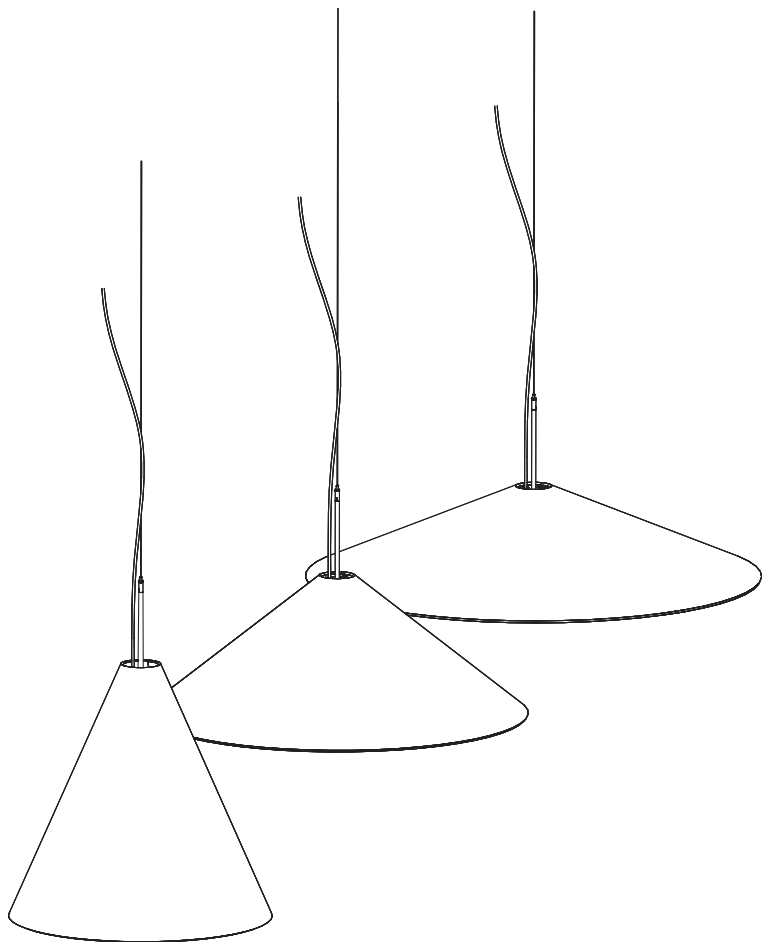


BuzziCone

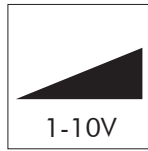
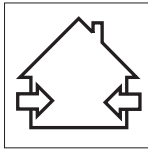
INSTALLATION MANUAL

MODE DE L'EMPLOI

100V-240V/277V

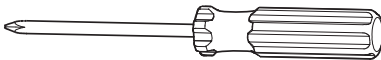
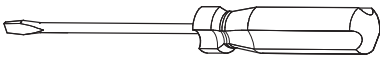


Technical info

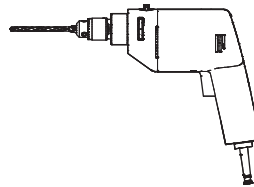
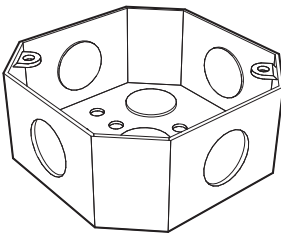


⚠ The light source of this luminaire is not replaceable; when the light source reaches its end of life the whole luminaire shall be replaced.

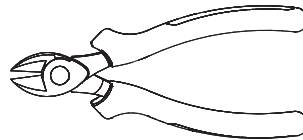
Excluded



2x 



1x 

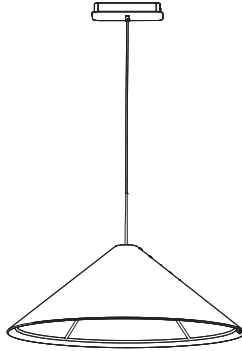


Included (separately)

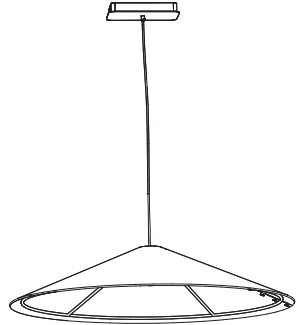
47



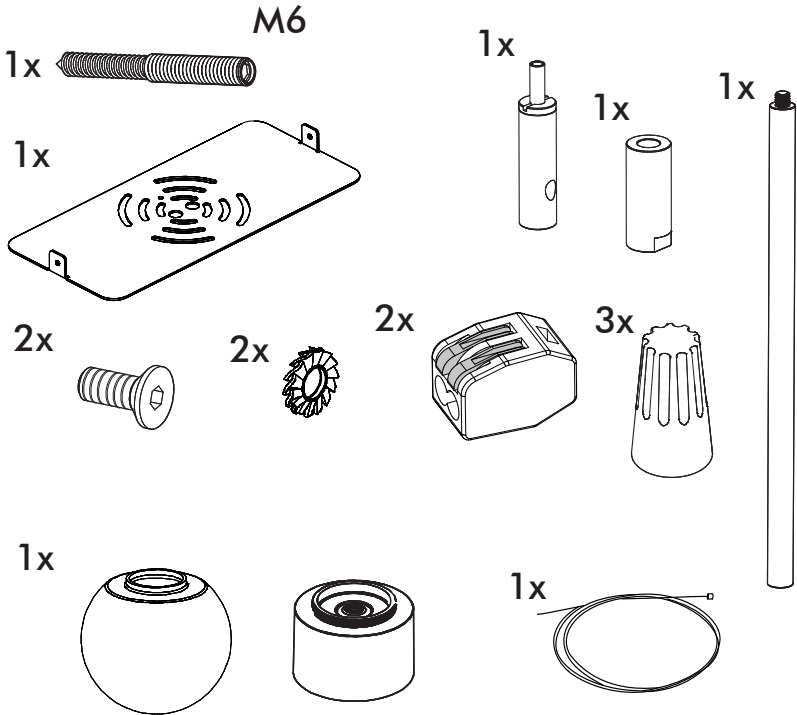
102



133



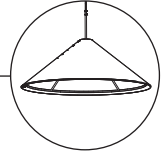
Included



Globe or Spot

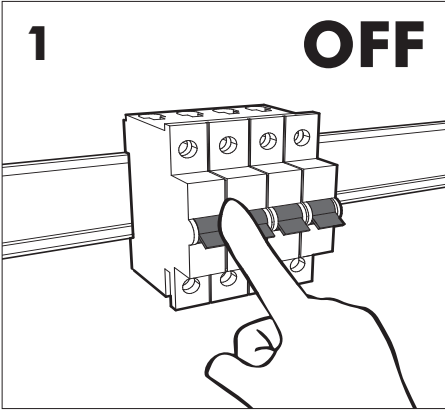
BuzziCone

2 PERS. 

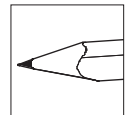
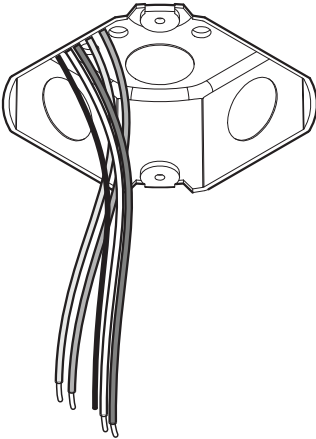


1

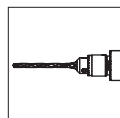
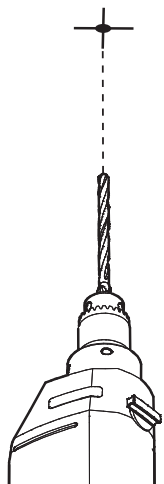
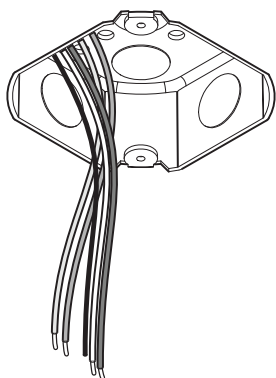
OFF



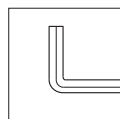
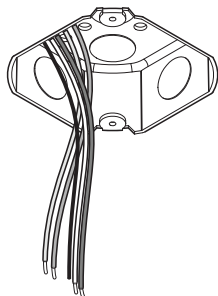
2

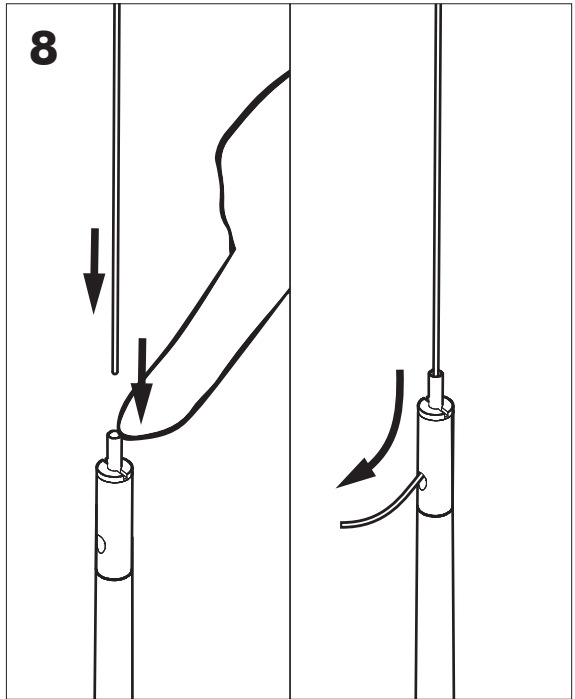
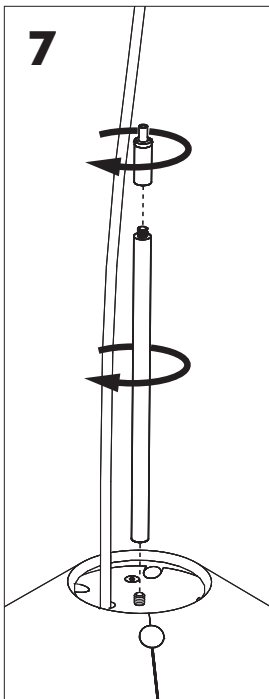
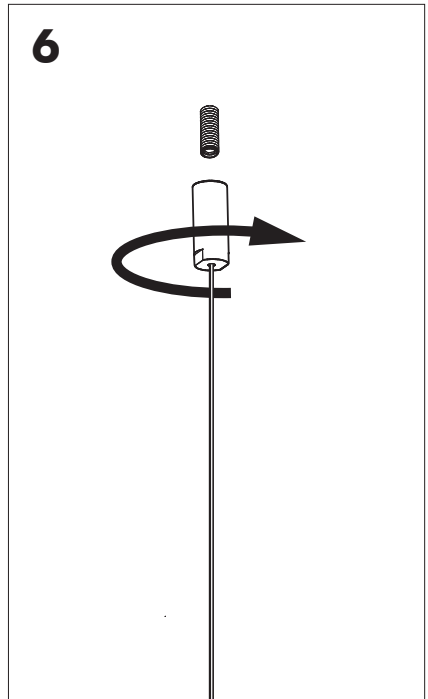
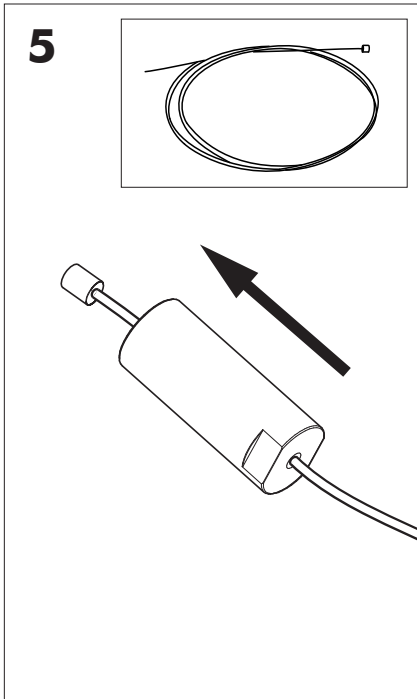


3

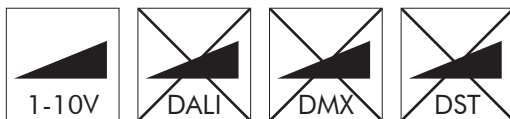


4

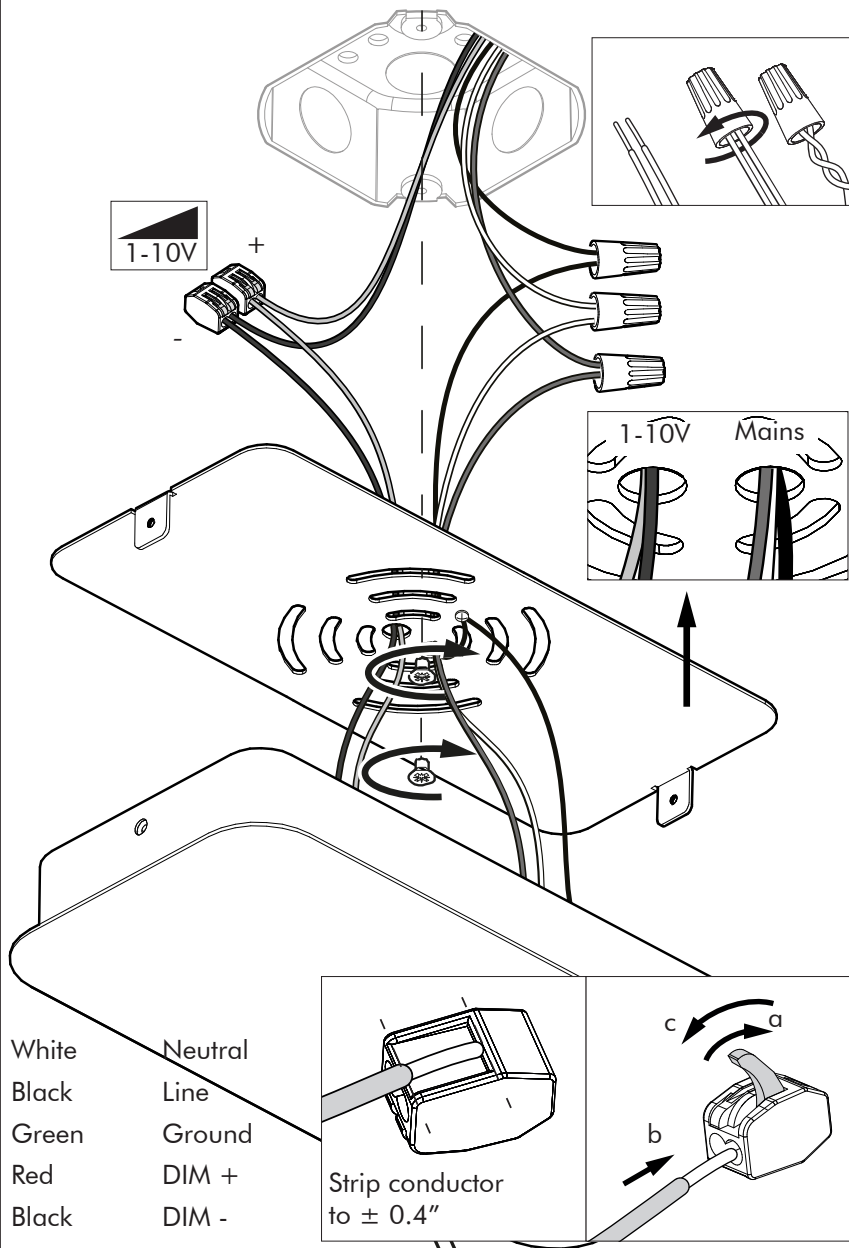




9a



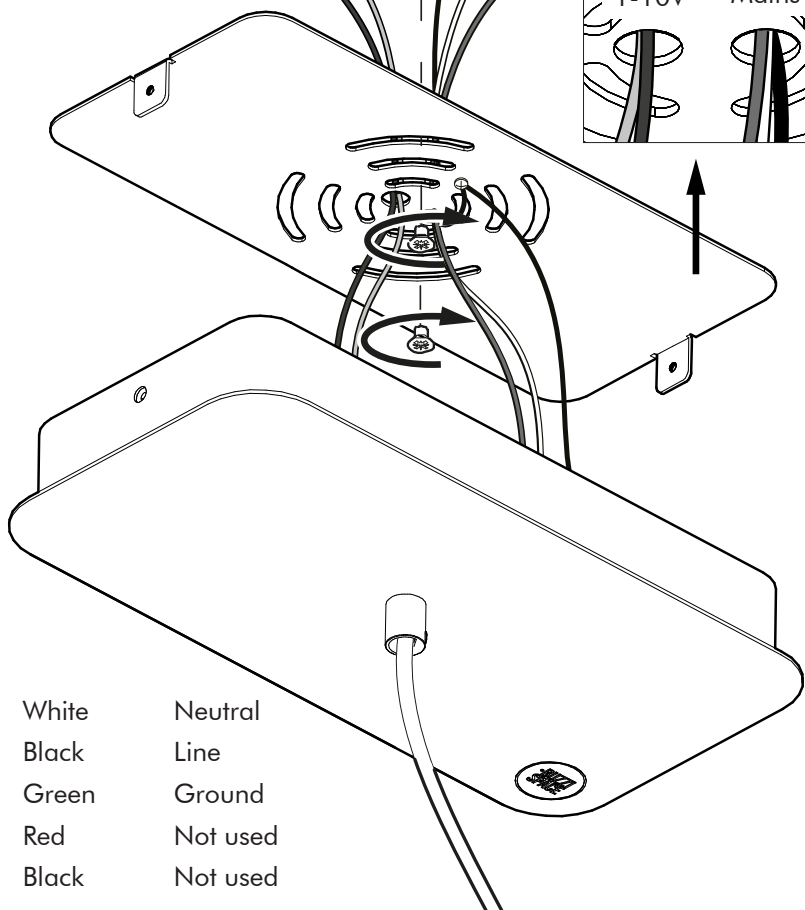
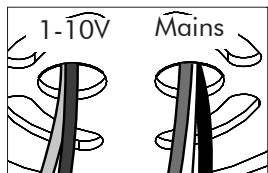
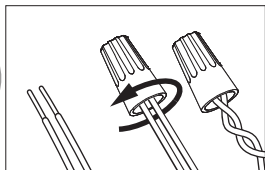
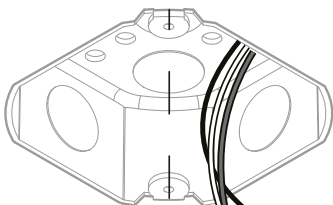
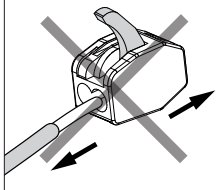
Connection including dimmable function



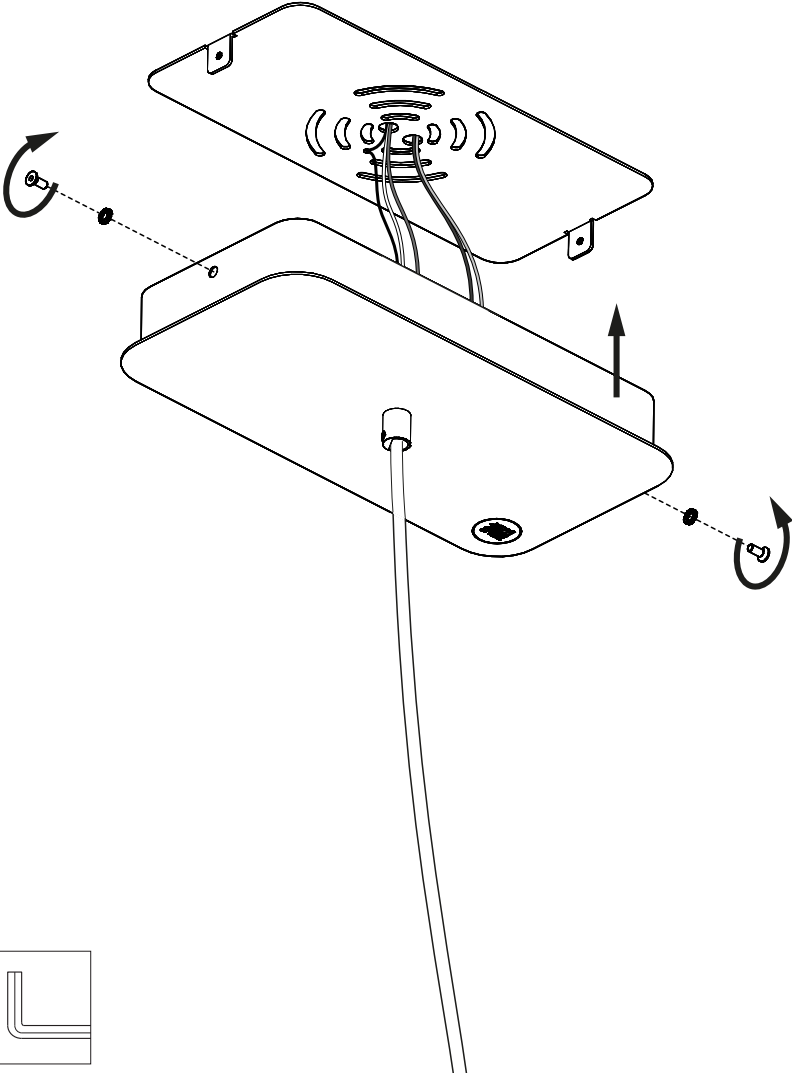
9b

Connection excluding dimmable function

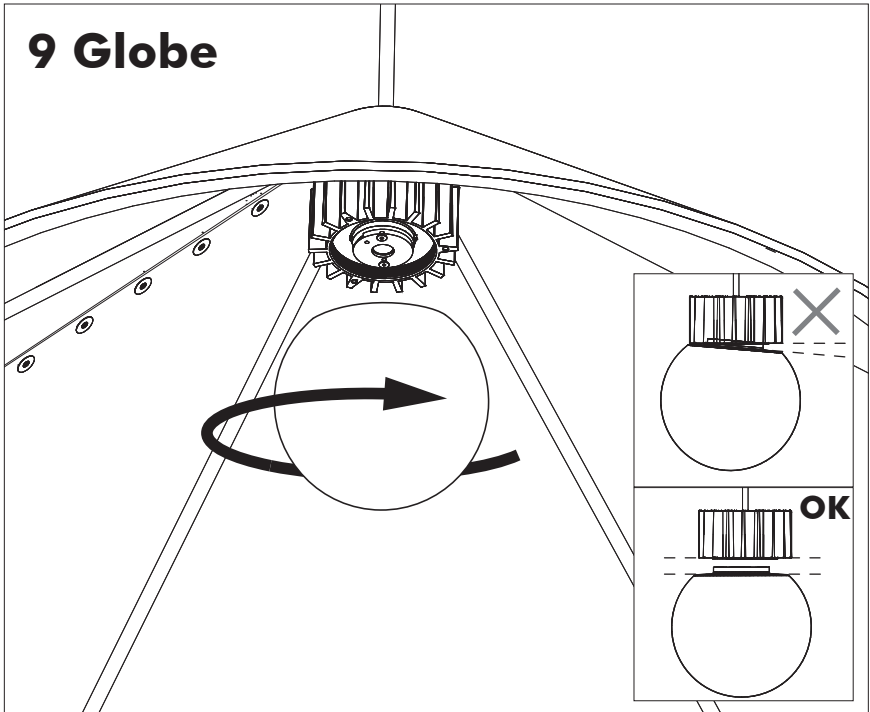
Do not remove!



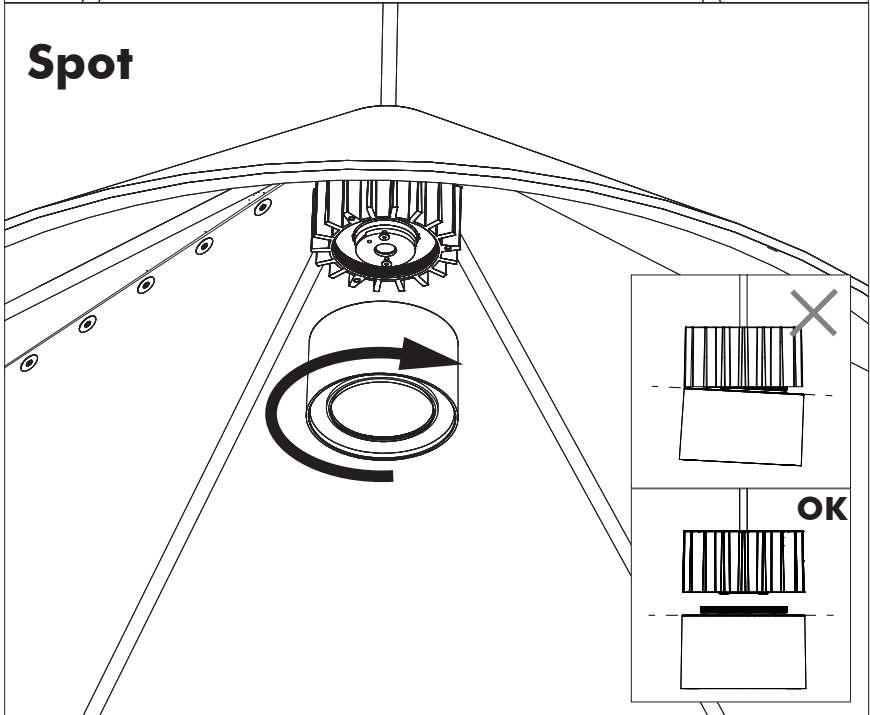
10



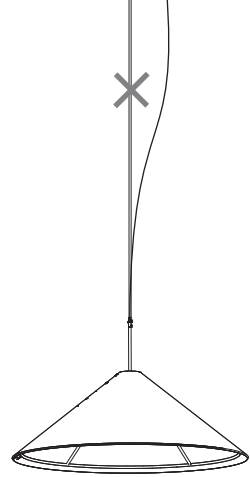
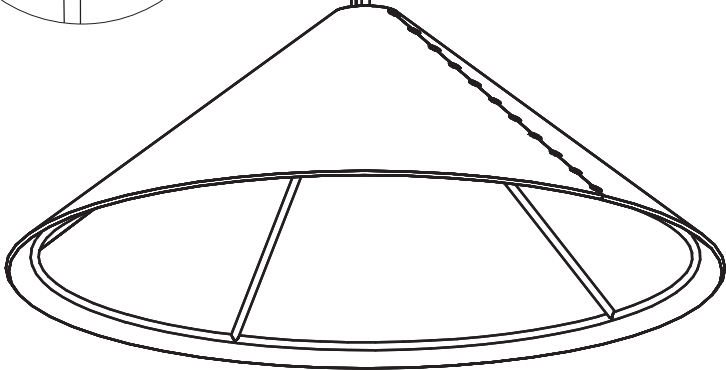
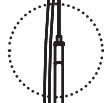
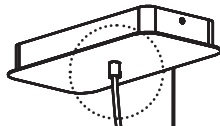
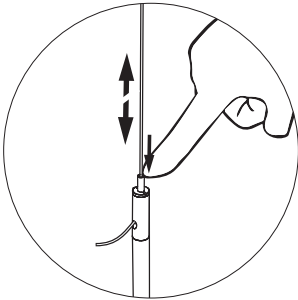
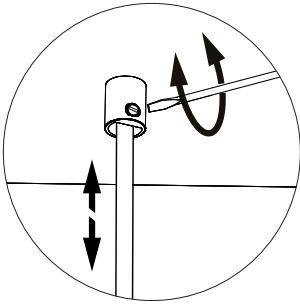
9 Globe



Spot



!



BuzziSpace Group NV
Italiëlei 8, 2000 Antwerp
Belgium

☎ +32 (0)3 846 10 00

✉ info@buzzi.space

🌐 www.buzzi.space



A-0000006981/03
Last update: 30/11/2023