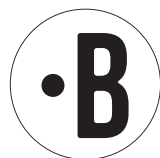
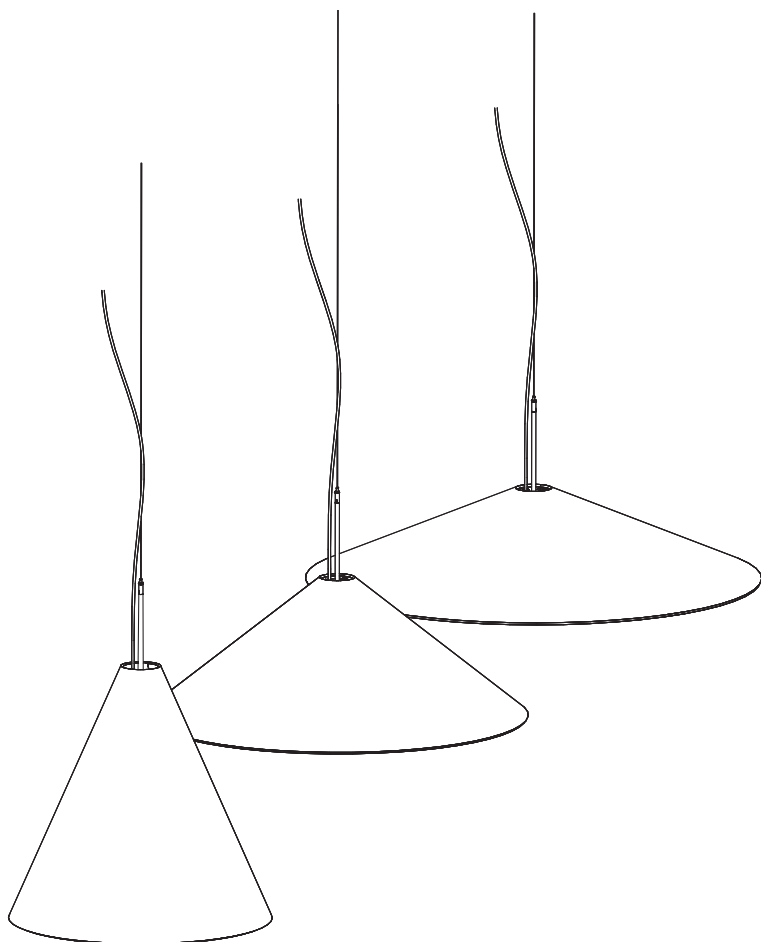


# BuzziCone Retrofit

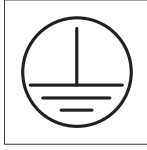
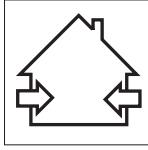
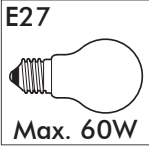
INSTALLATION MANUAL

220-240V



# Technical info

---

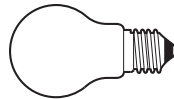
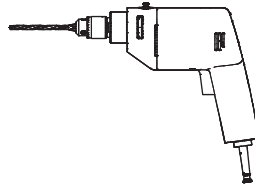
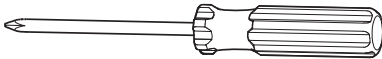
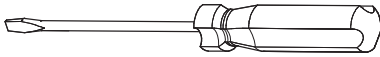


## Environmental Protection

Waste electrical products should not be disposed of with household waste. Please recycle where facilities exist. Check with your Local Authority or retailer for recycling advice.

## Excluded

---



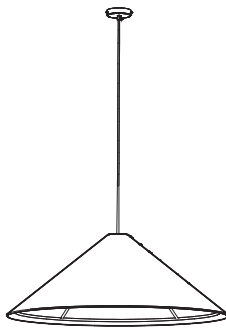
# Included (separately)

---

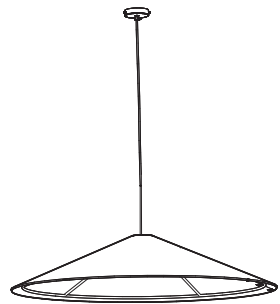
47



102



133



# Included

---

1x



1x



M6

1x



1x



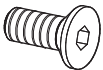
1x



1x



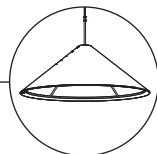
2x



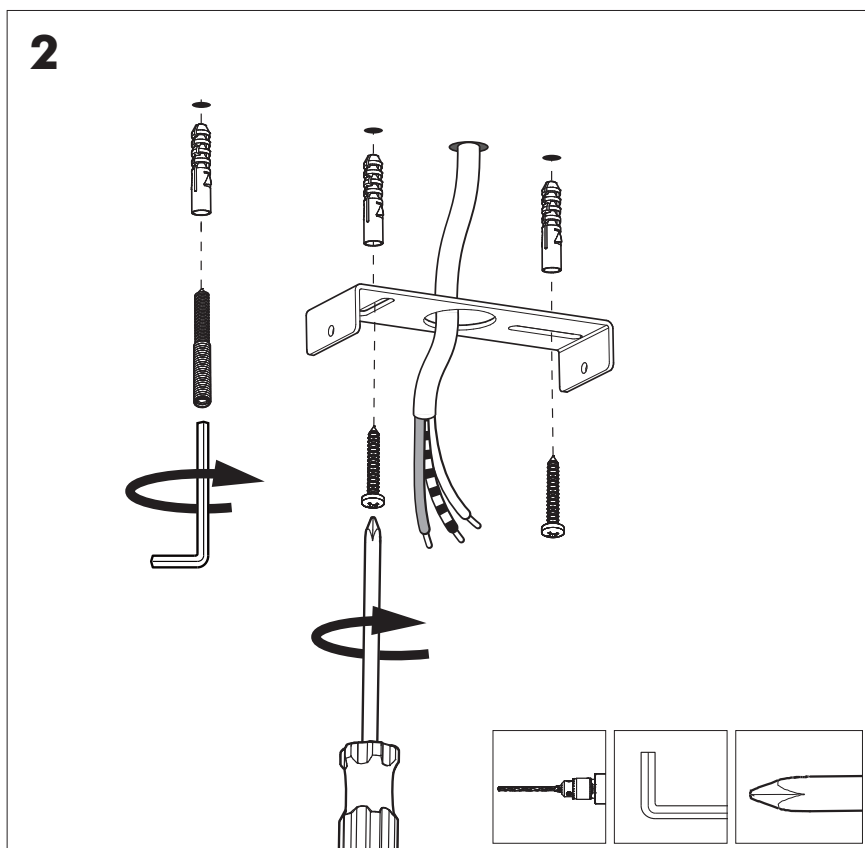
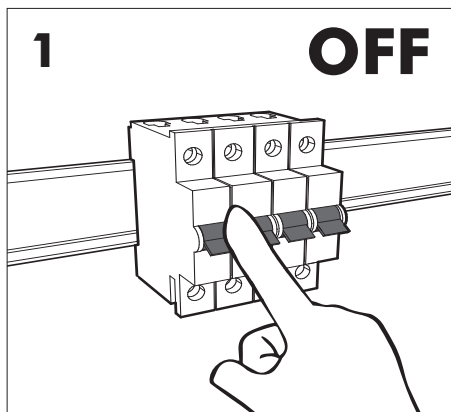
2x



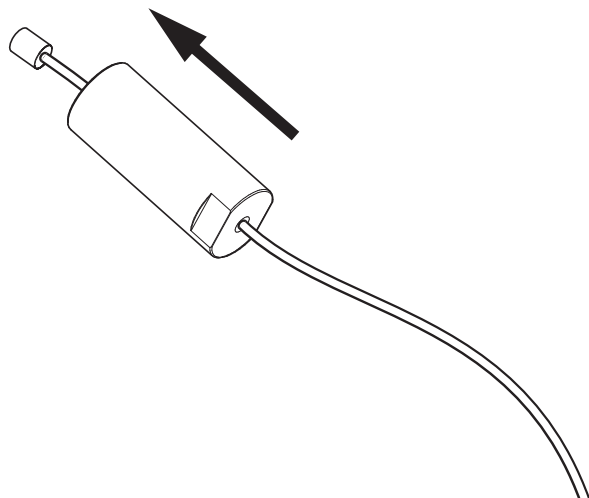
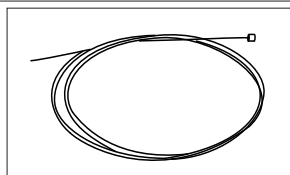
# BuzziCone Retrofit



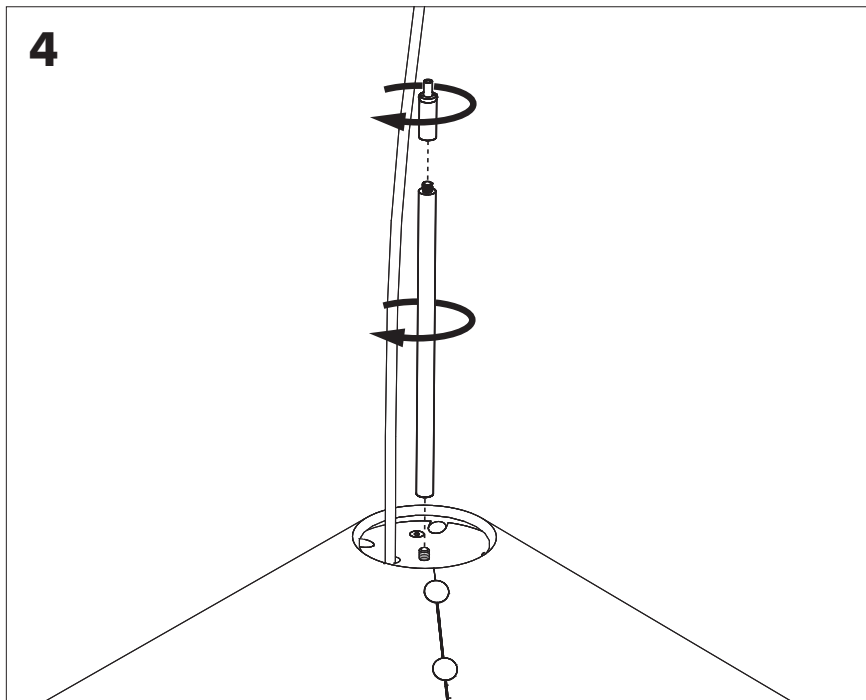
2 PERS. 

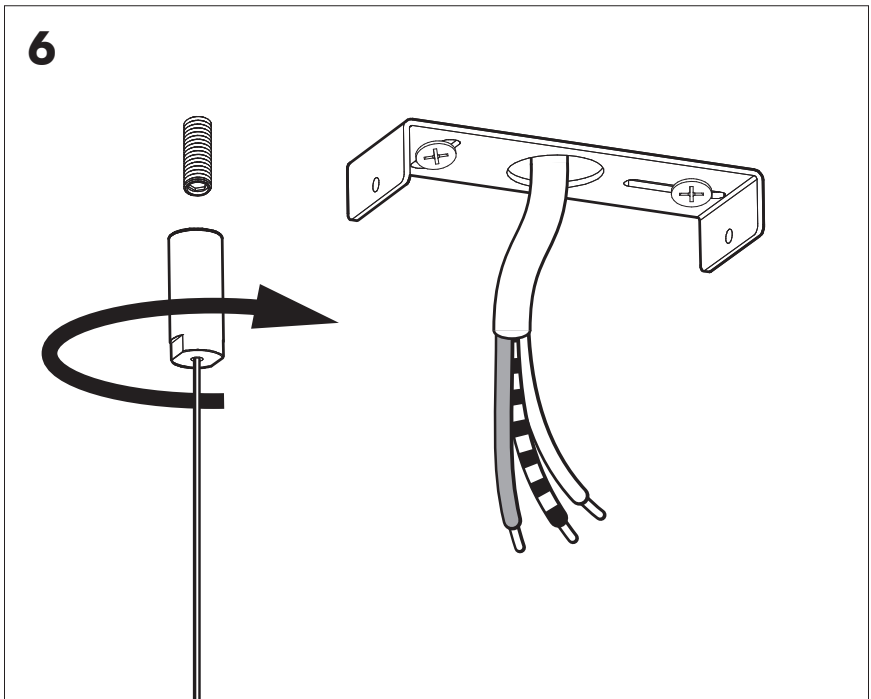
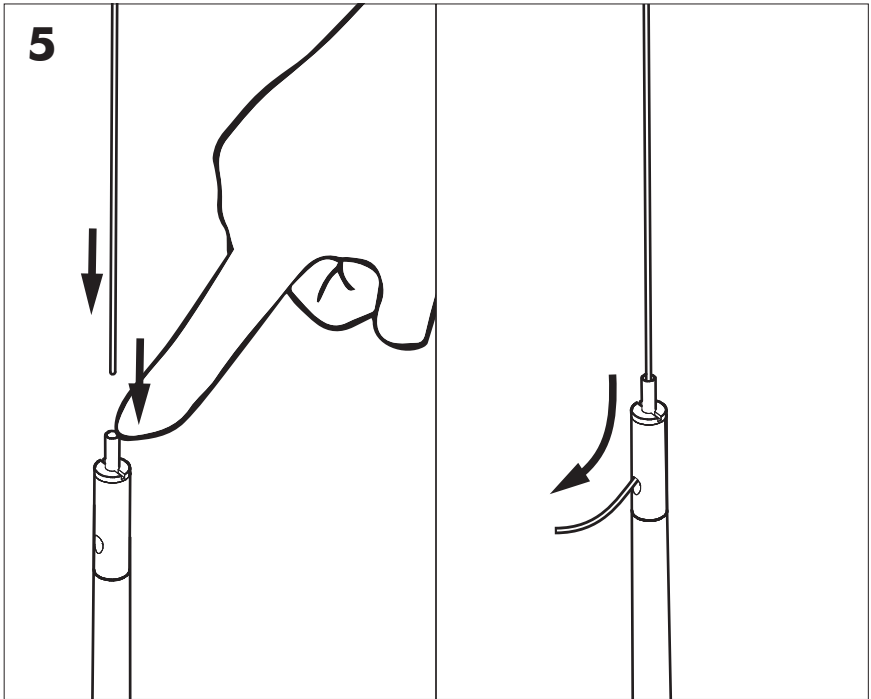


**3**

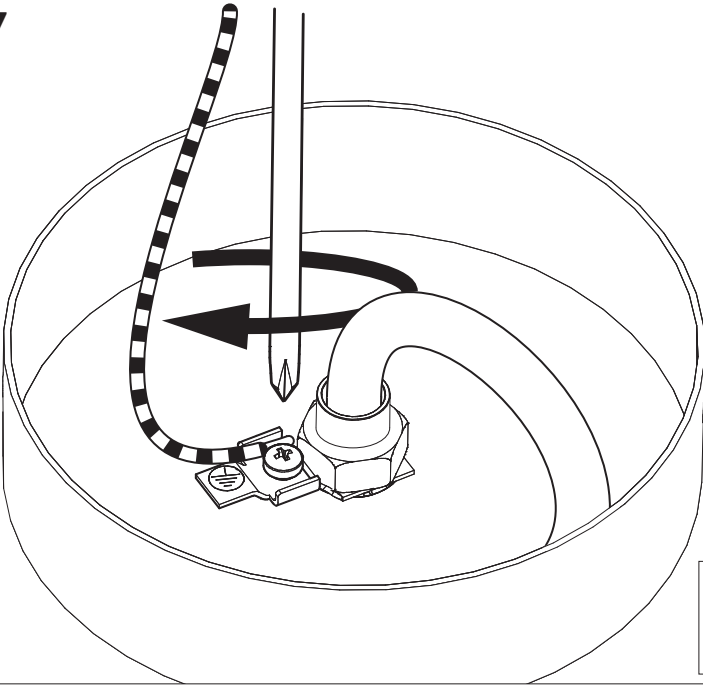


**4**

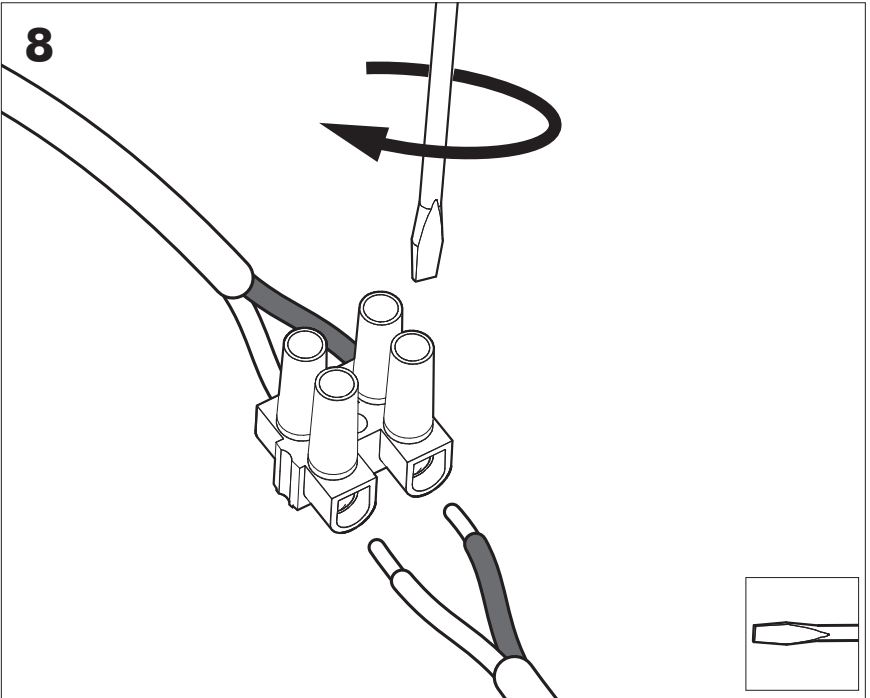




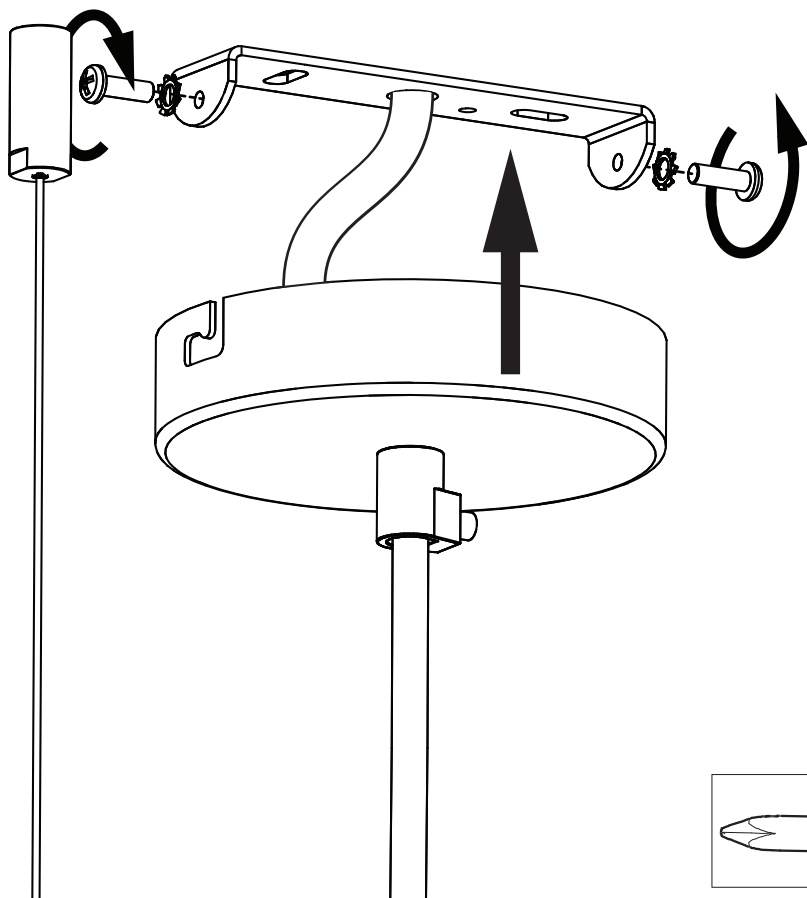
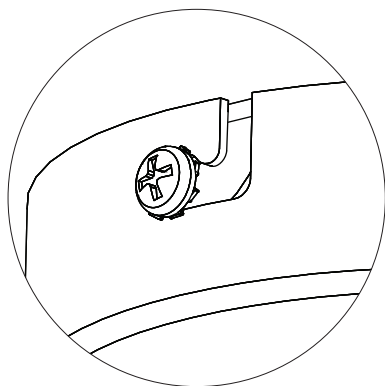
7



8

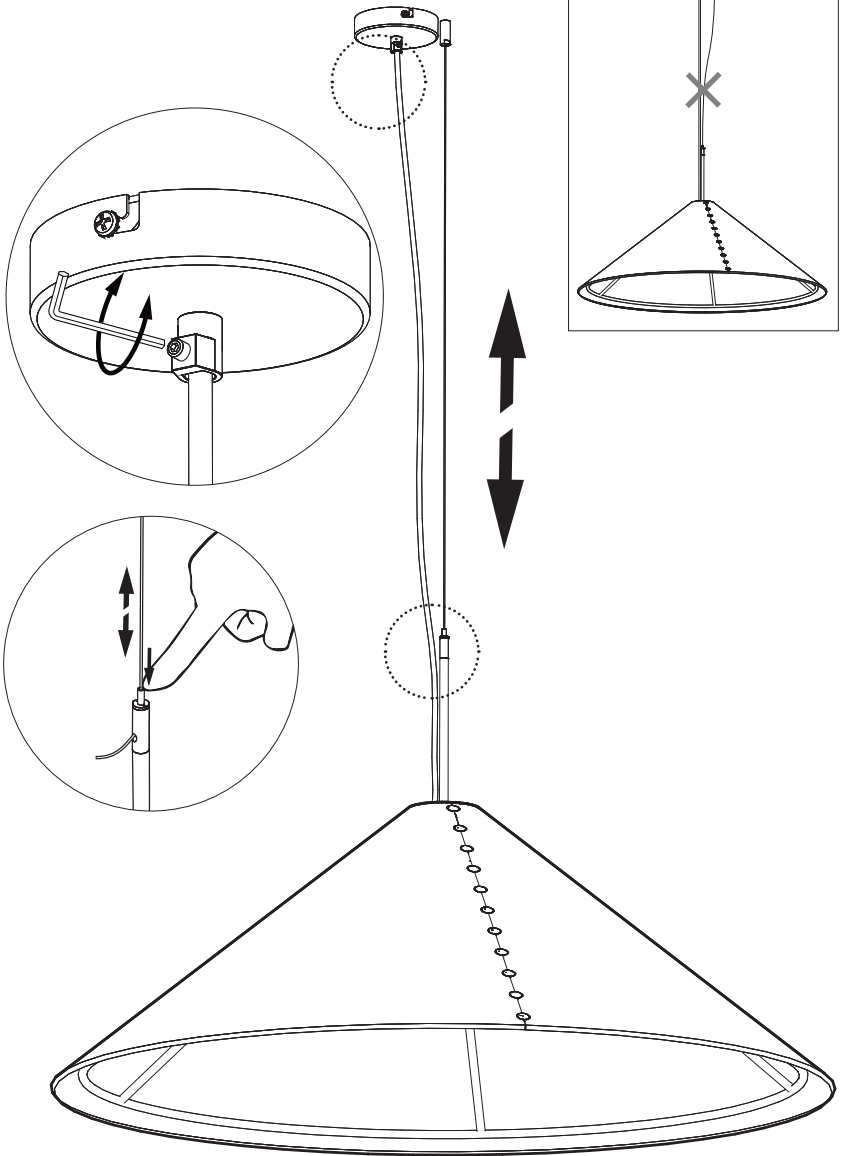


9

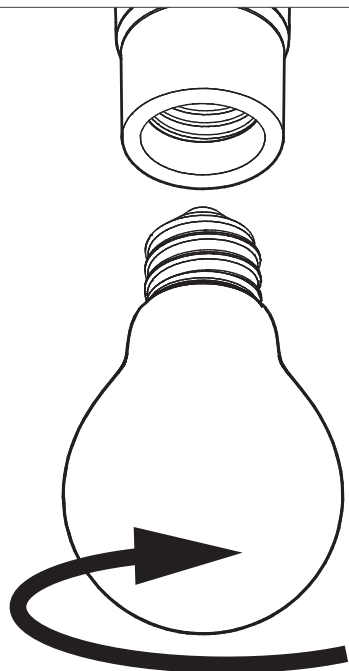




10



**11**





BuzziSpace Group NV  
Italiëlei 8, 2000 Antwerp  
Belgium

☎ +32 (0)3 846 10 00

✉ [info@buzzi.space](mailto:info@buzzi.space)

🌐 [www.buzzi.space](http://www.buzzi.space)



A-0000007480/01  
Last update: 30/11/2023