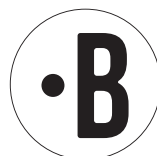
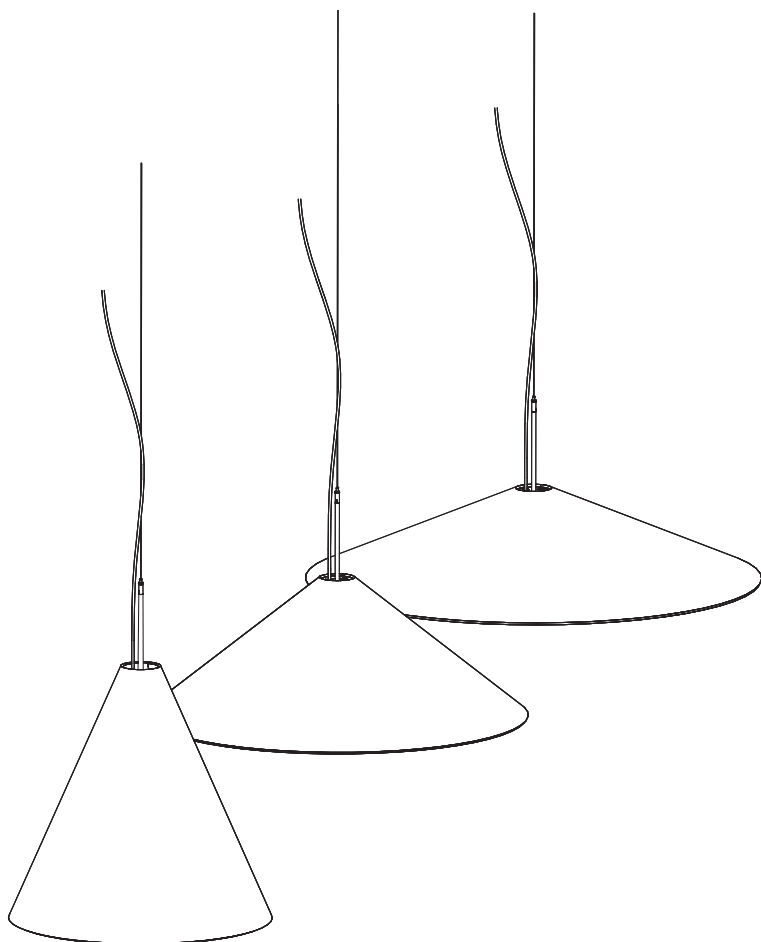


BuzziCone Retrofit

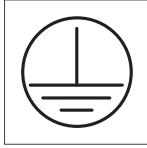
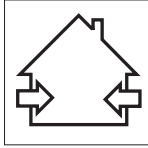
INSTALLATION MANUAL

MODE DE L'EMPLOI

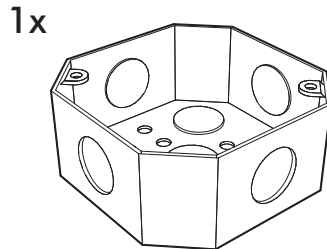
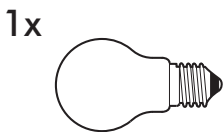
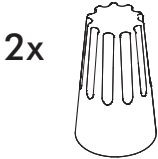
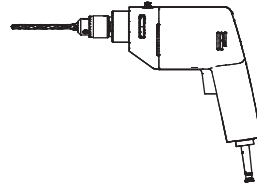
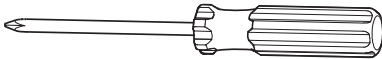
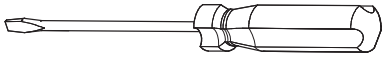
110V - 120V



Technical info



Excluded

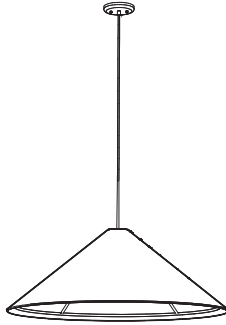


Included (separately)

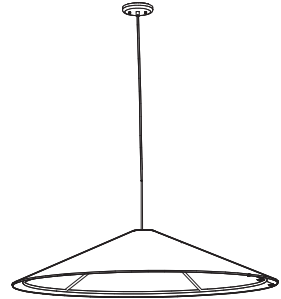
47



102

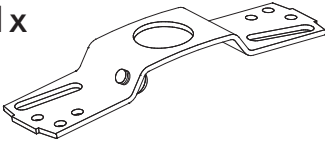


133



Included

1x



M6

1x



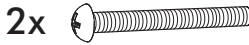
2x



2x



2x



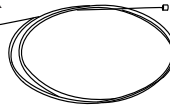
1x



1x



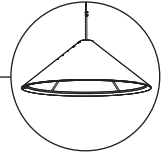
1x



1x



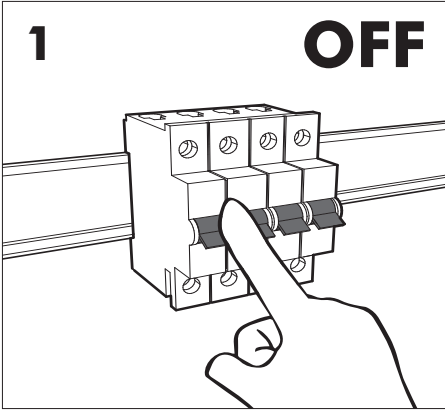
BuzziCone Retrofit



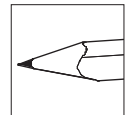
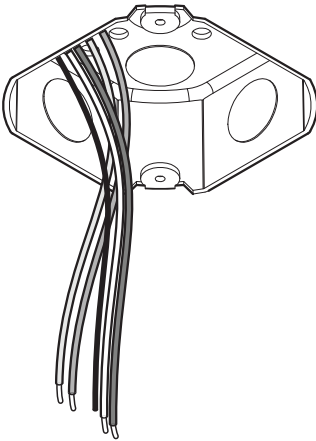
2 PERS. 

1

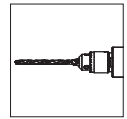
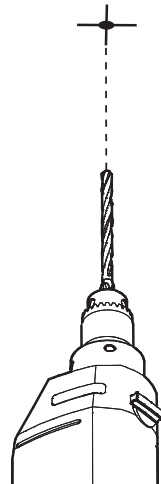
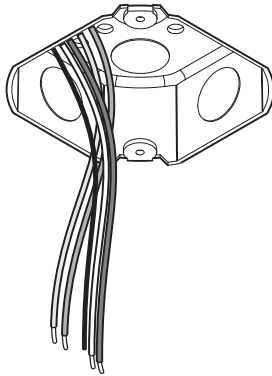
OFF



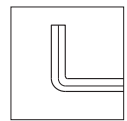
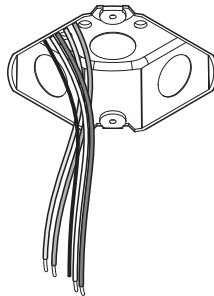
2



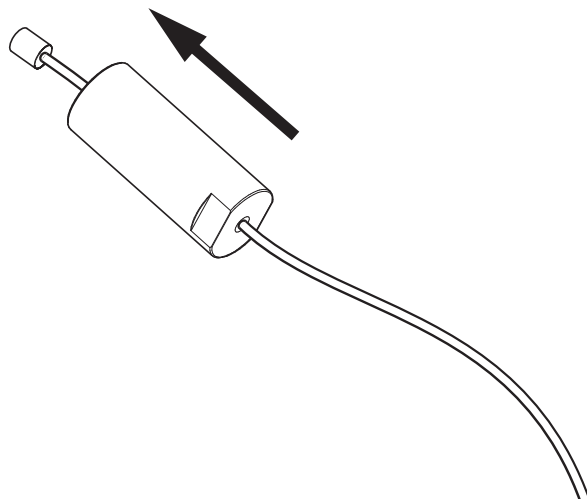
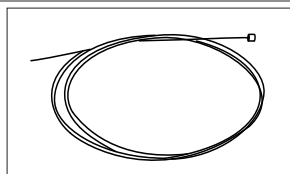
3



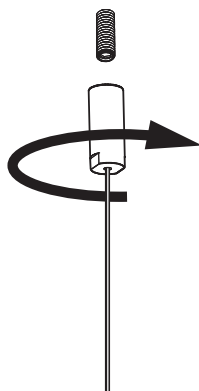
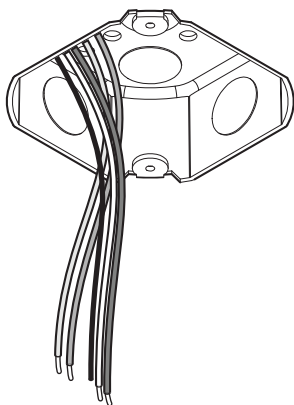
4



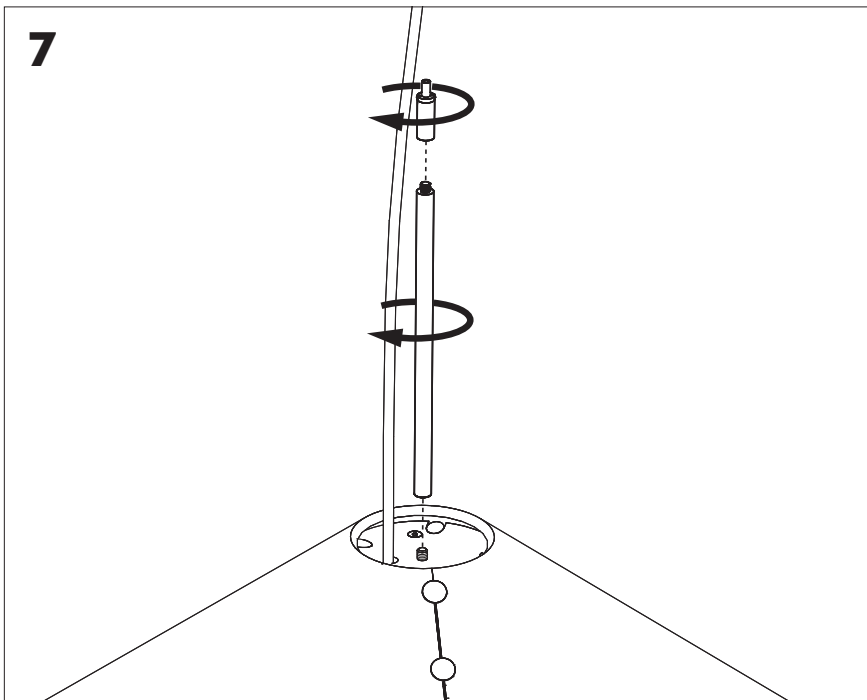
5



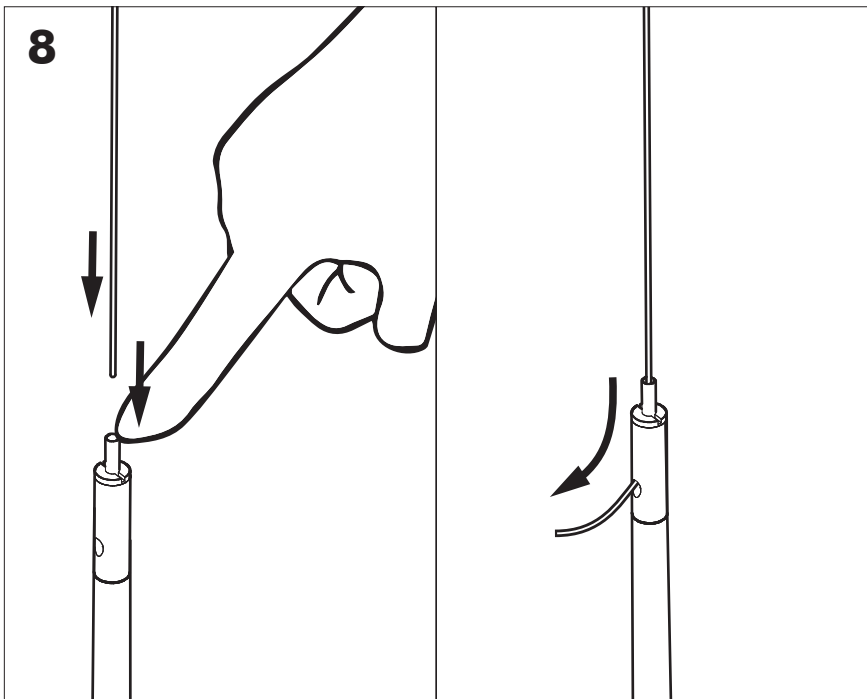
6



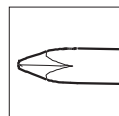
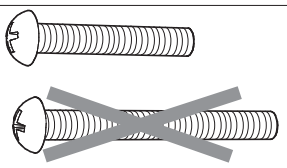
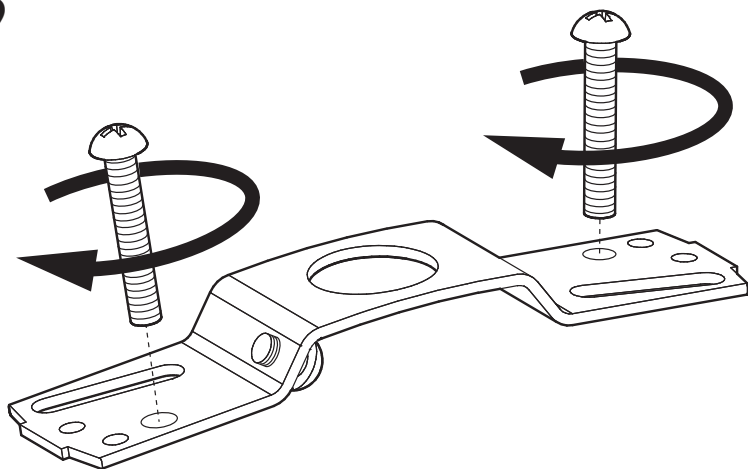
7



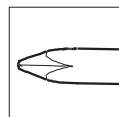
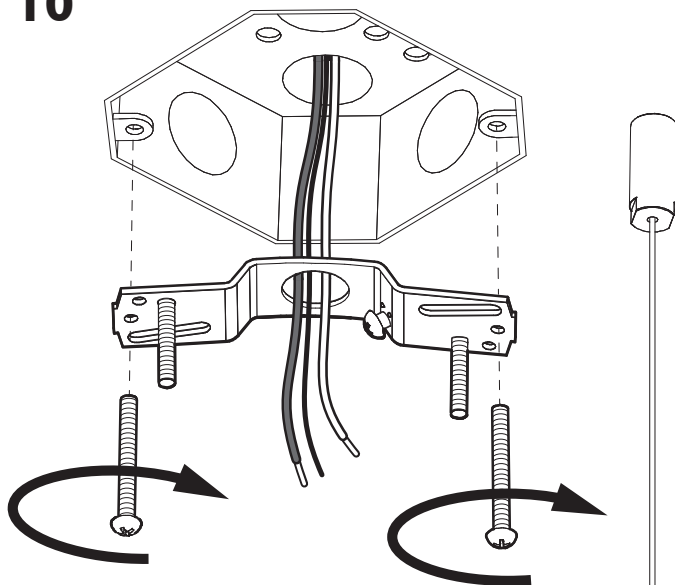
8



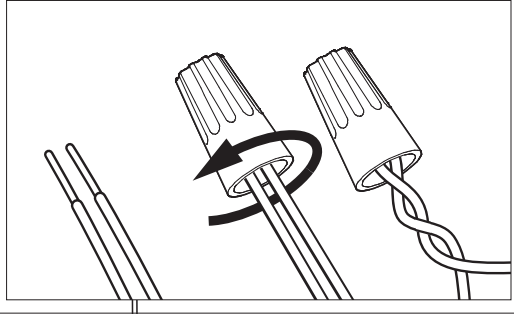
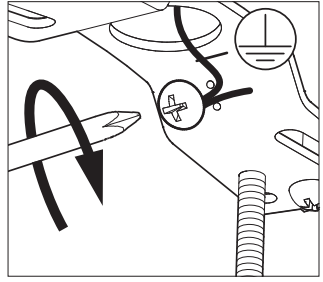
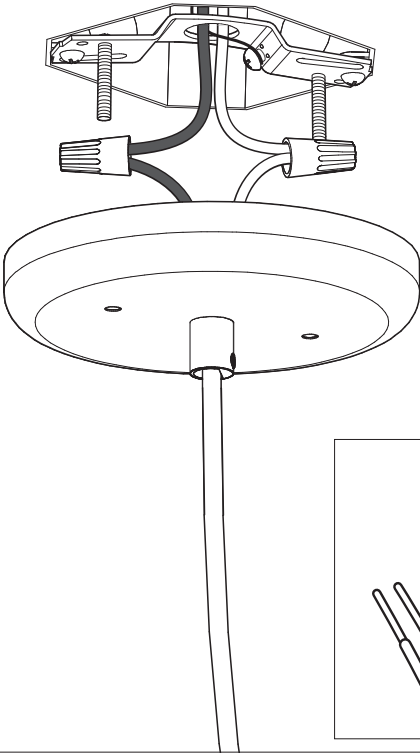
9



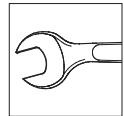
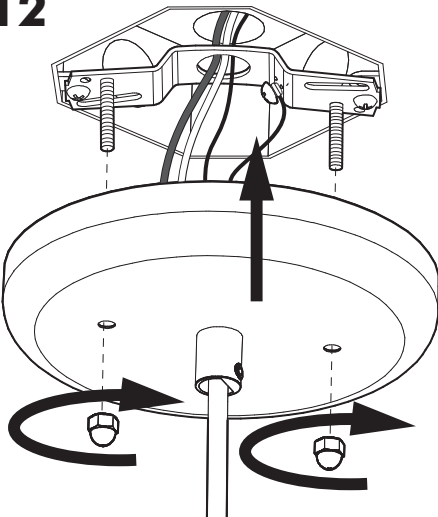
10



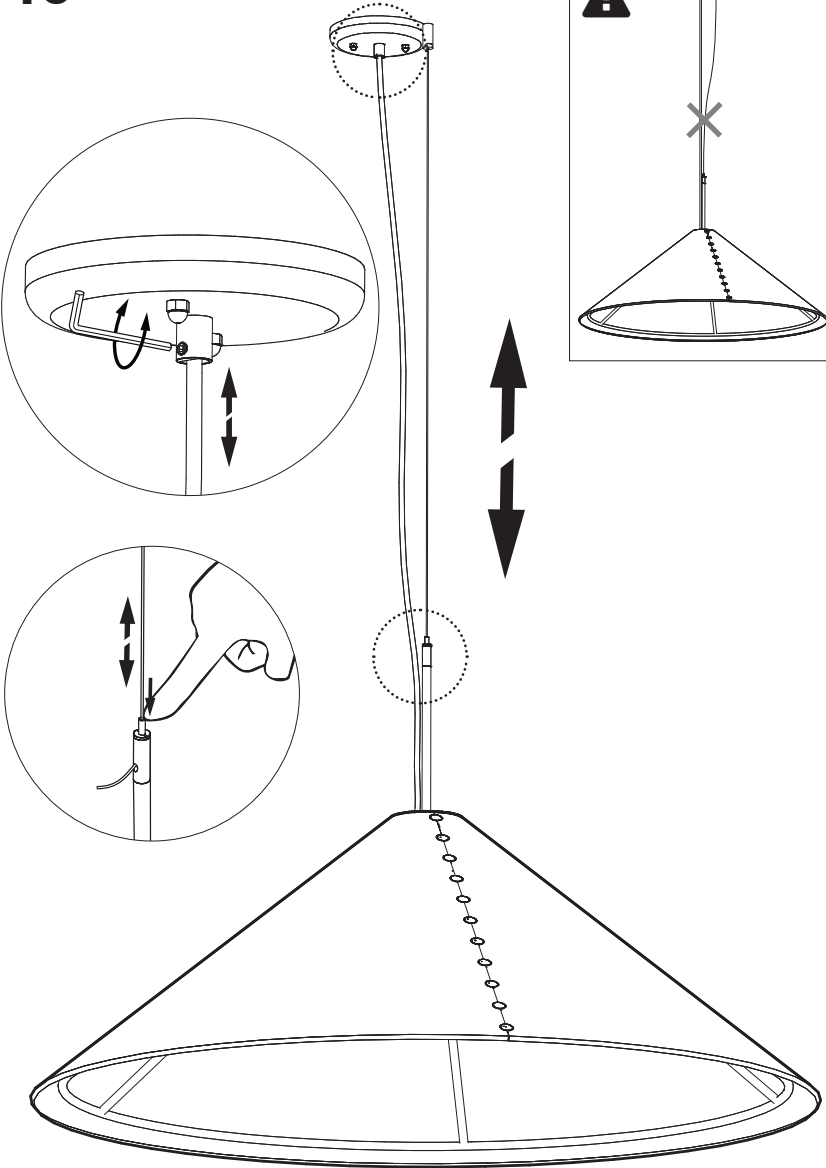
11



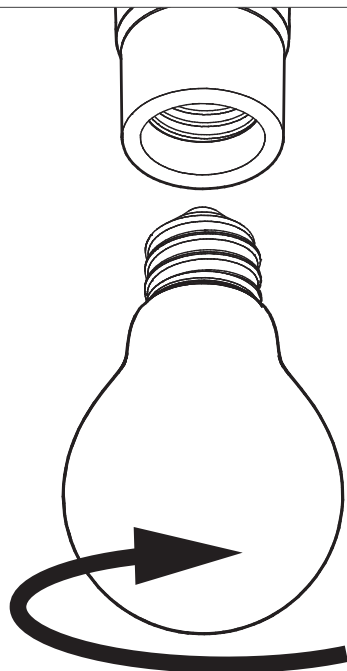
12



13



14



BuzziSpace Group NV
Italiëlei 8, 2000 Antwerp
Belgium

☎ +32 (0)3 846 10 00

✉ info@buzzi.space

🌐 www.buzzi.space



A-0000007481/01
Last update: 24/03/2022