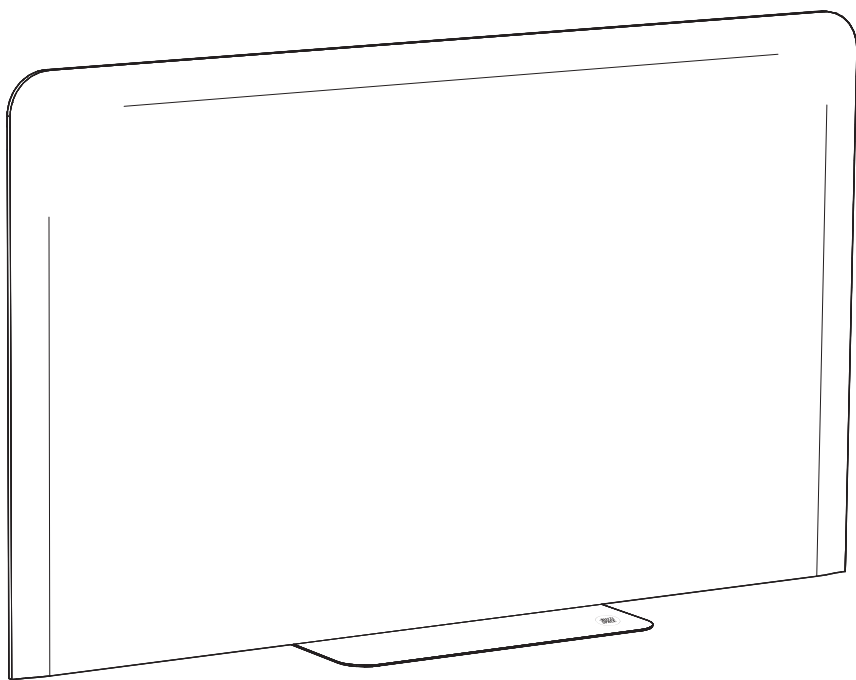


# BuzziFree

## INSTALLATION MANUAL

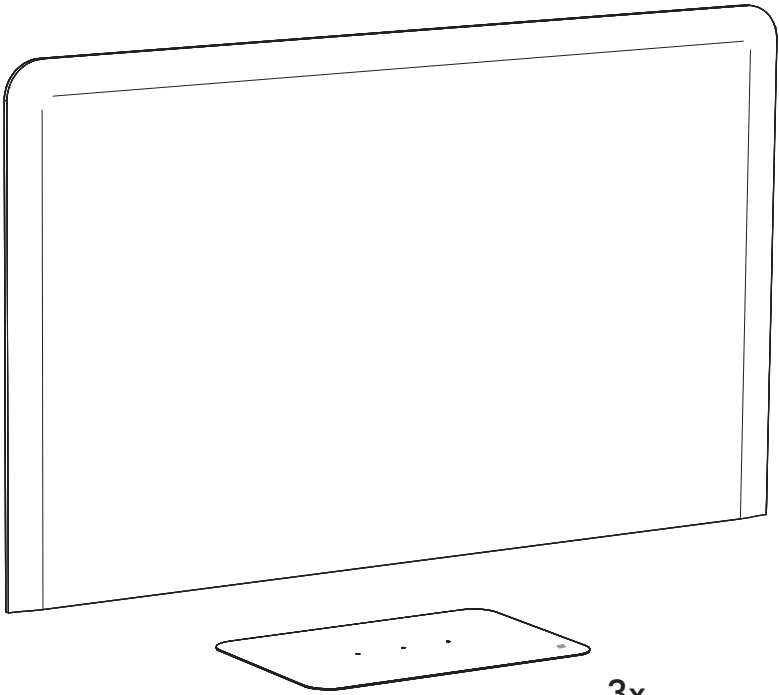
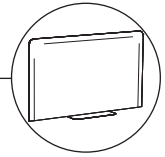


## Excluded

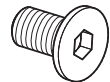
---



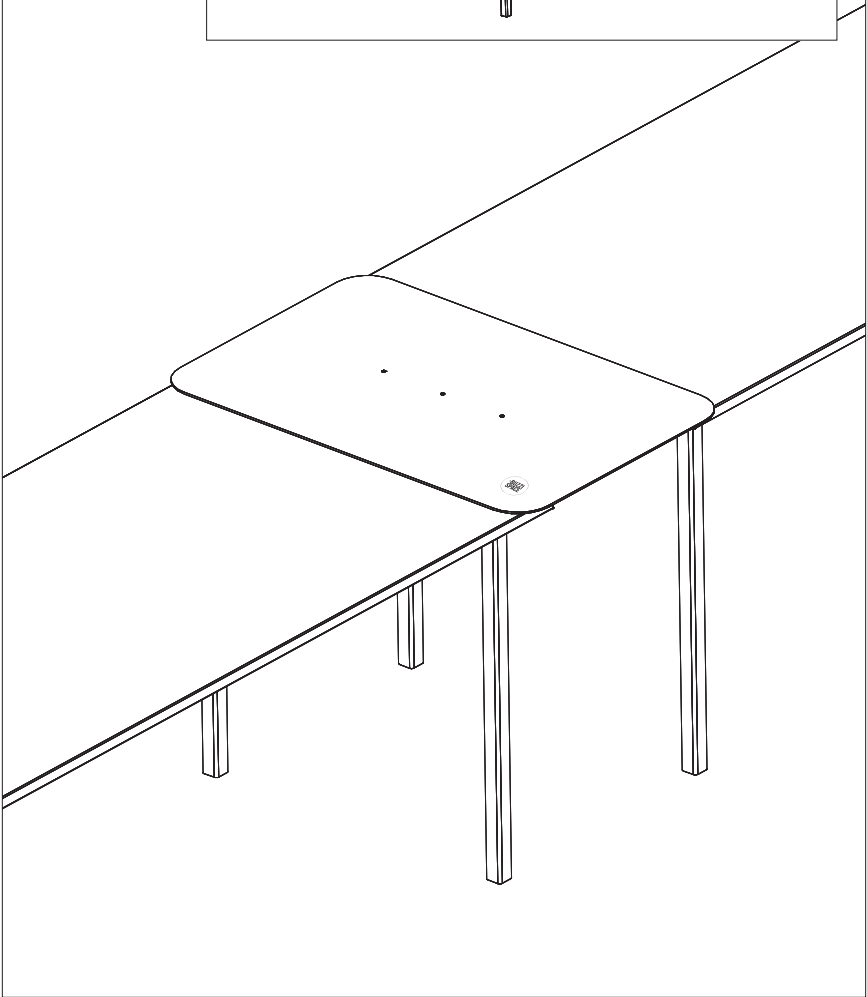
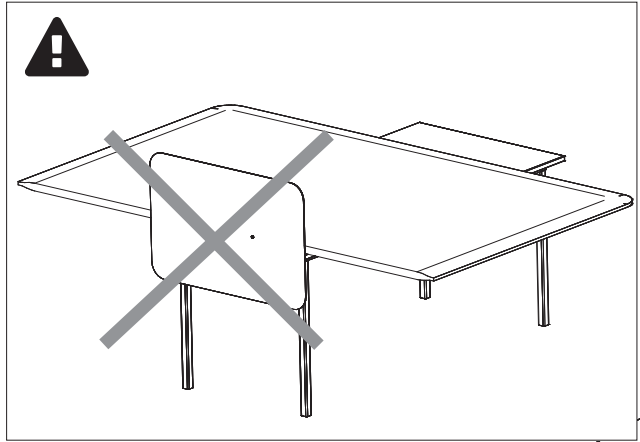
## Included BuzziFree



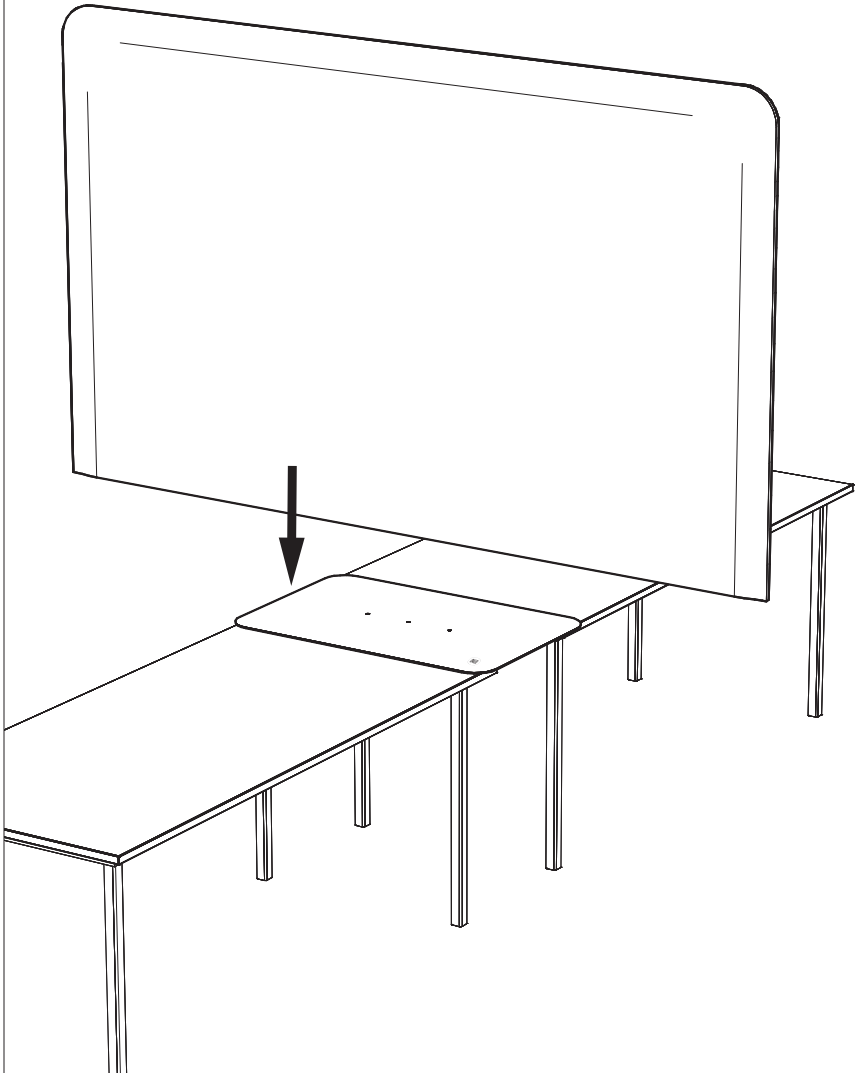
3x



1

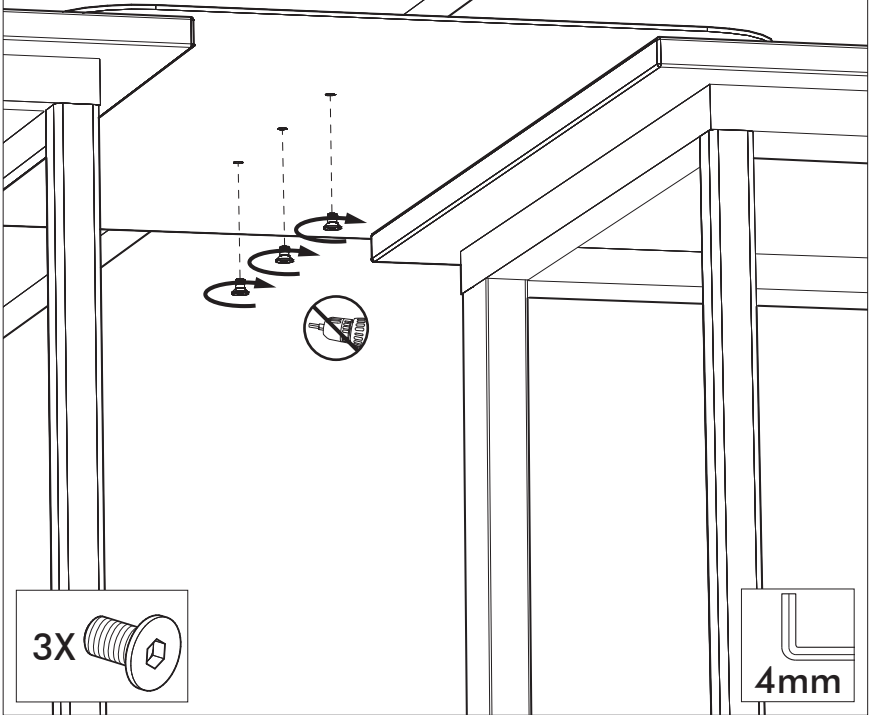
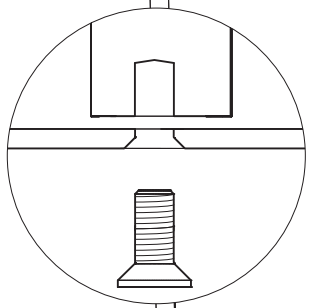


**2**

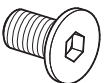


**4**

**3**



**3X**



**4mm**



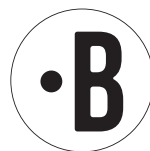


**BuzziSpace Group NV**  
Italiëlei 8, 2000 Antwerp  
Belgium

☎ +32 (0)3 846 10 00

✉ [info@buzzi.space](mailto:info@buzzi.space)

🌐 [www.buzzi.space](http://www.buzzi.space)



**Doc nr.: A-0000001699/01**  
**Last update: 01/12/2023**