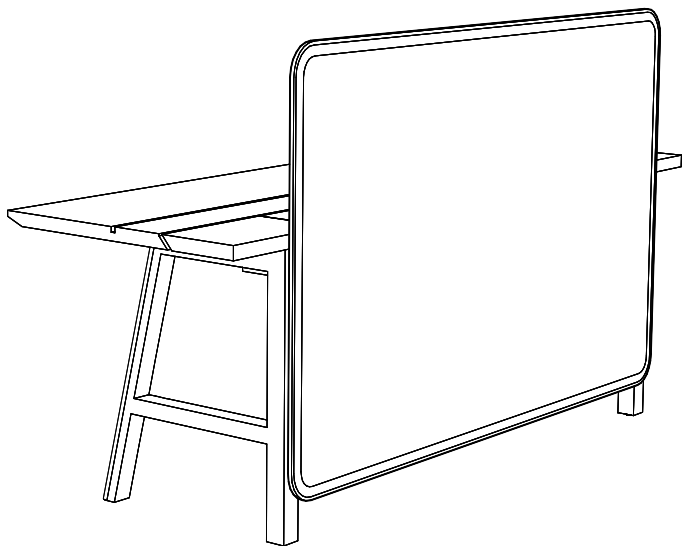
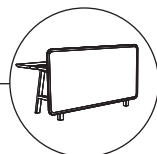


BuzziFrontDesk

INSTALLATION MANUAL



BuzziFrontDesk

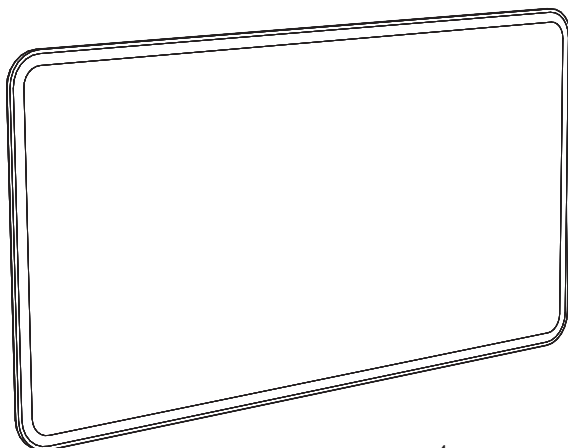


1 PERS. 

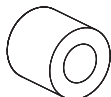
Excl.



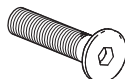
Incl.



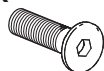
4x



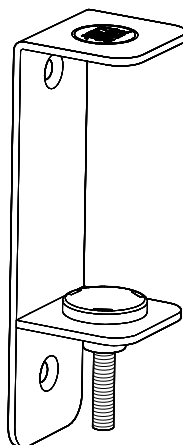
4x



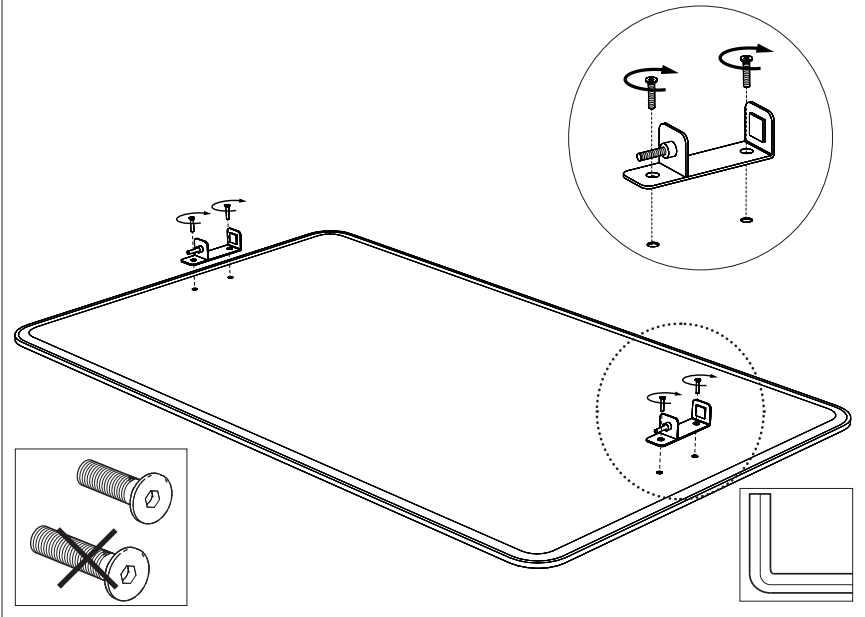
4x



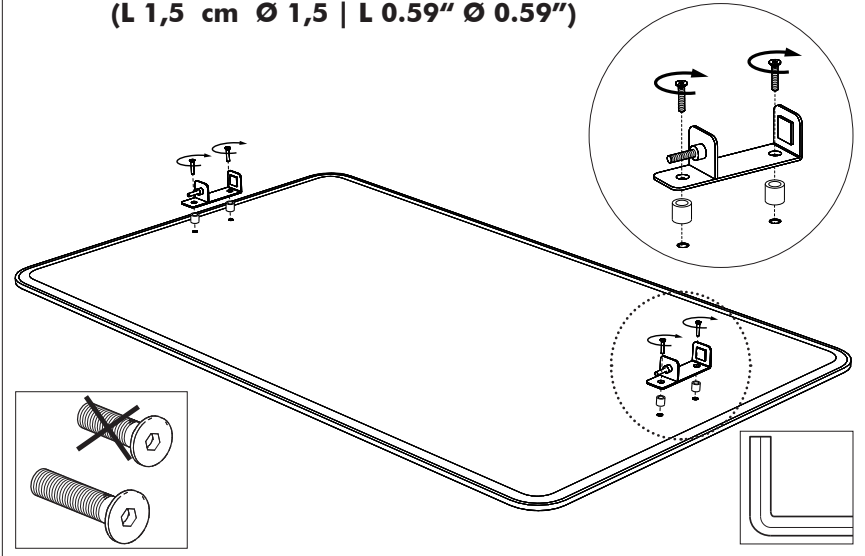
2x



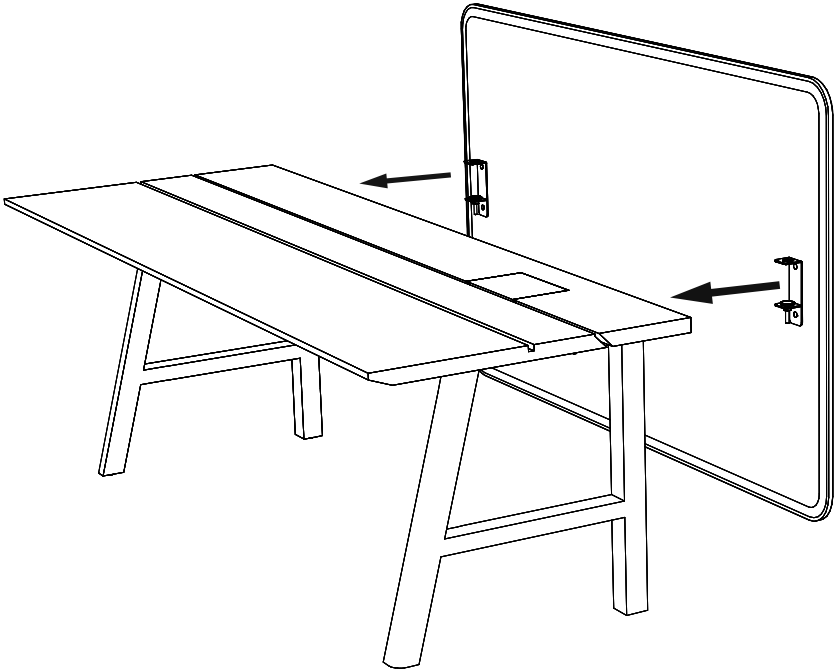
1A Please use the correct fix according your worktop thickness.



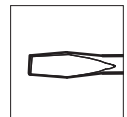
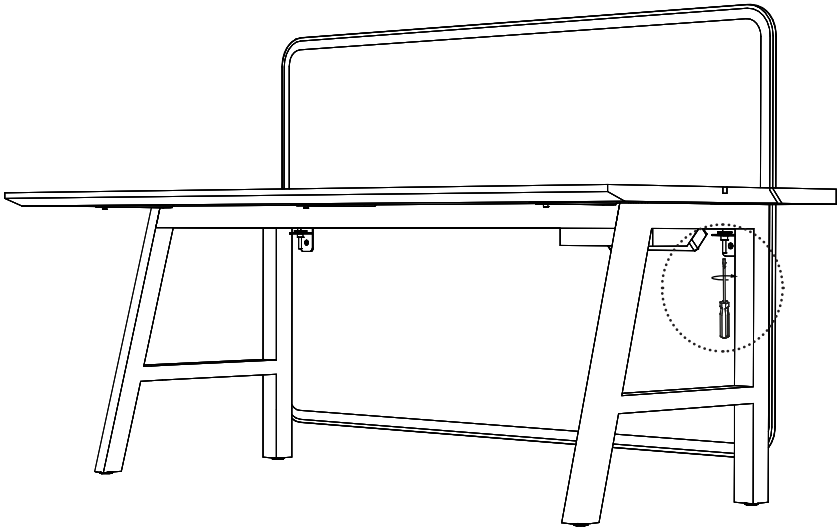
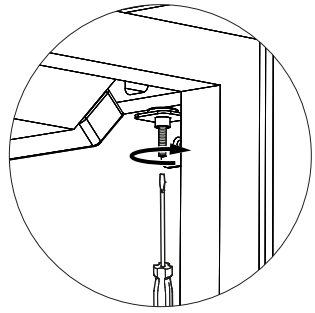
1B Please use the correct fix according your worktop thickness.
Additional distance holders can be mounted on front side to provide space for electrical cables etc.
(L 1,5 cm Ø 1,5 | L 0.59" Ø 0.59")



2



3

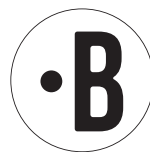


BuzziSpace Group NV
Italiëlei 8, 2000 Antwerp
Belgium

☎ +32 (0)3 846 10 00

✉ info@buzzi.space

🌐 www.buzzi.space



Doc nr.: A-0000002304/02

Last update: 01/12/2023