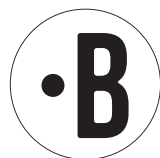
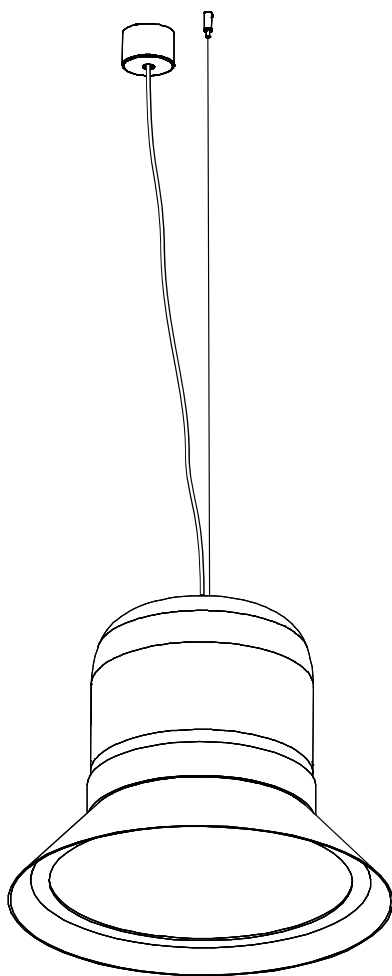


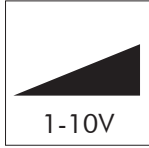
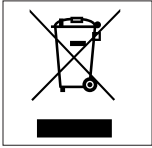
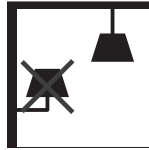
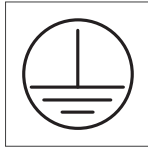
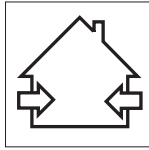
BuzziHat

INSTALLATION MANUAL

230V



Technical info



OR

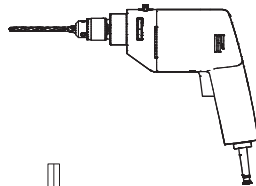
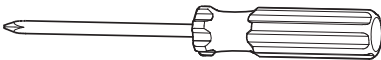
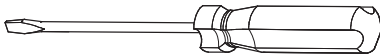


Environmental Protection

Waste electrical products should not be disposed of with household waste. Please recycle where facilities exist. Check with your Local Authority or retailer for recycling advice.

⚠ The light source of this luminaire is not replaceable; when the light source reaches its end of life the whole luminaire shall be replaced.

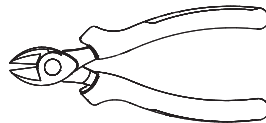
Excluded



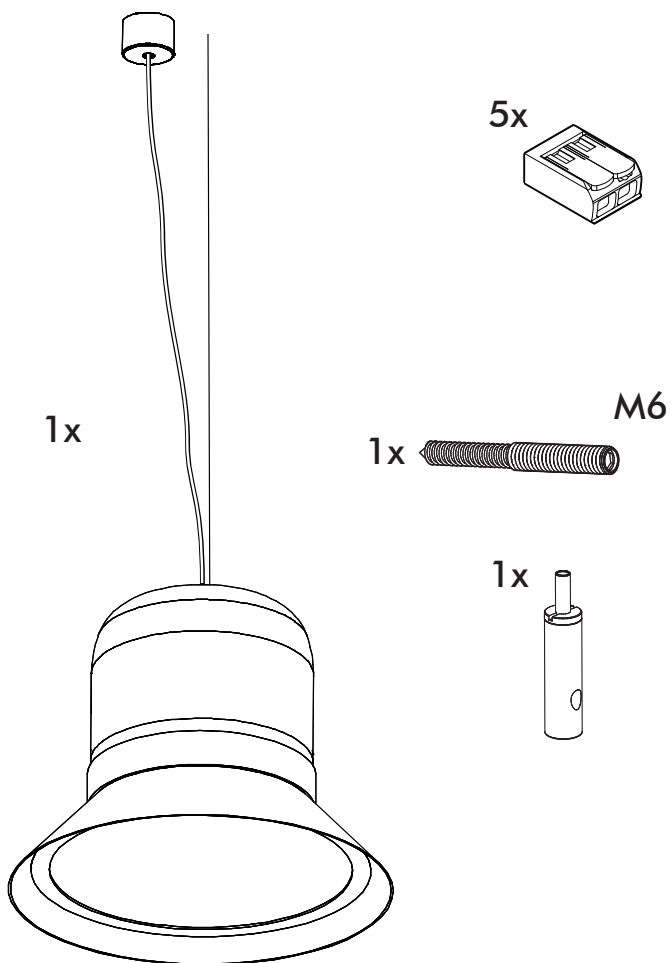
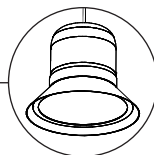
3x



2x

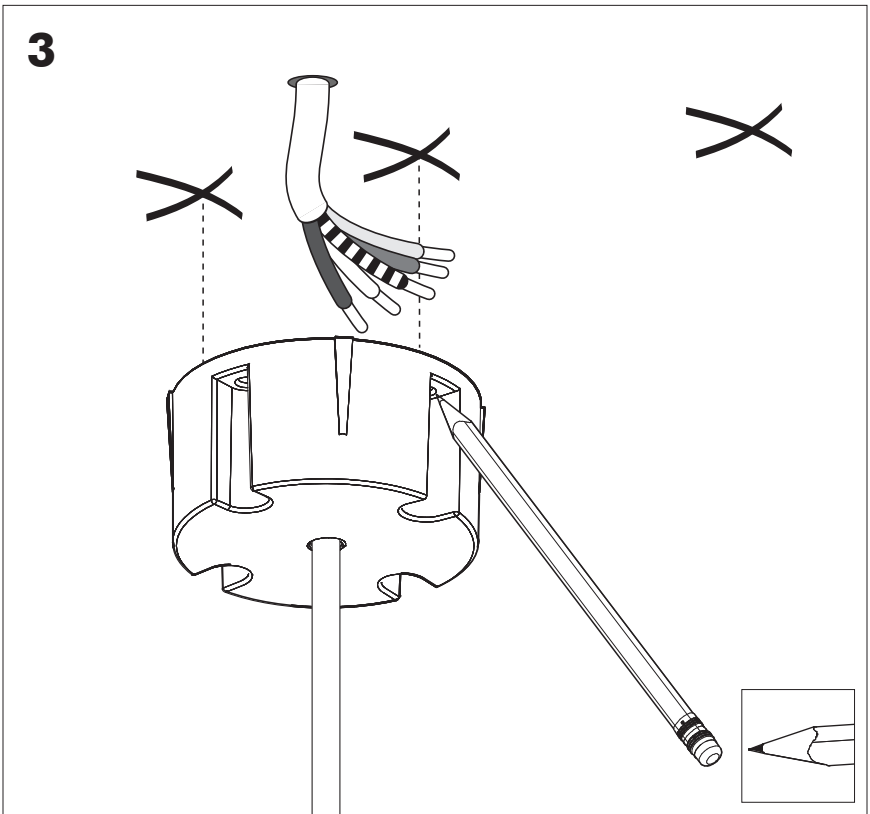
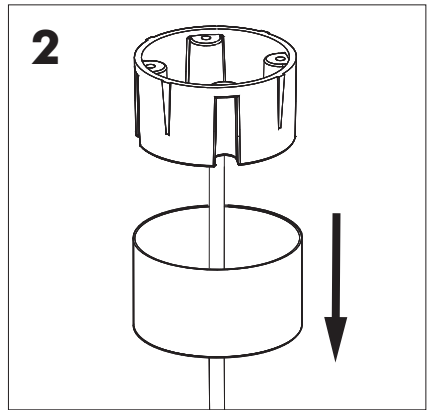
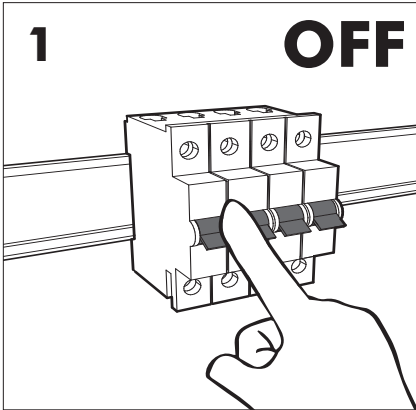
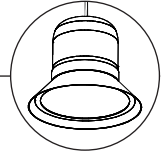


Included BuzziHat

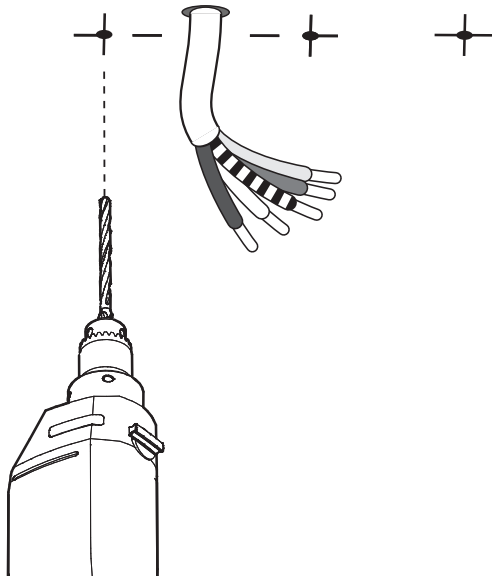


BuzziHat

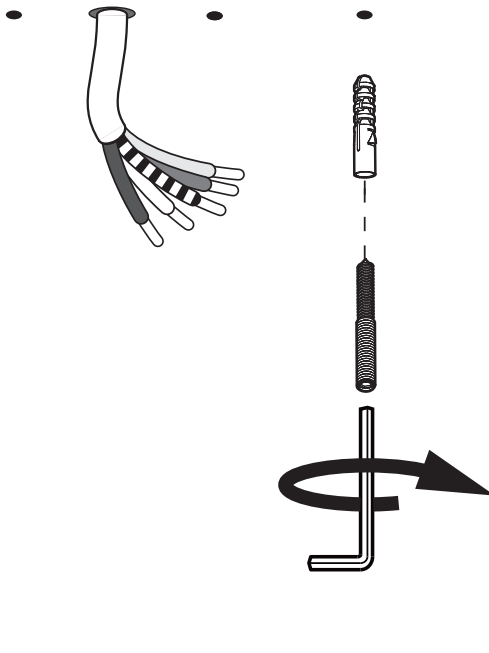
2 PERS. 



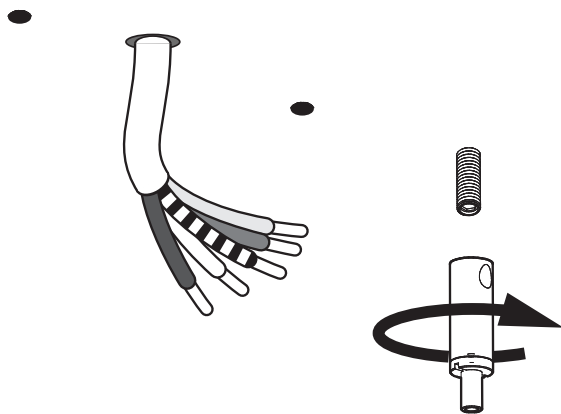
4



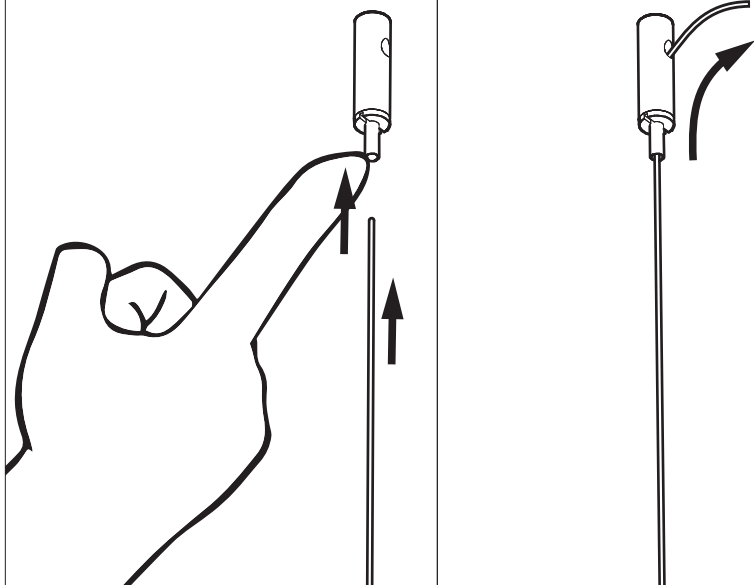
5



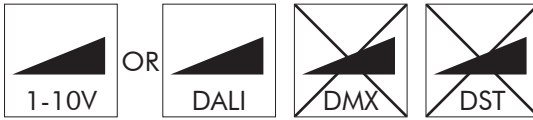
6



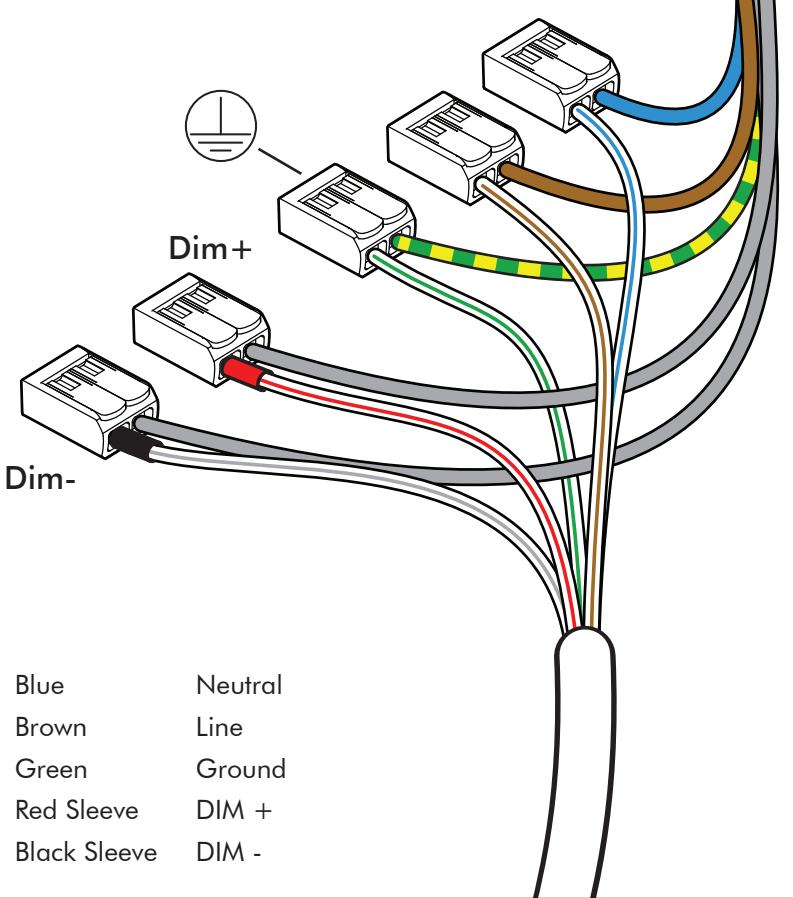
7



8a

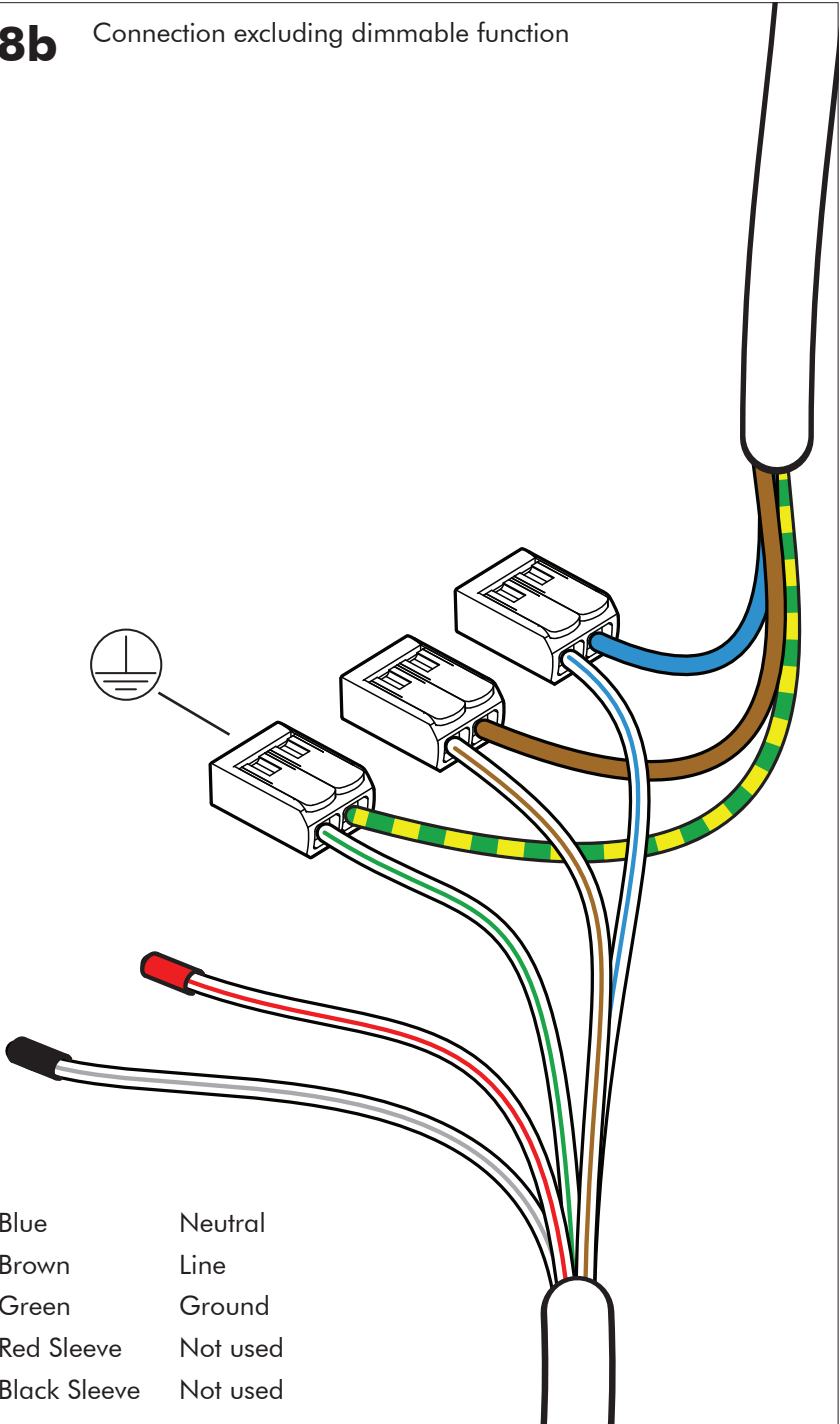


Connection including dimmable function

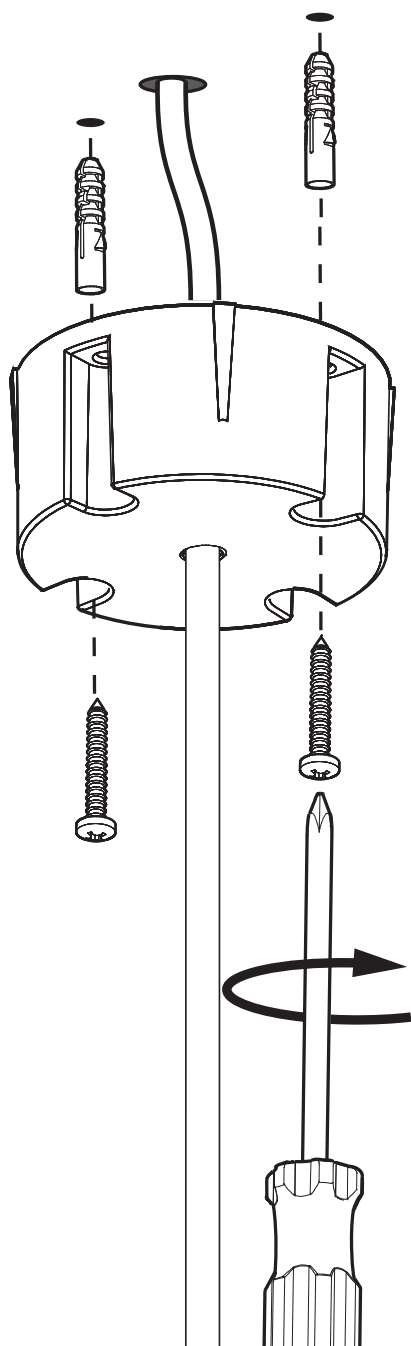


8b

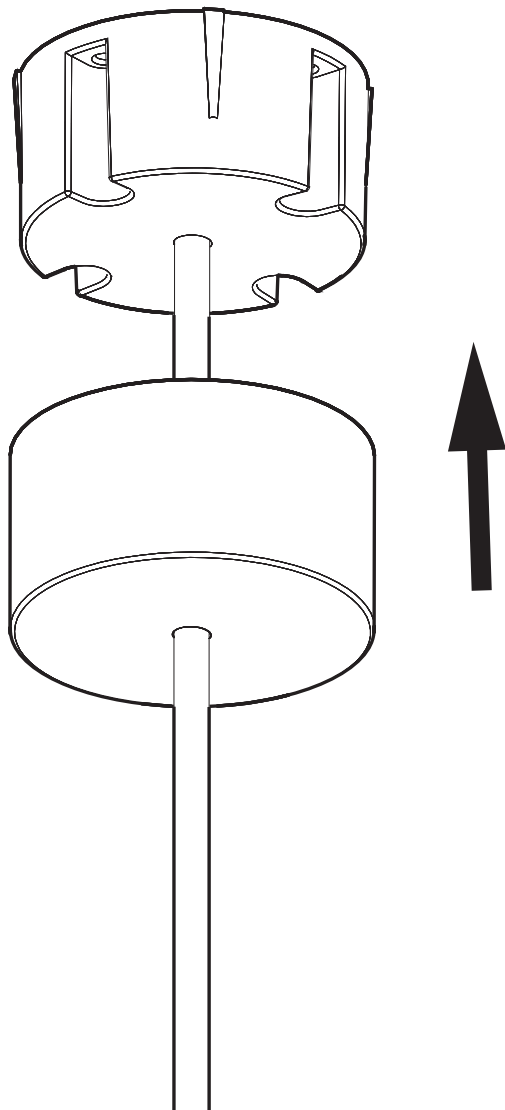
Connection excluding dimmable function

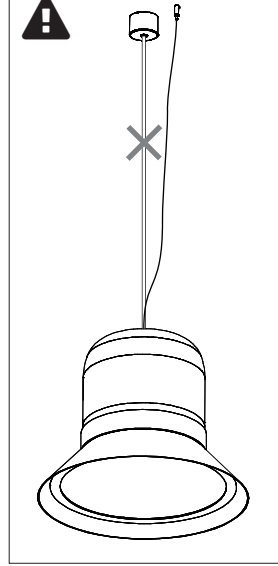
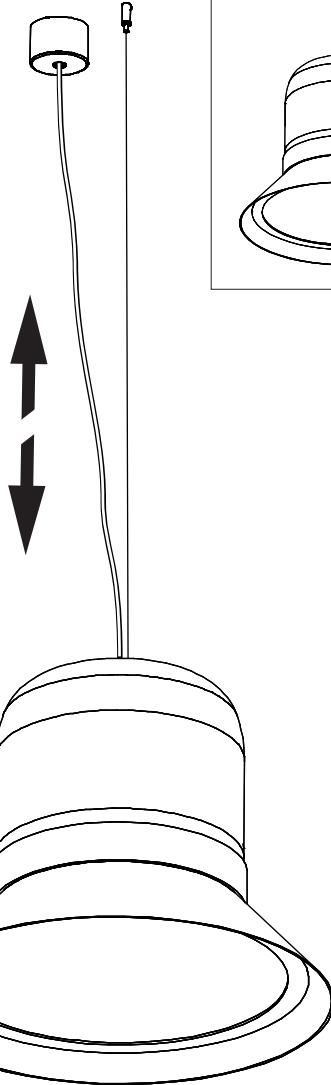
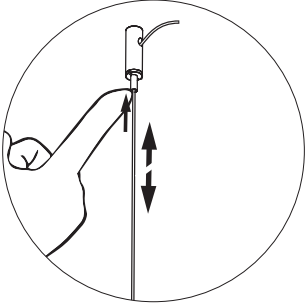
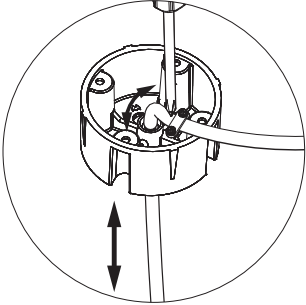


9



10





BuzziSpace Group NV
Italiëlei 8, 2000 Antwerp
Belgium

☎ +32 (0)3 846 10 00

✉ info@buzzi.space

🌐 www.buzzi.space



A-0000003388/03
Last update: 01/12/2023