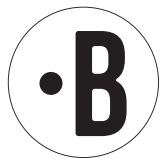
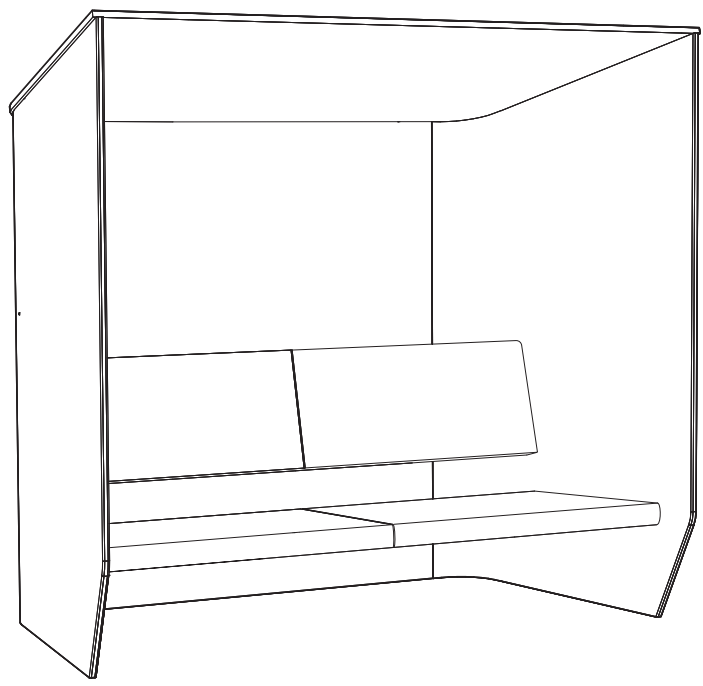


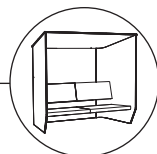
BuzziHub

INSTALLATION MANUAL



BuzziHub

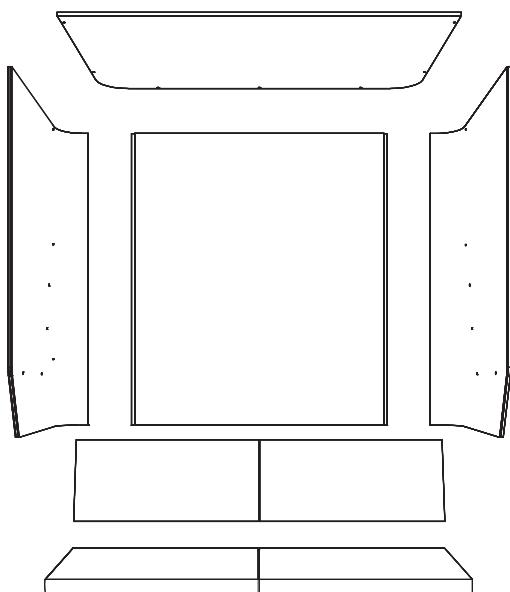
3 PERS. 



Excl.



Incl.



Hub Single 6x
Hub 7x



Hub Single 6x
Hub 7x



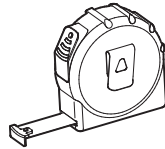
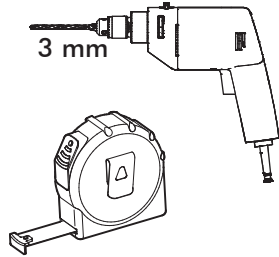
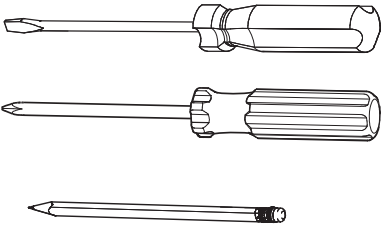
8x



Optional BackLight

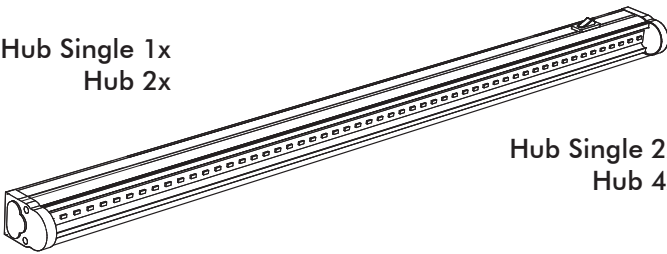


Excl.



Incl.

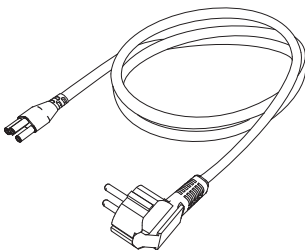
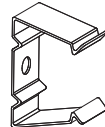
Hub Single 1x
Hub 2x



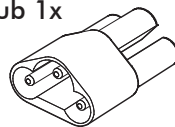
Hub Single 2x
Hub 4x



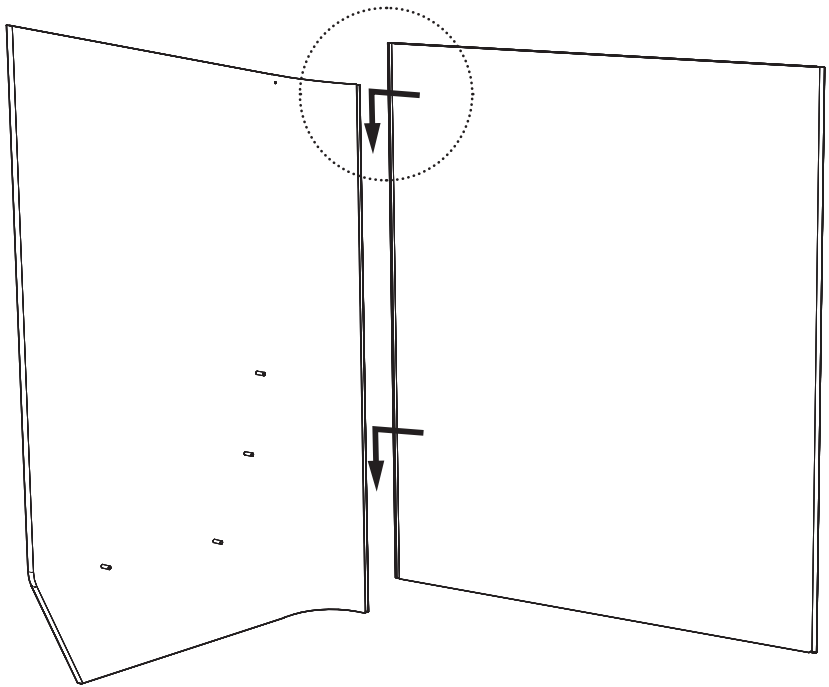
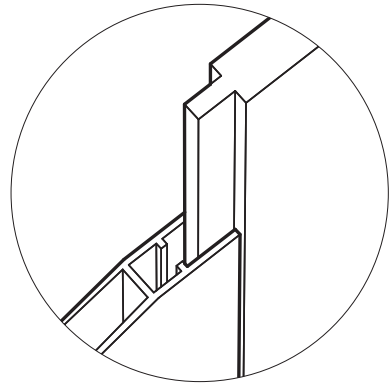
Hub Single 2x
Hub 4x



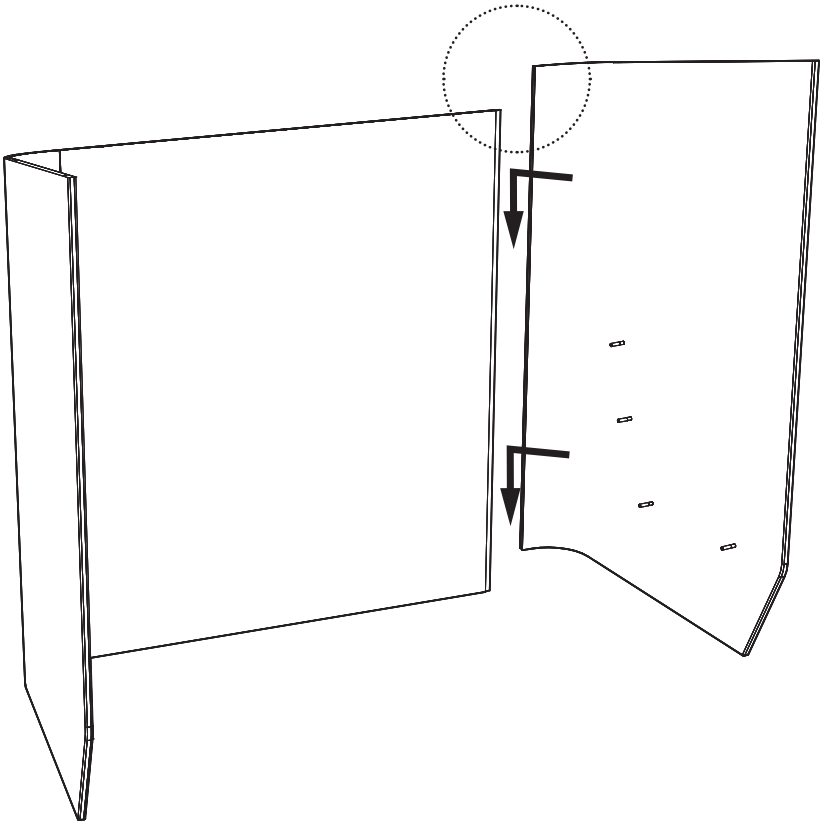
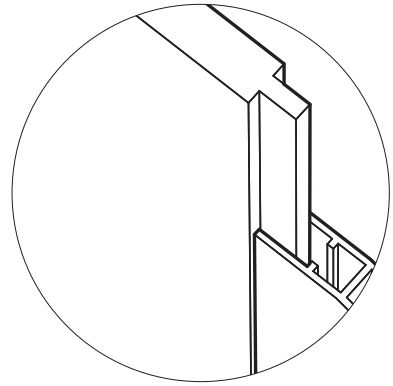
Hub 1x



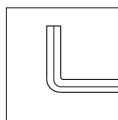
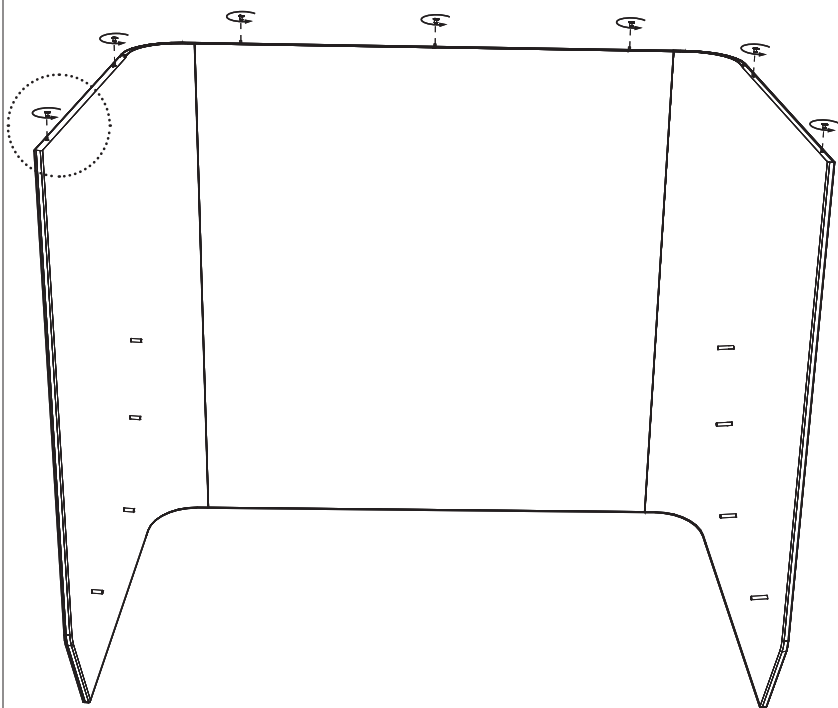
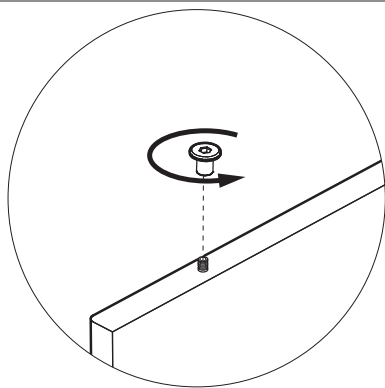
1



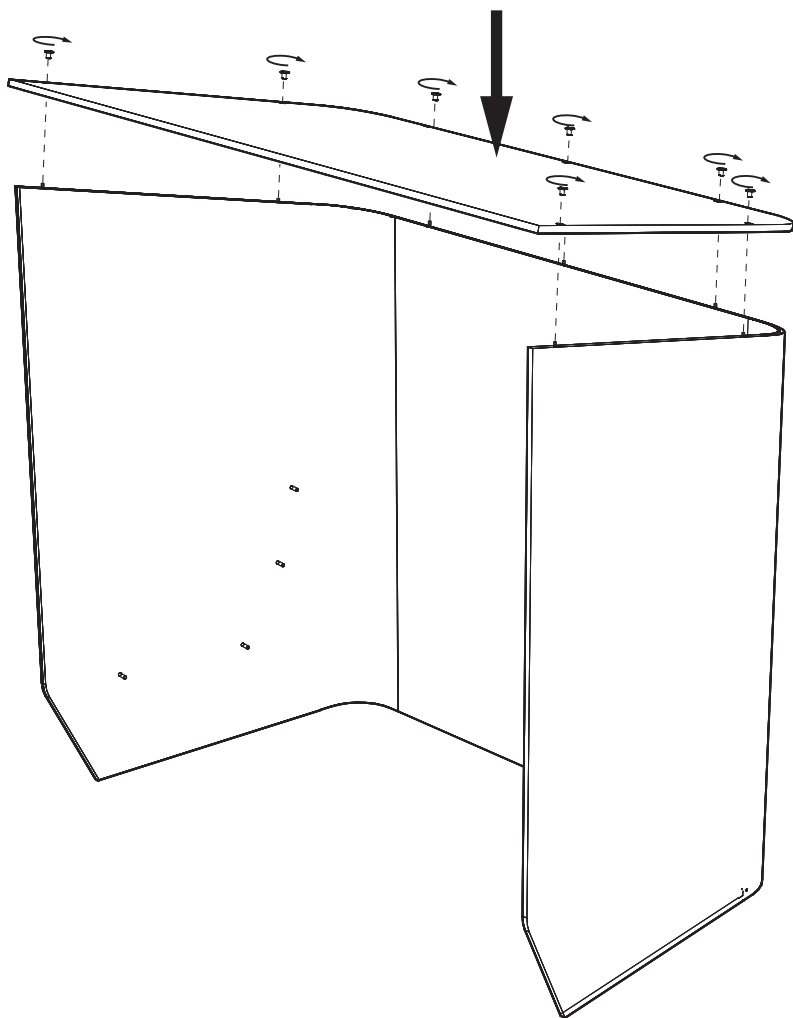
2



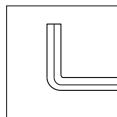
3



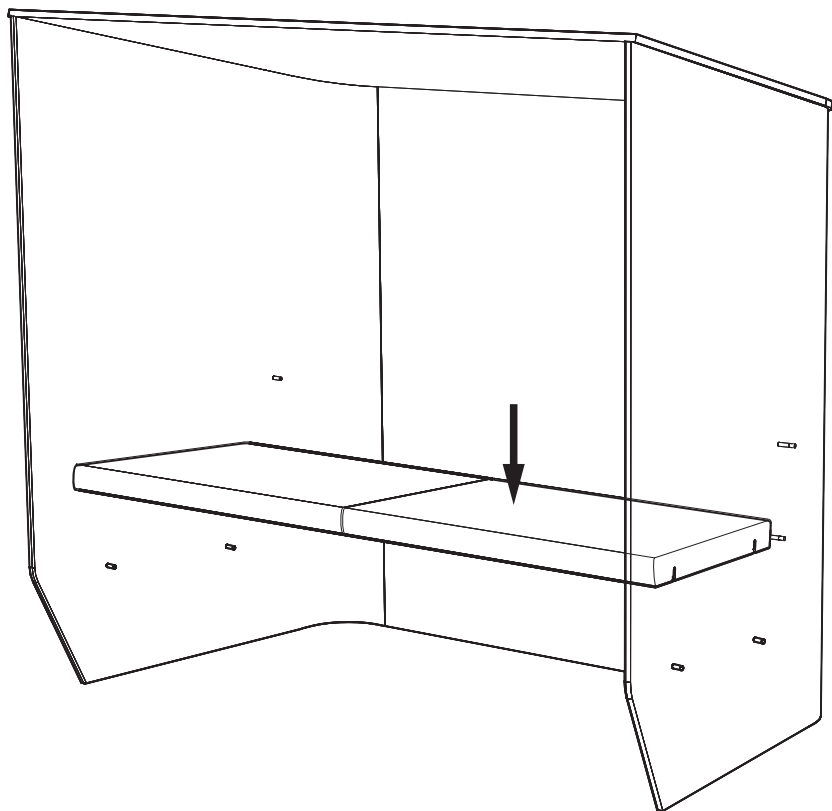
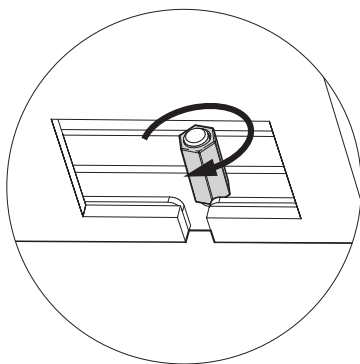
4



Hub Single 6x
Hub 7x



5



4x

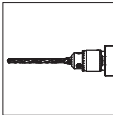
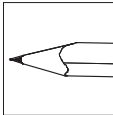
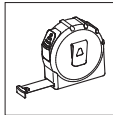
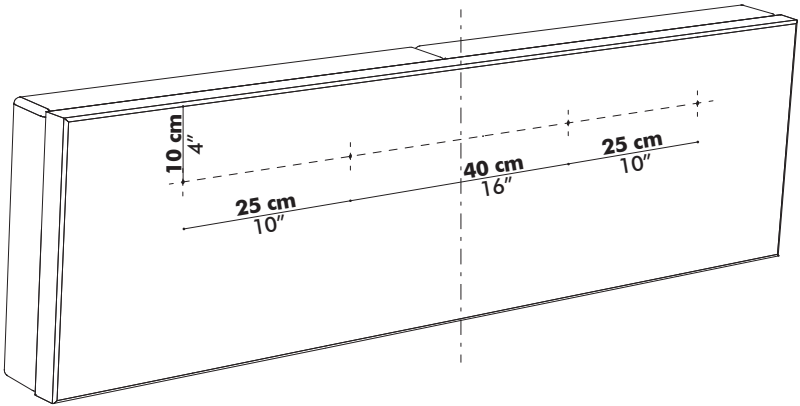
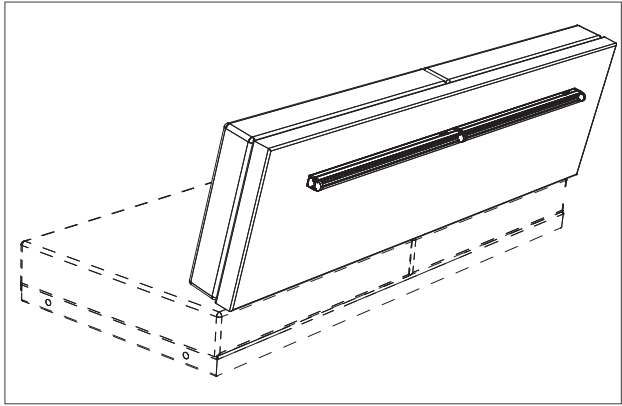


Optional BackLight

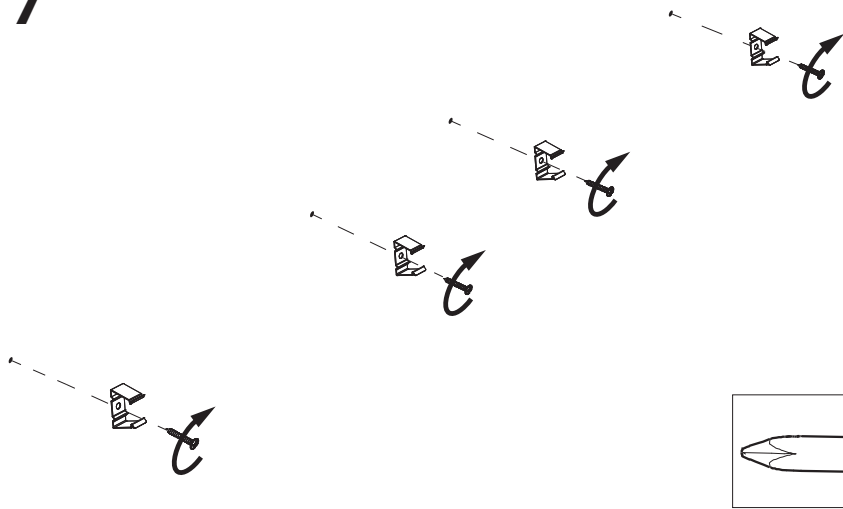
1 PERS. 



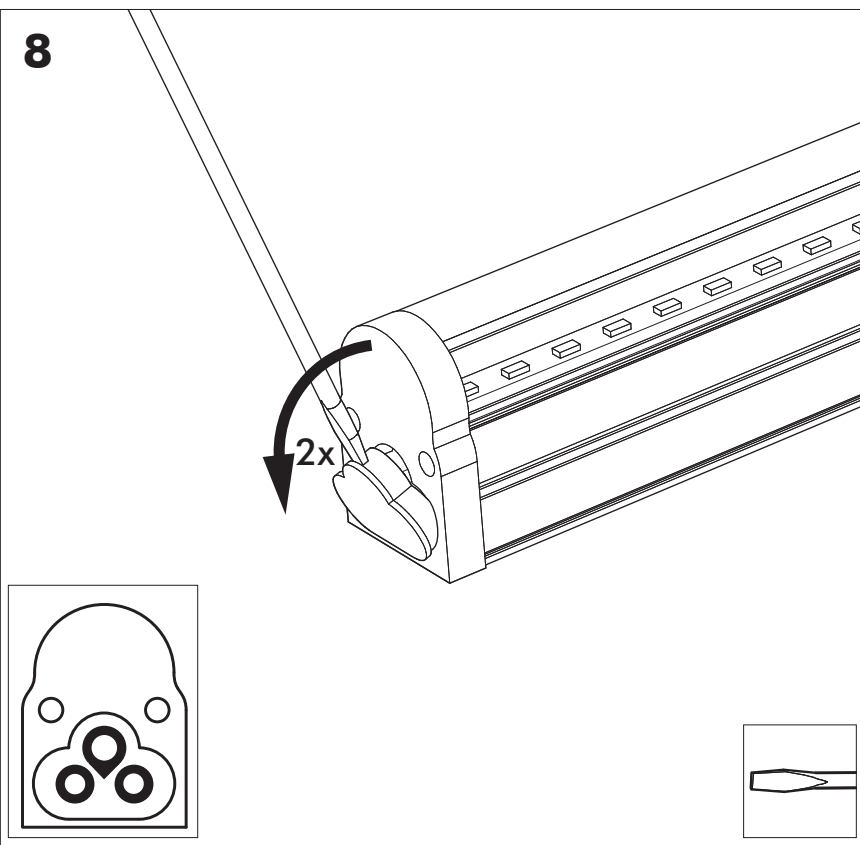
6

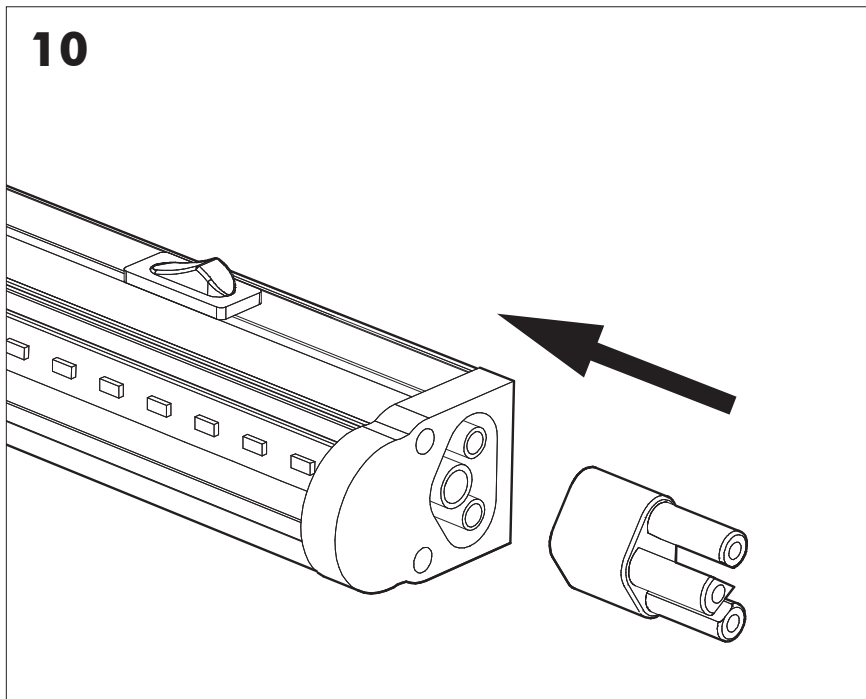
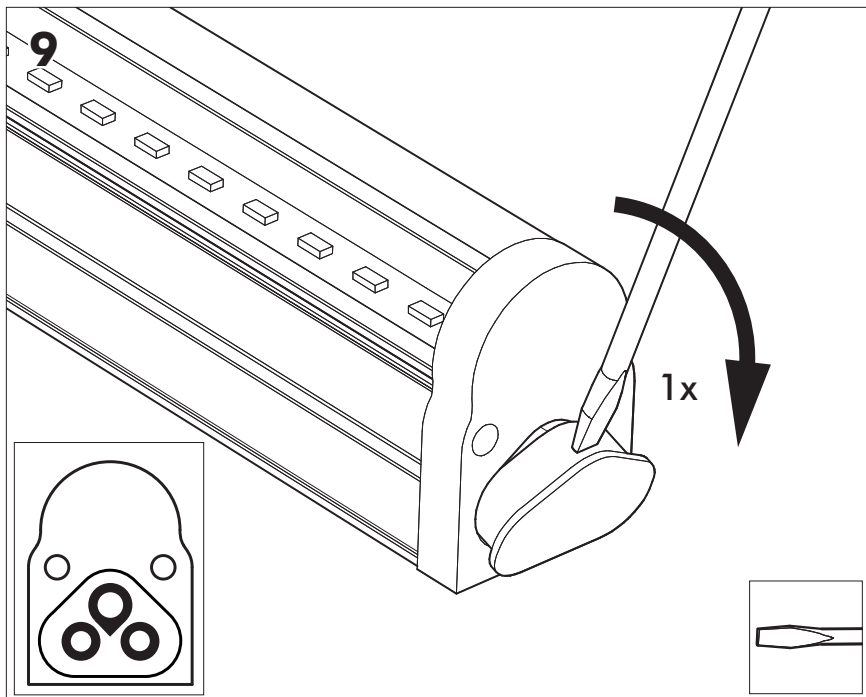


7

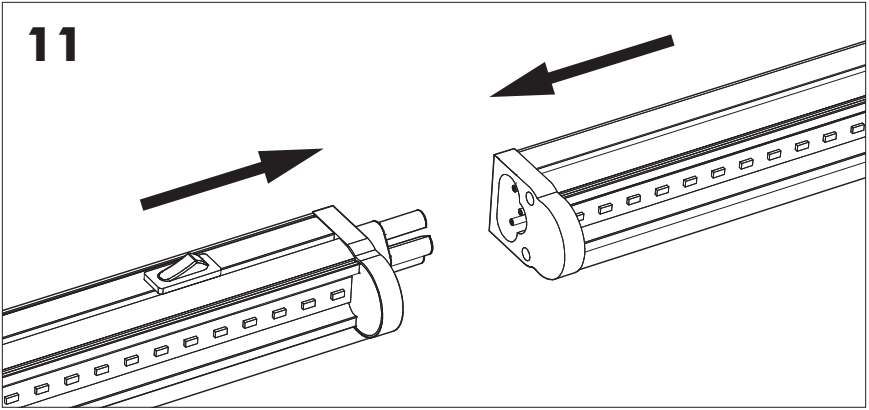


8



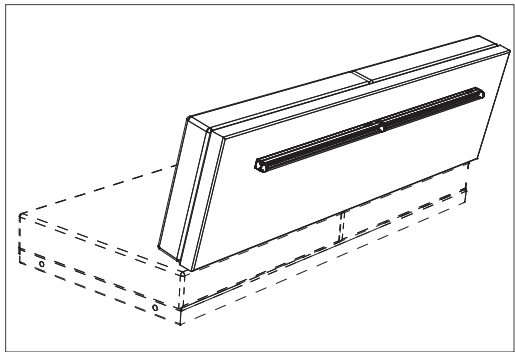
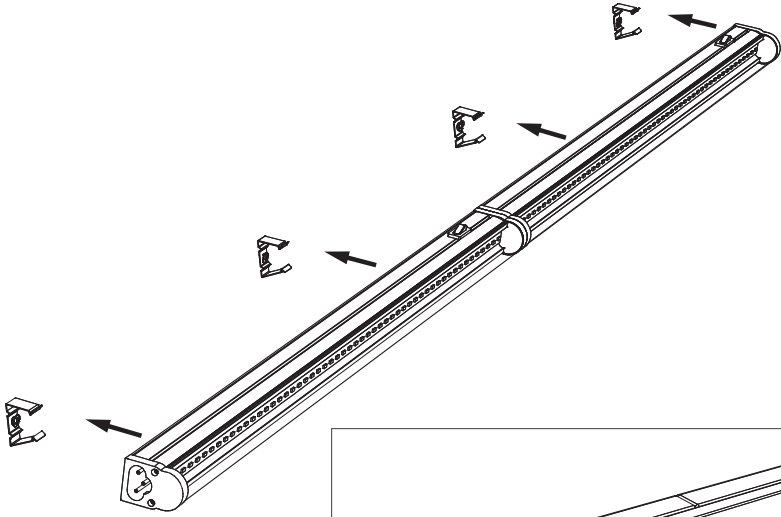
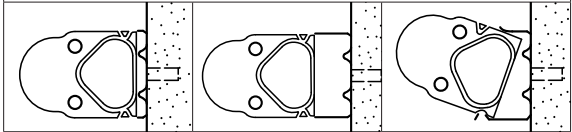


11

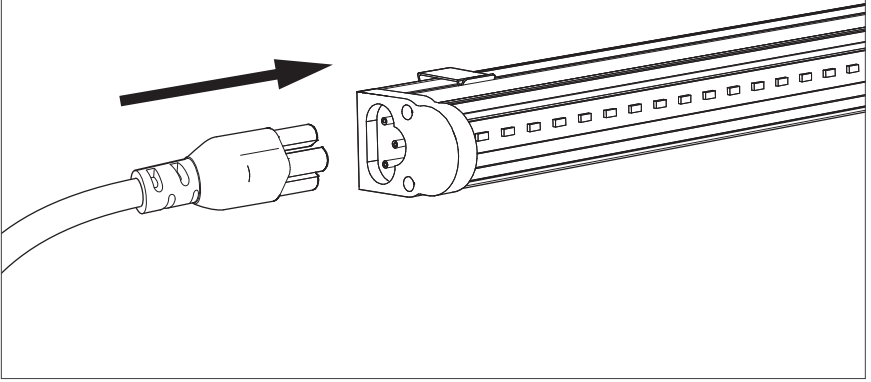


12

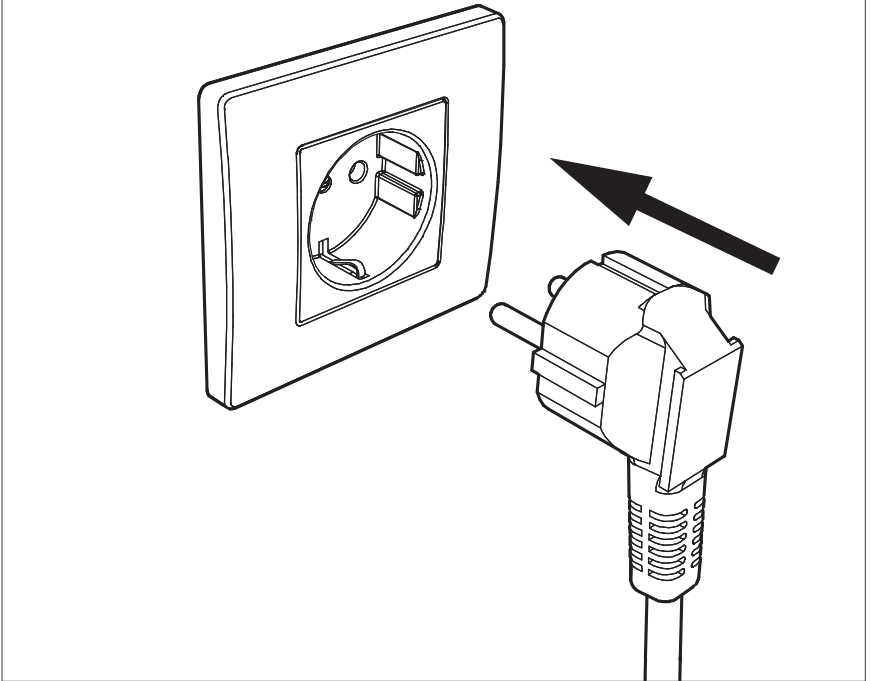
3 mounting options



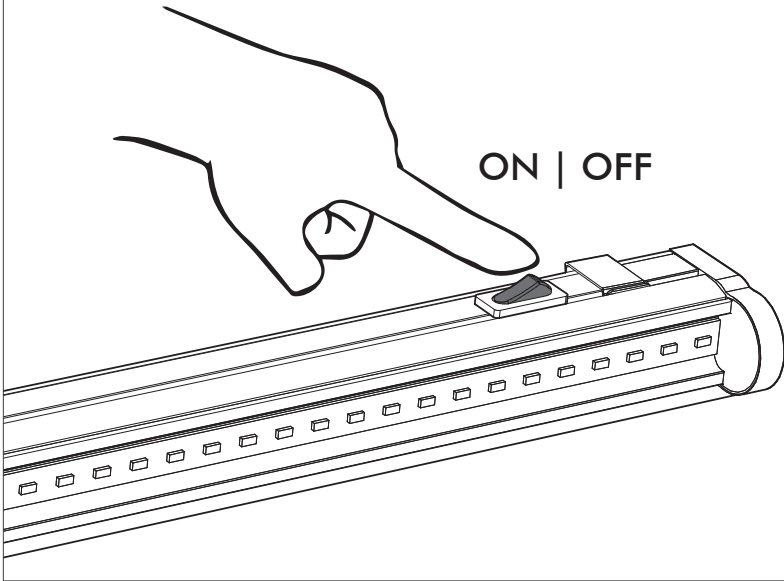
13



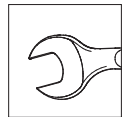
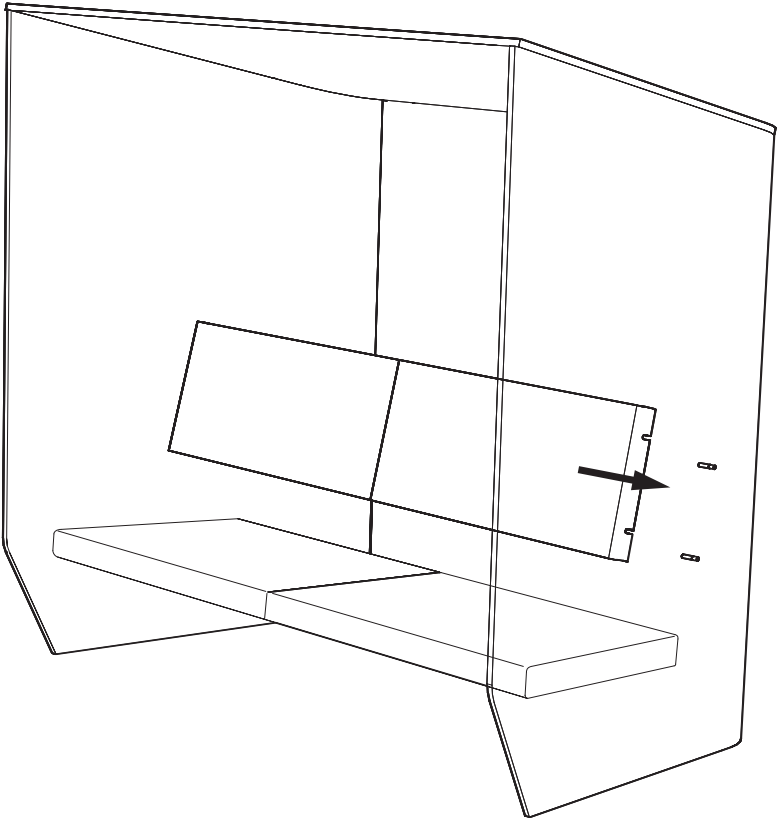
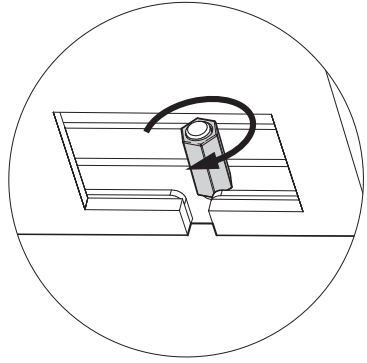
14



15



16

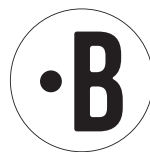


BuzziSpace Group NV
Italiëlei 8, 2000 Antwerp
Belgium

☎ +32 (0)3 846 10 00

✉ info@buzzi.space

🌐 www.buzzi.space



Doc nr.: A-0000002320/02
Last update: 01/12/2023