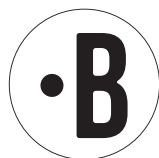
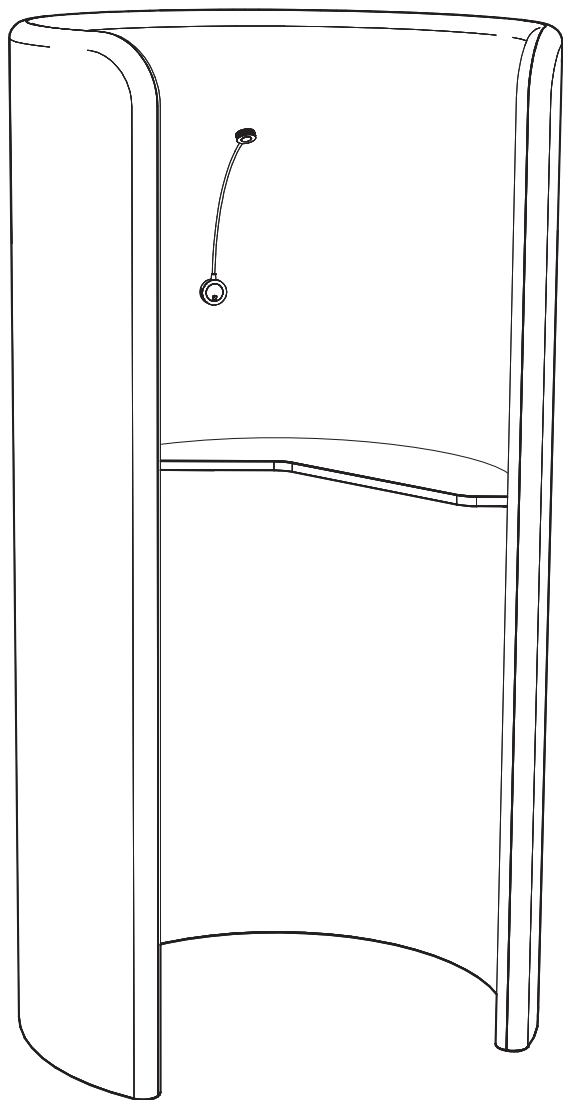
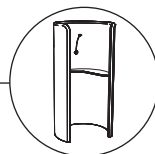


# BuzziHug

## INSTALLATION MANUAL



# BuzziHug



1 PERS.

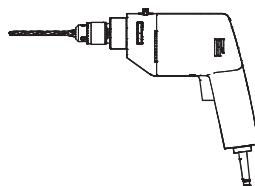
## Excluded



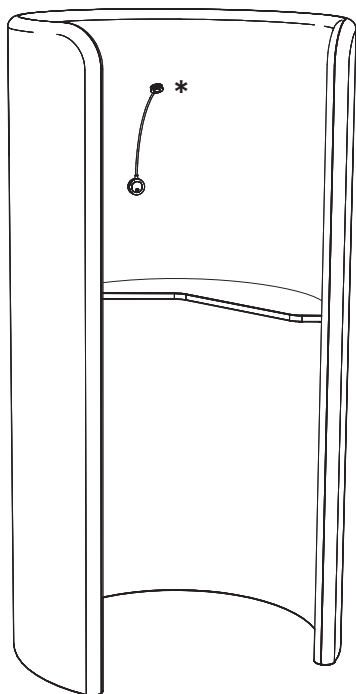
2x



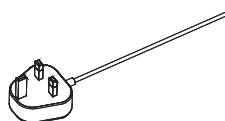
2x



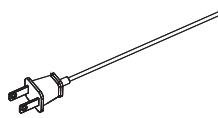
## Included



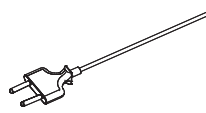
UK



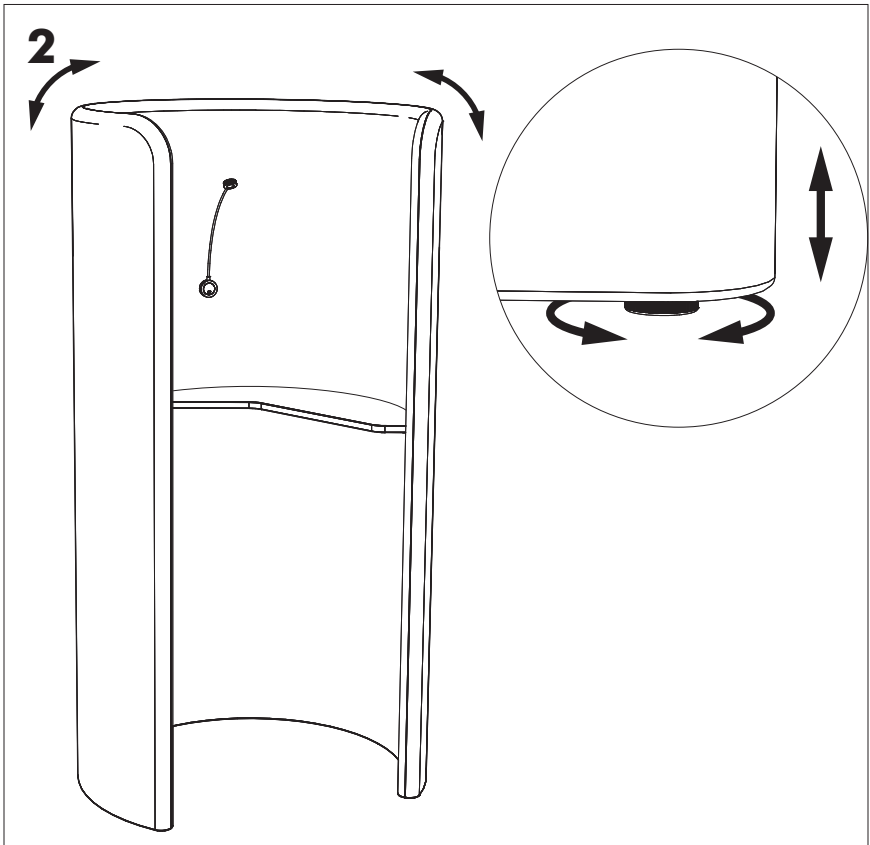
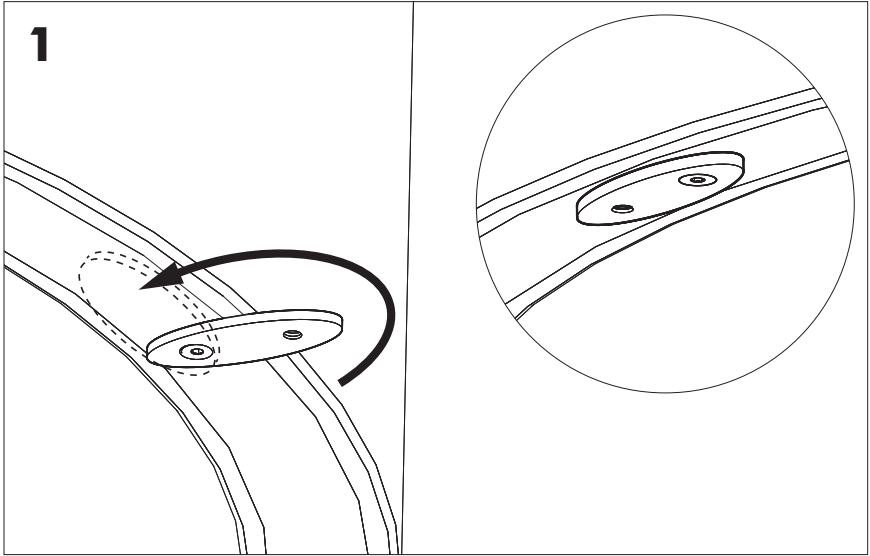
US



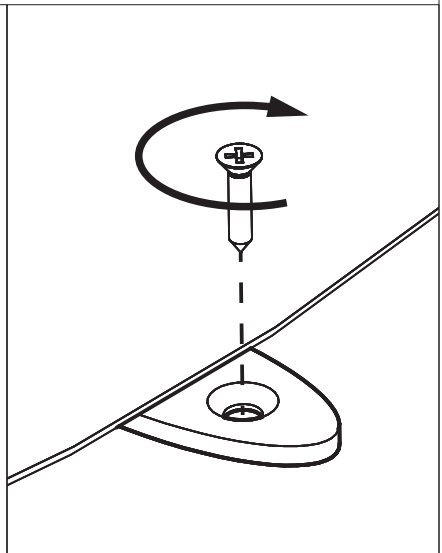
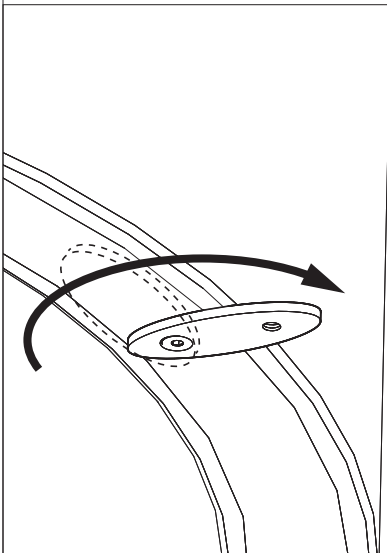
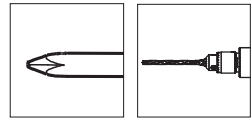
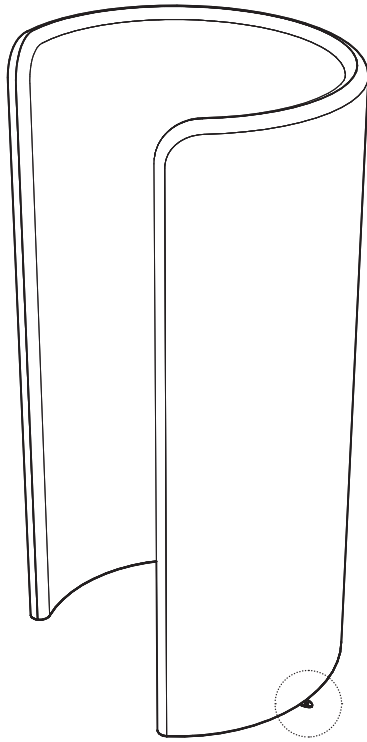
EU



\*Optional LED Light



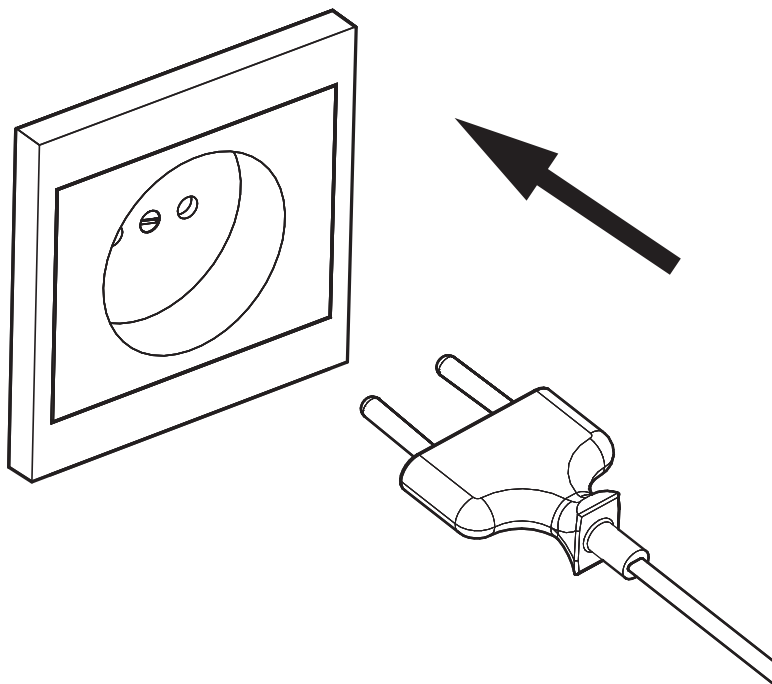
# ! Optional Step



## Optional LED Light

---

**3**







**BuzziSpace Group NV**  
Italiëlei 8, 2000 Antwerp  
Belgium

☎ +32 (0)3 846 10 00

✉ [info@buzzi.space](mailto:info@buzzi.space)

🌐 [www.buzzi.space](http://www.buzzi.space)



**Doc nr.: A-0000011501/03**

**Last update: 01/12/2023**