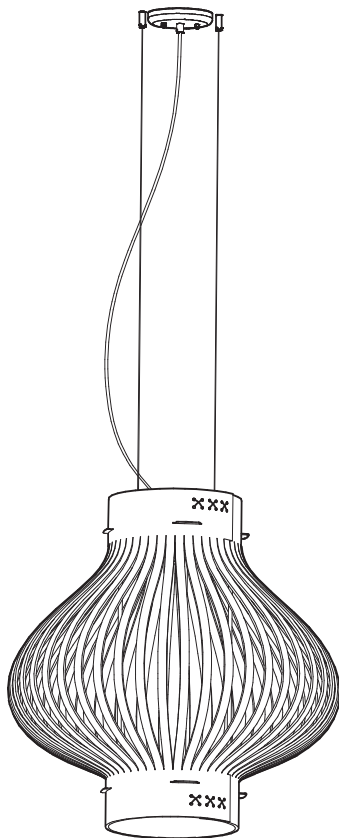


BuzziLight Mono

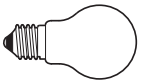
INSTALLATION MANUAL

120V

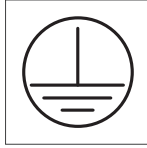
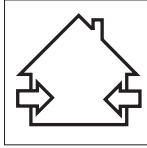


Technical info

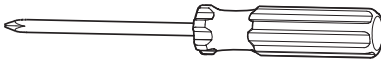
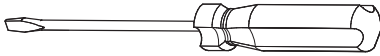
E26



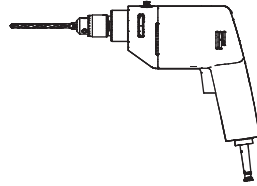
Max. 100W

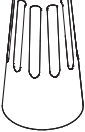


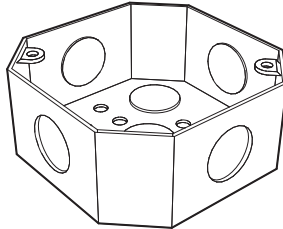
Excl.

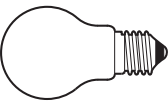


2x 



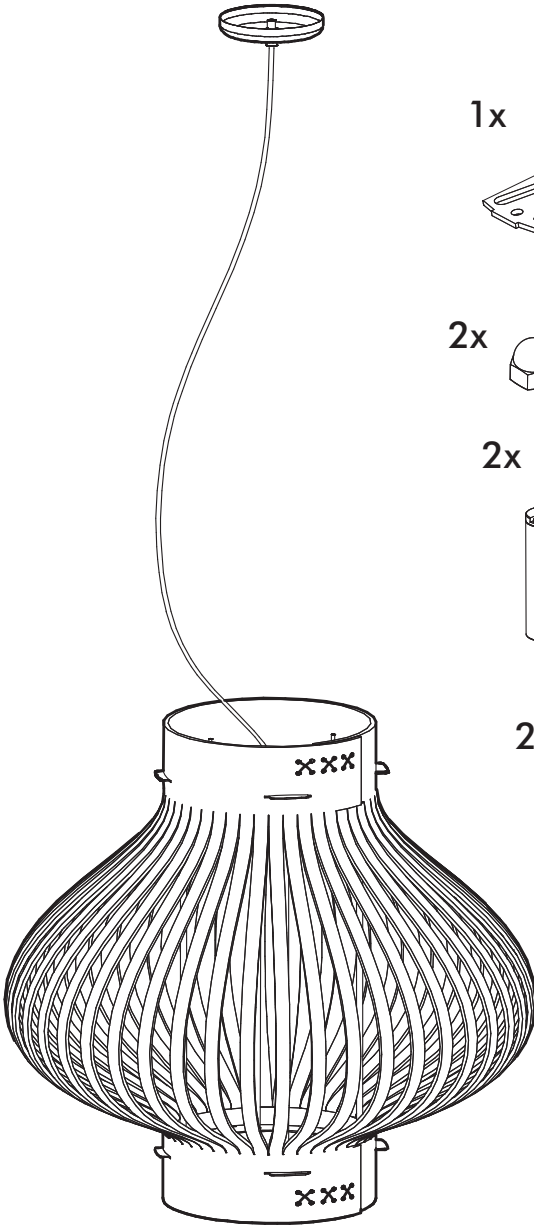
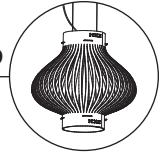
2x 

1x 

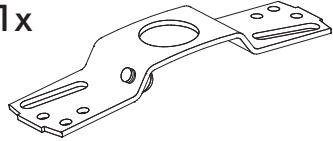
1x 

Included BuzziLight Mono

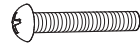
p.6



1x



2x



2x



2x



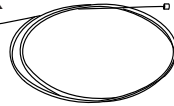
2x



2x



2x

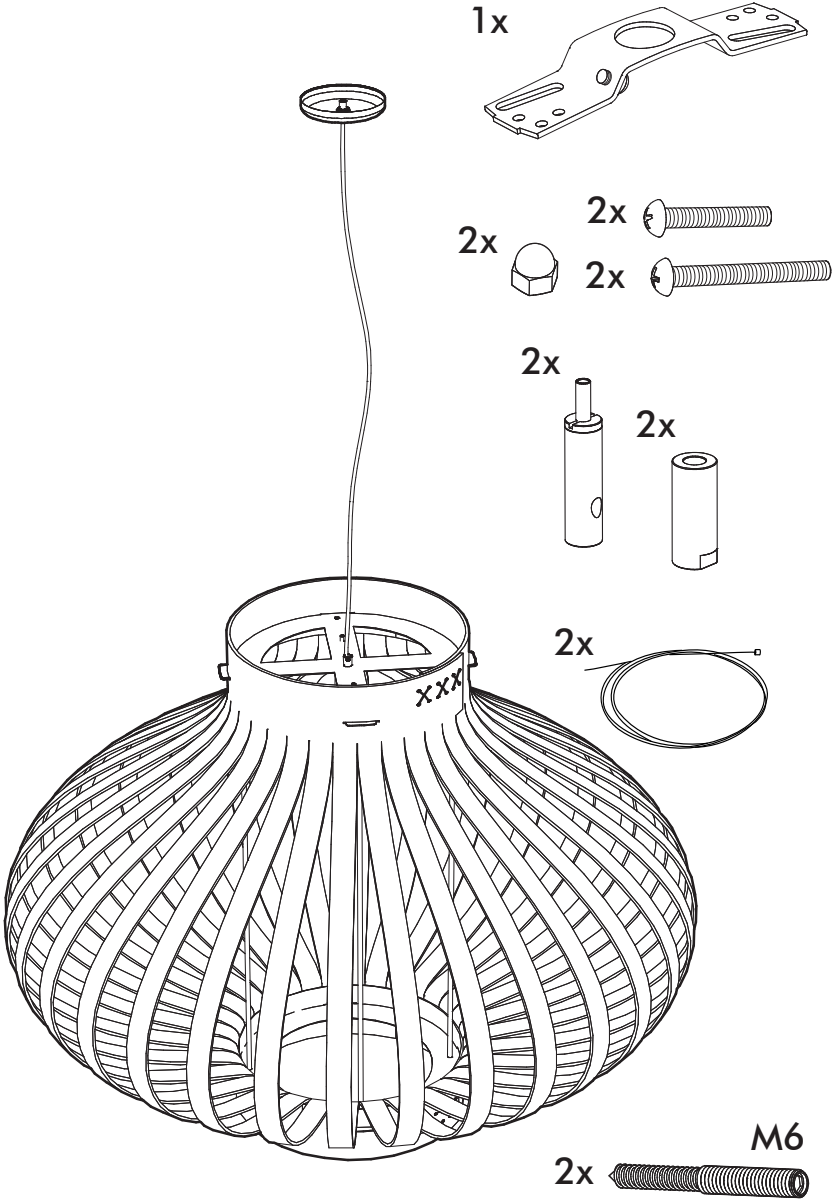


2x M6

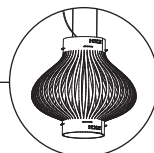


Included BuzziLight Mono XL

p.15



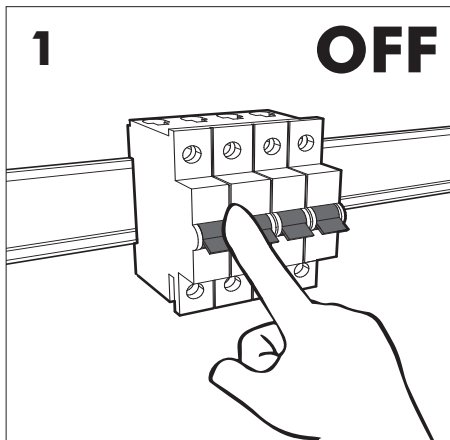
BuzziLight Mono



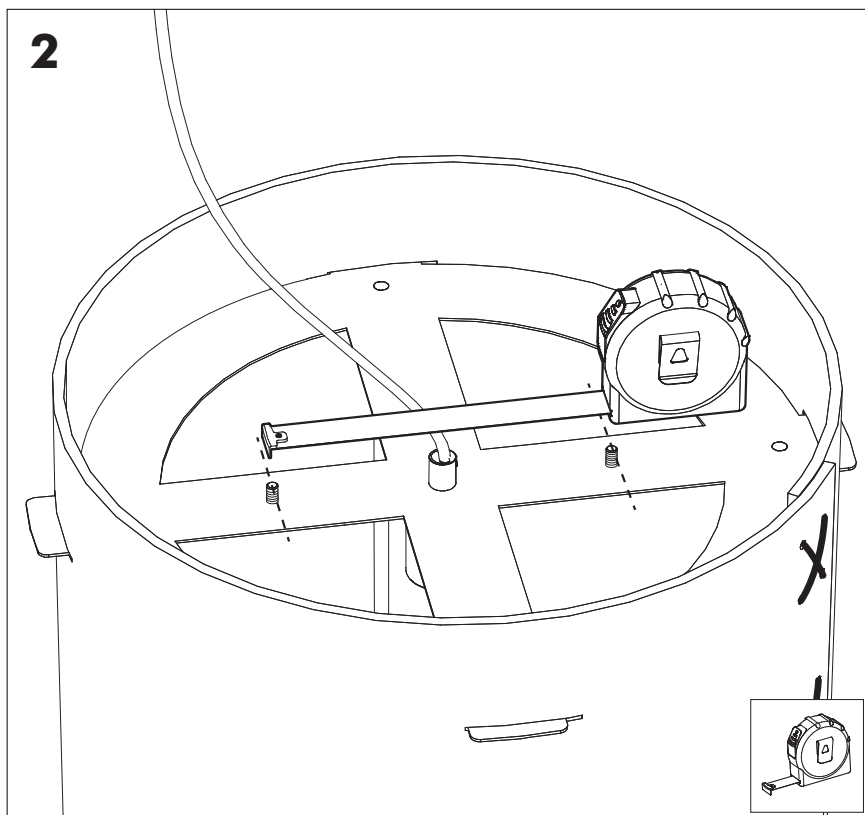
2 PERS. 

1

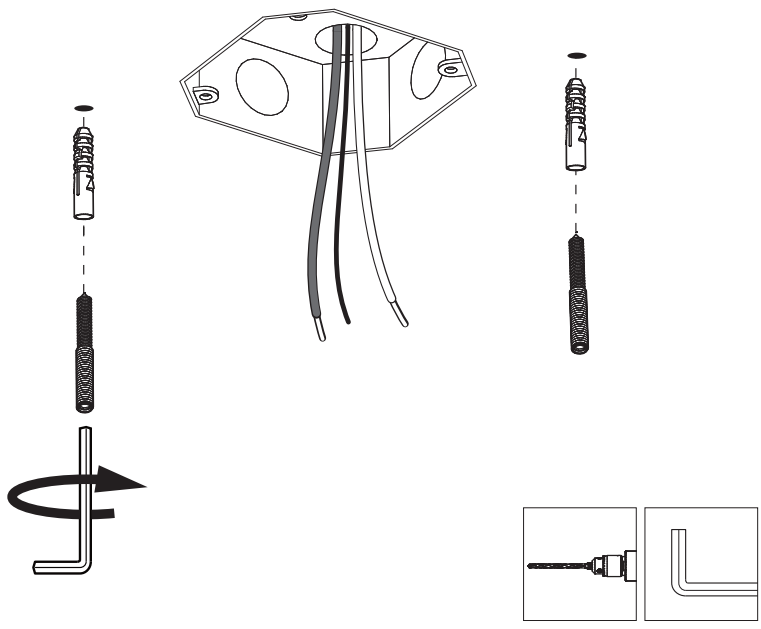
OFF



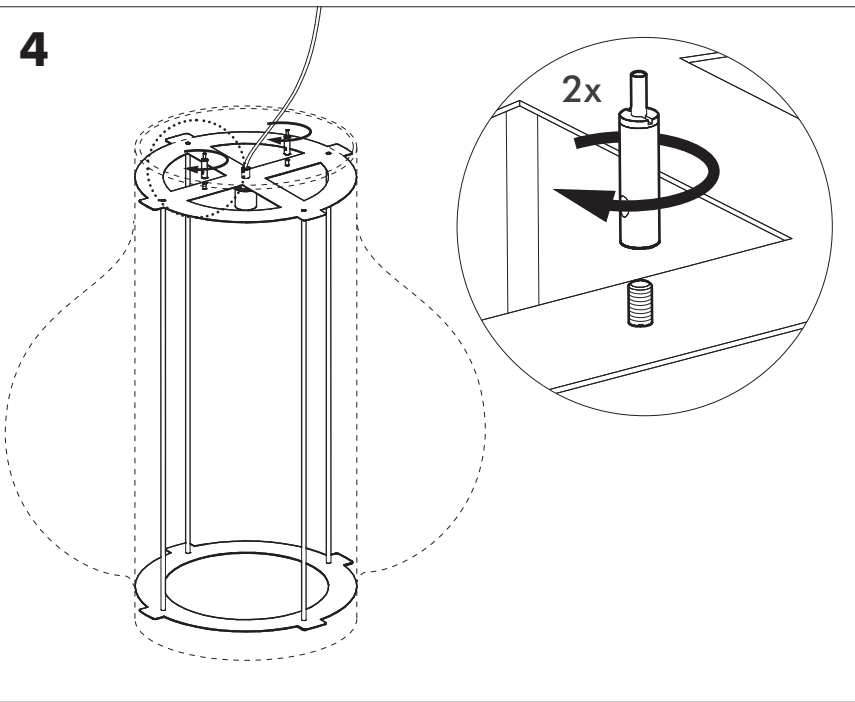
2



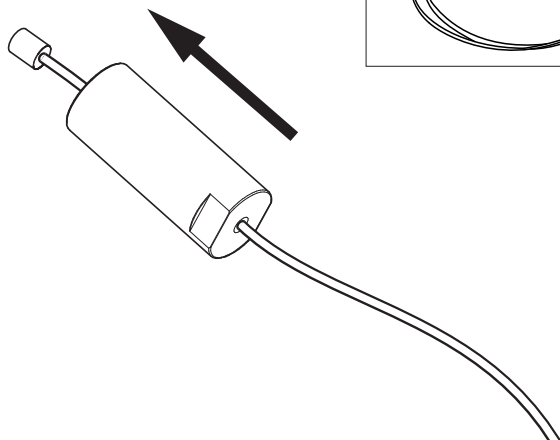
3



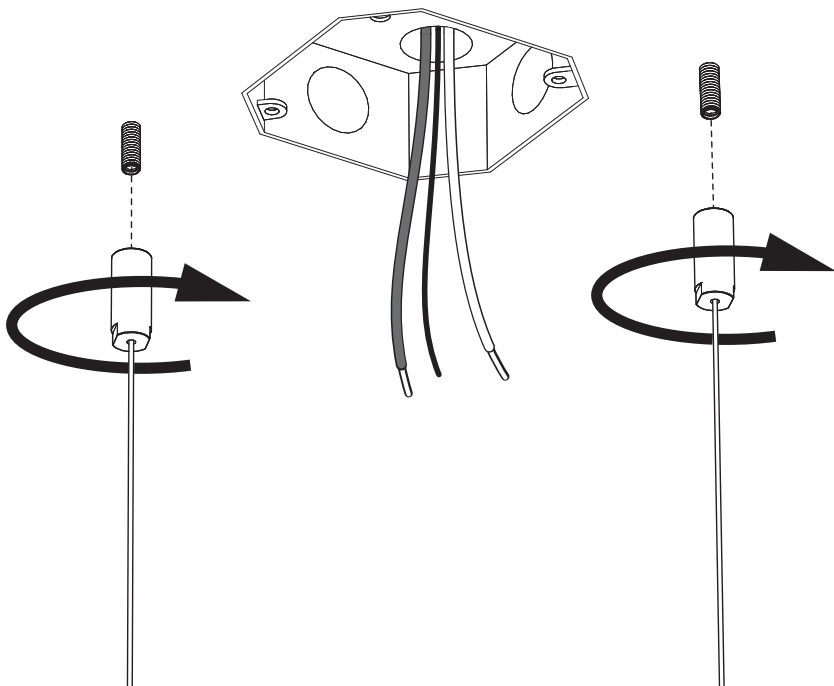
4



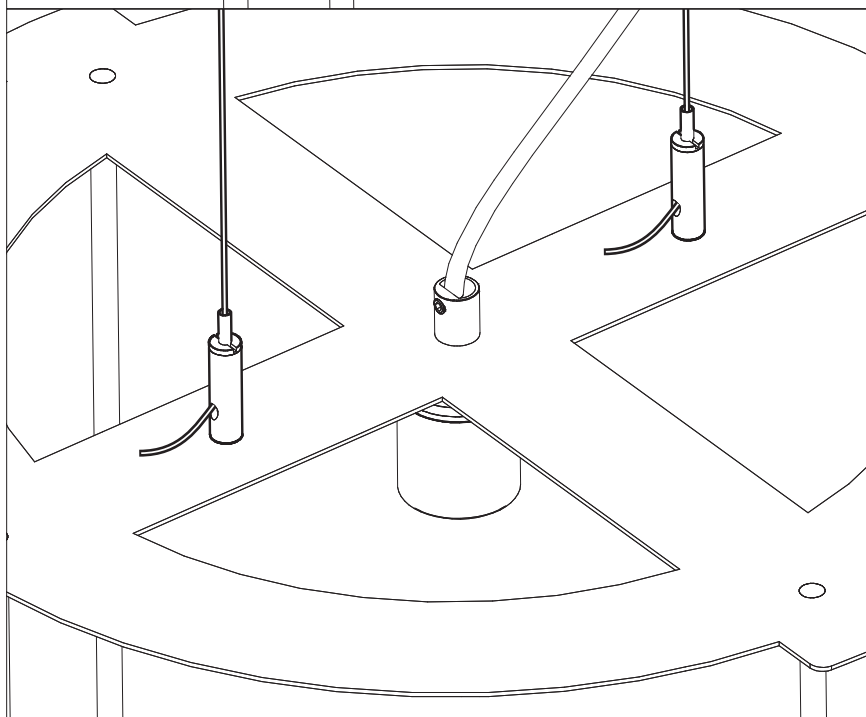
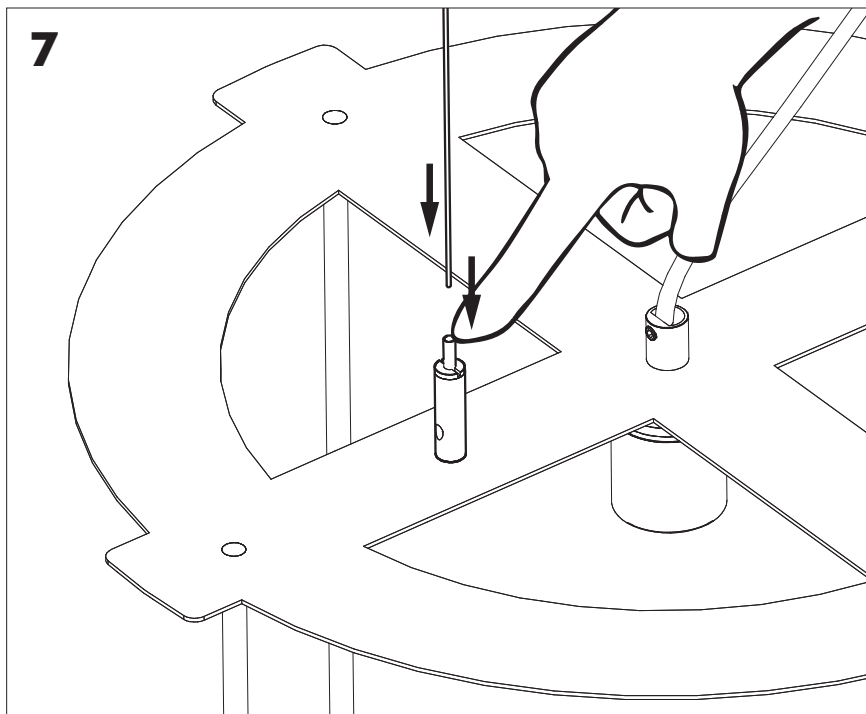
5



6

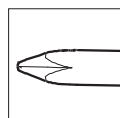
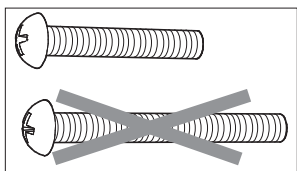
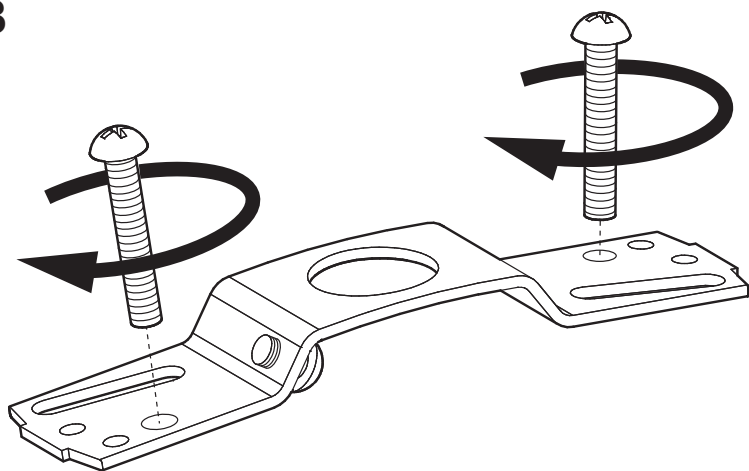


7

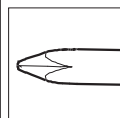
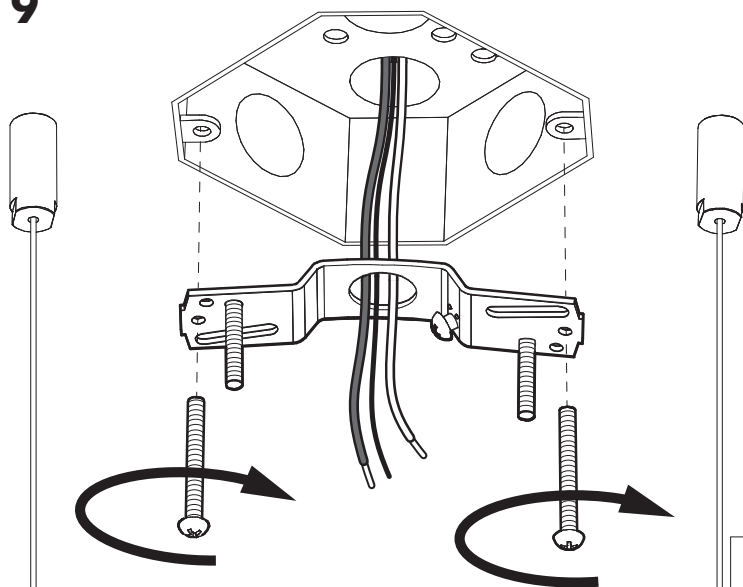


8

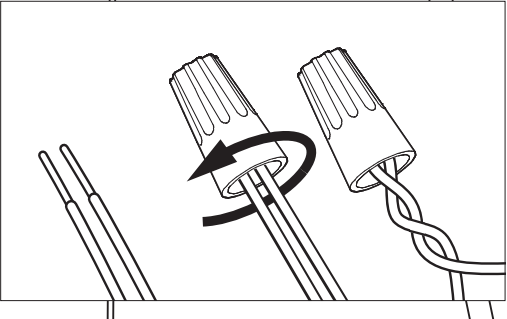
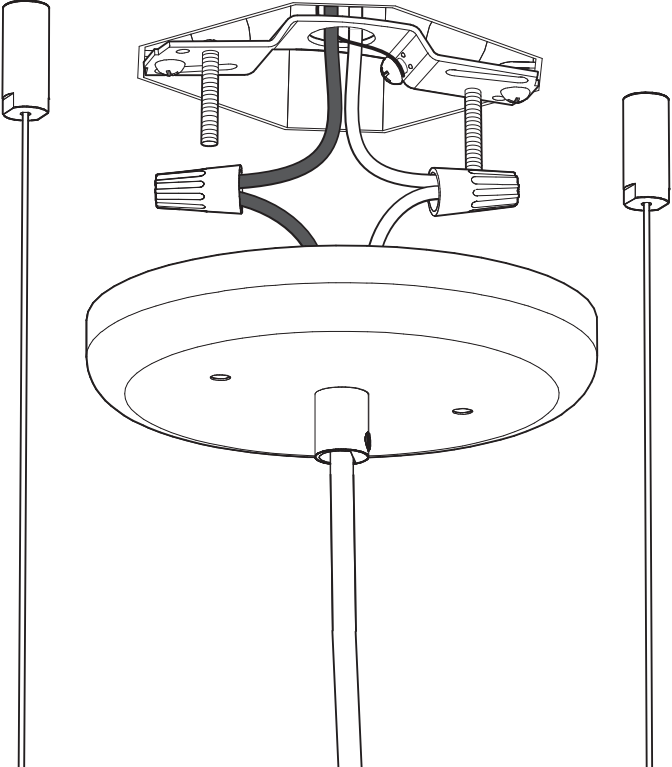
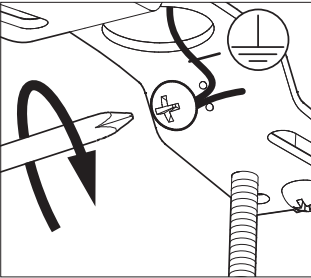
8



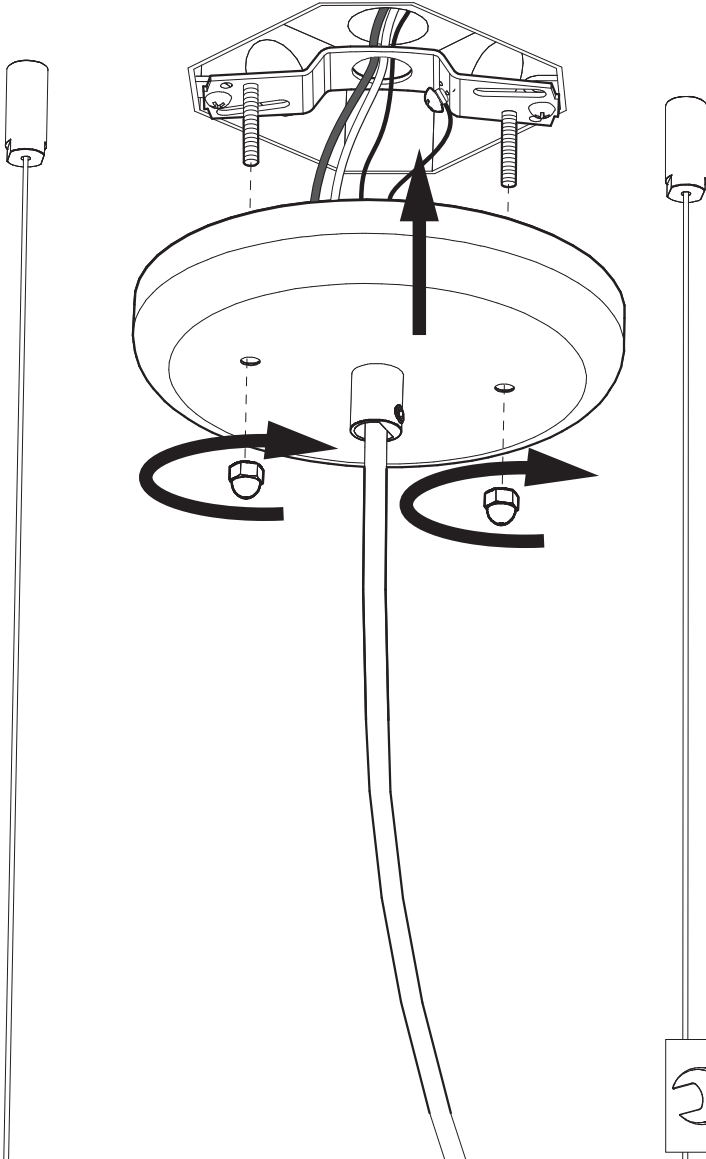
9



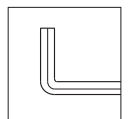
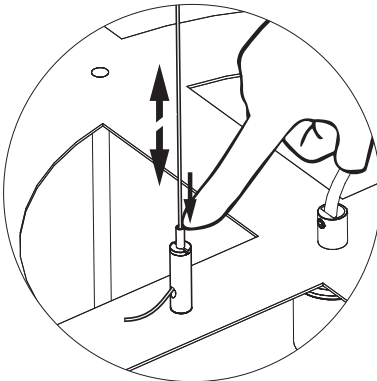
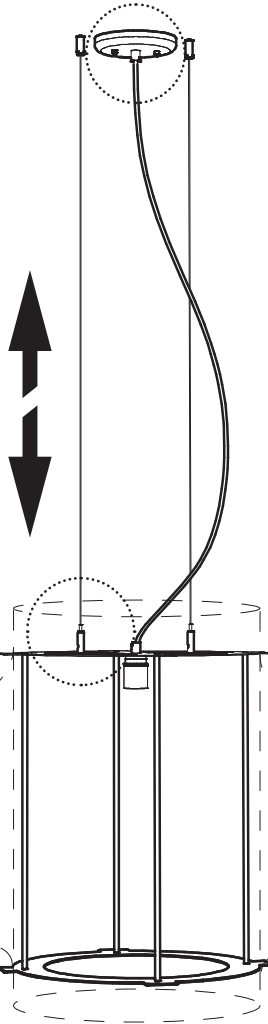
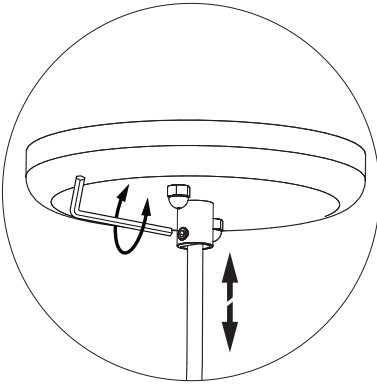
10



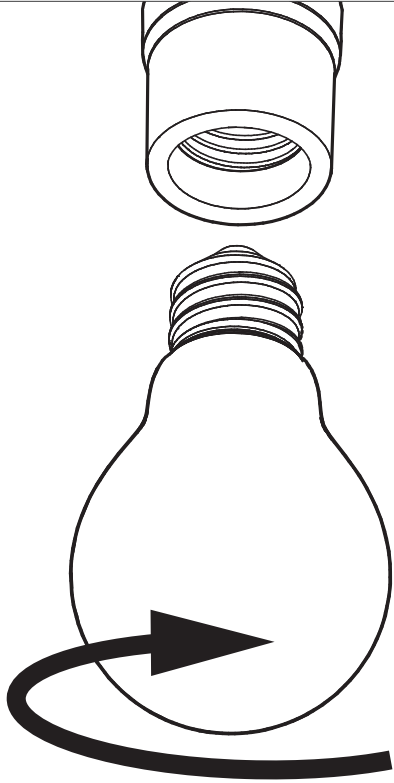
11



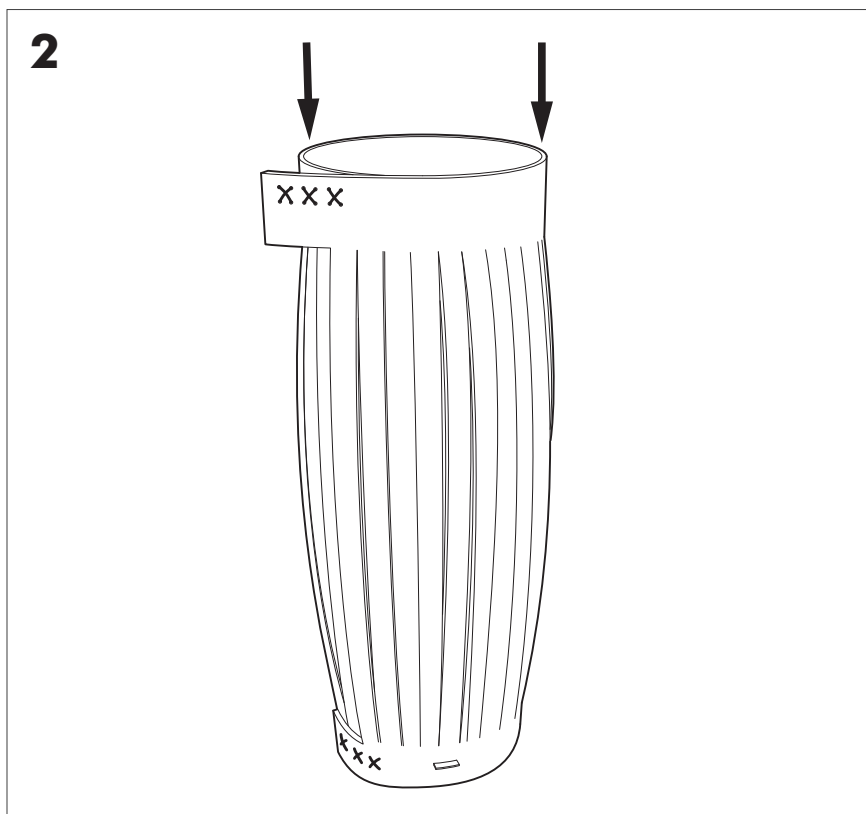
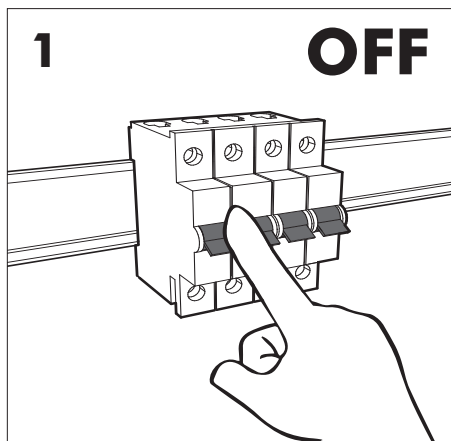
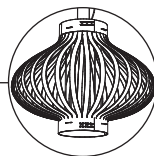
12



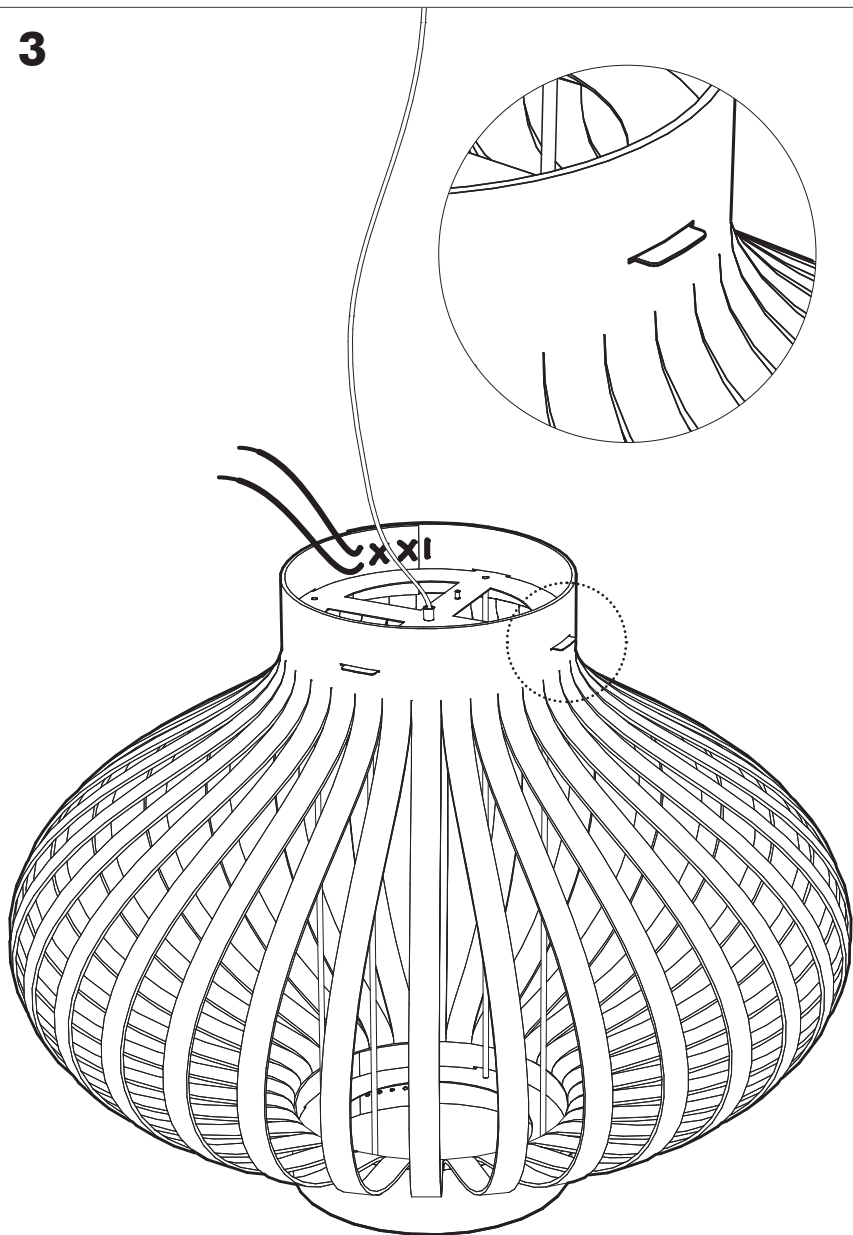
13



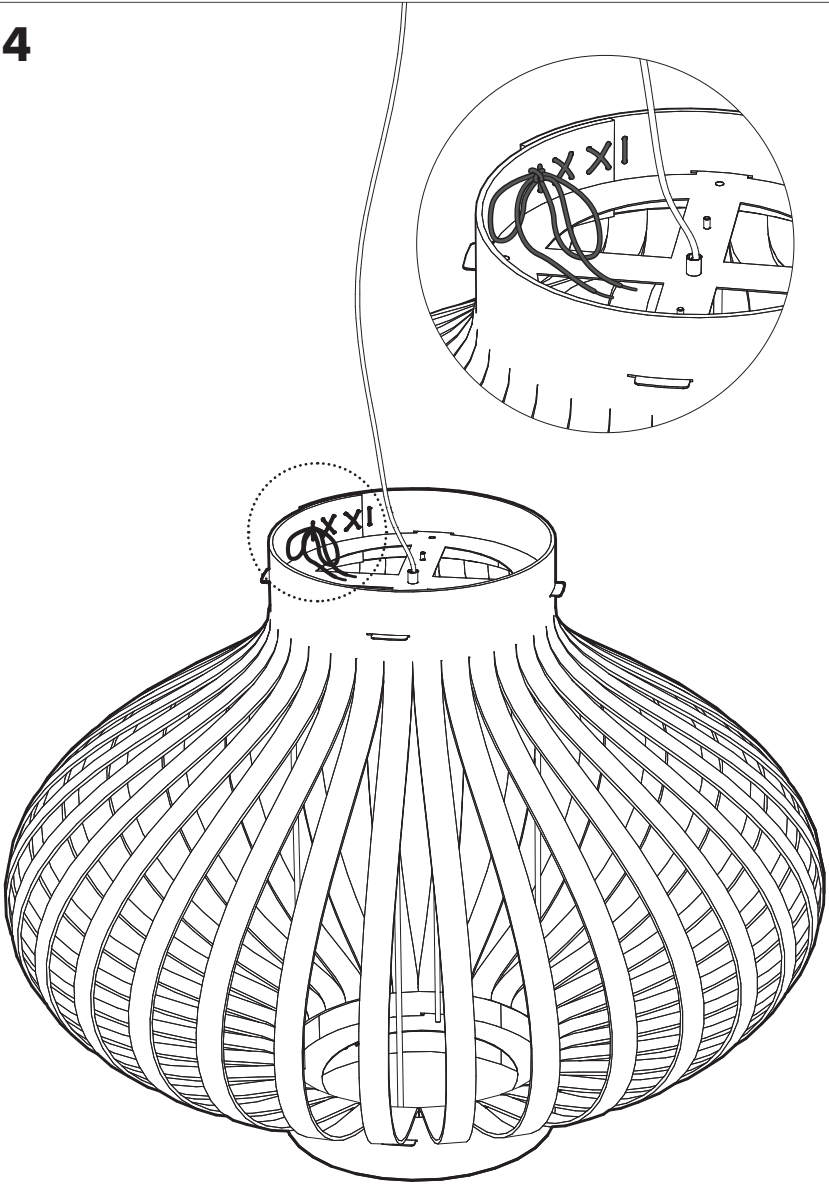
BuzziLight Mono XL



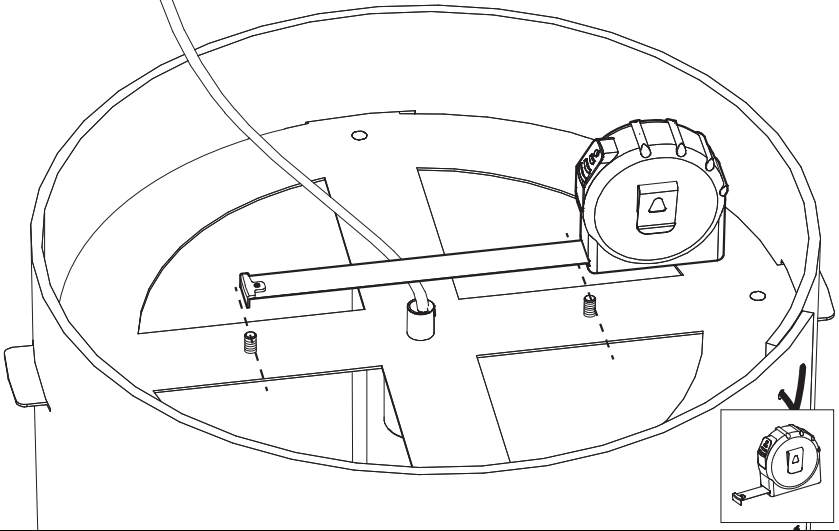
3



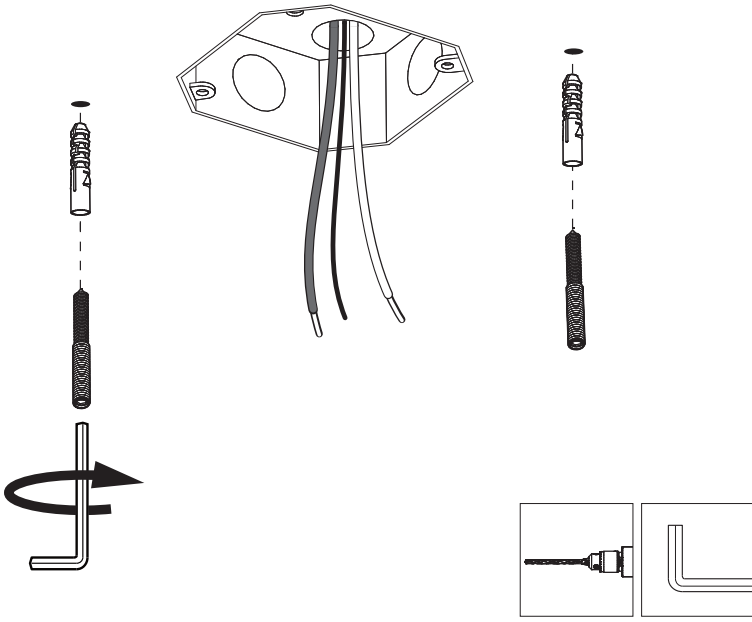
4



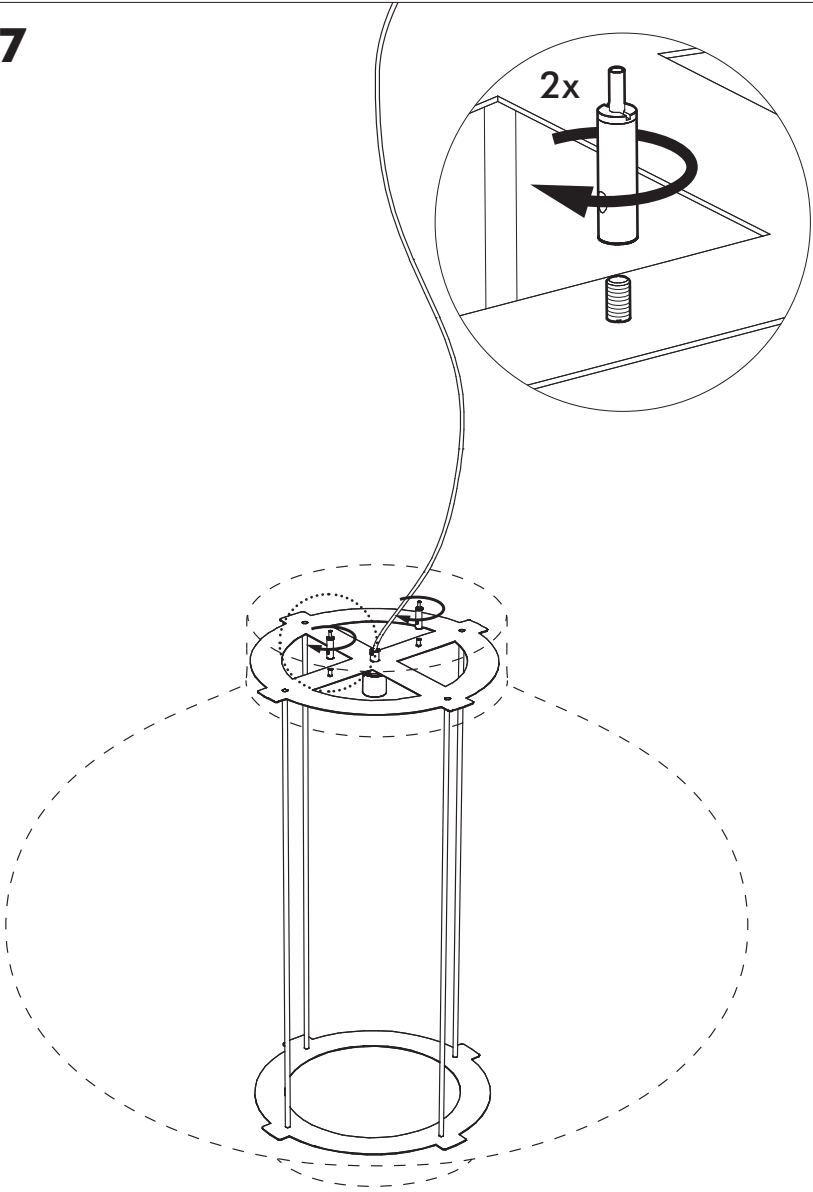
5



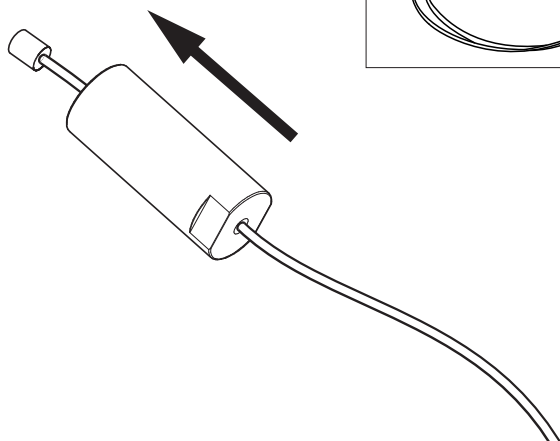
6



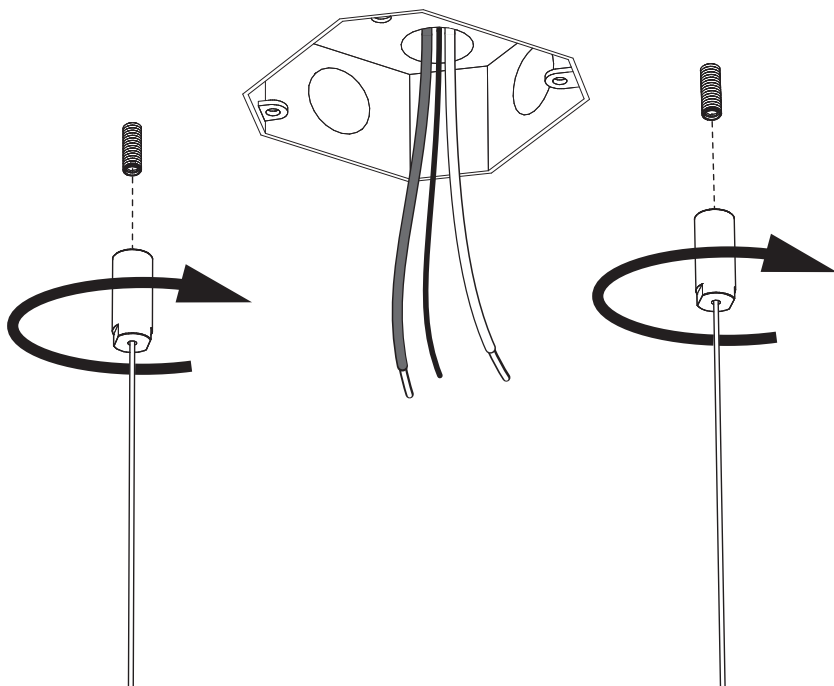
7



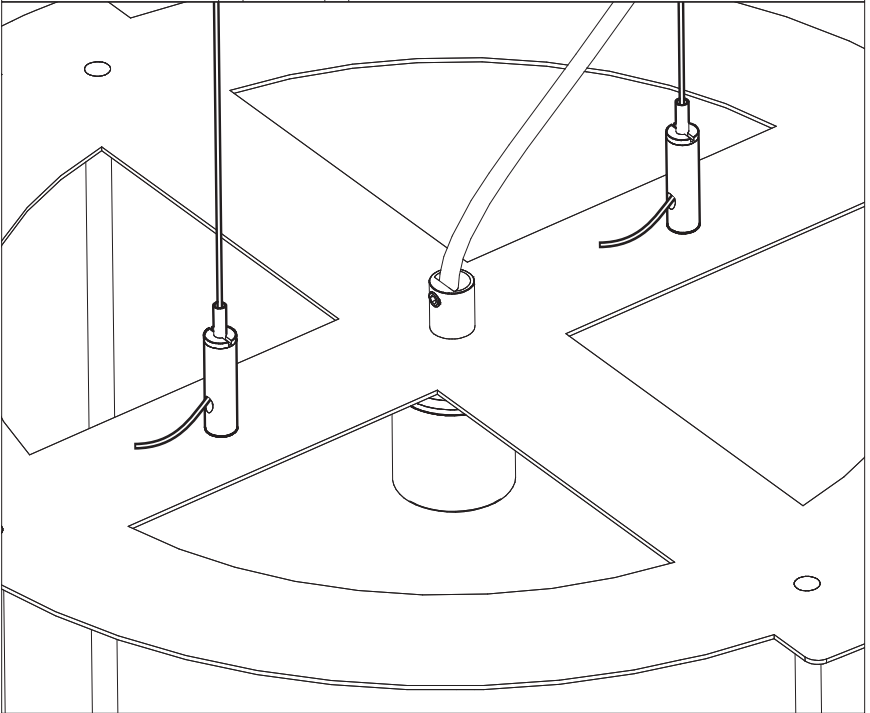
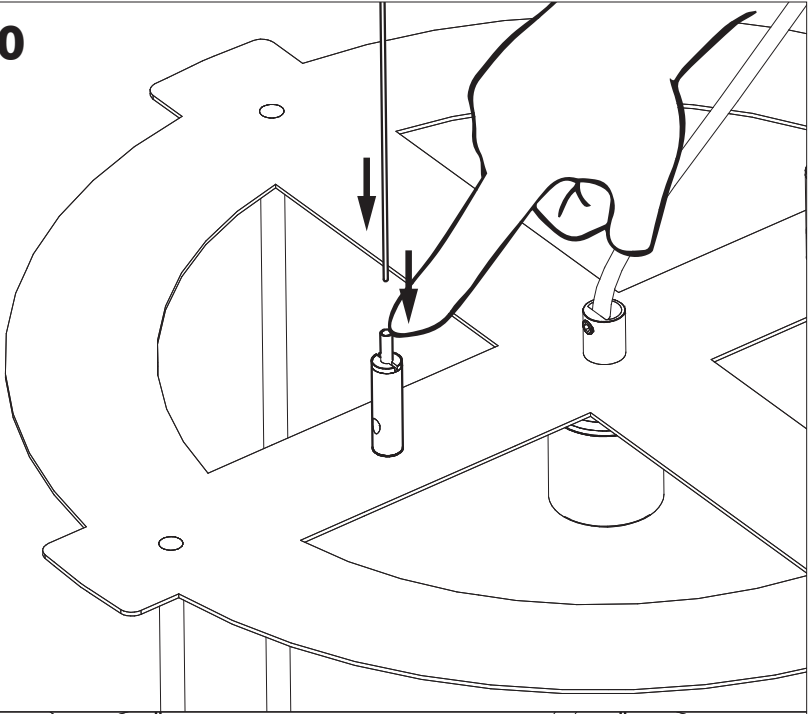
8



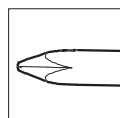
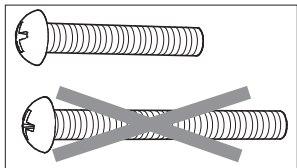
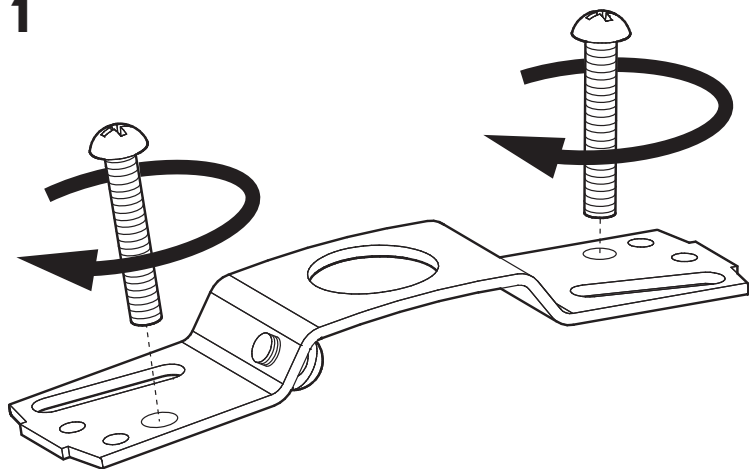
9



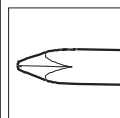
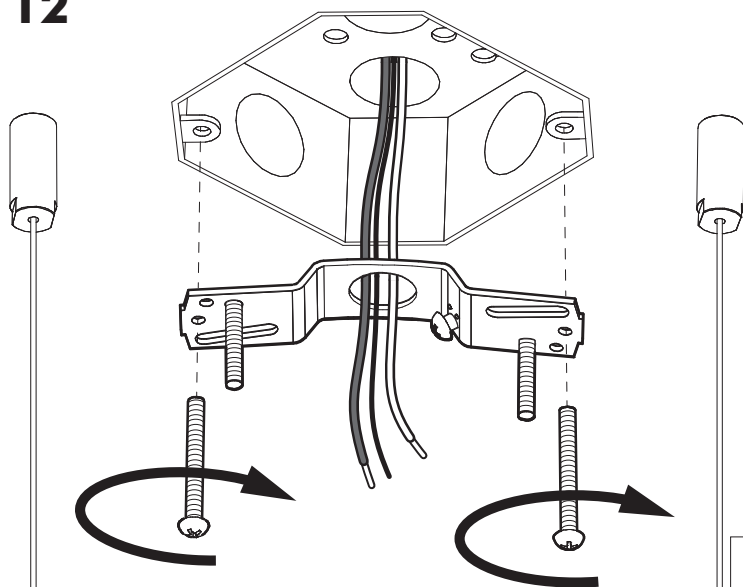
10



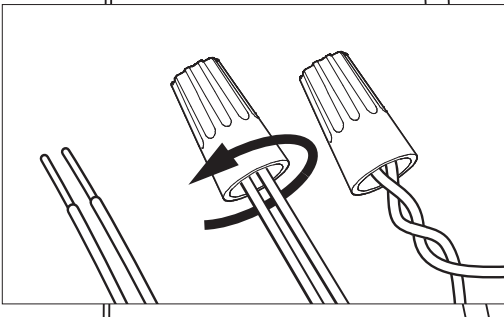
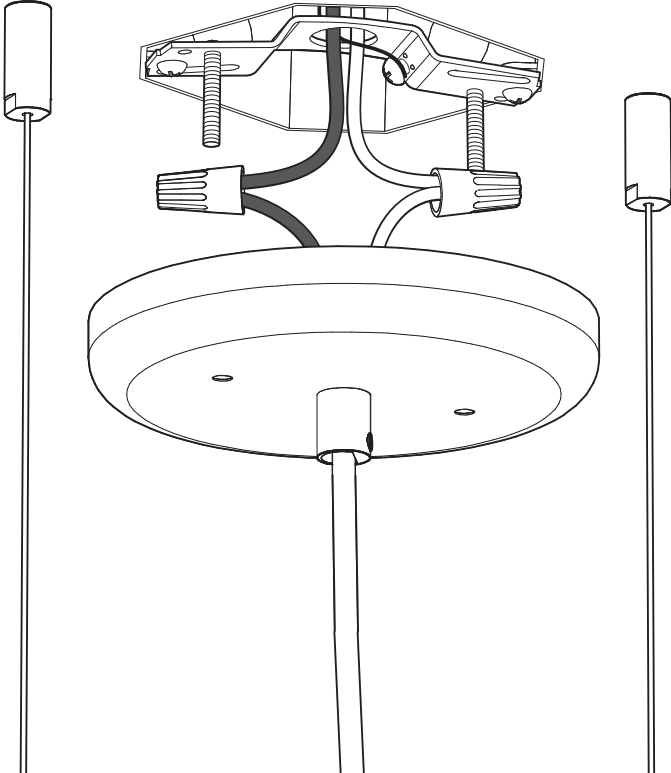
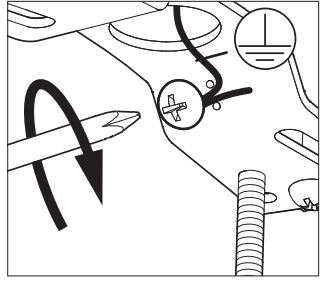
11



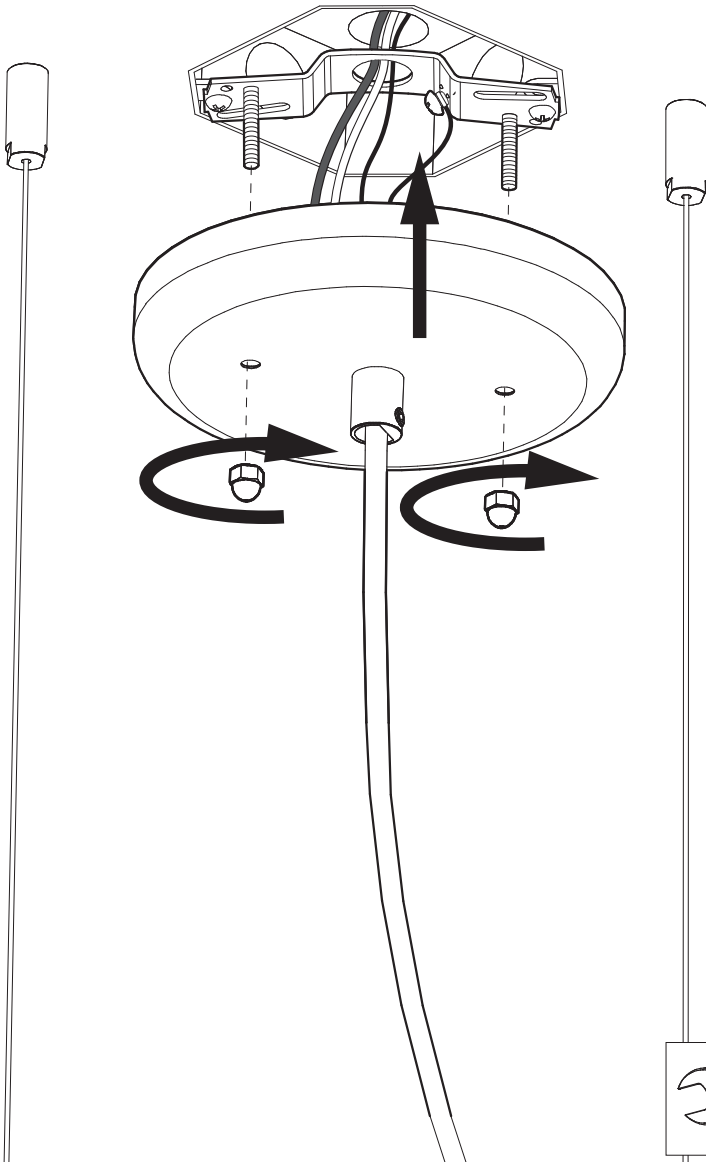
12



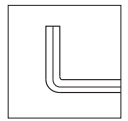
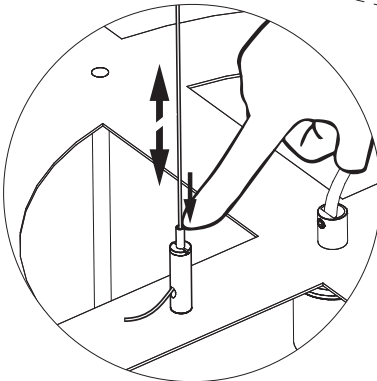
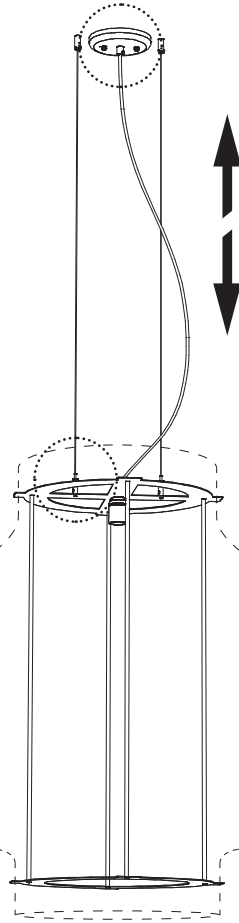
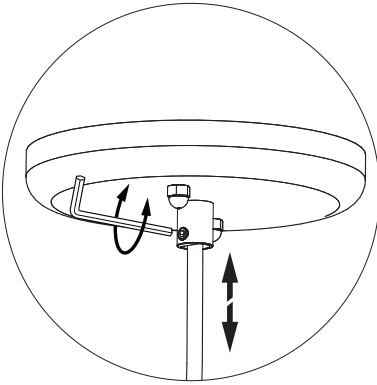
13



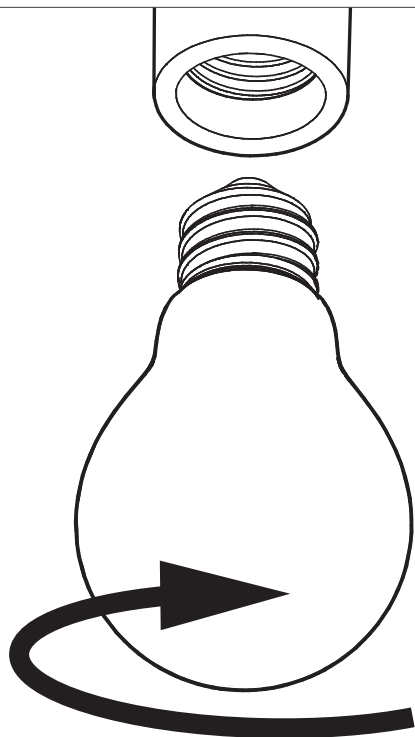
14



15



16



BuzziSpace Group NV
Italiëlei 8, 2000 Antwerp
Belgium

☎ +32 (0)3 846 10 00

✉ info@buzzi.space

🌐 www.buzzi.space



Doc nr.: A-0000001238/02

Last update: 04/12/2023