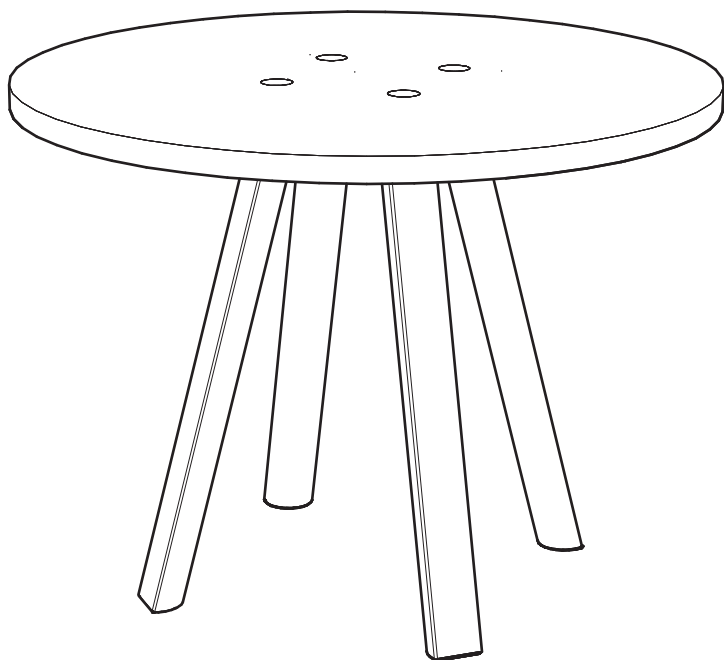
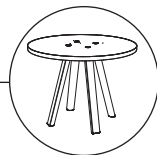


BuzziMilk Table

INSTALLATION MANUAL



BuzziMilk Table

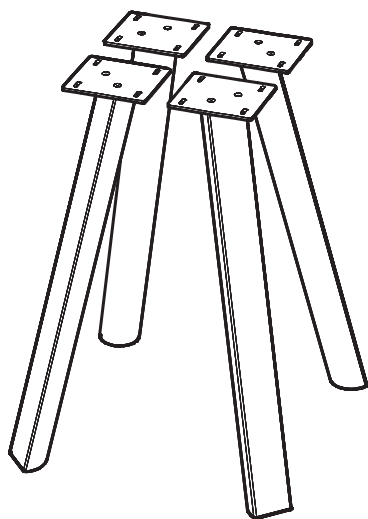
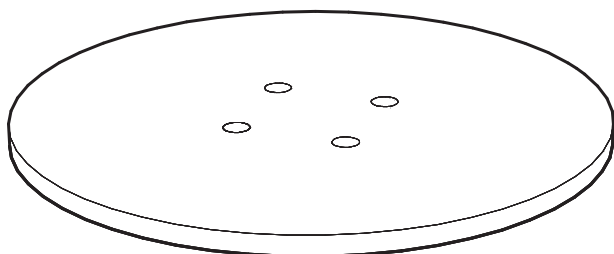


2 PERS.

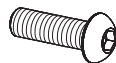
Excl.



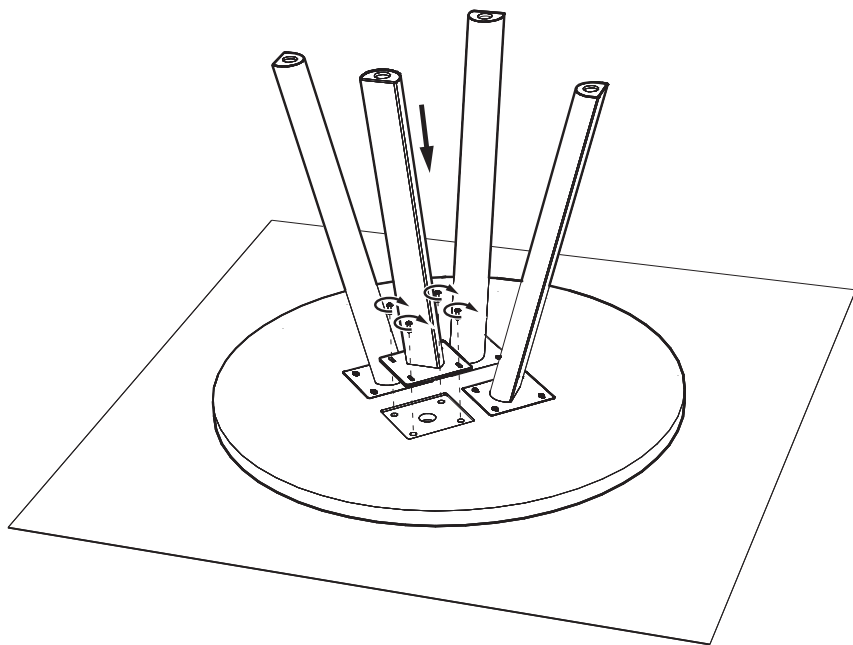
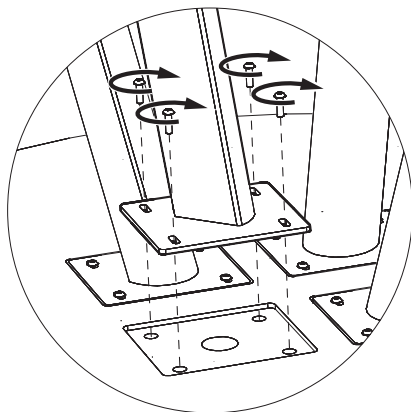
Incl.



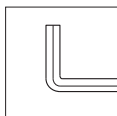
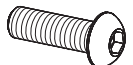
16x



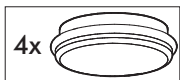
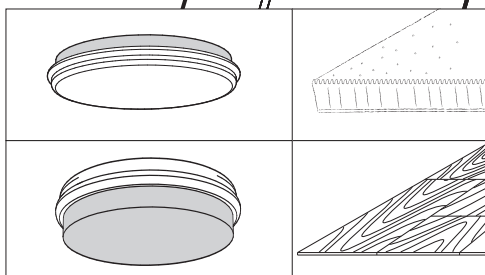
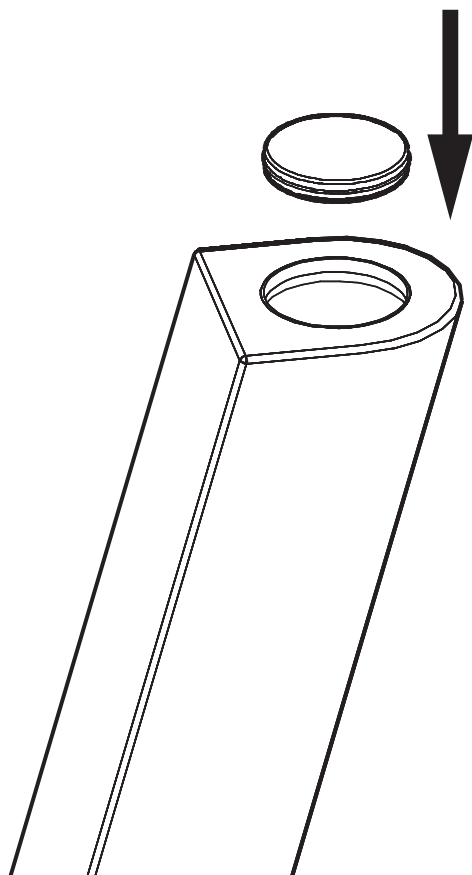
1



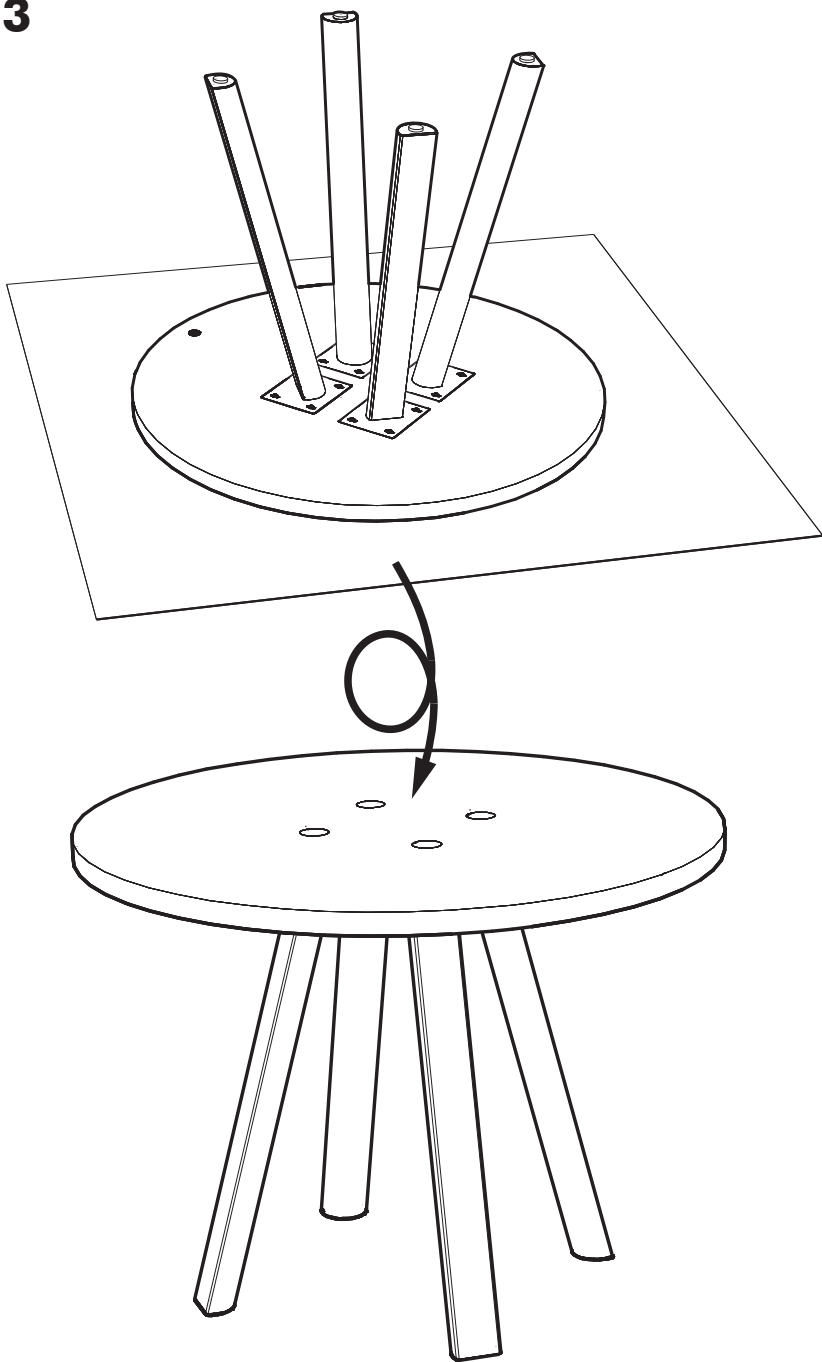
16x



2



3



BuzziSpace Group NV
Italiëlei 8, 2000 Antwerp
Belgium

☎ +32 (0)3 846 10 00

✉ info@buzzi.space

🌐 www.buzzi.space



Doc nr.: A-0000001806/01

Last update: 04/12/2023