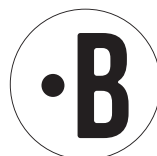
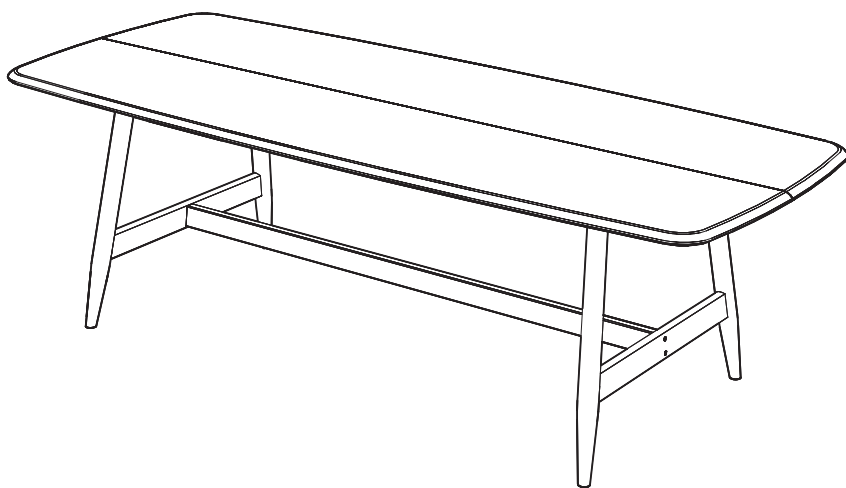


BuzziNordic ST600

Rectangular

INSTALLATION MANUAL

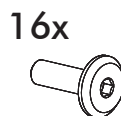
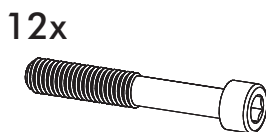
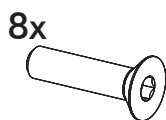
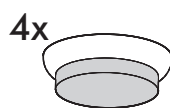
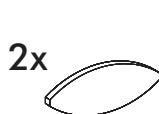
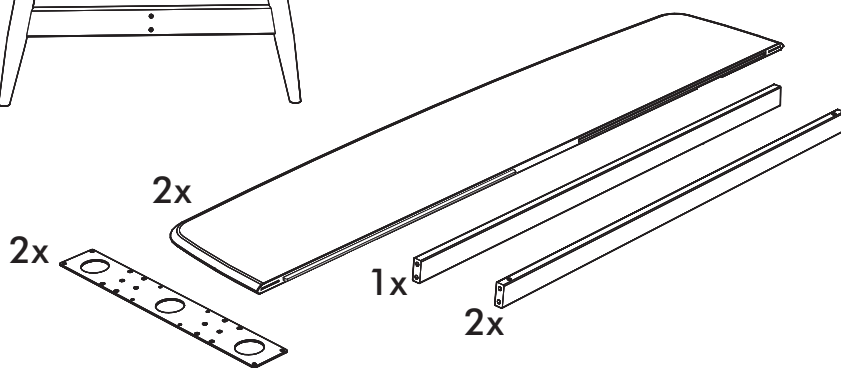
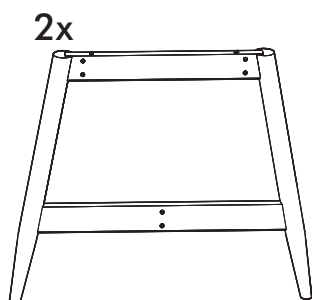
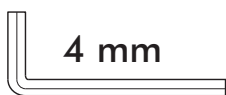


BuzziTabel

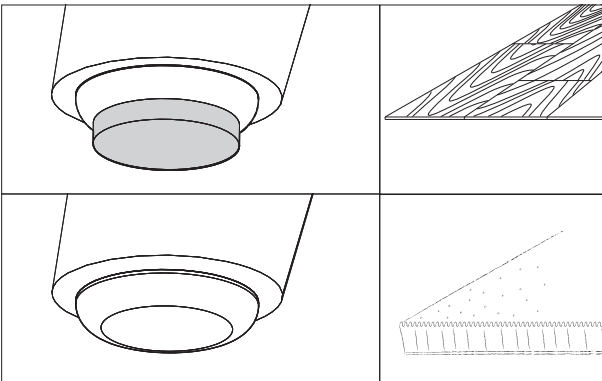
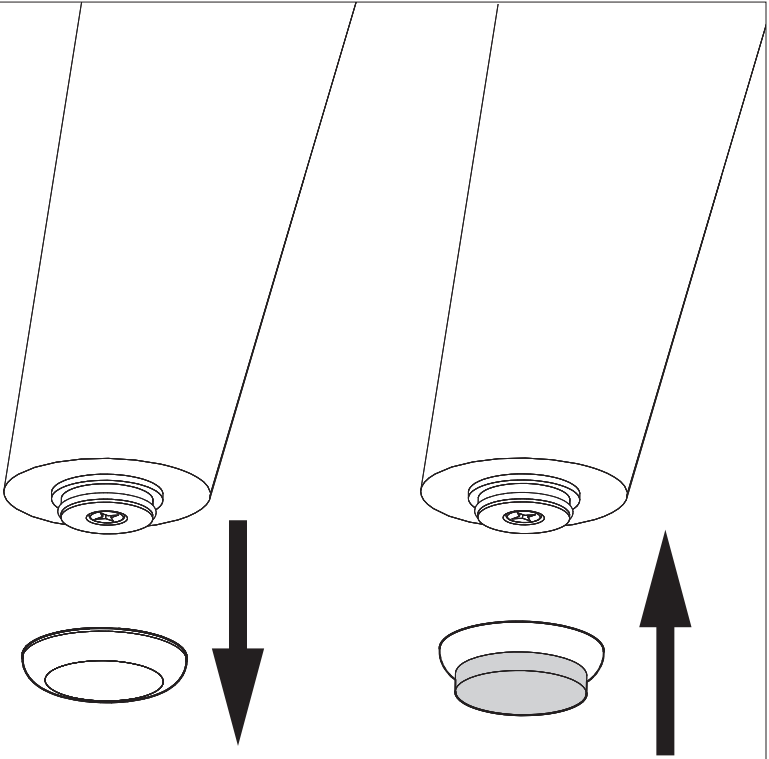


2 PERS.

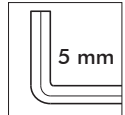
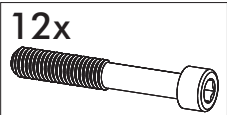
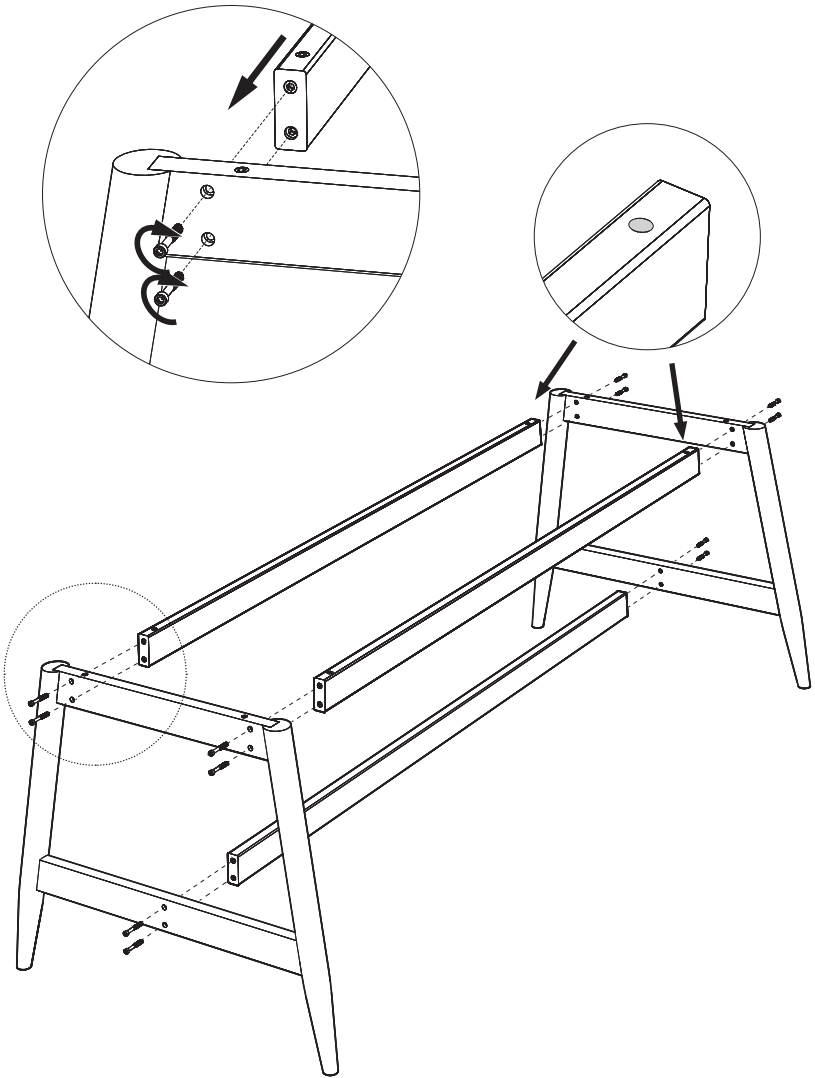
Included



!

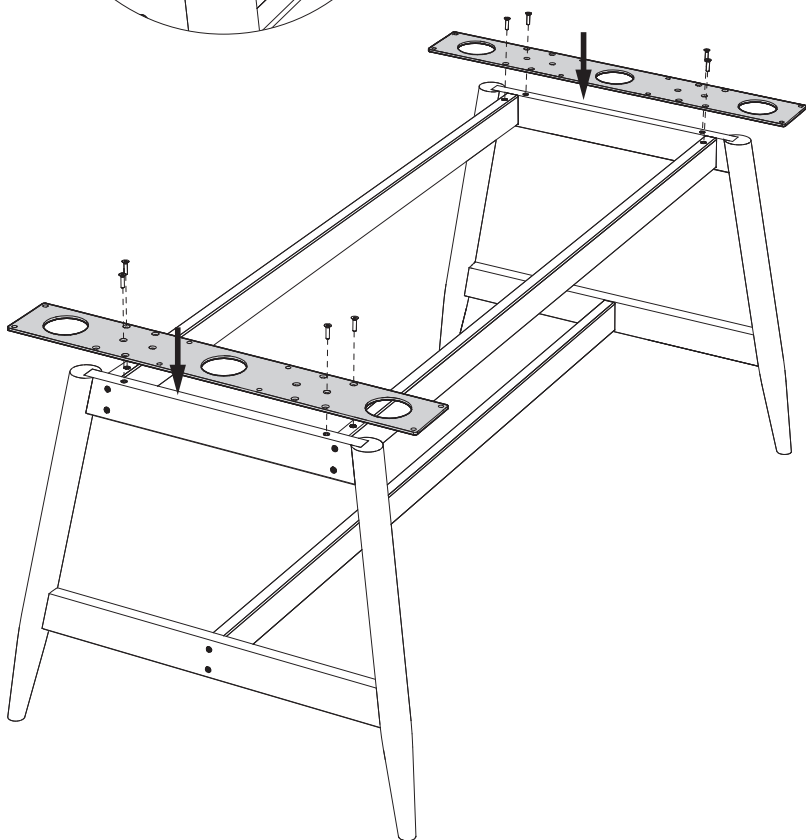
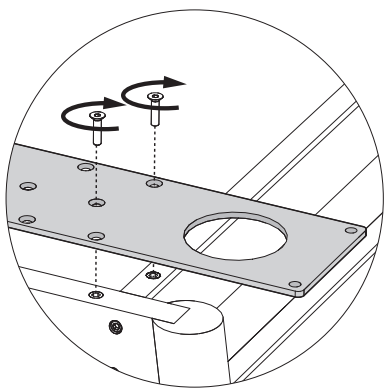


1

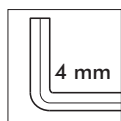
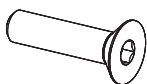


5 mm

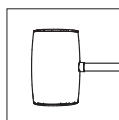
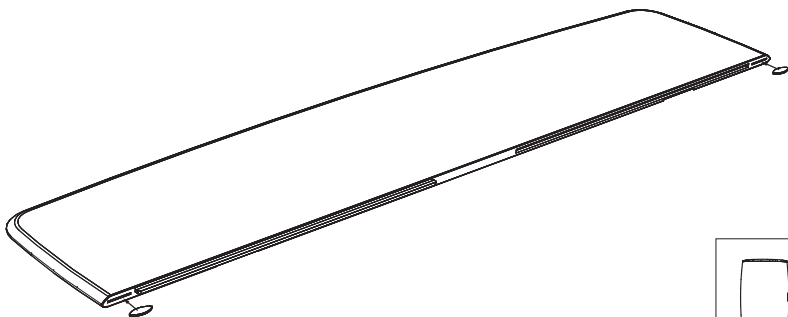
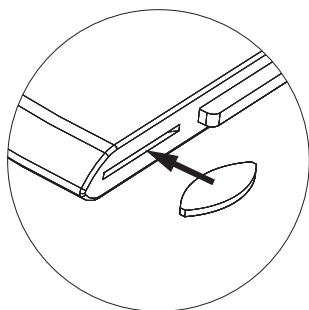
2



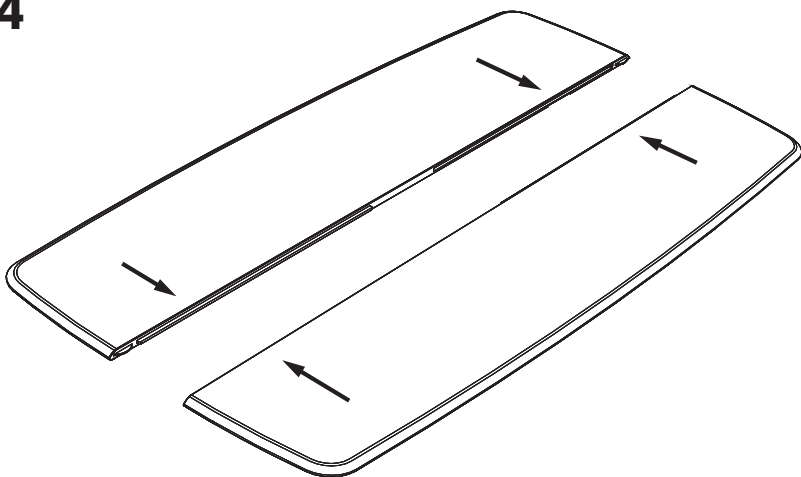
8x



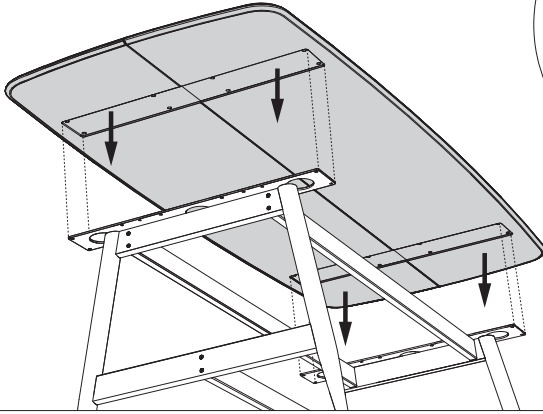
3



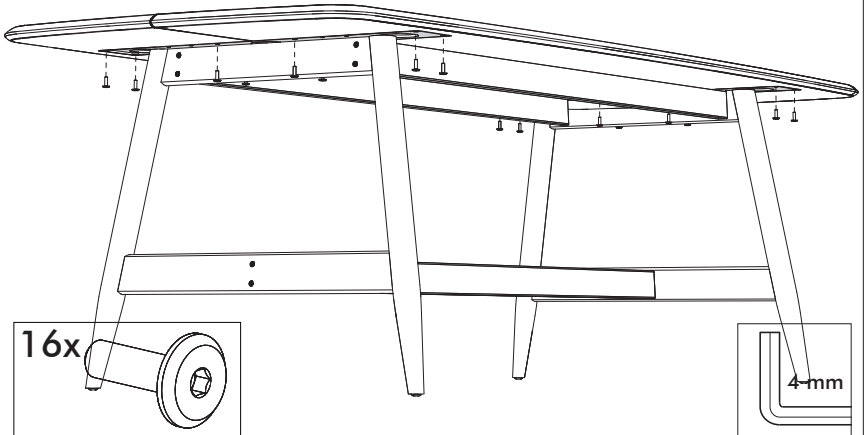
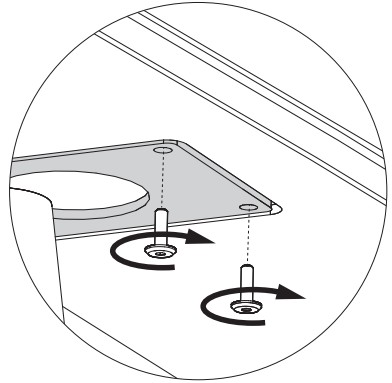
4



5



6

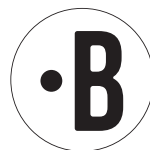


BuzziSpace Group NV
Italiëlei 8, 2000 Antwerp
Belgium

☎ +32 (0)3 846 10 00

✉ info@buzzi.space

🌐 www.buzzi.space



Doc nr.: A-000007389/02

Last update: 04/12/2023