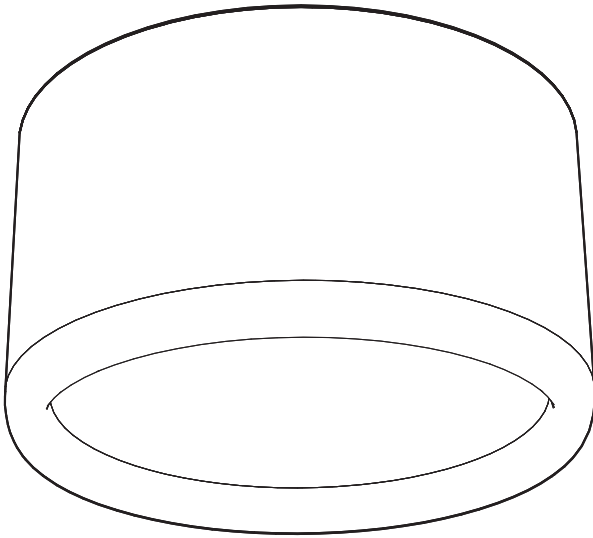


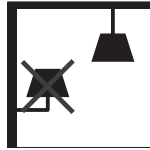
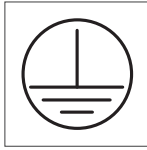
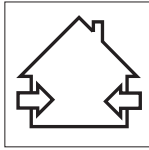
BuzziJet Ceiling Mounted

INSTALLATION MANUAL

110V-120V



Technical info

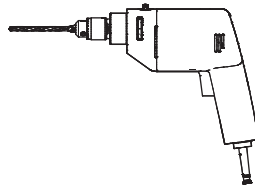
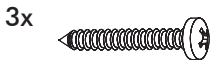
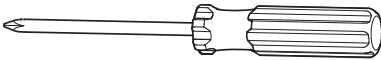


OR

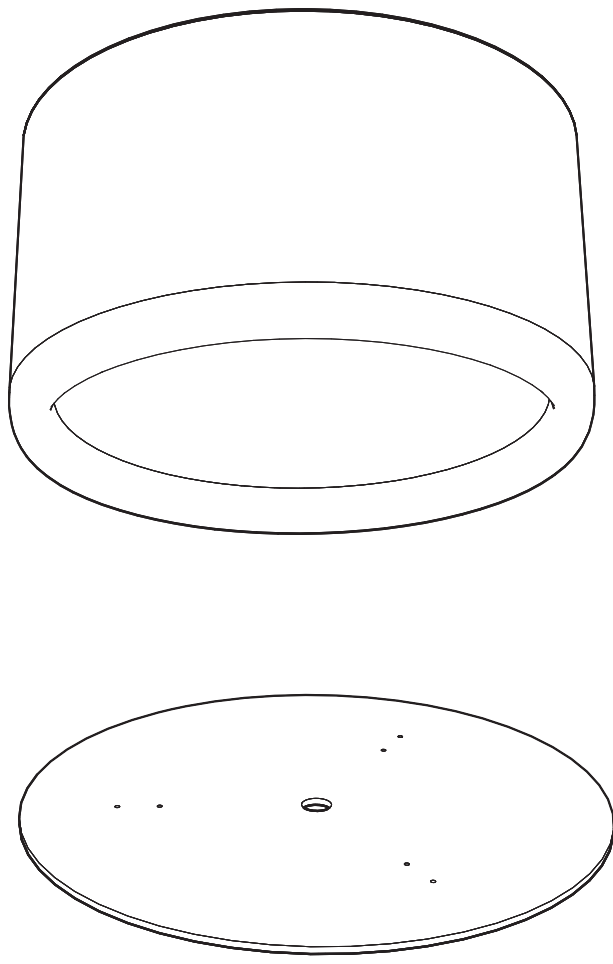


⚠ The light source of this luminaire is not replaceable; when the light source reaches its end of life the whole luminaire shall be replaced.

Excluded

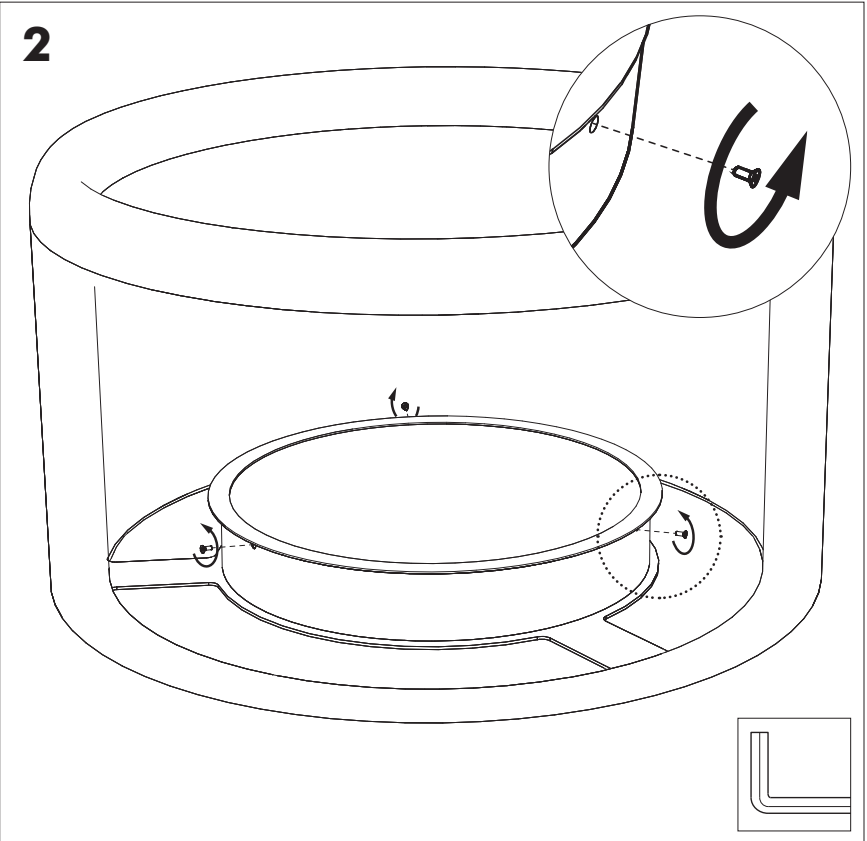
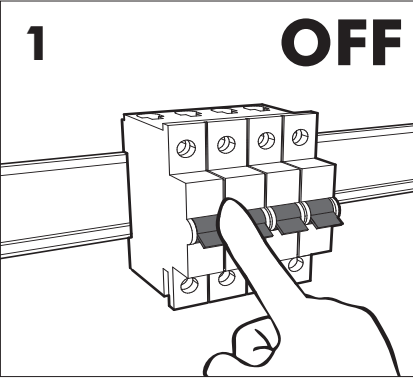
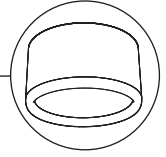


Included BuzziJet Ceiling Mounted

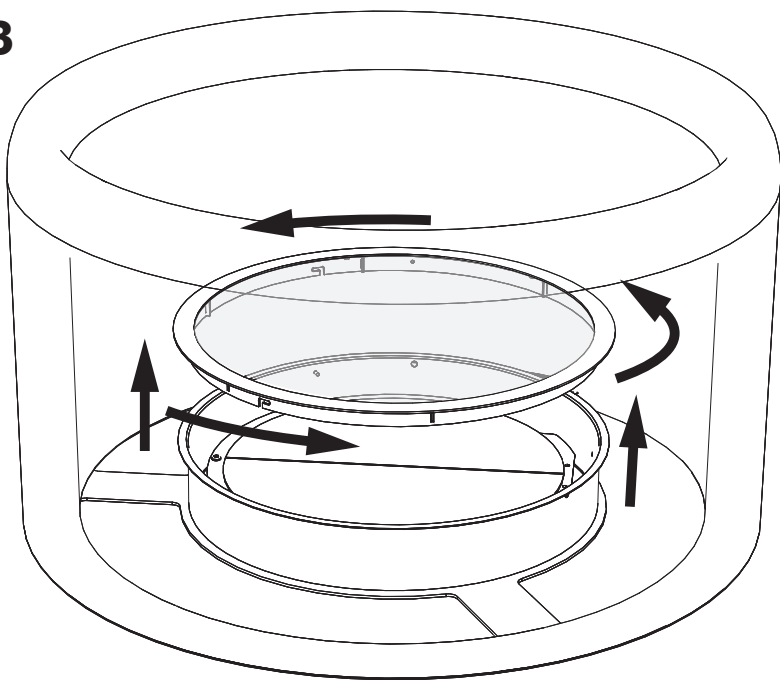


BuzziJet Ceiling Mounted

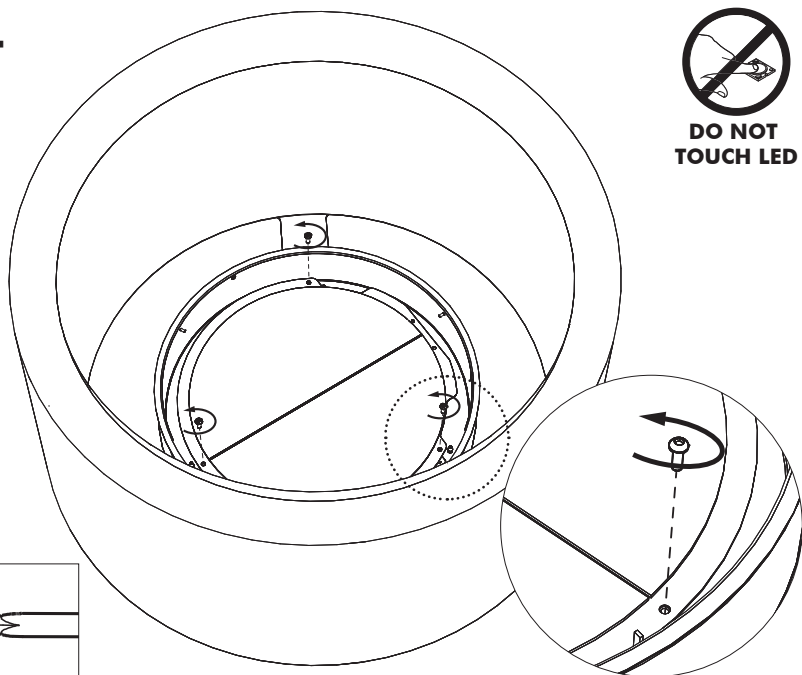
1 PERS. 



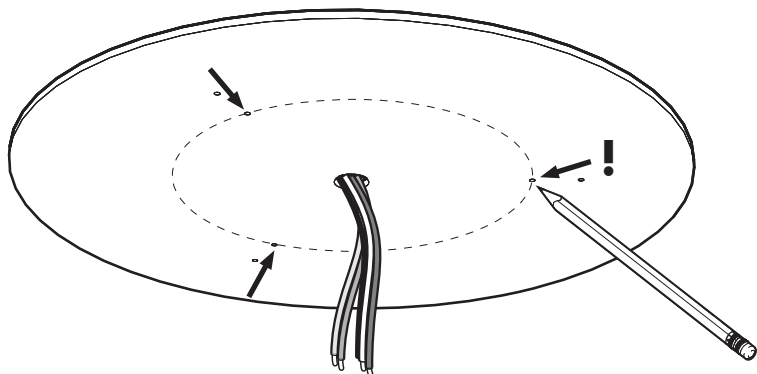
3



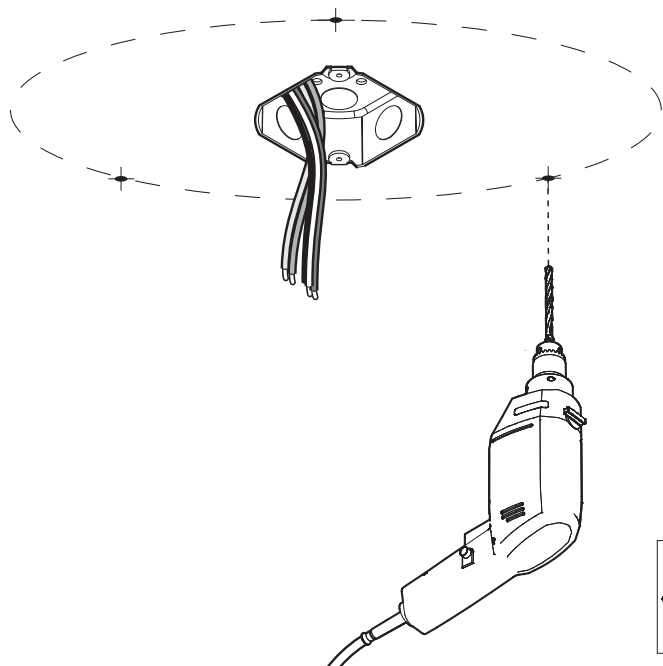
4



5

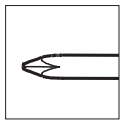
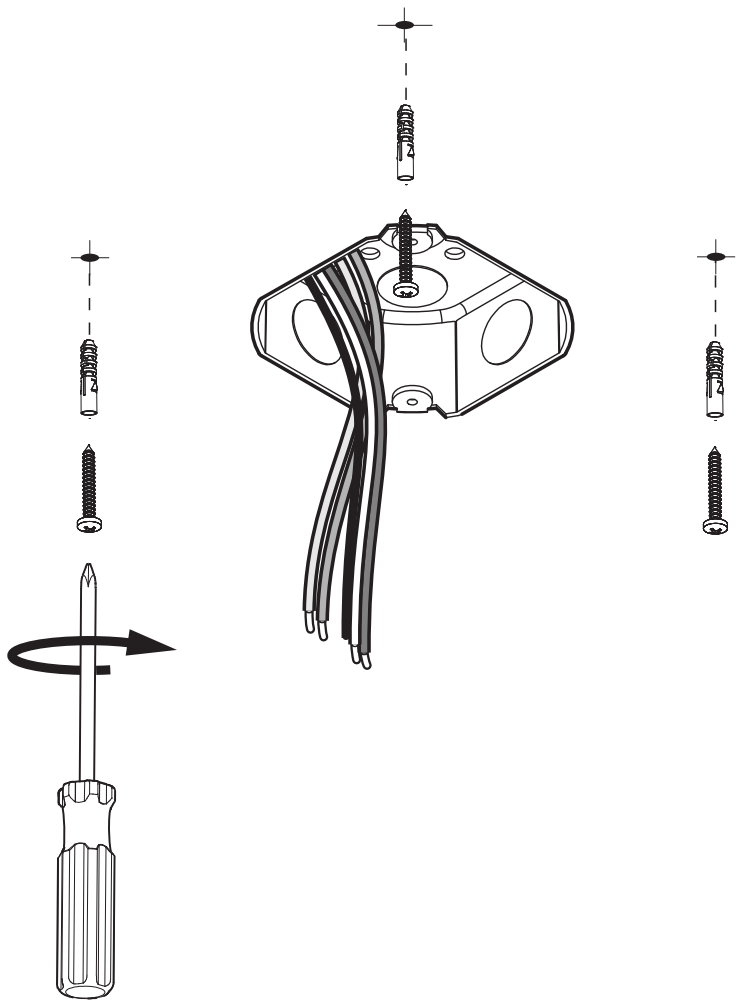


6

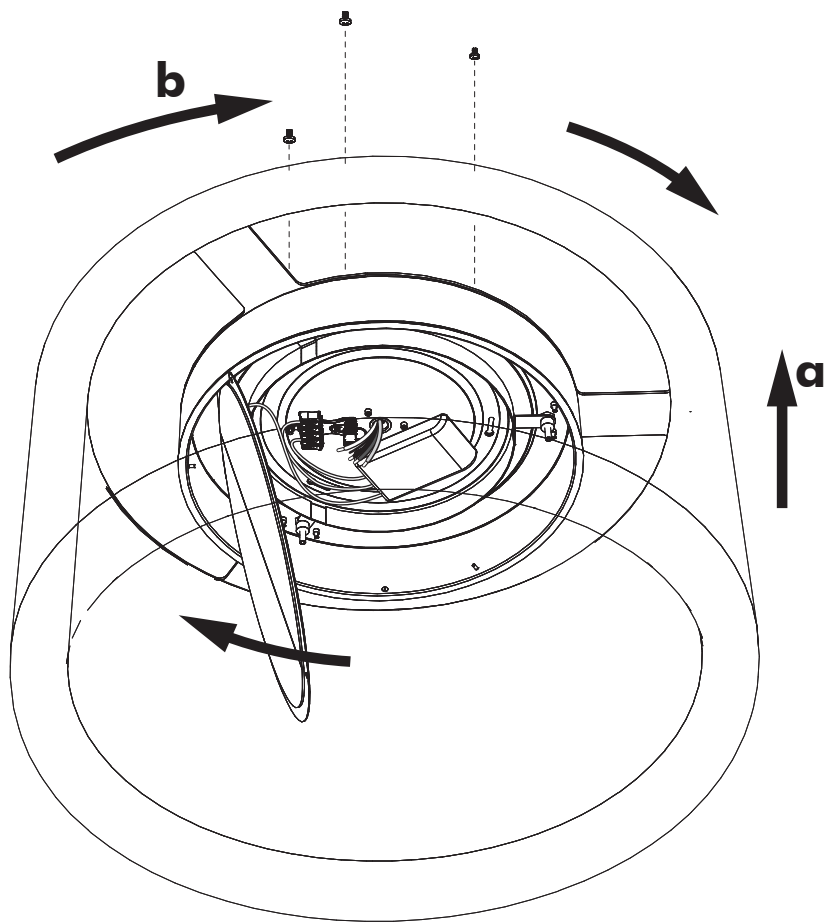
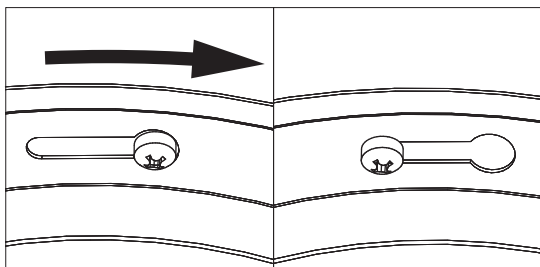


7

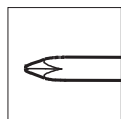
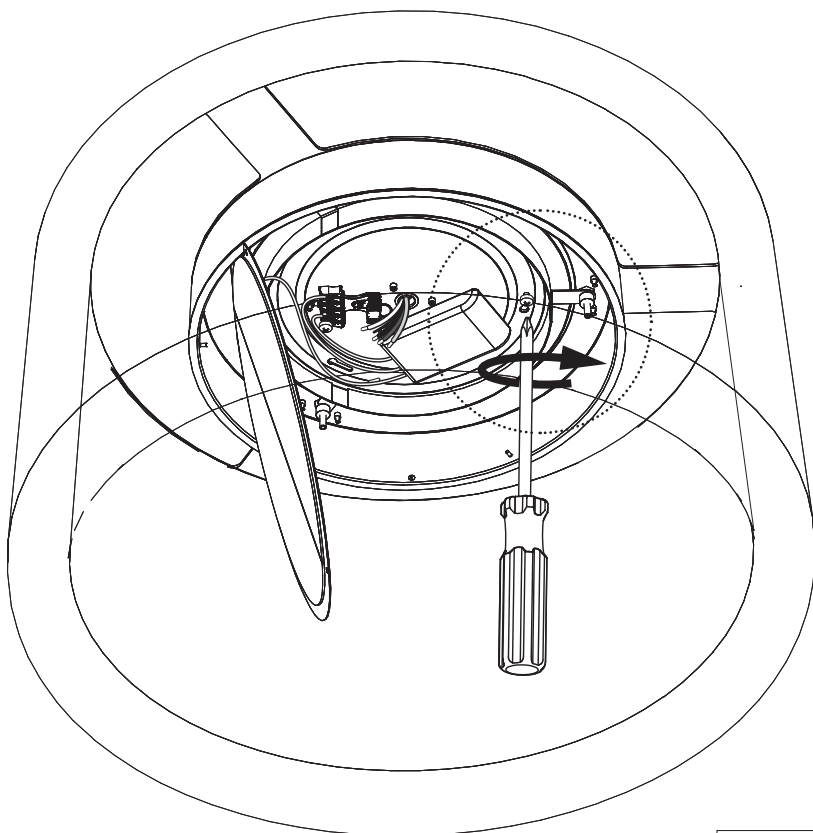
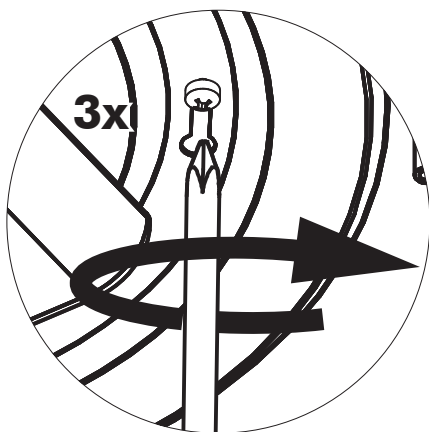
$\pm 0.5\text{cm}$
 $\pm 0.20''$
Max. $\varnothing 0,9\text{ cm}$
 $\varnothing 0.35''$



8



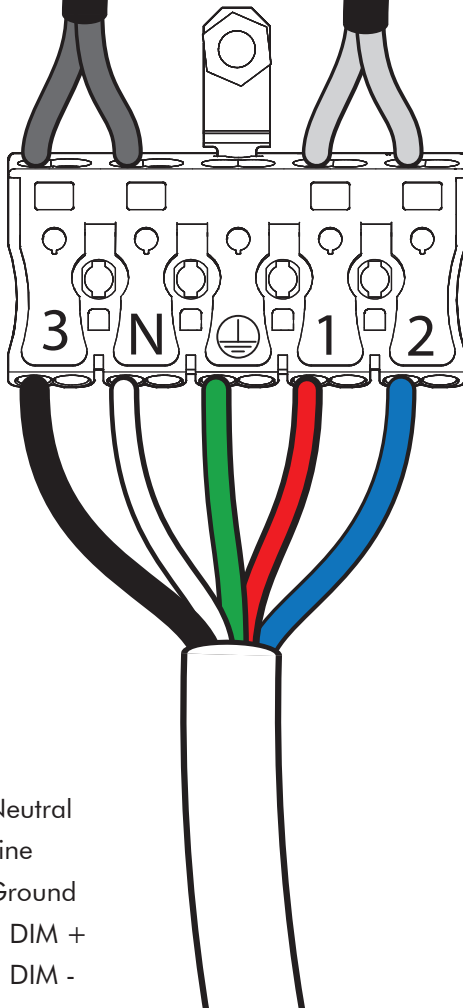
9



10a

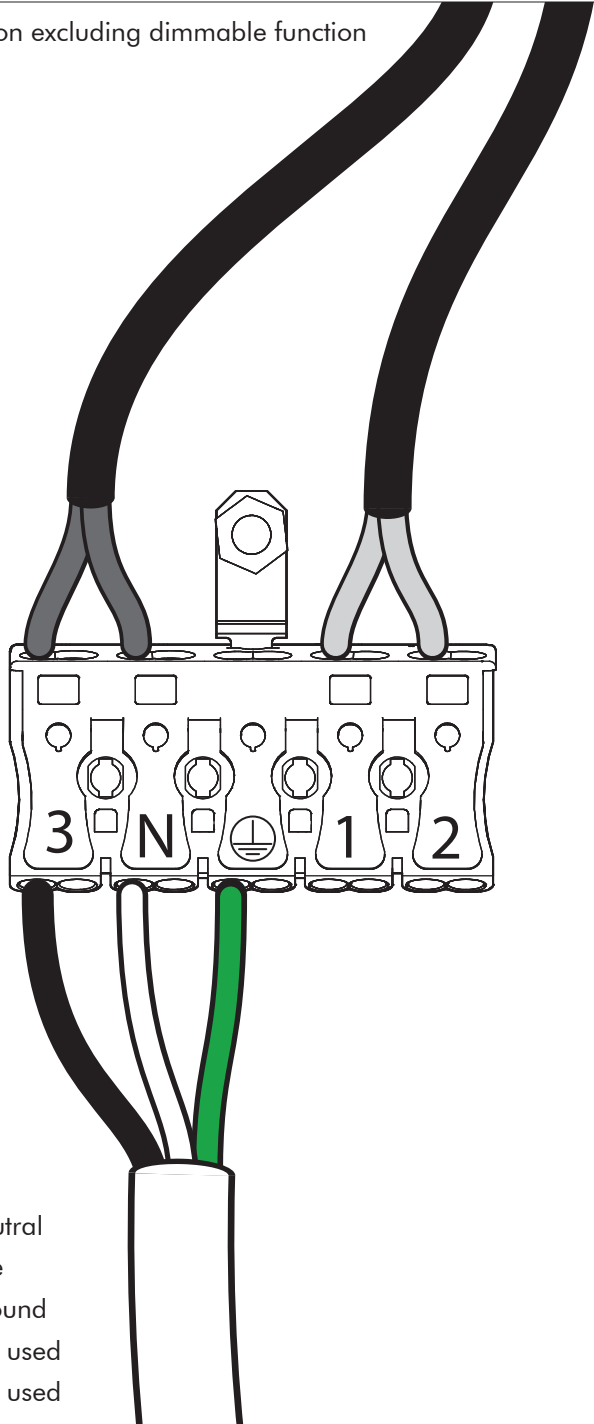


Connection including dimmable function



- | | |
|-------|---------|
| White | Neutral |
| Black | Line |
| Green | Ground |
| Red | 1 DIM + |
| Blue | 2 DIM - |

10b Connection excluding dimmable function

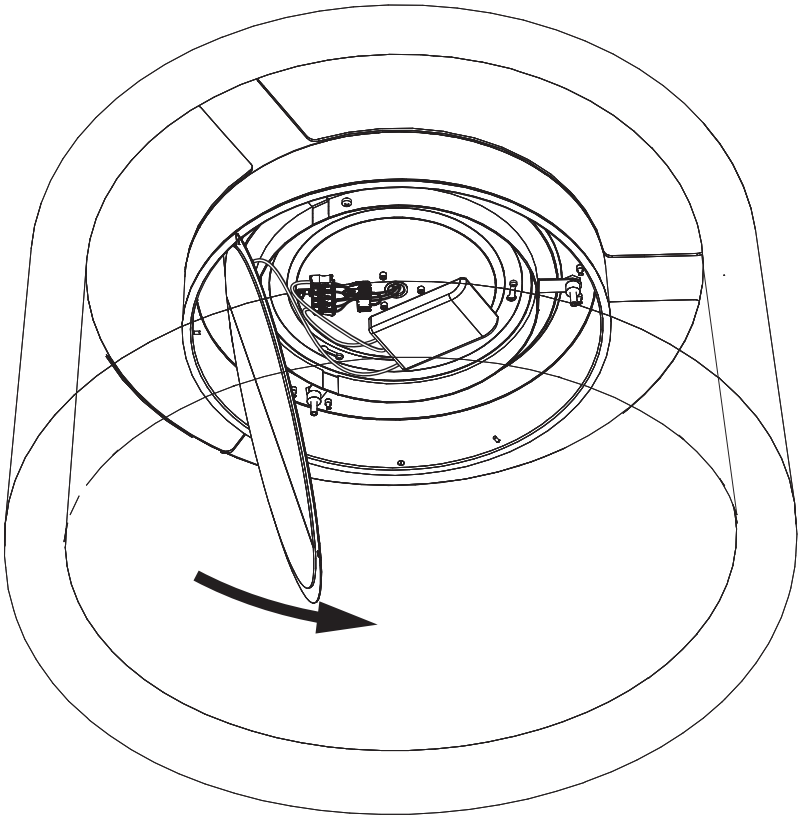


- | | |
|-------|----------|
| Blue | Neutral |
| Brown | Line |
| Green | Ground |
| 1 | Not used |
| 2 | Not used |

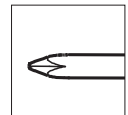
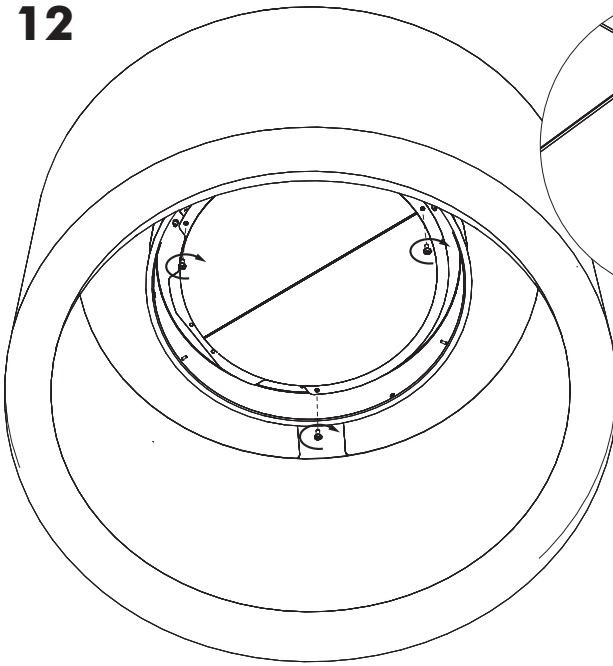
11



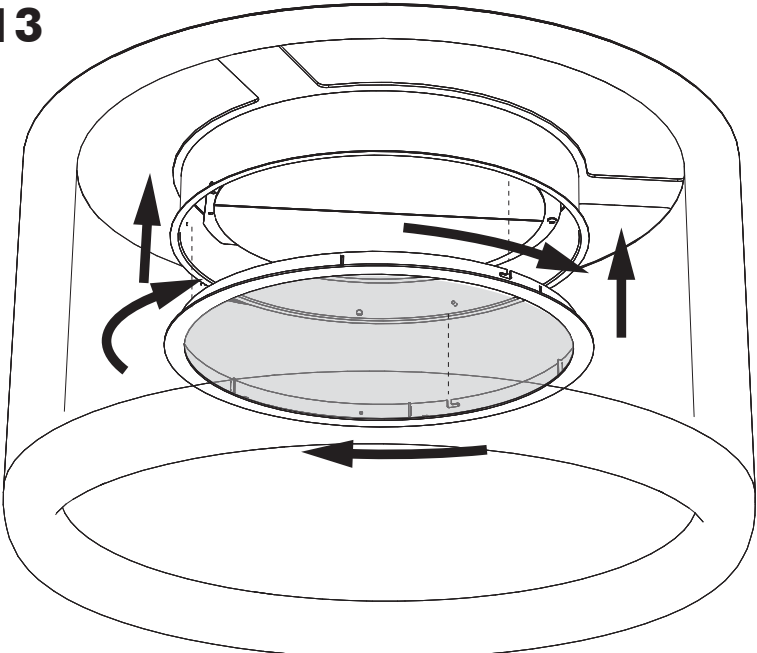
**DO NOT
TOUCH LED**



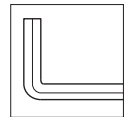
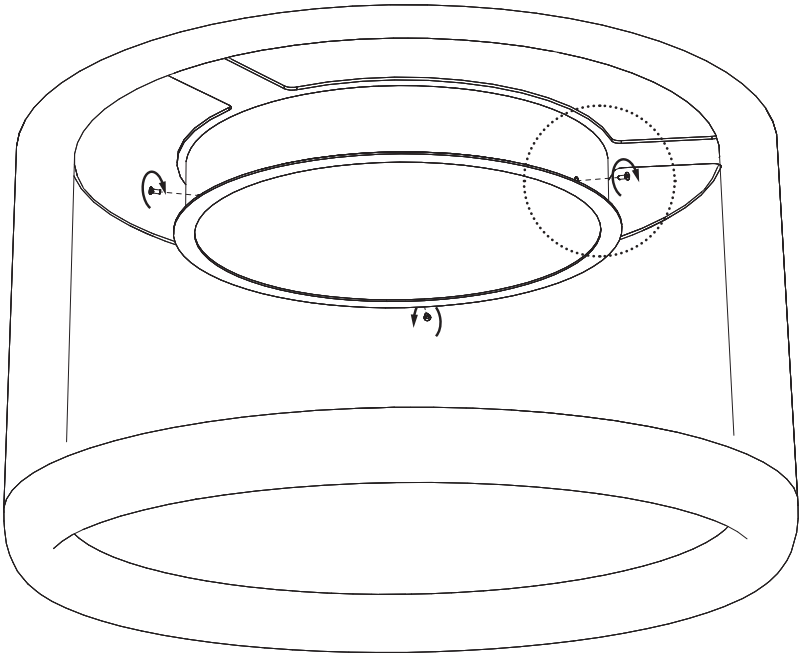
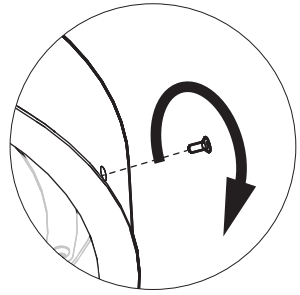
12



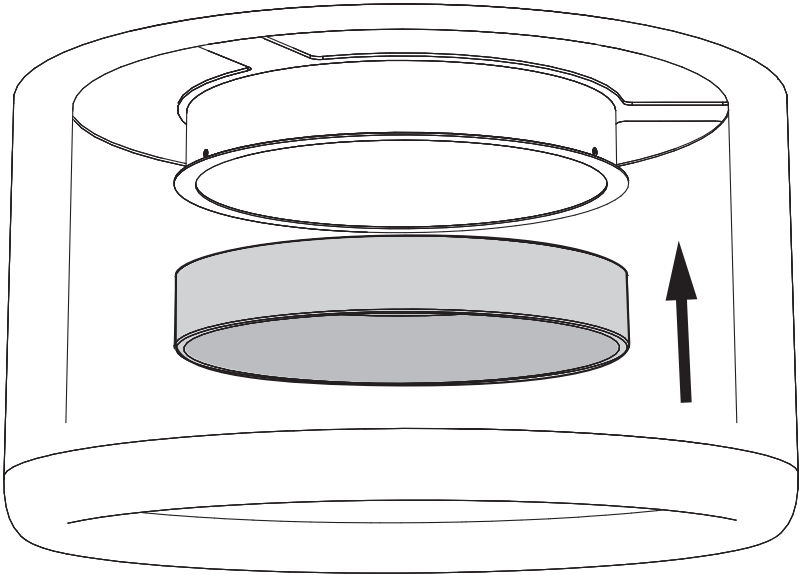
13



14



15

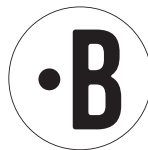


BuzziSpace Group NV
Italiëlei 8, 2000 Antwerp
Belgium

☎ +32 (0)3 846 10 00

✉ info@buzzi.space

🌐 www.buzzi.space



A-000007549/01

Last update: 30/11/2023