



Product Specification Sheet

BuzziJet Standing US

— By BuzziSpace Studio

Perfect Curve

BuzziJet Standing is a simple and stylish add-on to any lounge area or break-out zone. Designed with flexible and open spaces in mind, this sound-absorbing floor lamp brings personality to the space while offering a cosy and calm atmosphere. Its wide upholstered body and aerodynamic design, supported by an elegant curvy frame, will let you experience the importance of good acoustics. Moreover, create a warm and relaxed space through its dimming feature.



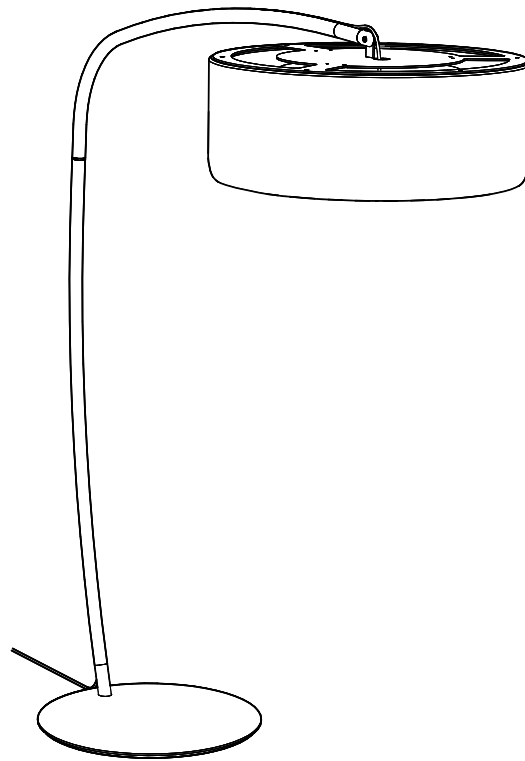
The Family

Model

BuzziJet Standing

Lighting Unit

**LED Disk
Ø 470**



Required order information

1. Fabric (CAT -> Collection -> Color)
2. Color Power Cable
3. Plug Type

Lighting Data

Lighting Unit

LED Disk Ø 470



The PMMA diffuser ensures an optimal light spread and efficiency. It creates a very diffuse light surface without any dottiness. The light source of the BuzziJet Standing is a LED PCB, containing 36 low power LED's.

Lighting specifications

BuzziJet Standing

Lighting Unit	Voltage	Wattage	Light Output Luminaire	Efficacy (Lm/W)	CRI	Dimming	Color Temperature	UGR	Standard (stock) On request (>LT)	Color Power Cable	Color Baseplate and arch	Fabric Collection	Fabric Color
LED Disk Ø 470	110-120V	21W	1900 Lm	90	95	Floordimmer	3000K	22	Standard	Black	Black	Use color codes below	Use color codes below
LED Disk Ø 470	110-120V	21W	1900 Lm	90	95	Floordimmer	3000K	22	Standard	Red	Black	Use color codes below	Use color codes below

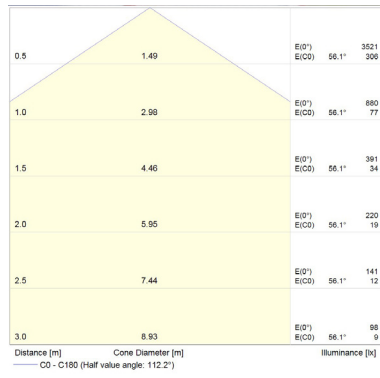


PEFC™ PEFC/07-32-385

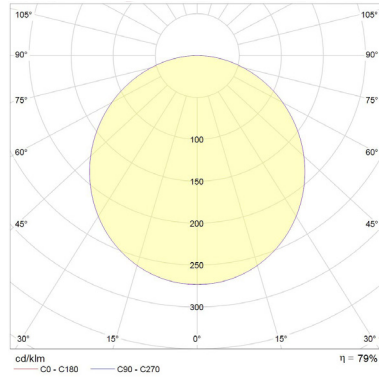
Photometric Data

BuzziJet Standing LED Disk Ø 470

LED Disk Ø 470 Cartesian diagram



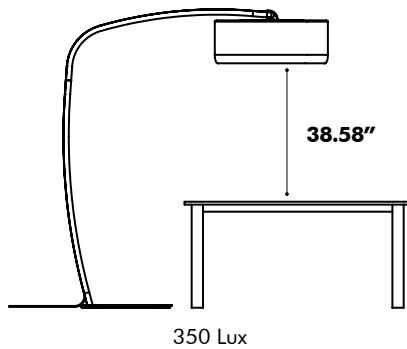
LED Disk Ø 470 Polar curve



Tips and Tricks - Light Options

To enlight your workplace with optimal lux levels take following measurements into account:

BuzziJet Standing LED Disk Ø 470

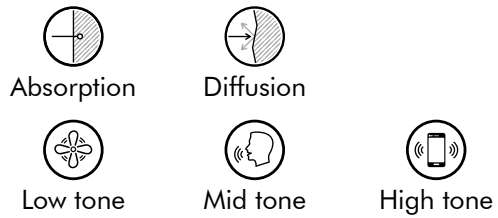


Product Data

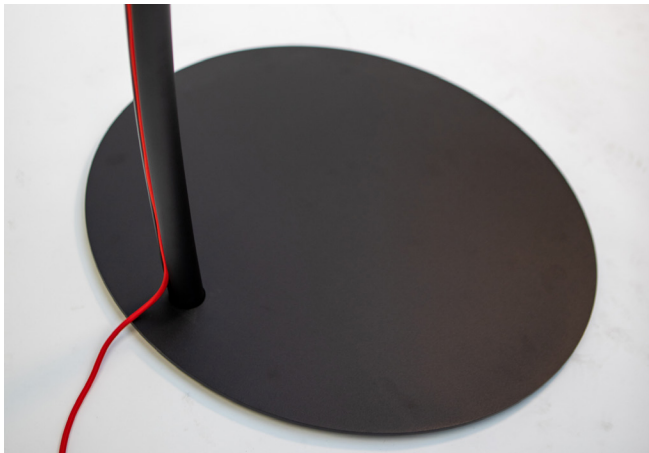
Acoustic Shade



The acoustic shade is upholstered top to bottom in a chosen fabric.
The Light source is wrapped with an upholstered ring in the same fabric as the acoustic shade.



Frame



As final touch the fabric cable is intentionally pushed into the curved shape frame, hiding all the screws and connections.
Select a red fabric power cable to create a detail that stands out or choose a black one to create an elegant layout.

Dimming

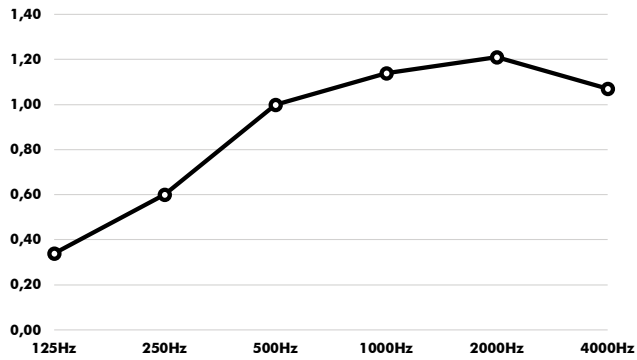


You can choose a more energized or intimate atmosphere by dimming the light.

Acoustics

BuzziJet Standing

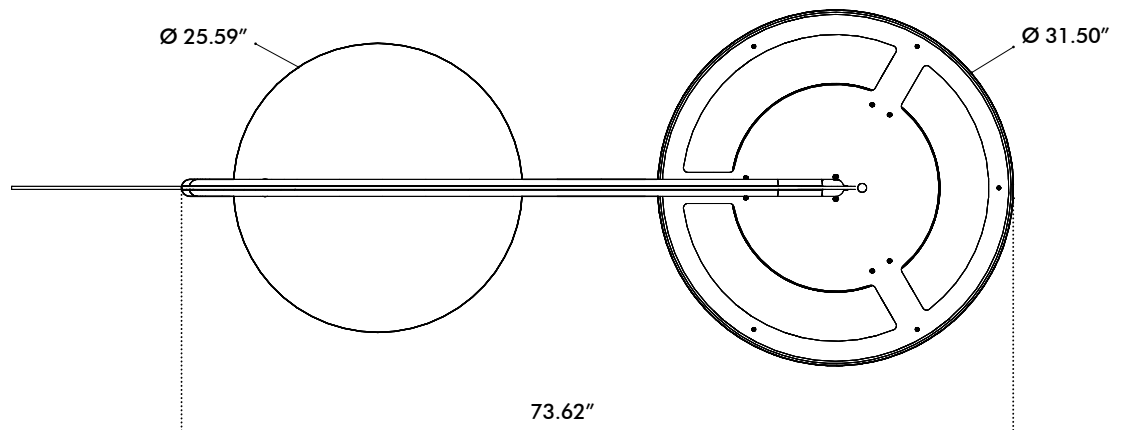
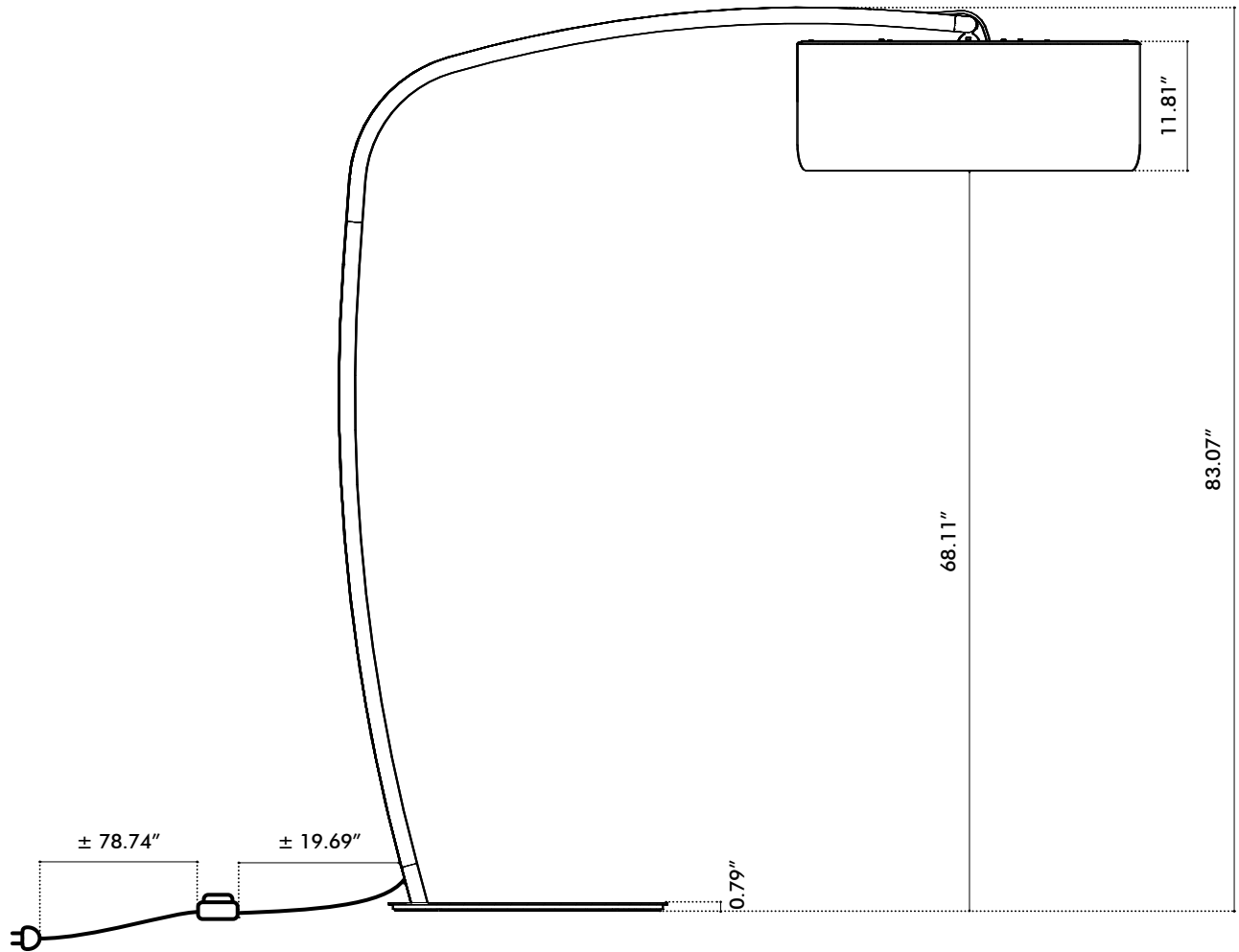
Equivalent sound absorption area in m² per object



Hz	Aeq/m ²
125	0.34
250	0.60
500	1.00
1000	1.14
2000	1.21
4000	1.07

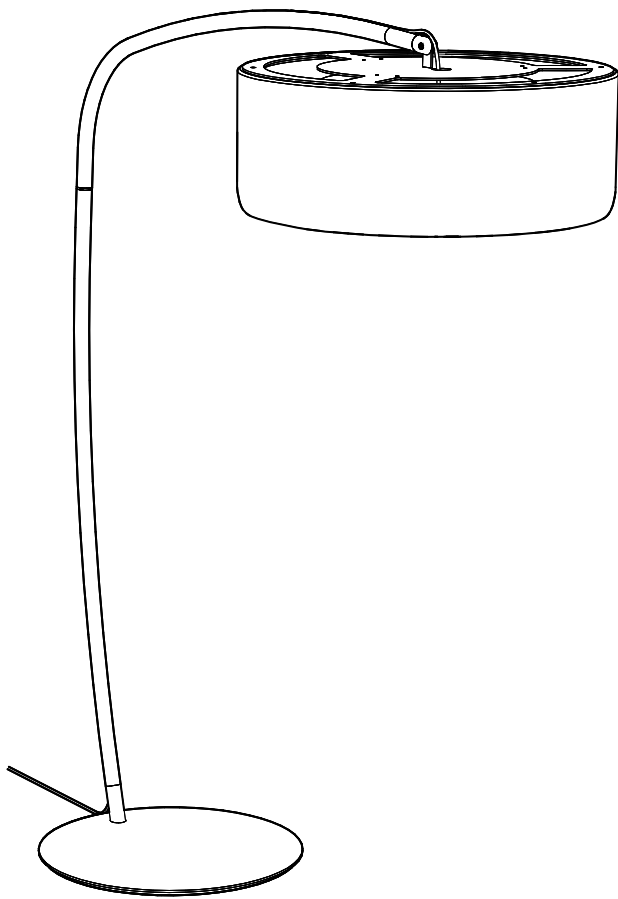
Dimensions

BuzziJet Standing



Weights

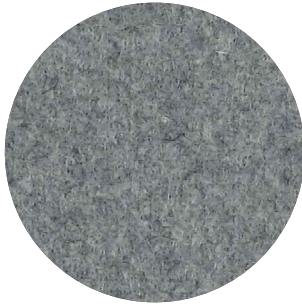
BuzziJet Standing



⚖ Total: 149.92 lbs
Baseplate: 99.21 lbs
Arch & Shade: 50.71 lbs

Fabrics

Fabric (45 colors)



Category A

Composition 70% Recycled Wool, 25% Recycled Polyacryl,
5% Recycled Other Fabrics

Weight 405 g/m² | 11.94 oz/yd²

Abrasion resistance 40.000 Martindale, 50,000 Wyzenbeek

Flammability EU: EN 1021.1/2006 | BS EN 1021.1/2006 (cigarette).
EN 1021.2/2006 | BS EN 1021.2/2006 (match)
USA: CAL TB 117 | ASTM E84 CLASS A

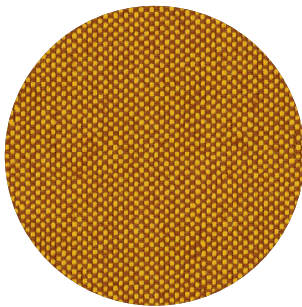
Fastness to light EU: 4 | USA 4

Fastness to rubbing EU: Wet 3-4 | Dry 4-5

Fastness to crocking USA: Wet 5 | Dry 5



Trevira CS+ | CS (47 colors)



Category A

Weight 420 g/m² | 12.39 oz/yd²

Composition 100% Polyester, Trevira CS

Abrasion resistance 100.000 Martindale, 90,000 Wyzenbeek

Flammability BS 5852 part II: CRIB 5 | BS 7176 Medium Hazard
USA: CAL TB 117 | M1 | B1 | EN 1021/1-2 | C1 |
IMO Res. A652 (16)

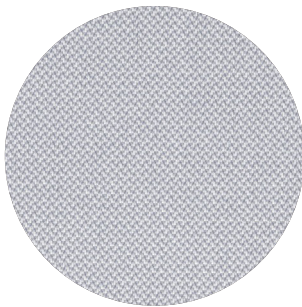
Fastness to light EU: 6 | USA 5

Fastness to rubbing EU: Wet 4-5 | Dry 4-5

Fastness to crocking USA: Wet 5 | Dry 5



Revive 1 (25 colors)



Category A

Composition 100% recycled polyester FR

Weight 430 g/lin.m

Abrasion resistance 60.000 Martindale rubs, EN ISO 12947

Flammability EN 1021-1/2 | DIN 4102 B1 | Önorm B1/Q1
UNI 9175 1IM | US Cal. Tech. Bull. 117
IMO A.652 (16)

Fastness to light Note 5-7, ISO 105-B02

Fastness to rubbing (ISO) dry 5, wet 4-5

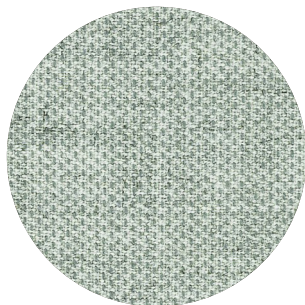
Pilling Note 4-5, EN ISO 12945



kvadrat

Clara 2 (24 colors)

kvadrat



Category B

Composition 92% new wool, 8% nylon

Weight 400 g/lin.m

Abrasion resistance 80.000 Martindale rubs, EN ISO 12947

Flammability EN 1021-1/2 | BS 5852, ignition source 2-3 | DIN 4102 B2
NF D 60 013 | UNI 9175 11M | US Cal. Tech. Bull. 117, Sec. E
NFPA 260 | IMO A.652(16)

Fastness to light Note 5-7, ISO 105-B02

Fastness to rubbing (ISO) dry 4-5, wet 4

Pilling Note 4, EN ISO 12945



Remix 3 (73 colors)

kvadrat



Category B

Composition 90% new wool, 10% nylon

Weight 415 g/lin.m

Abrasion resistance 100.000 Martindale rubs, EN ISO 12947

Flammability EN 1021-1/2 | BS 5852 part 1
Önorm B1/Q1 | NF D 60 013 | UNI 9175, 11M
AS/NZS 1530.3 | Cal. Tech. Bull. 117-2013
NFPA 260 | IMO FTP Code 2010:Part 8

Fastness to light Note 5-7, ISO 105-B02

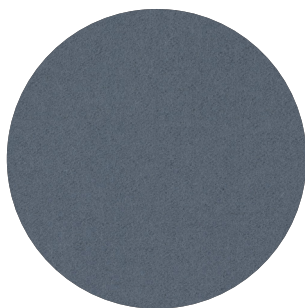
Fastness to rubbing (ISO) dry 4-5, wet 4

Pilling Note 4, EN ISO 12945



Hero 2 (33 colors)

kvadrat



Category C

Composition 97% new wool, 3% nylon

Weight 580 g/lin.m

Abrasion resistance 45.000 Martindale rubs, EN ISO 12947

Flammability EN 1021-1/2 | DIN 4102 B2 | NF D 60 013
UNI 9175 11M | US Cal. Bull. 117-2013 | NFPA 260
IMO A.652 (16)

Fastness to light Note 5-6, ISO 105-B02

Fastness to rubbing (ISO) dry 4-5, wet 4-5

Pilling Note 3-4, EN ISO 12945



Tonus 4 (47 colors)

kvadrat



Category D

Composition 90% new wool, 10% Helanca

Weight 665 g/lin.m

Abrasion resistance 100.000 Martindale rubs, EN ISO 12947

Flammability EN 1021-1/2 | BS 5852 part 1 | DIN 4102 B2

Önorm B1/Q1 | NF D 60 013 | UNI 9175 11M

US Cal. Bull. 117-2013 | NFPA 260 | IMO A.652 (16)

Fastness to light Note 5-7, ISO 105-B02

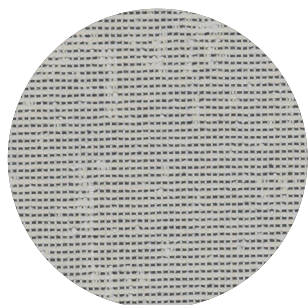
Fastness to rubbing (ISO) dry 3-5, wet 3-5

Pilling Note 3, EN ISO 12945



Memory 2 (20 colors)

kvadrat



Category E

Composition 100% Trevira CS

Weight 700 g/lin.m

Abrasion resistance

35.000 rubs acc. to the Martindale method, EN ISO 12947

Flammability EN 1021-1/2 | DIN 4102 B1 | Önorm B1/Q1

NF D 60 013 | NF P 92 507 M1 | UNI 9175 11M

UNI 9177 classe 1 | US Cal. Tech. Bull. 117

IMO A.652 (16)

Fastness to light Note 5-8, ISO 105-B02

Fastness to rubbing (ISO) dry 4-5, wet 4-5

Pilling Note 4, EN ISO 12945

