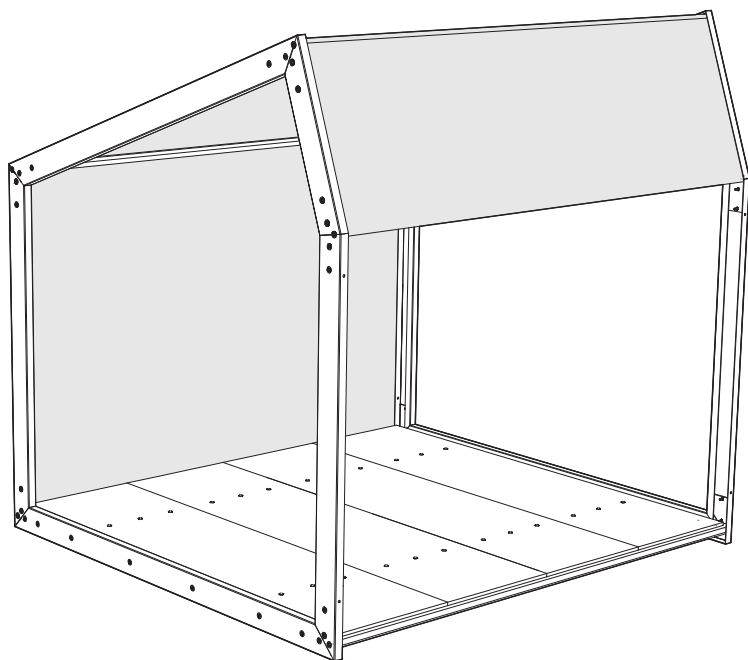
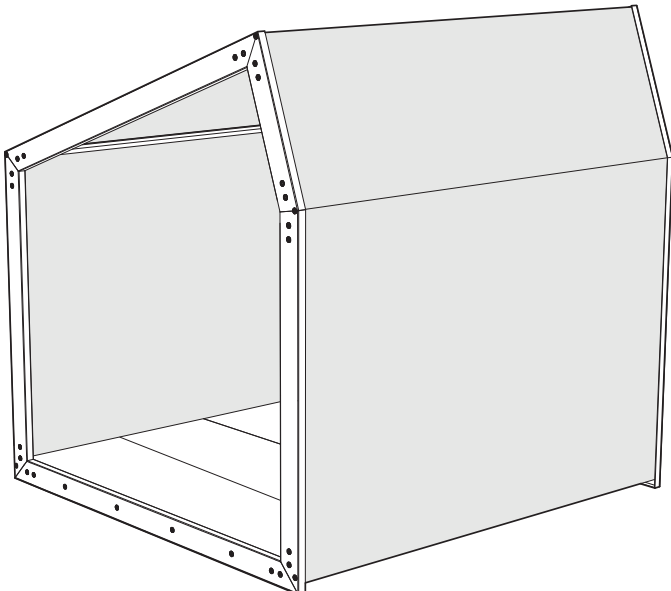
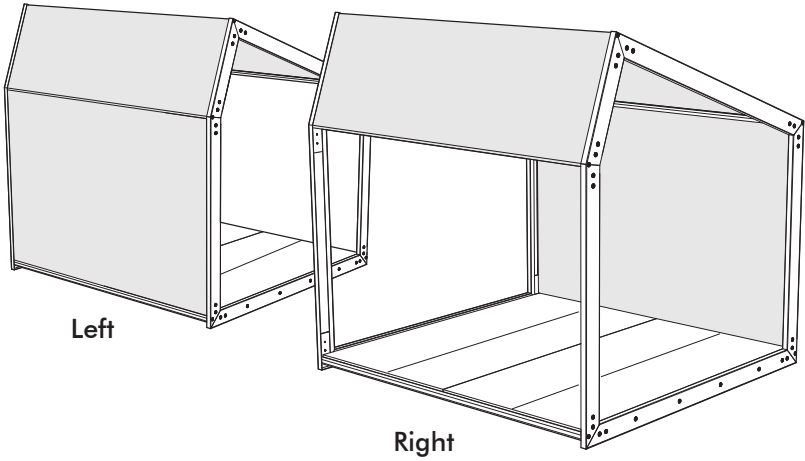


BuzziShed

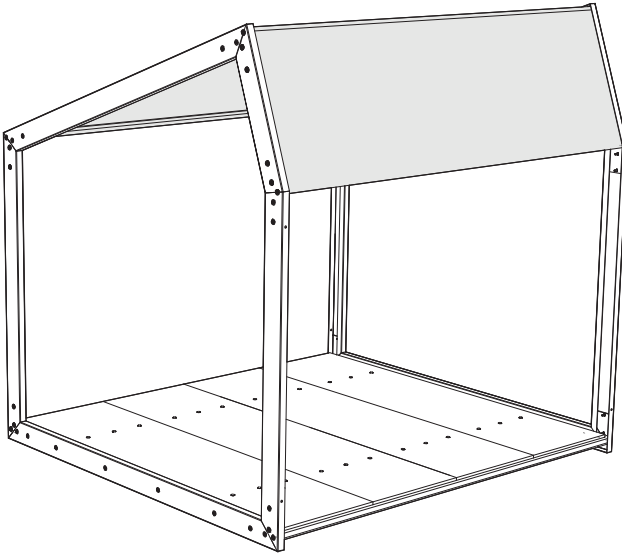
INSTALLATION MANUAL





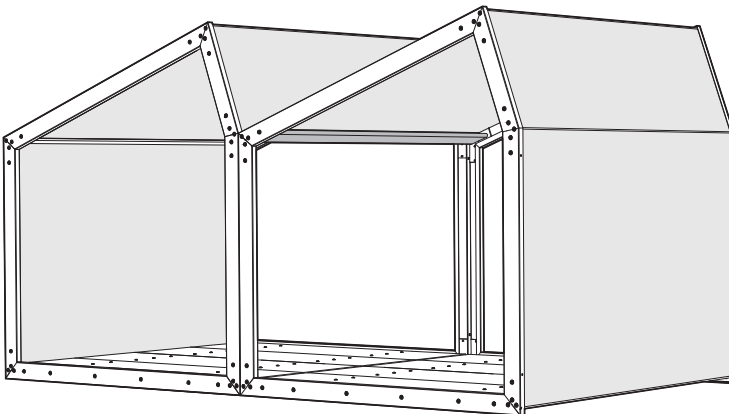
BuzziShed Open

p.39



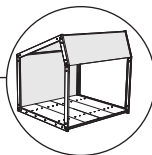
BuzziShed Gutter

p.54

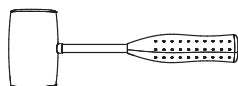
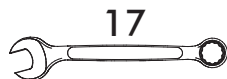
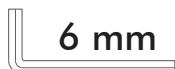


BuzziShed Half Open Left | Right

3 PERS. 



Excluded



Included



24 x 24 x



24 x



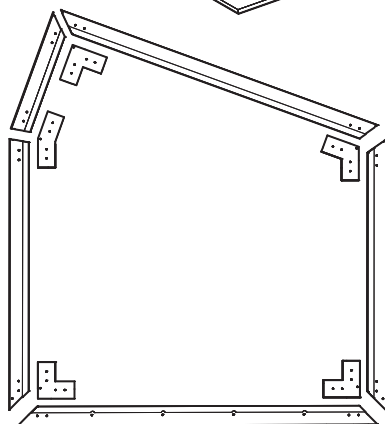
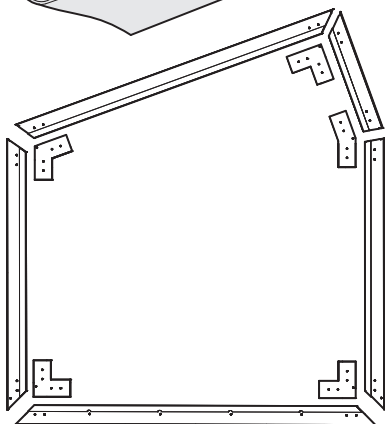
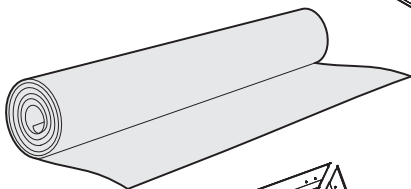
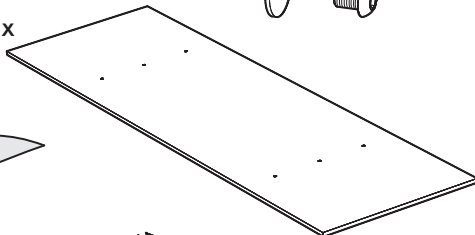
58 x

58 x

4 x



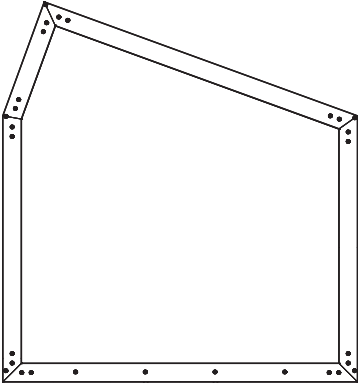
4 x



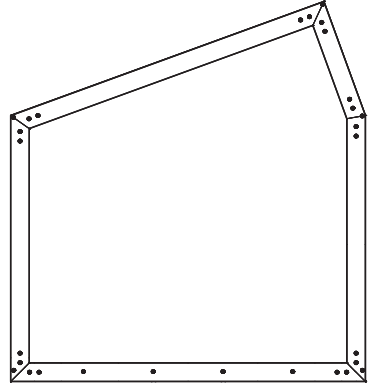
* Only 1 required for this setup

4

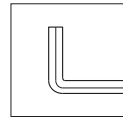
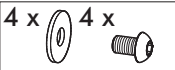
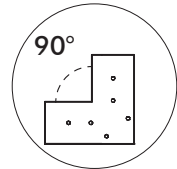
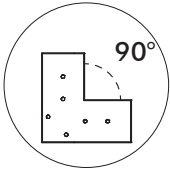
Side A



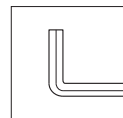
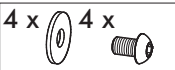
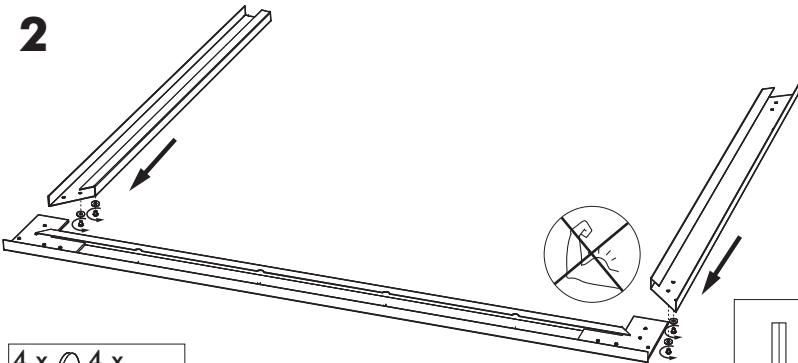
Side B



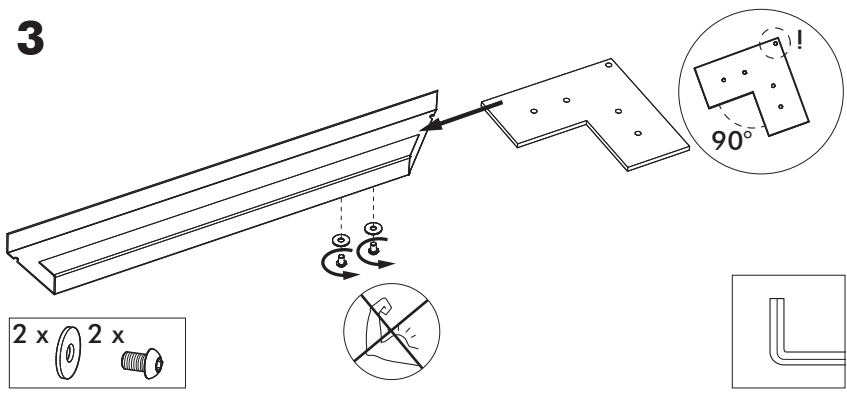
1



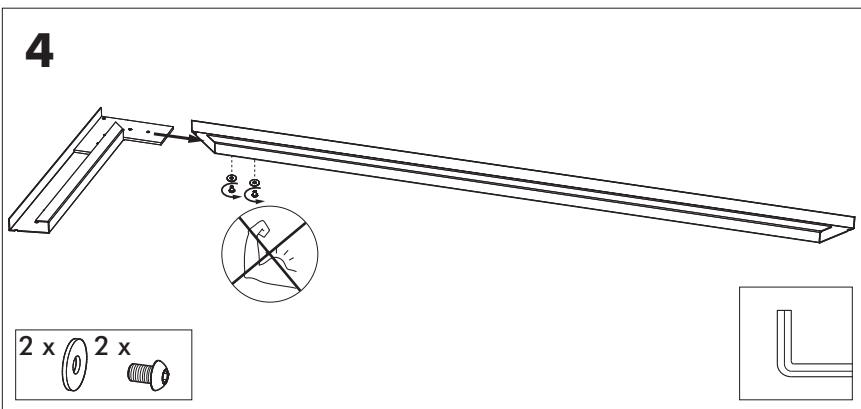
2



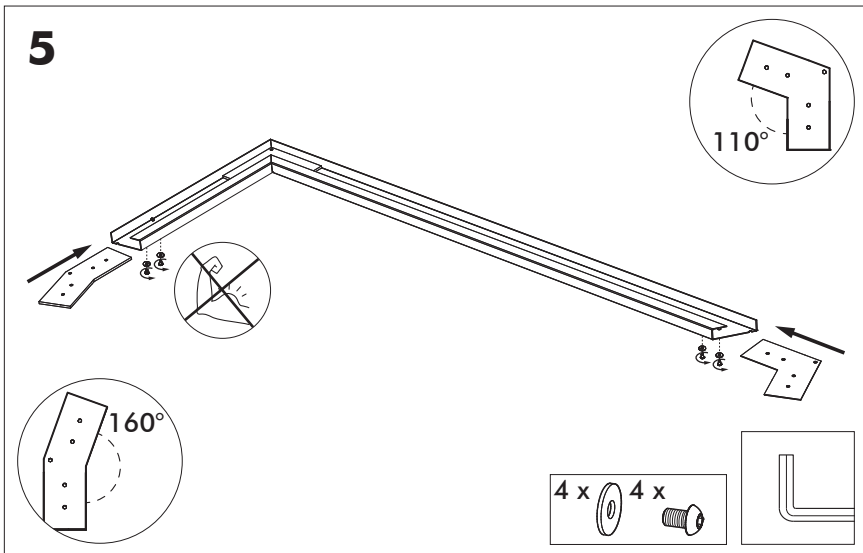
3



4

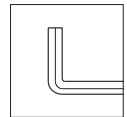
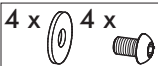
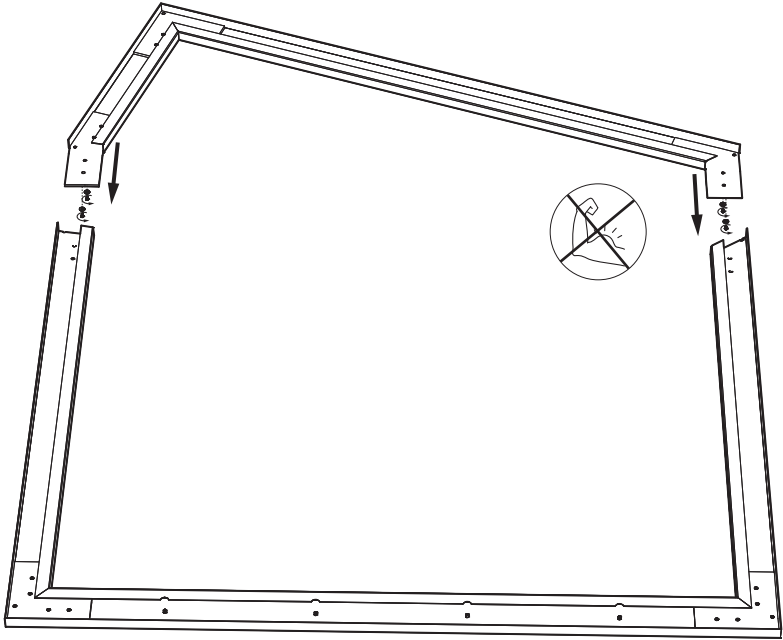


5

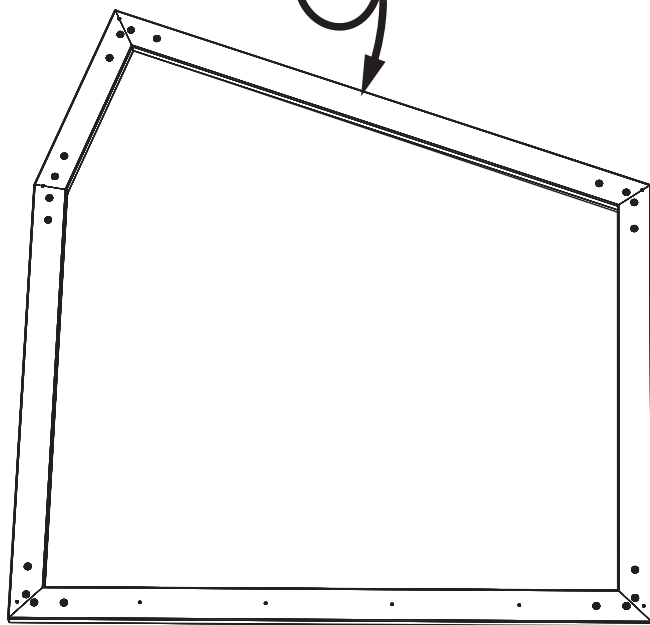
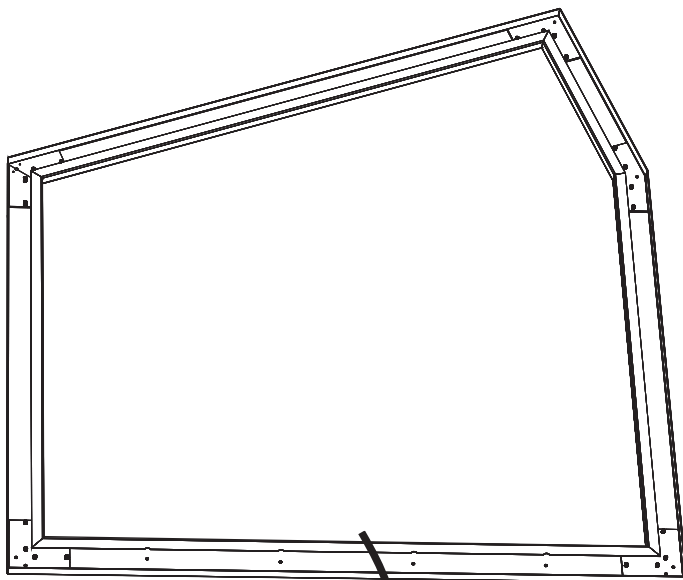


6

6

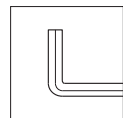
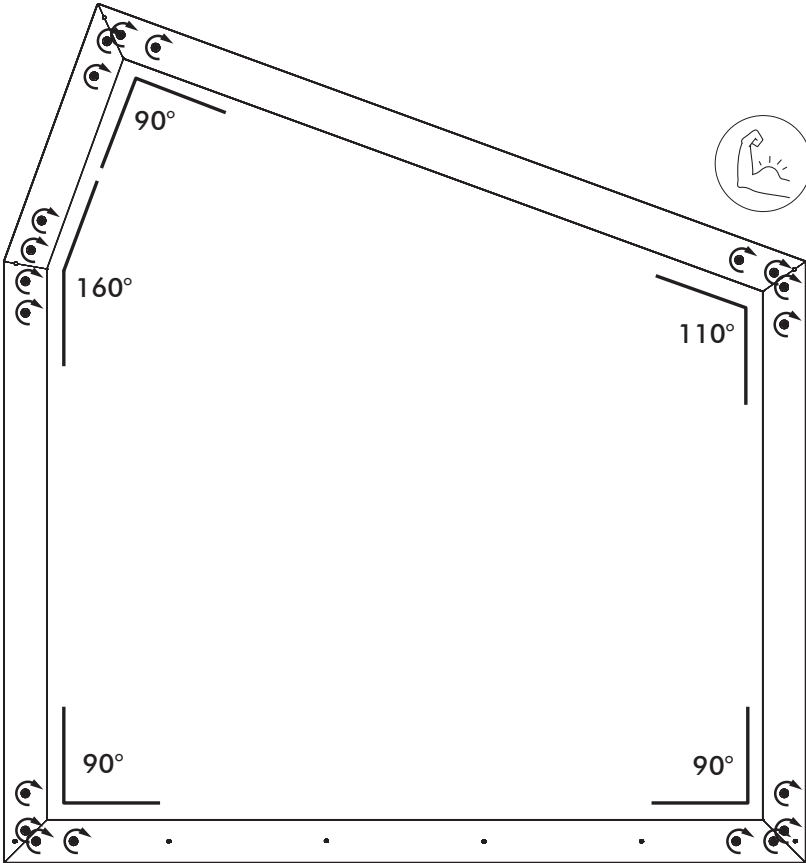
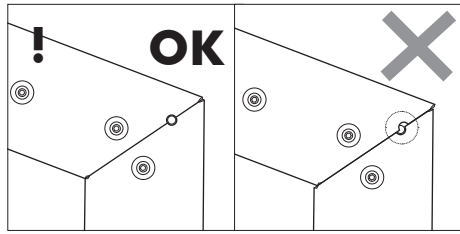


7

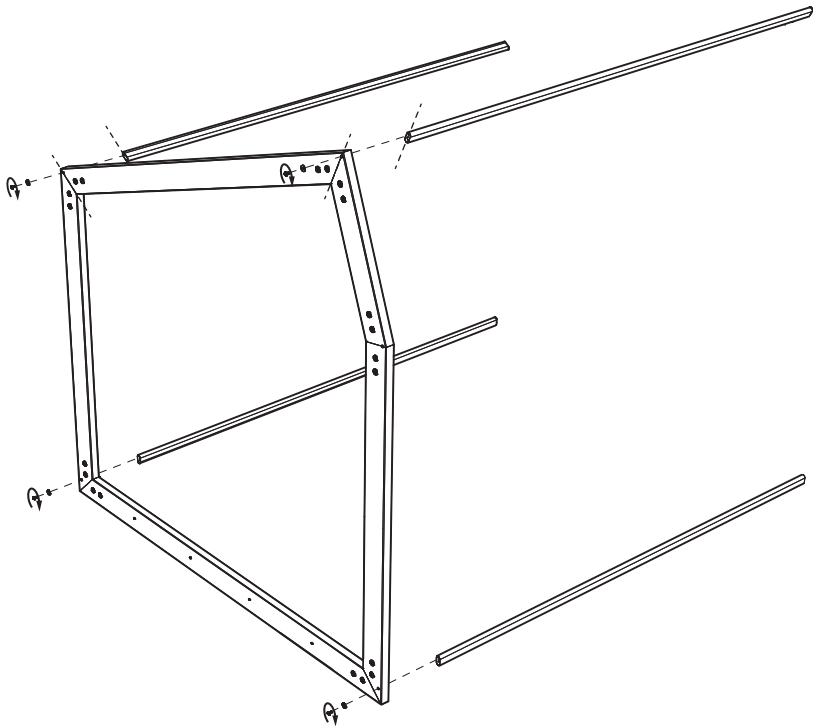
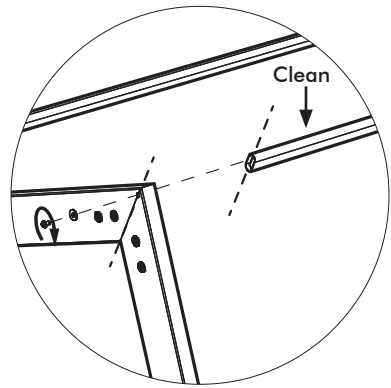
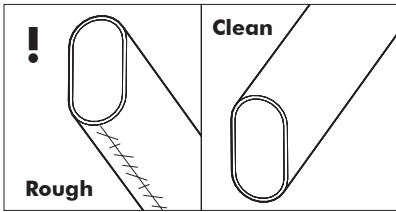


8

8



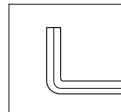
9 Shed Right



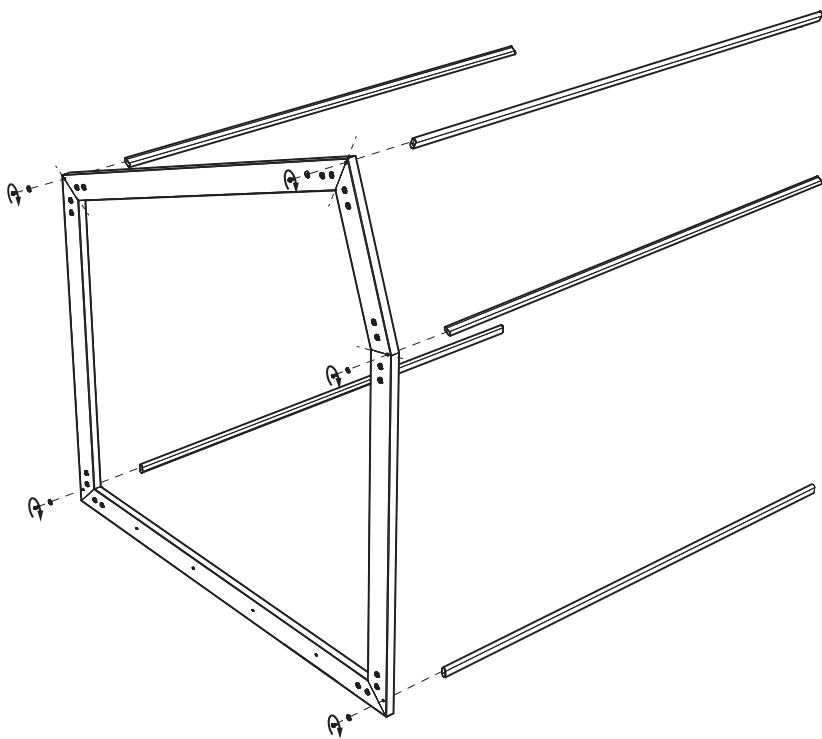
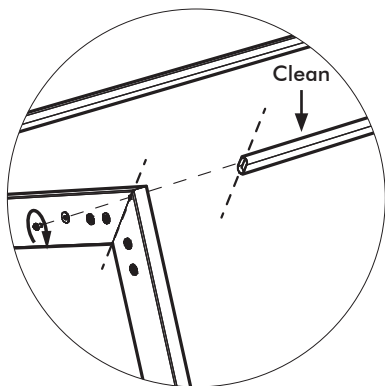
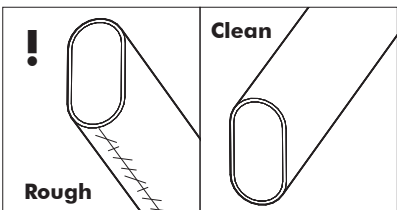
4 x



4 x 4 x



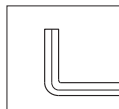
9 Shed Left



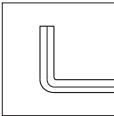
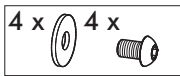
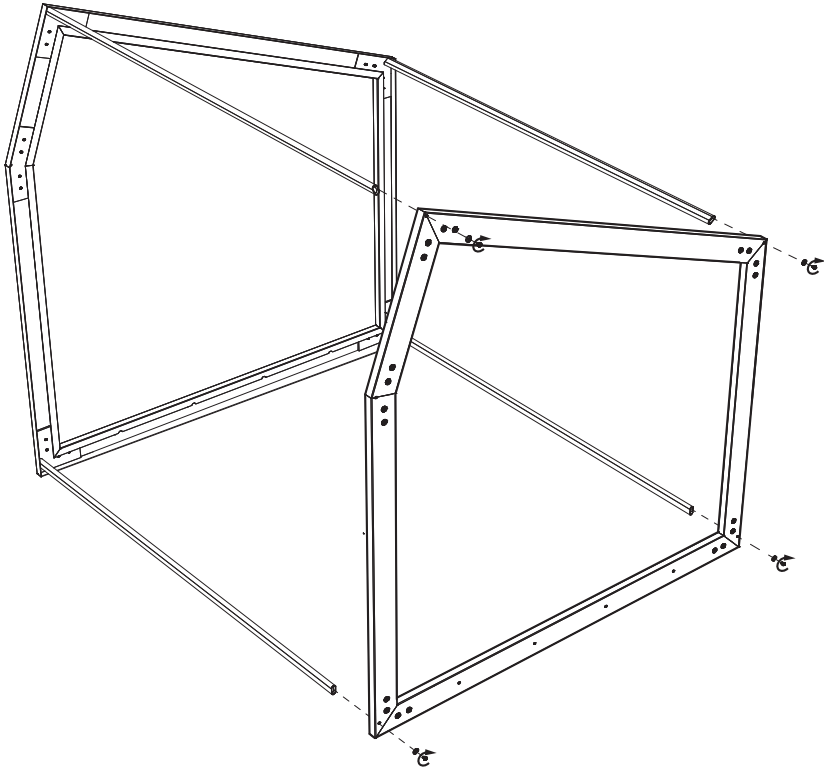
4 x



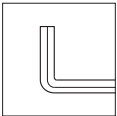
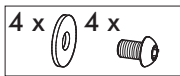
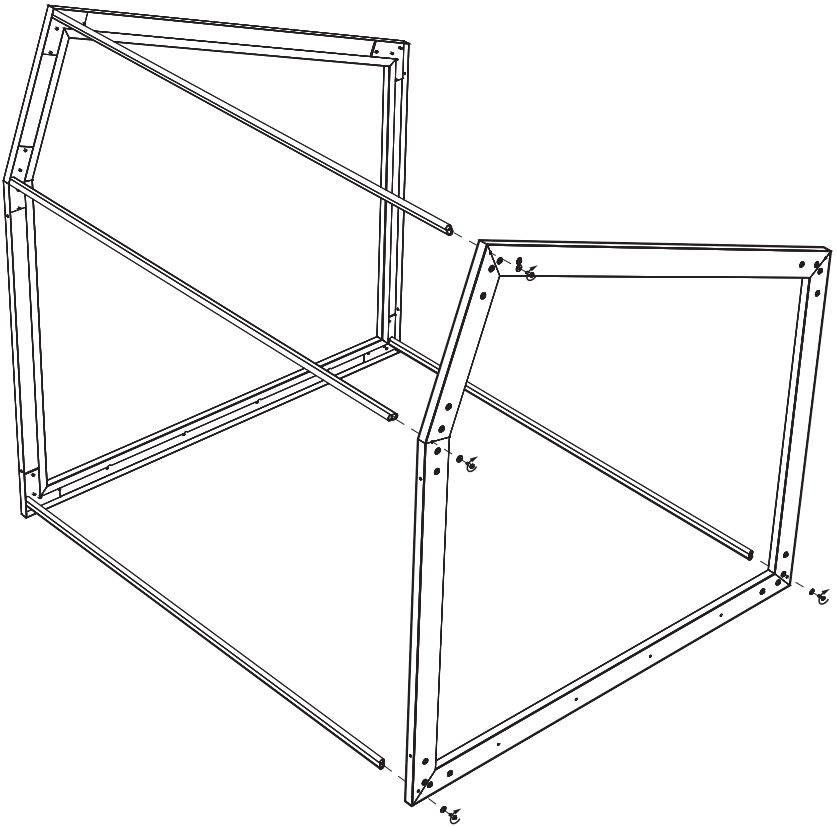
4 x 4 x



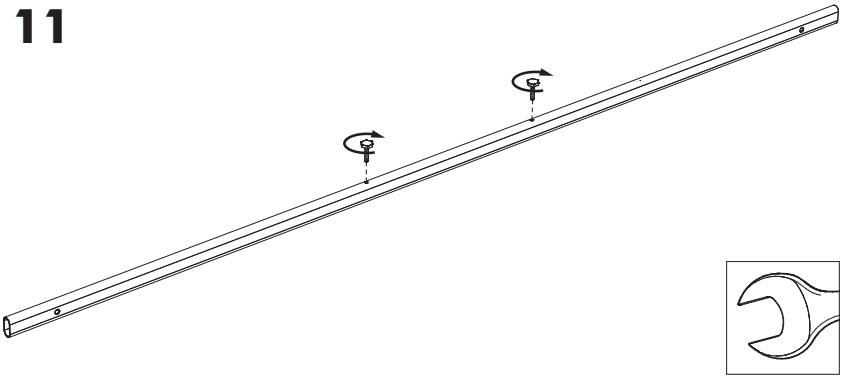
10 Shed Right



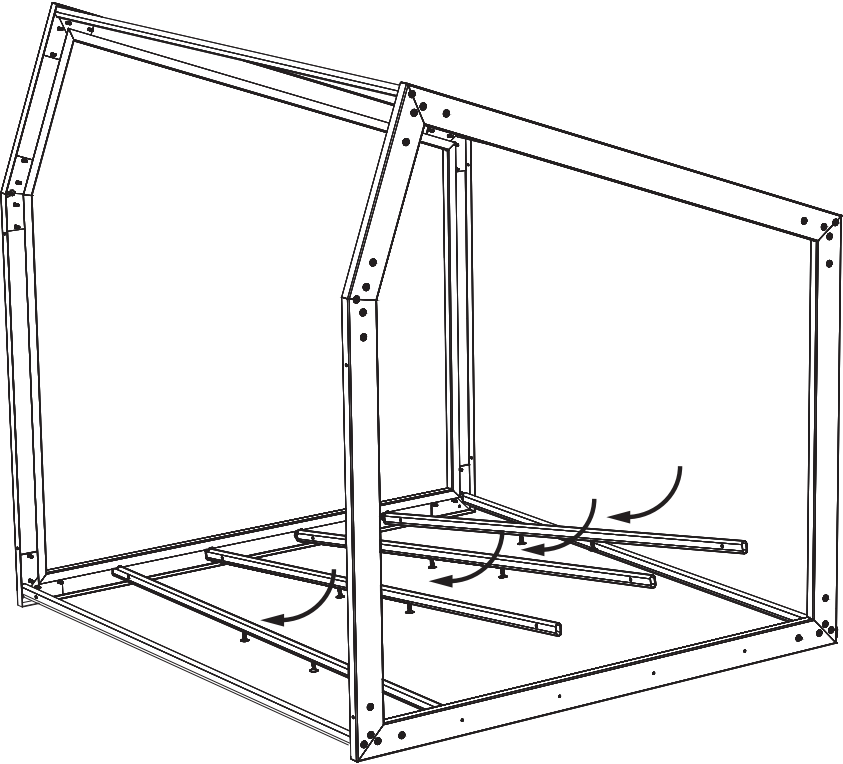
10 Shed Left



11



12

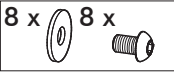
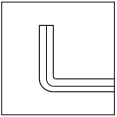
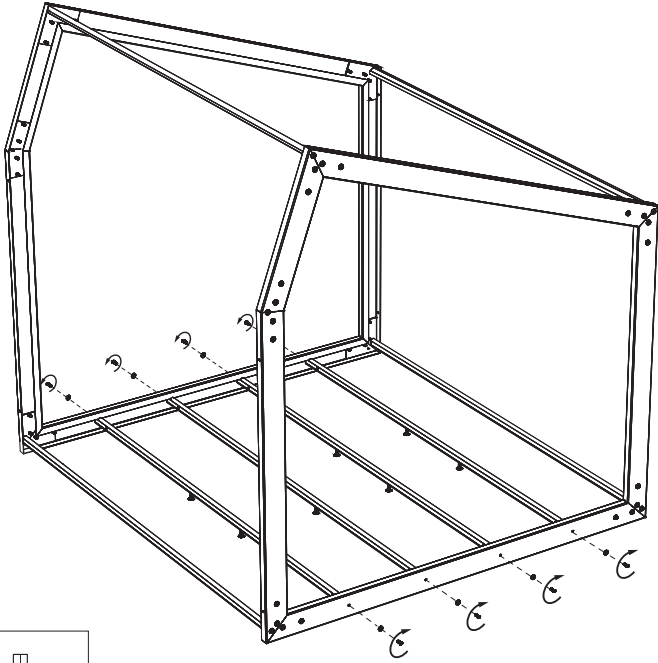


4 x



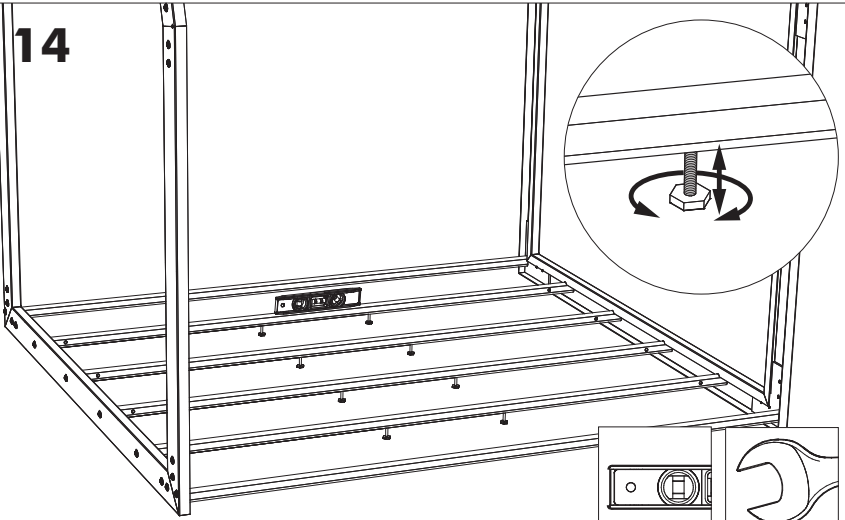
Identical for Left version

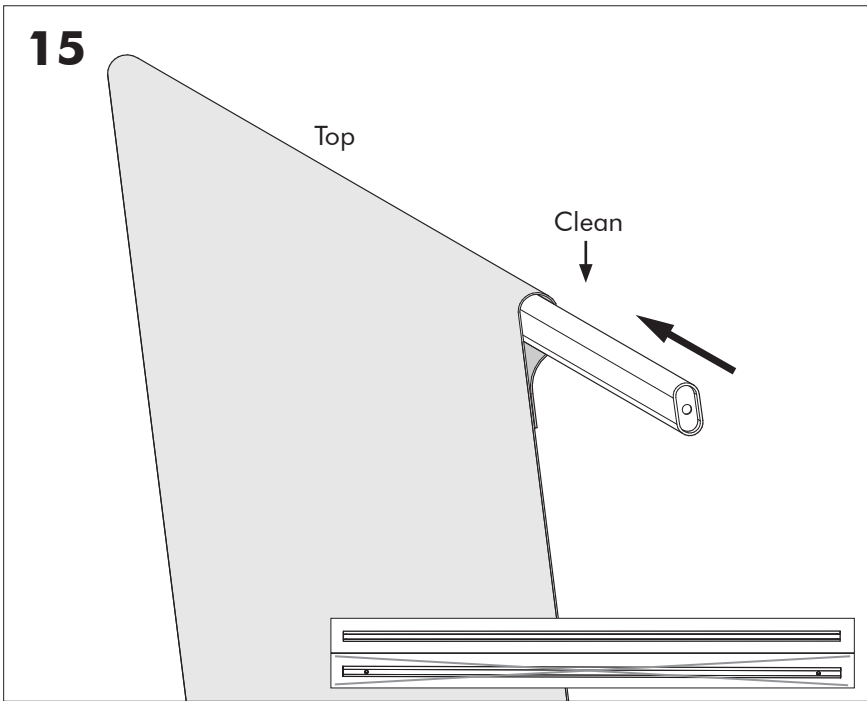
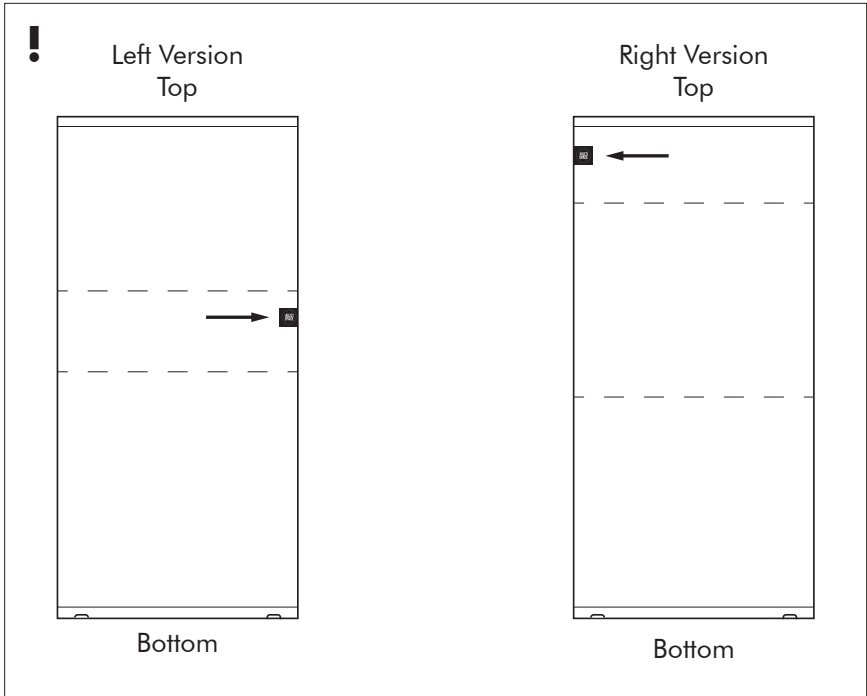
13



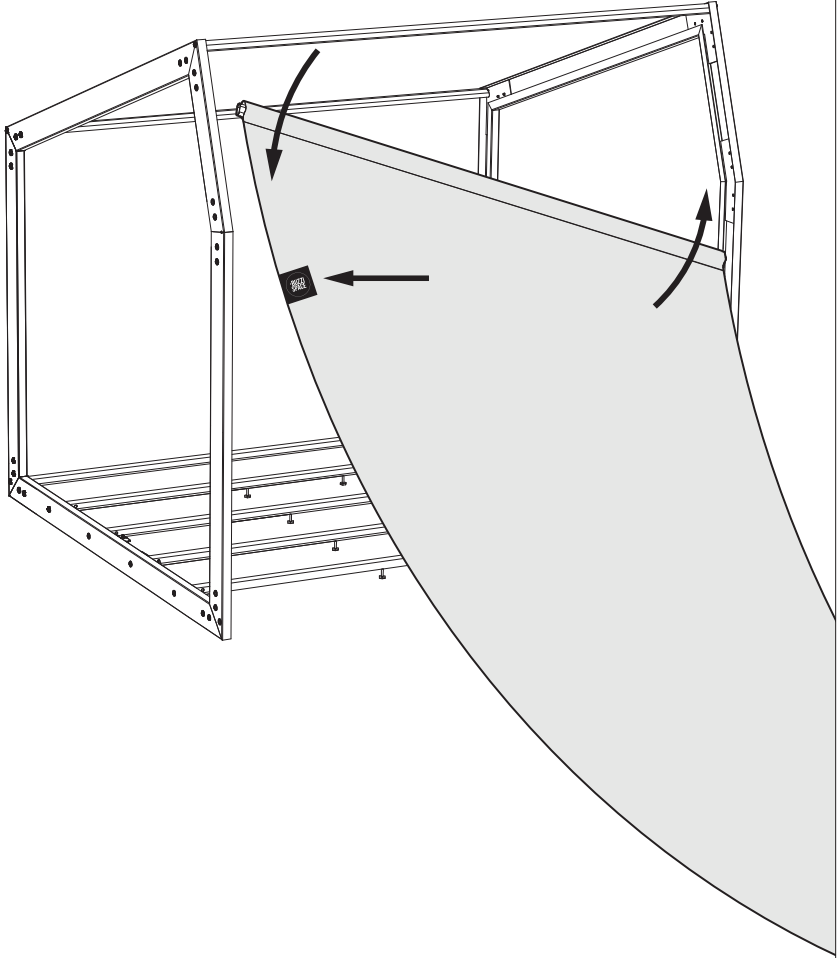
Identical for Left version

14

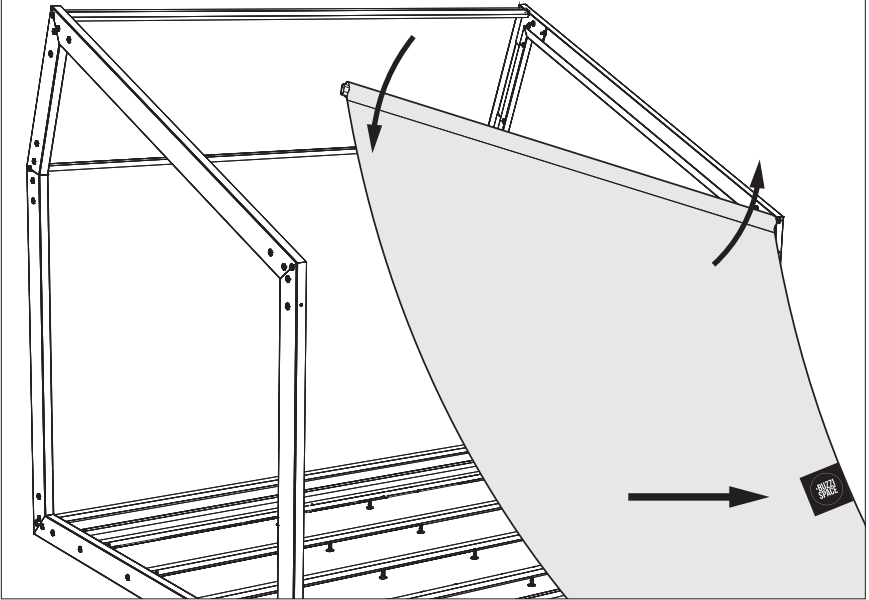




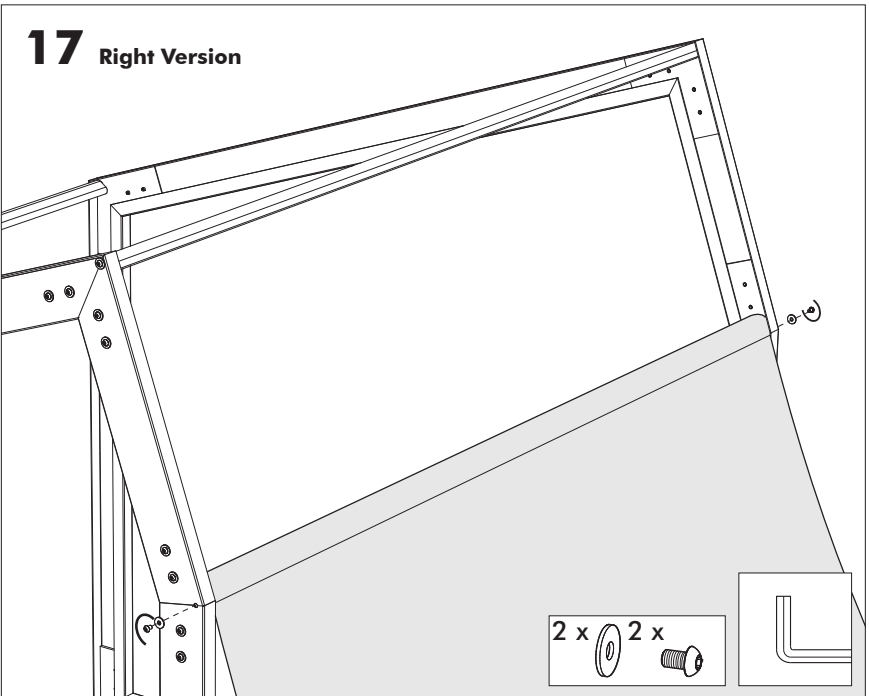
16 Right Version



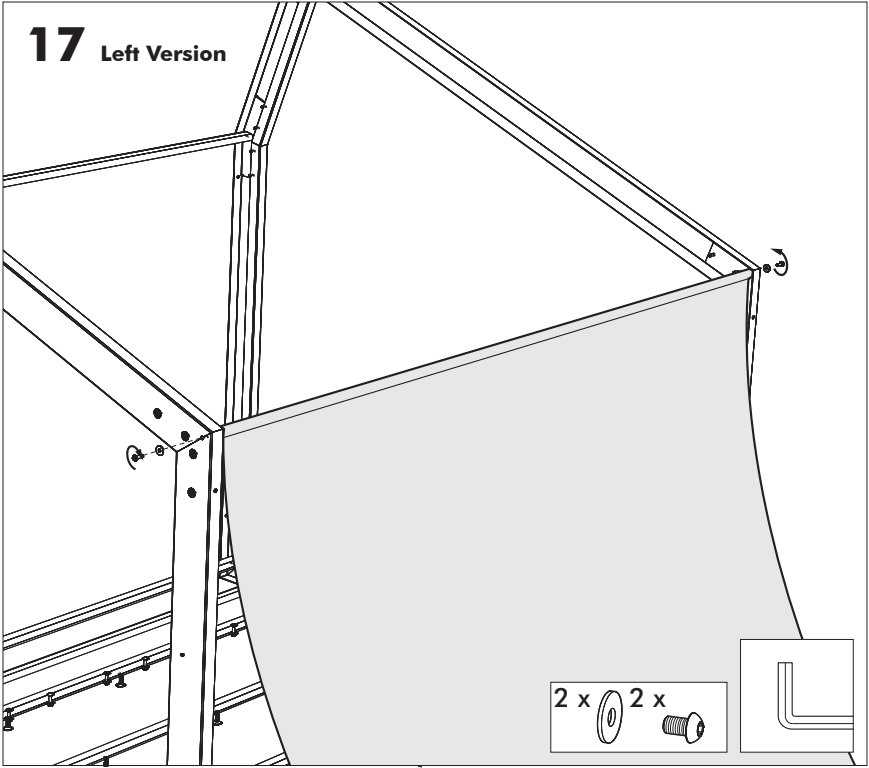
16 Left Version



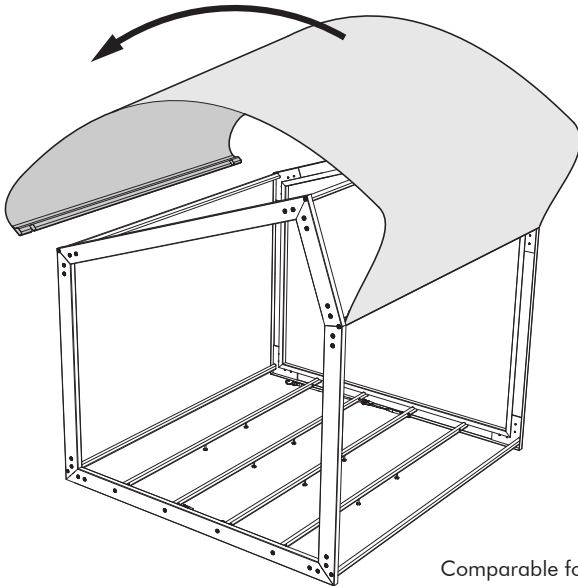
17 Right Version



17 Left Version

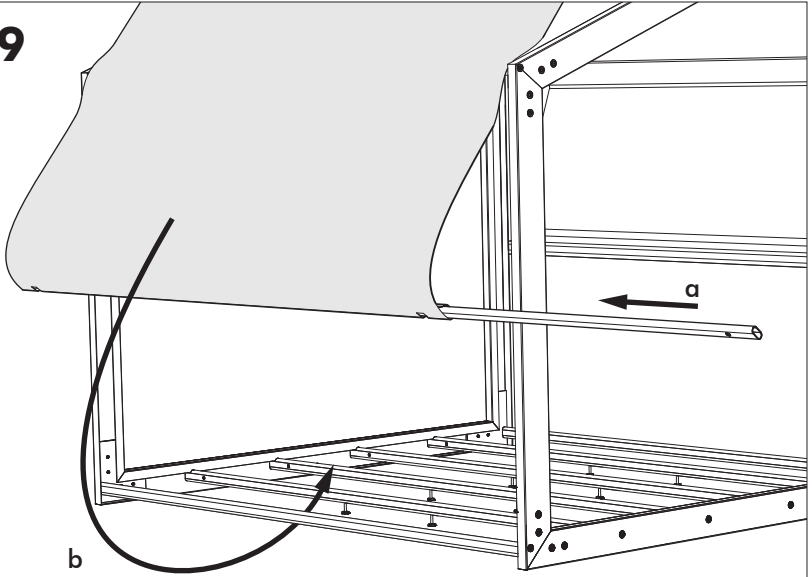


18



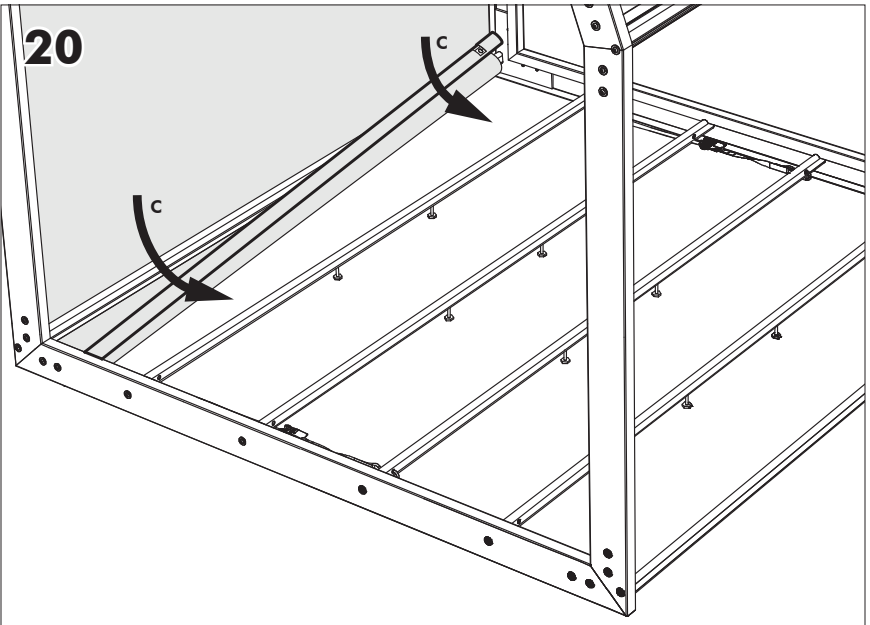
Comparable for Left version

19

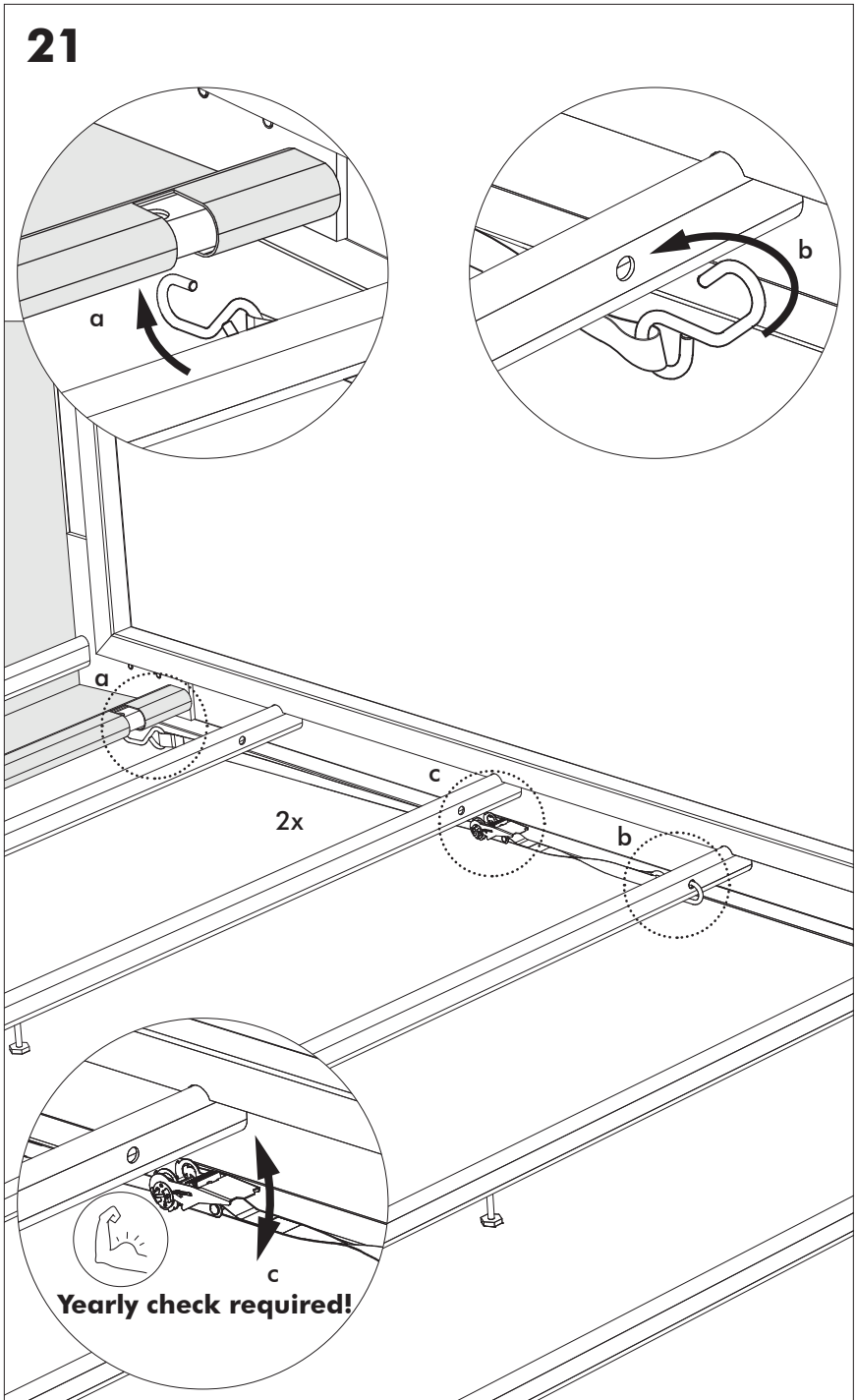


Comparable for Left version

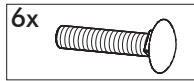
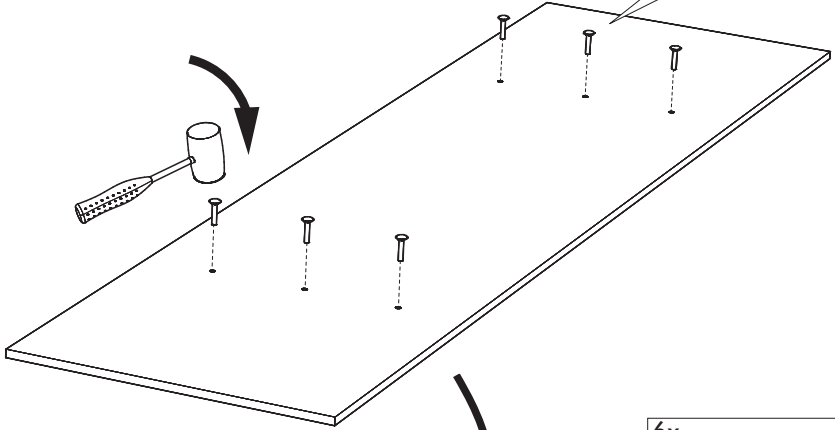
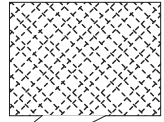
20



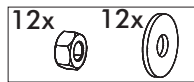
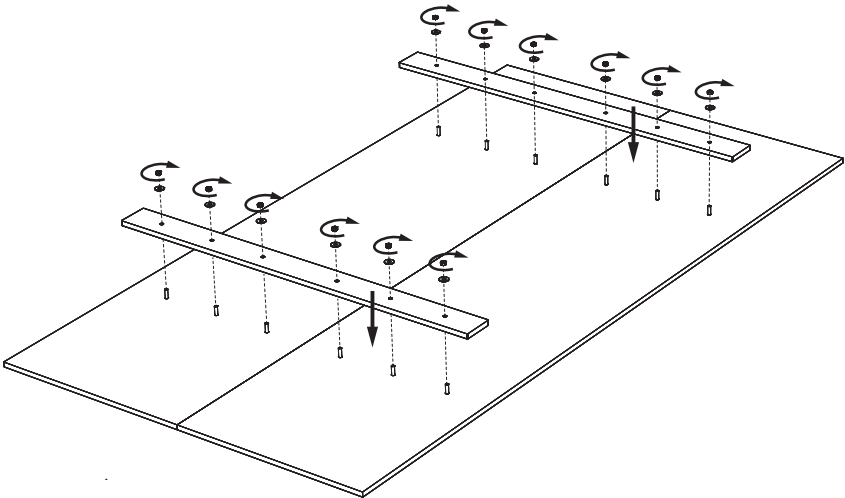
21



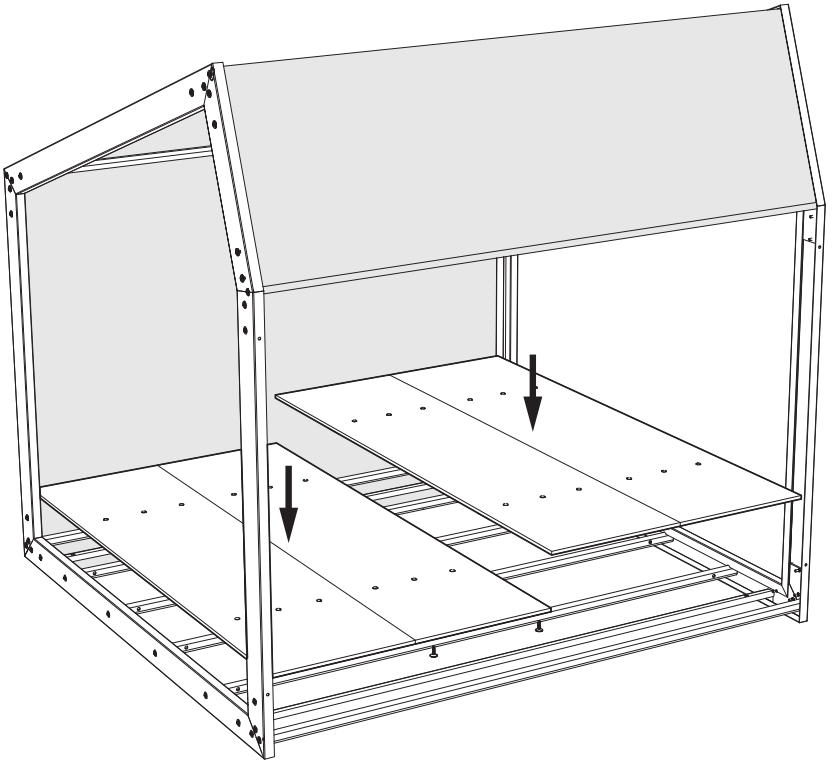
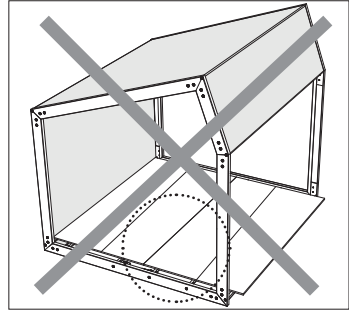
22



23



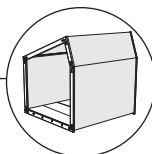
24



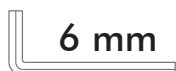
Identical for Left version

BuzziShed Closed

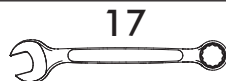
3 PERS. 



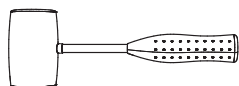
Excluded



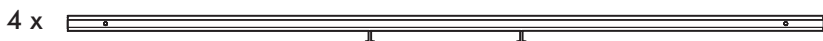
6 mm



17



Included



24 x 24 x



24 x



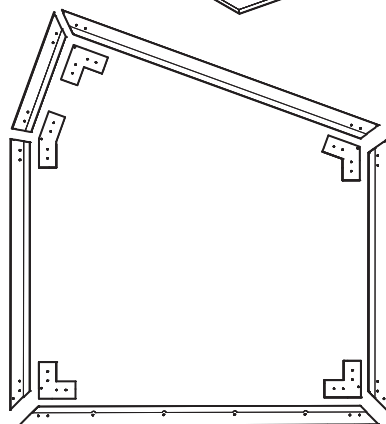
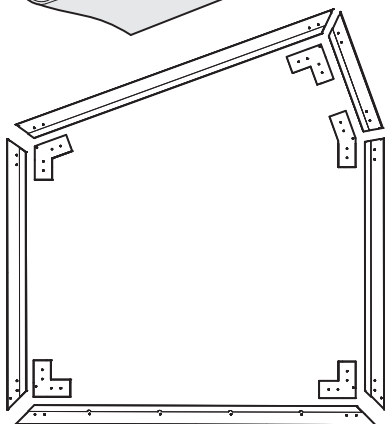
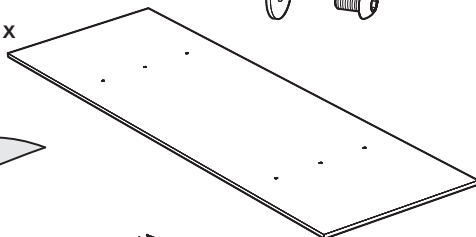
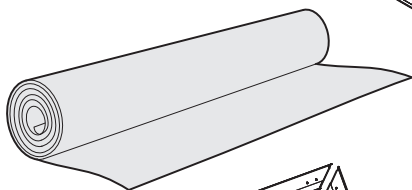
58 x

58 x

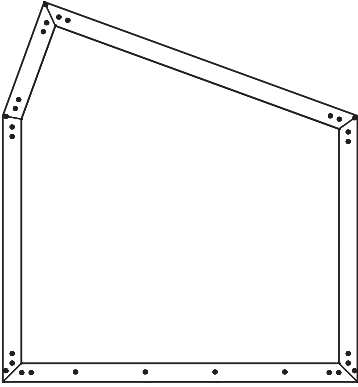
4 x



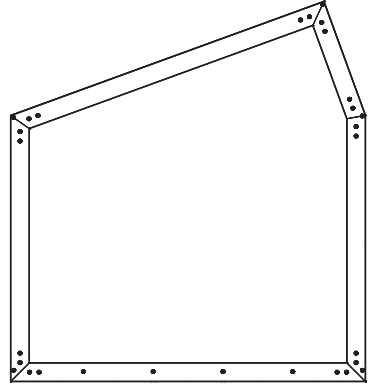
4 x



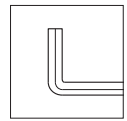
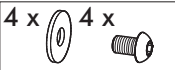
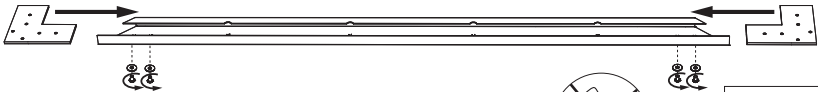
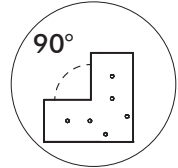
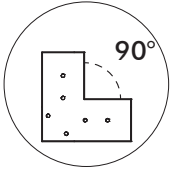
Side A



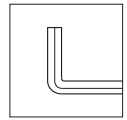
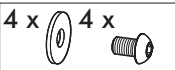
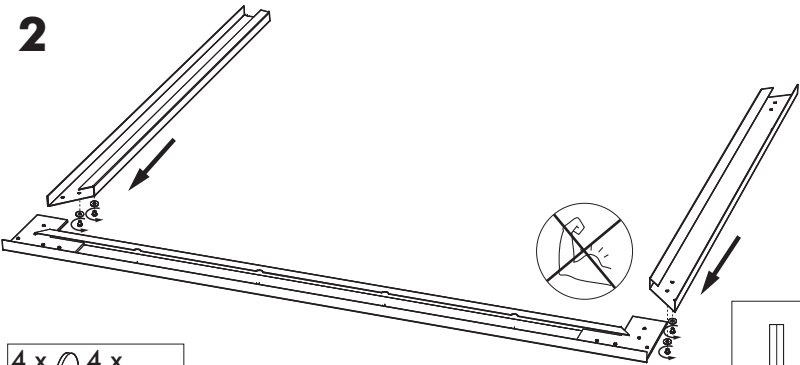
Side B

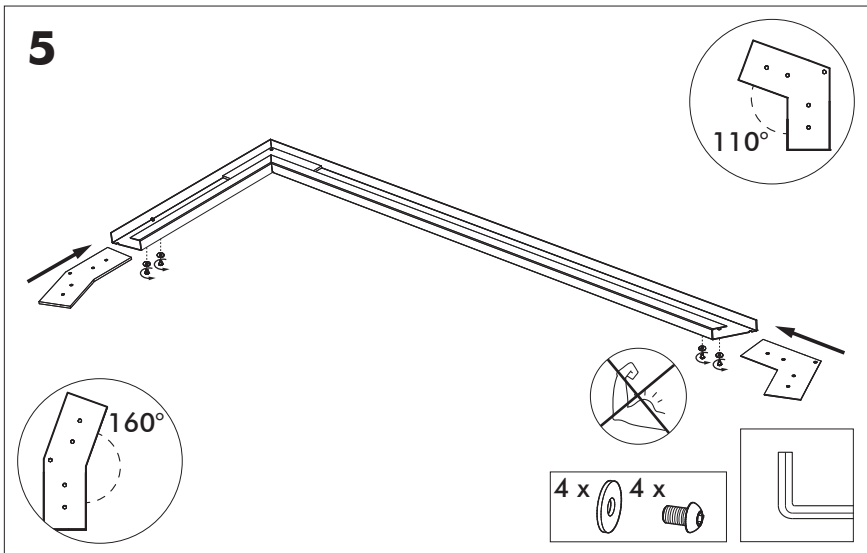
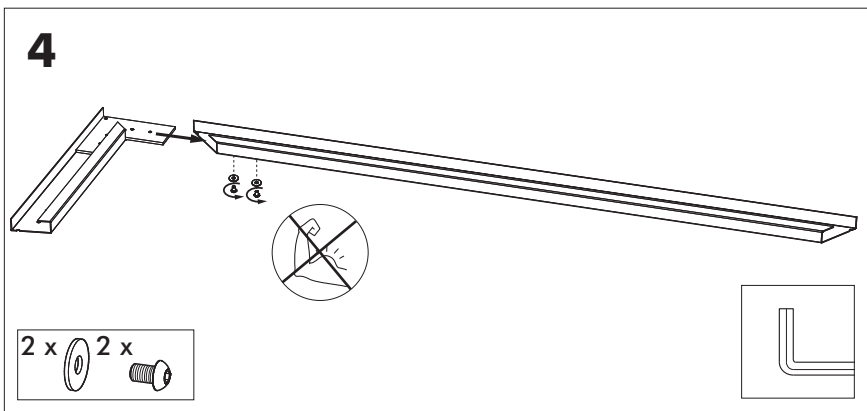
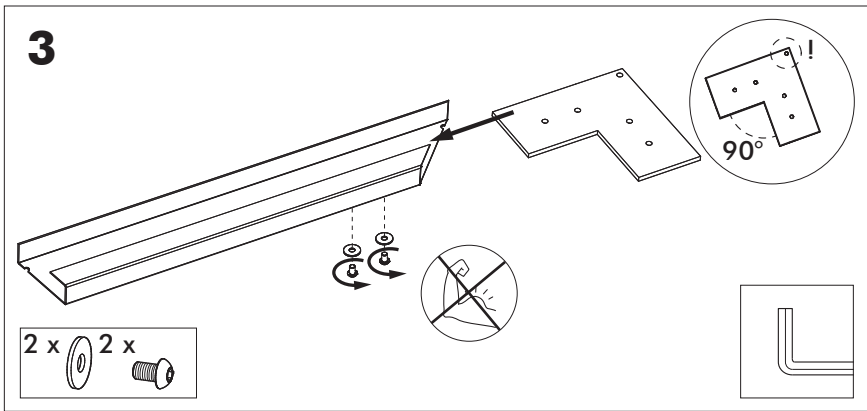


1

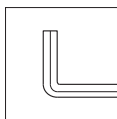
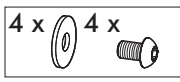
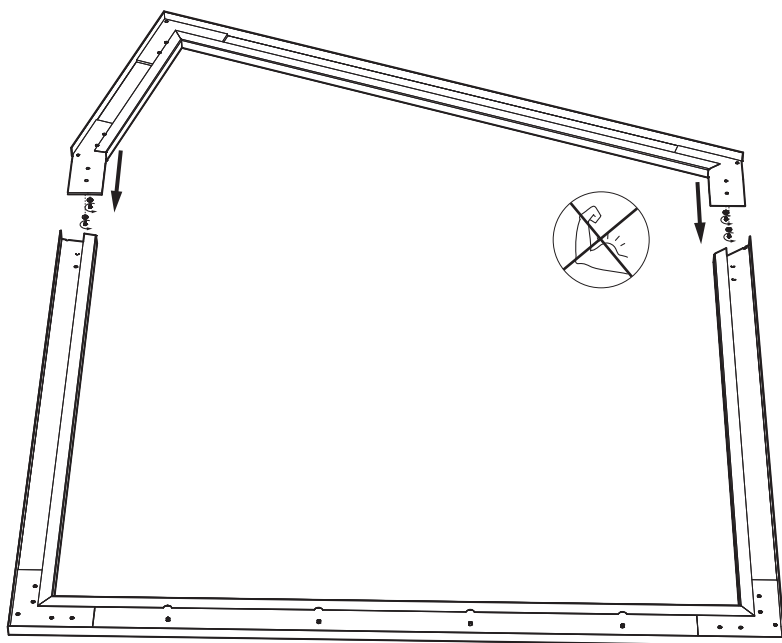


2

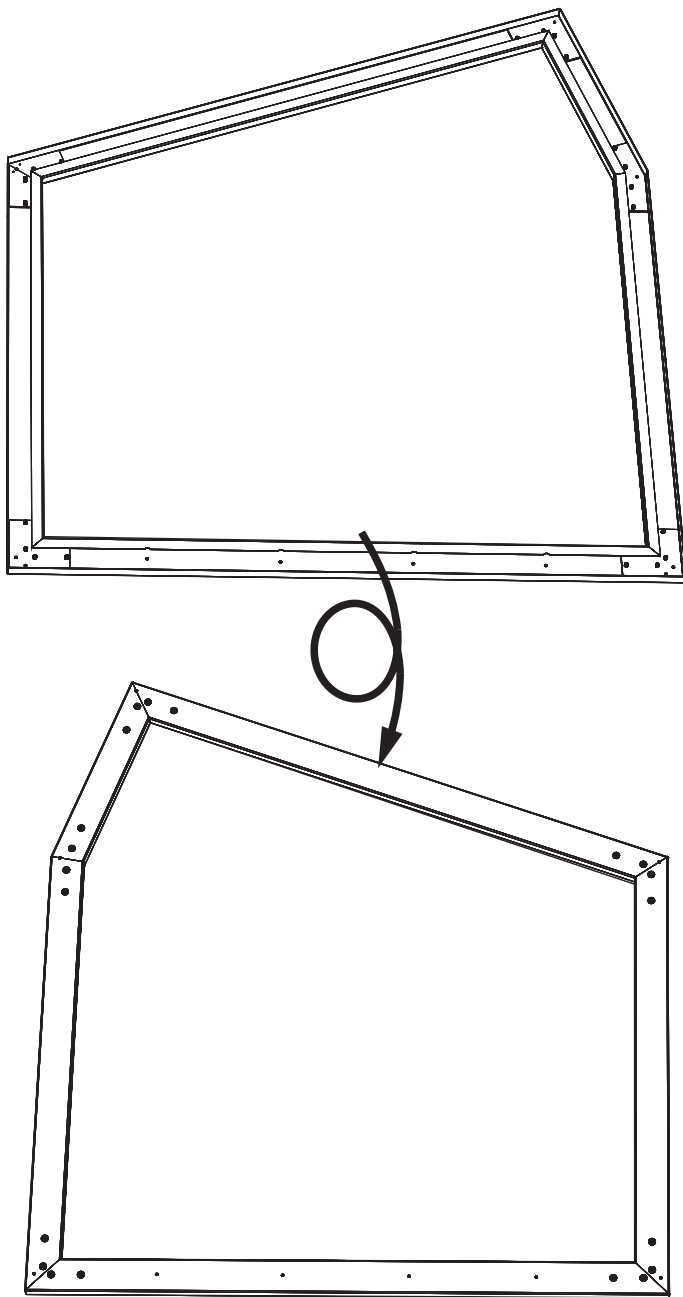




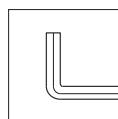
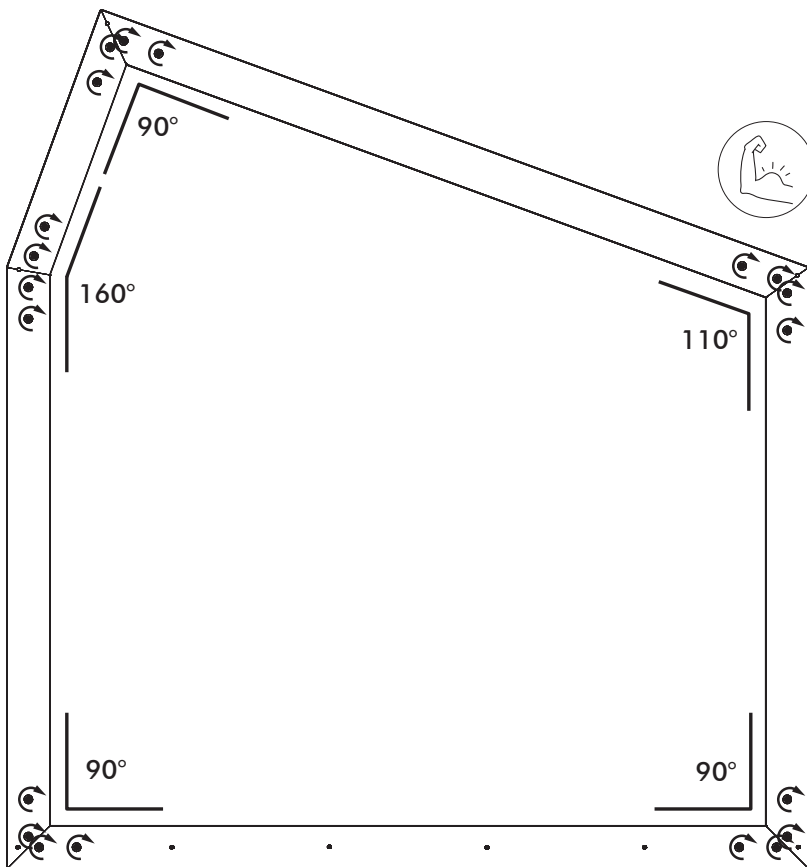
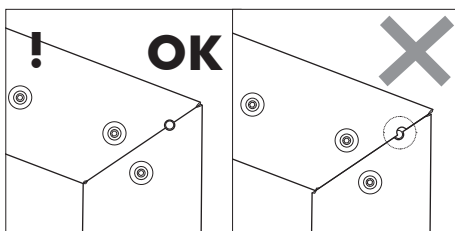
6



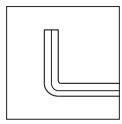
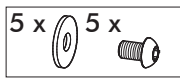
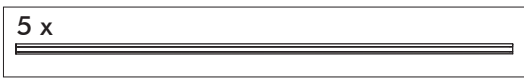
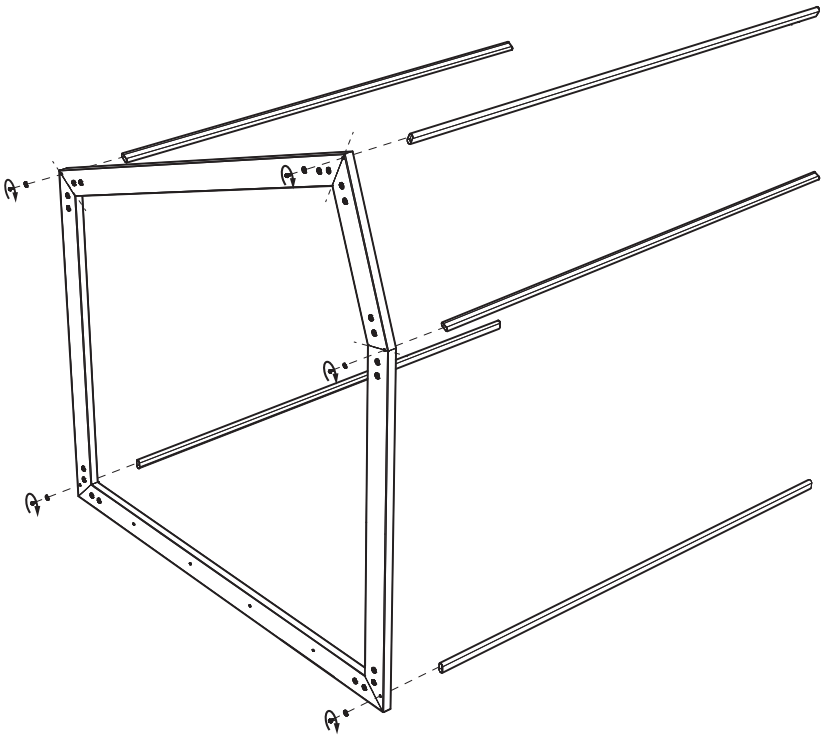
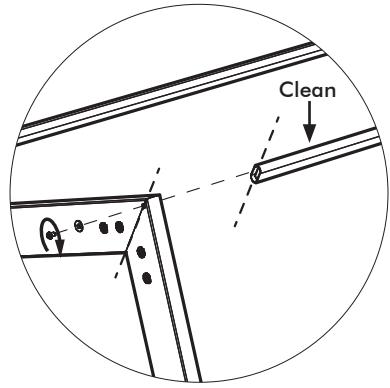
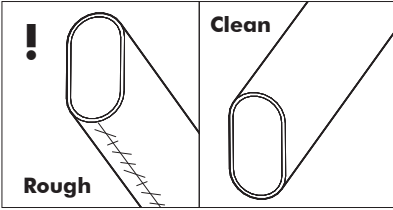
7



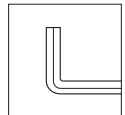
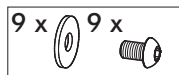
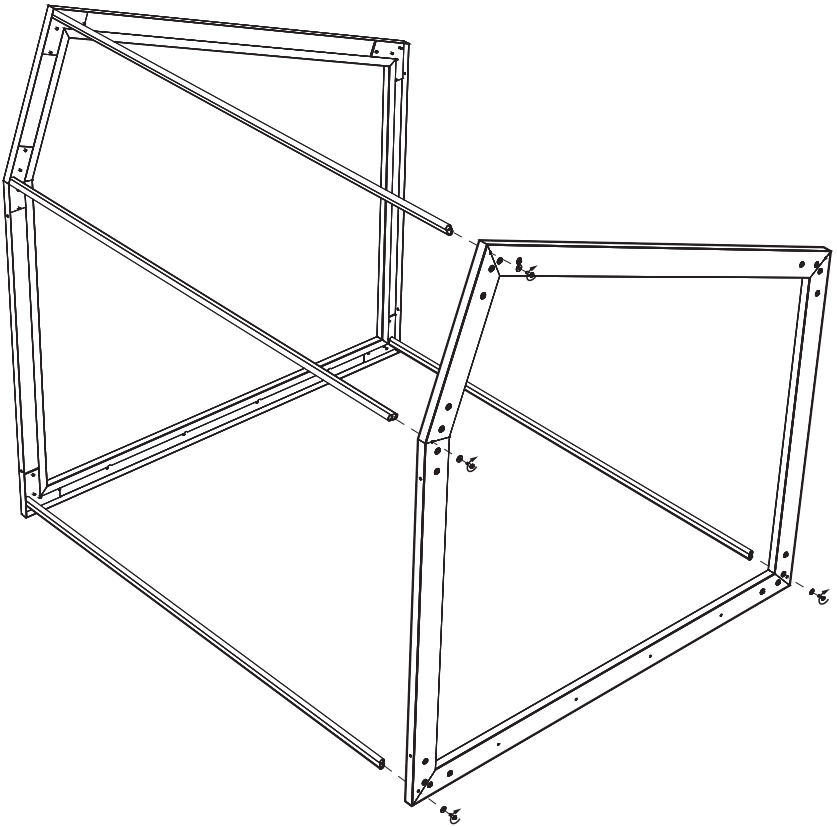
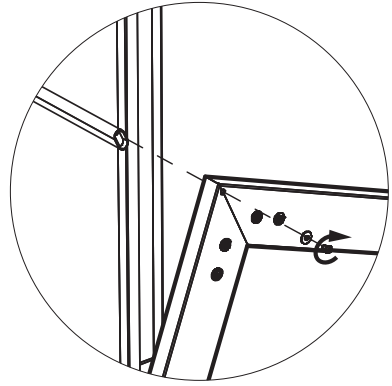
8



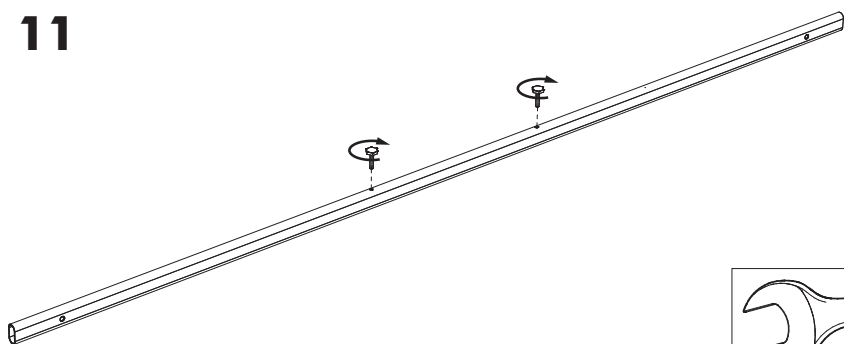
9



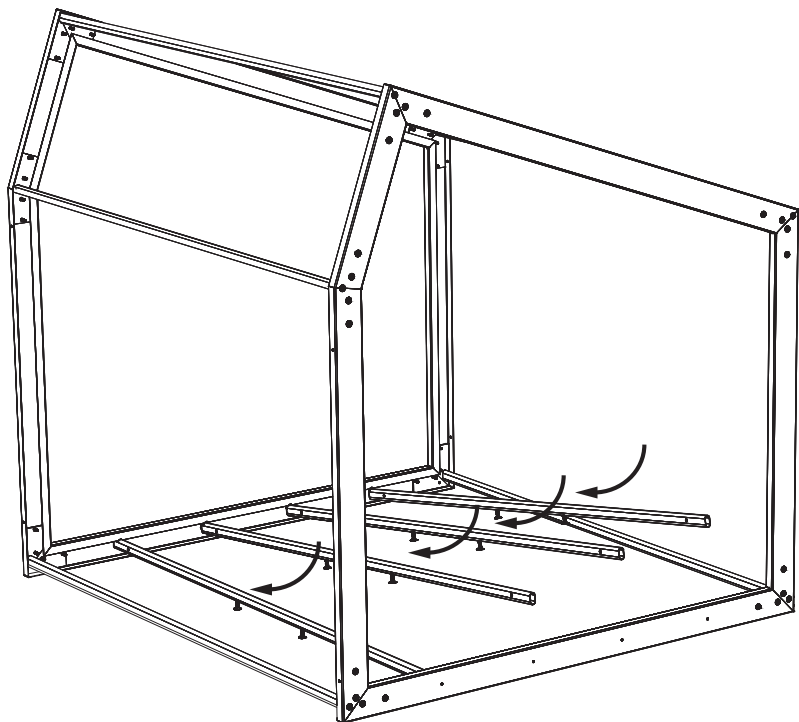
10



11



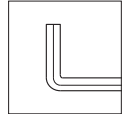
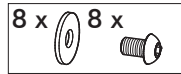
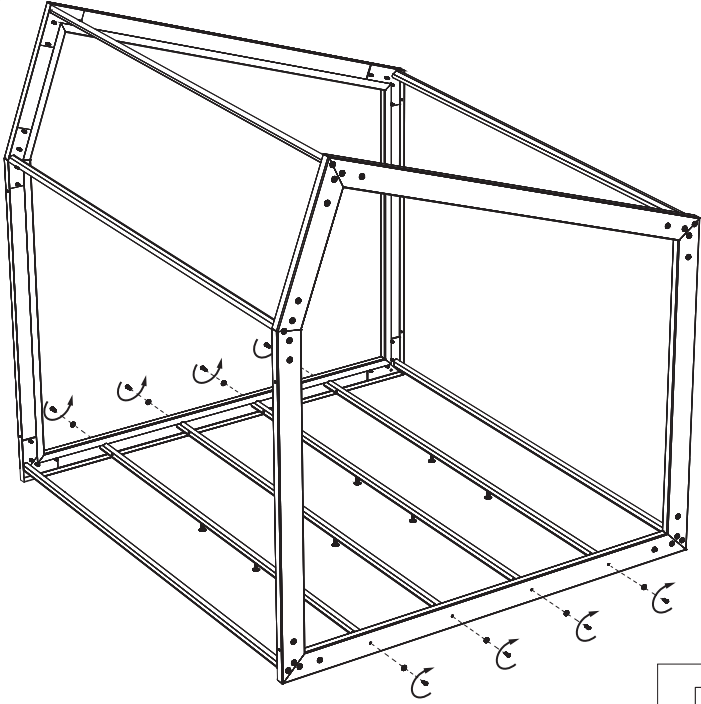
12



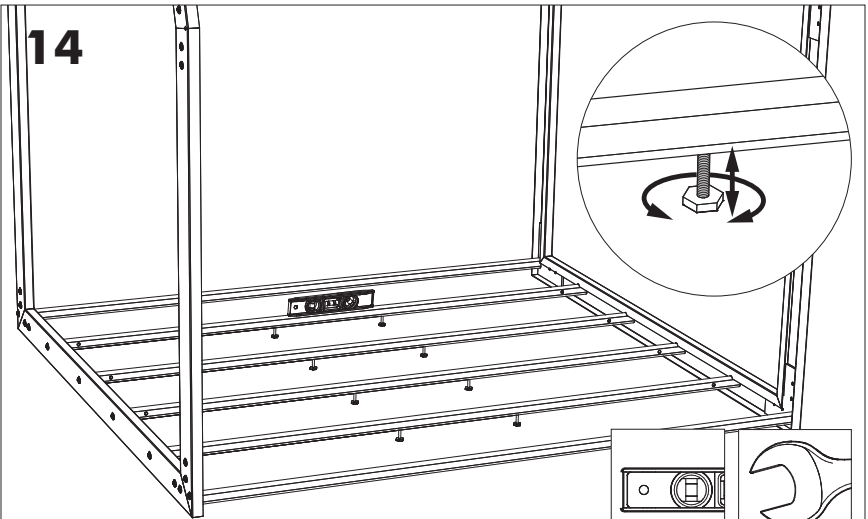
4 x



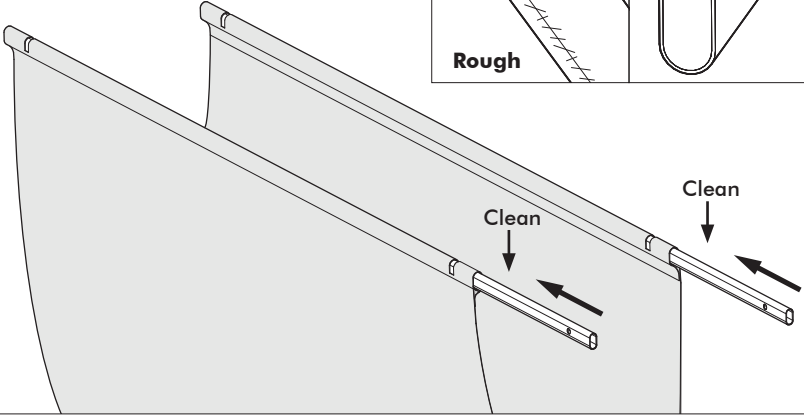
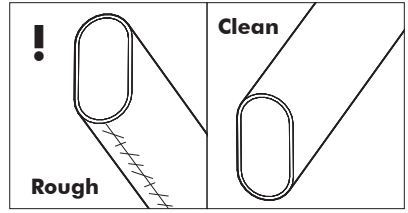
13



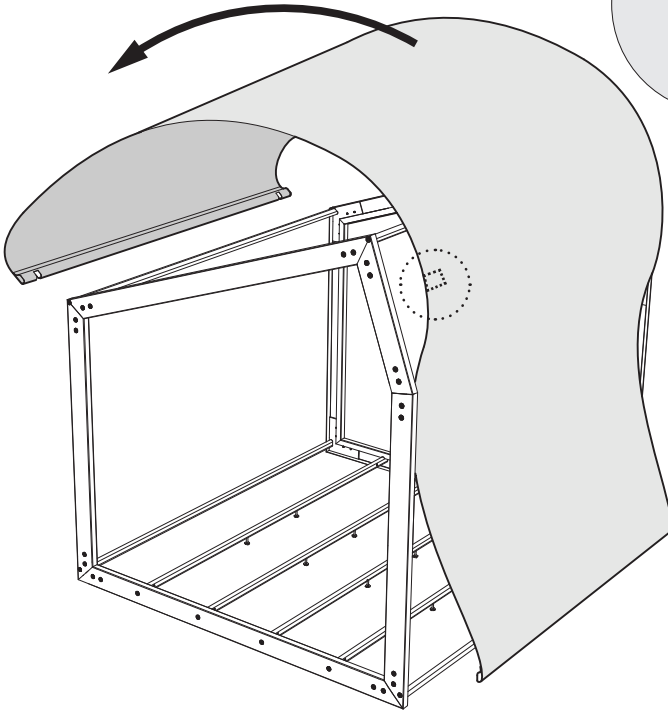
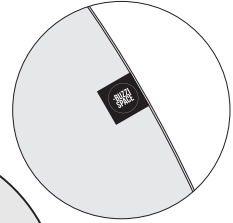
14



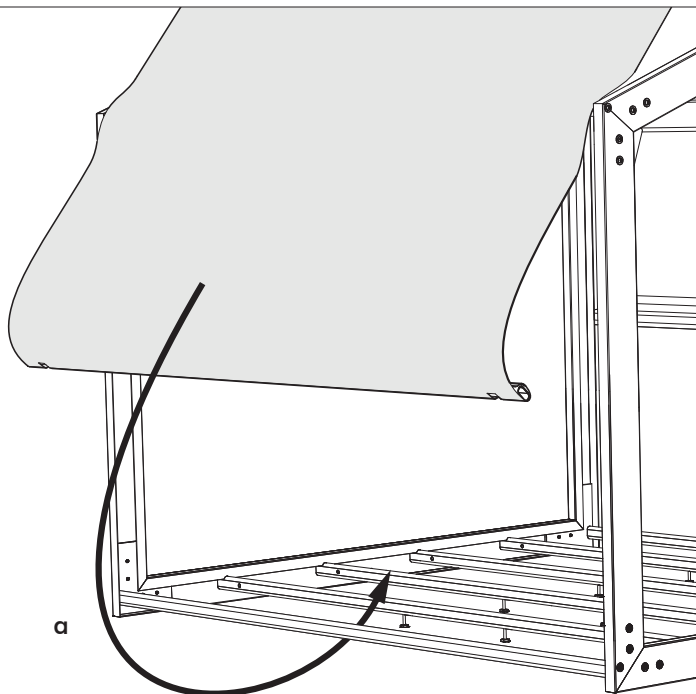
15



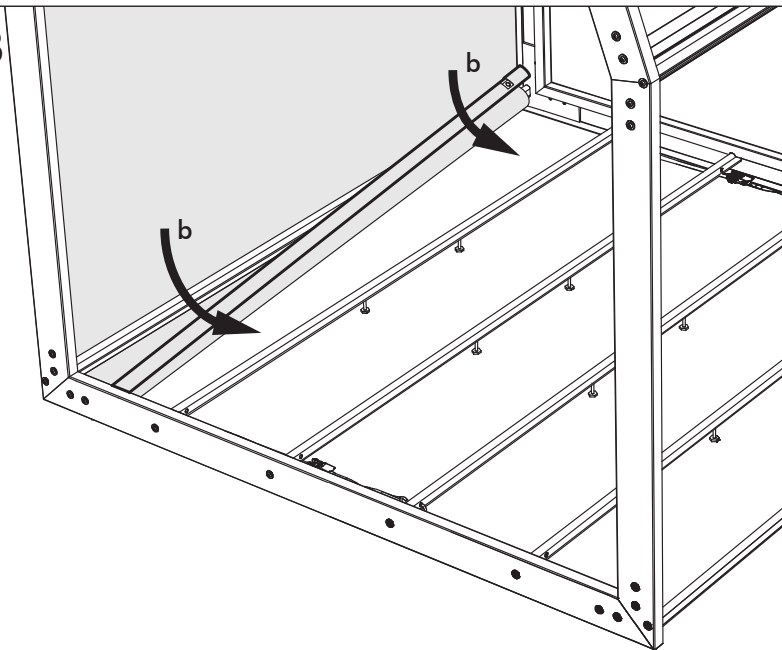
16

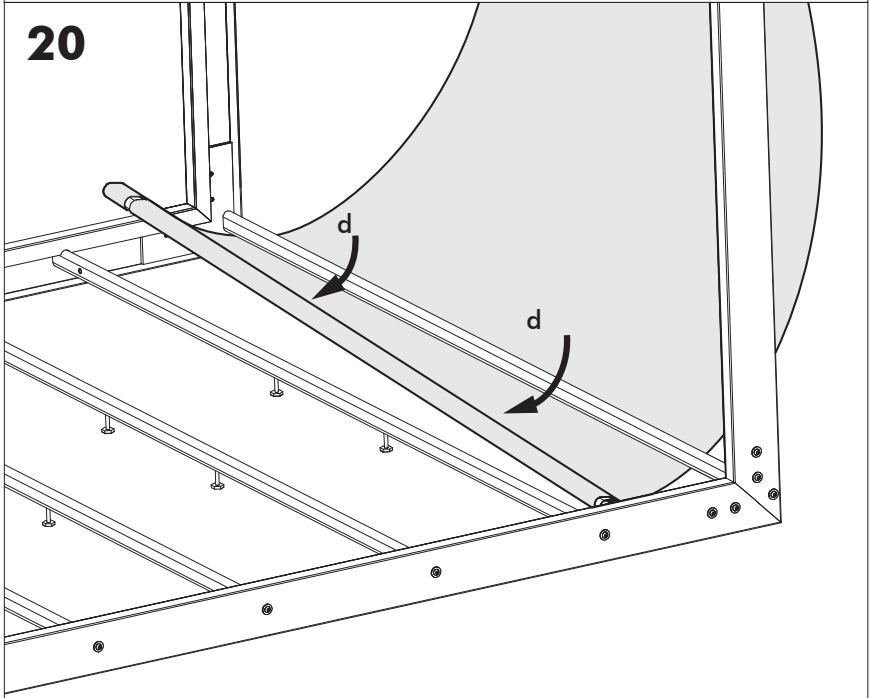
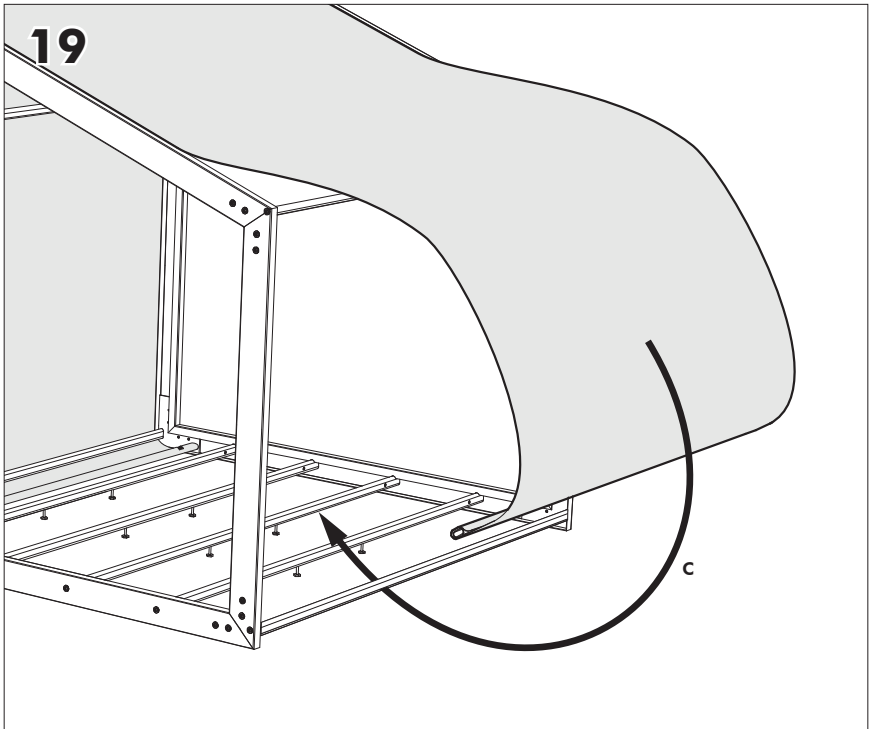


17

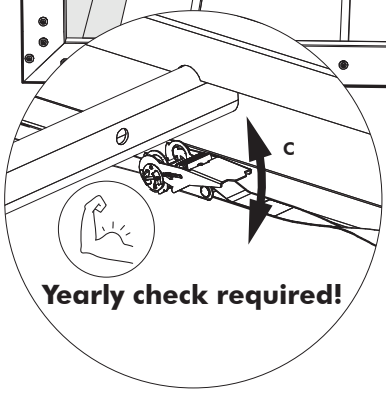
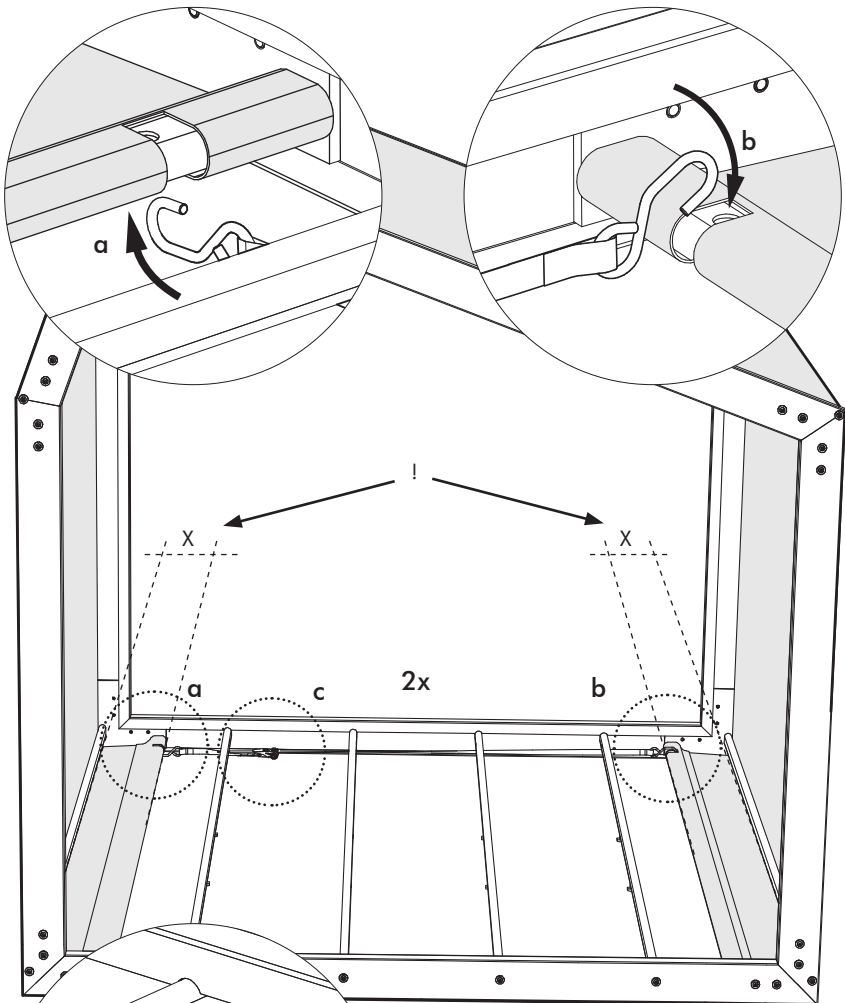


18



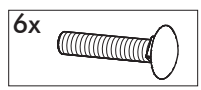
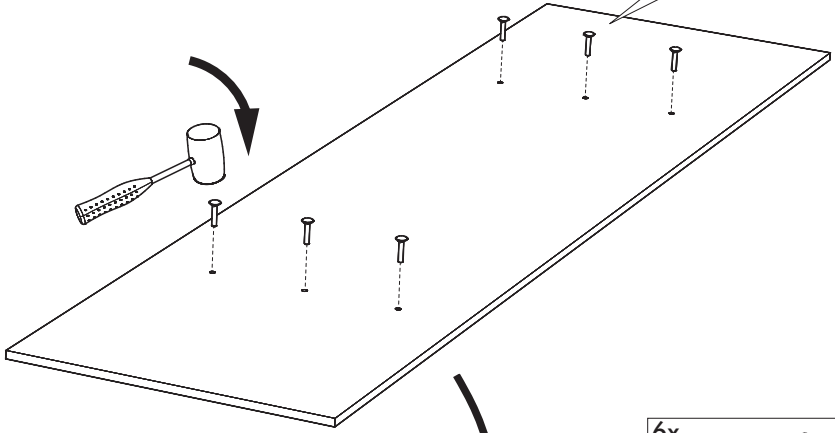
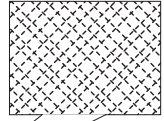


21 Yearly check required!

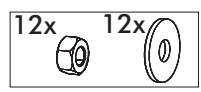
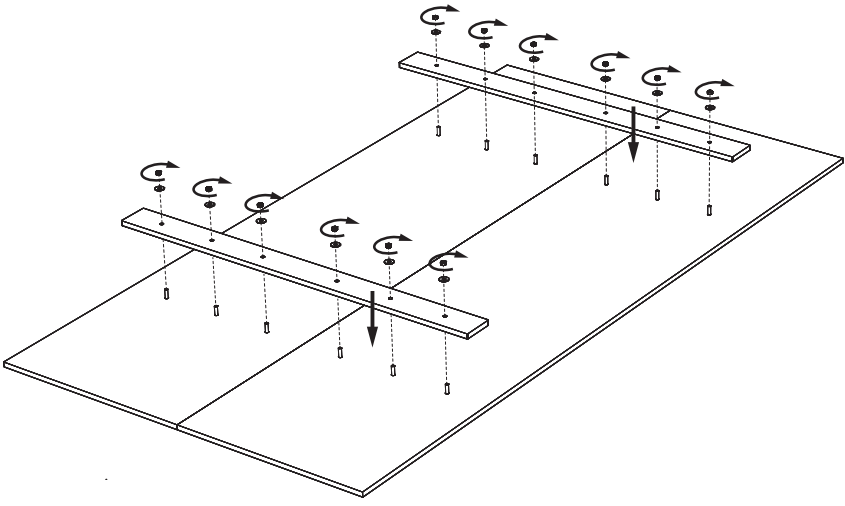


Yearly check required!

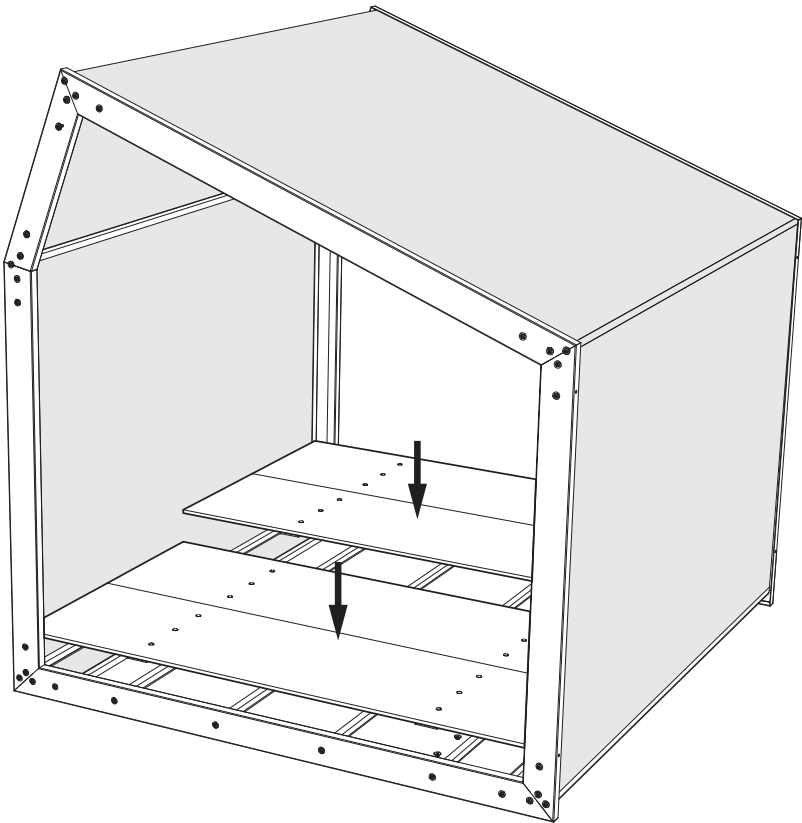
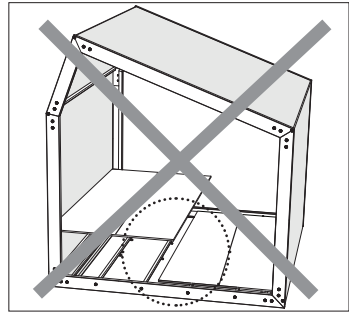
22



23

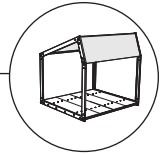


24

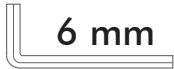


BuzziShed Open

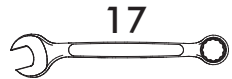
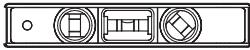
3 PERS. 



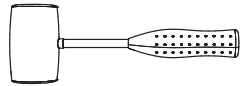
Excluded



6 mm



17



Included



24 x 24 x



24 x



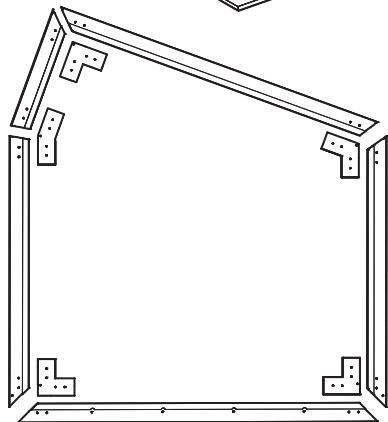
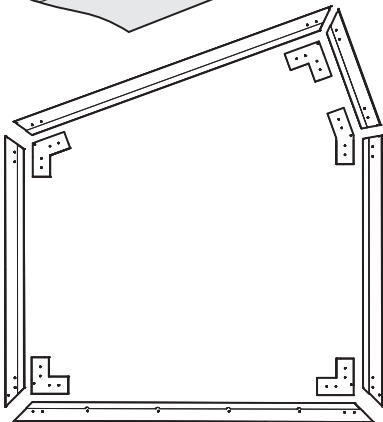
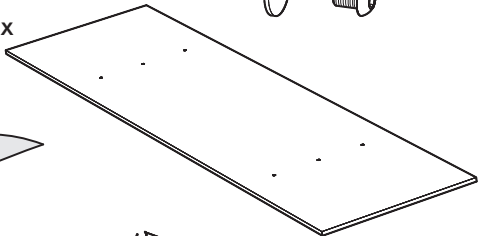
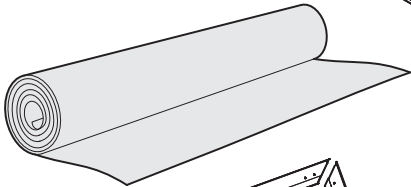
58 x

58 x

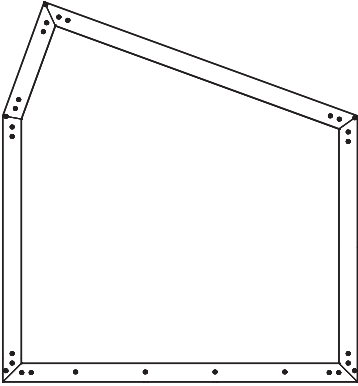
4 x



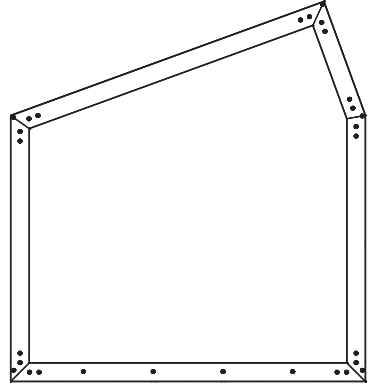
4 x



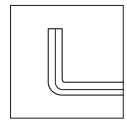
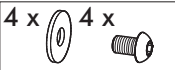
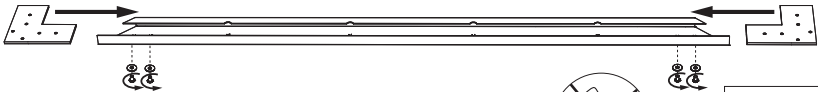
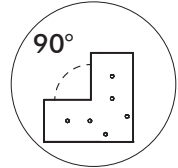
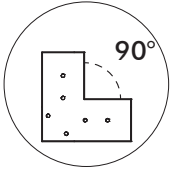
Side A



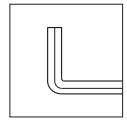
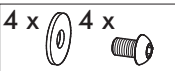
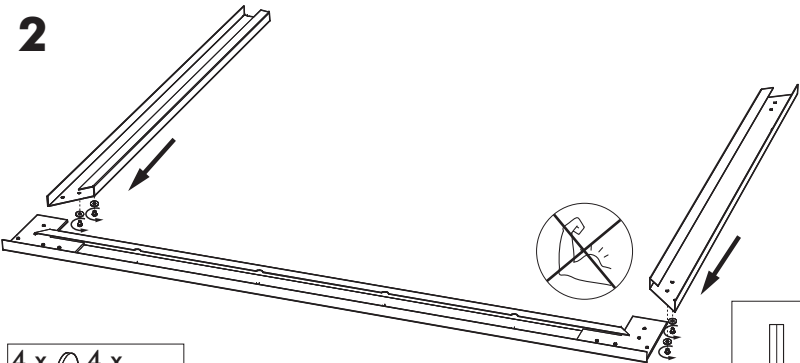
Side B

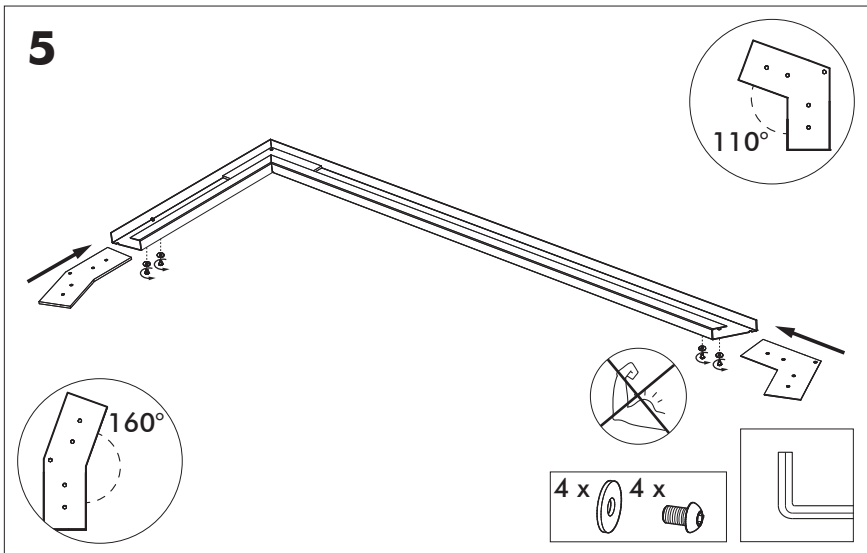
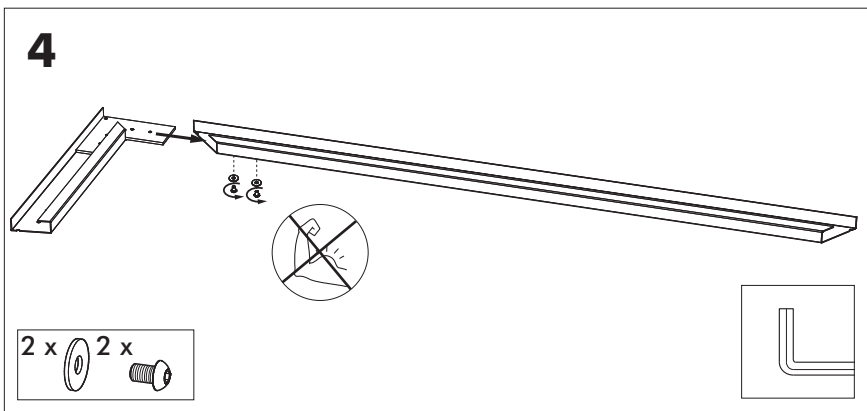
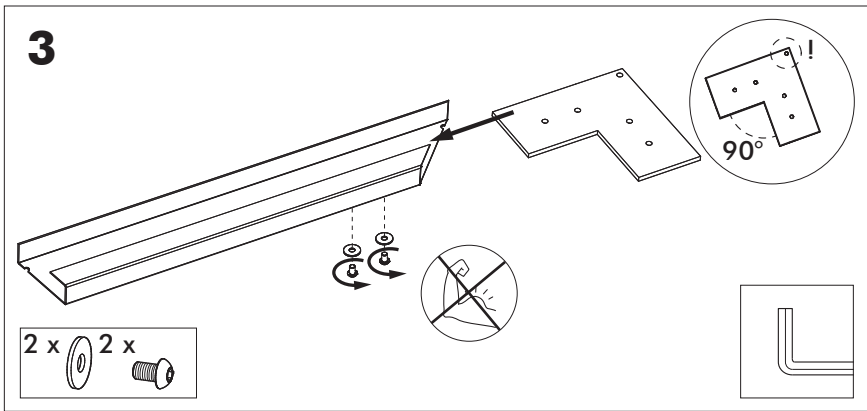


1

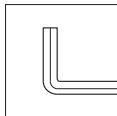
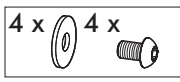
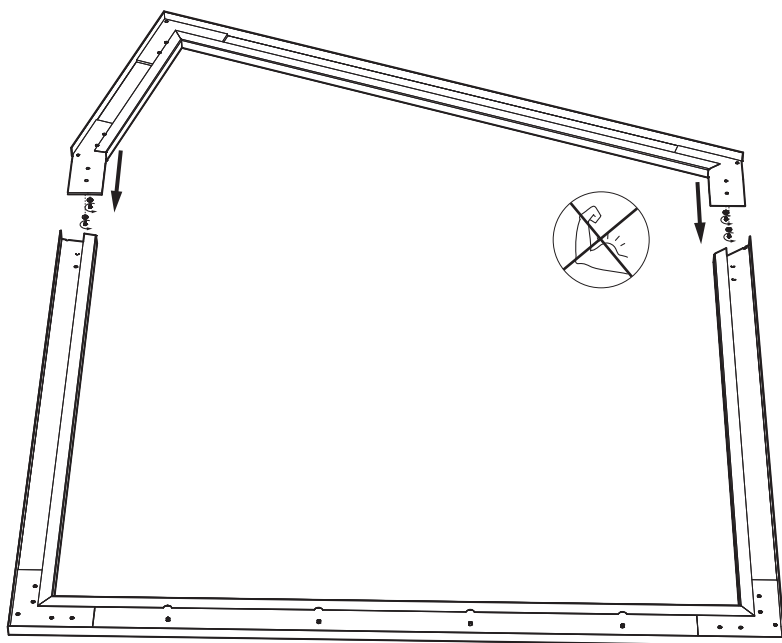


2

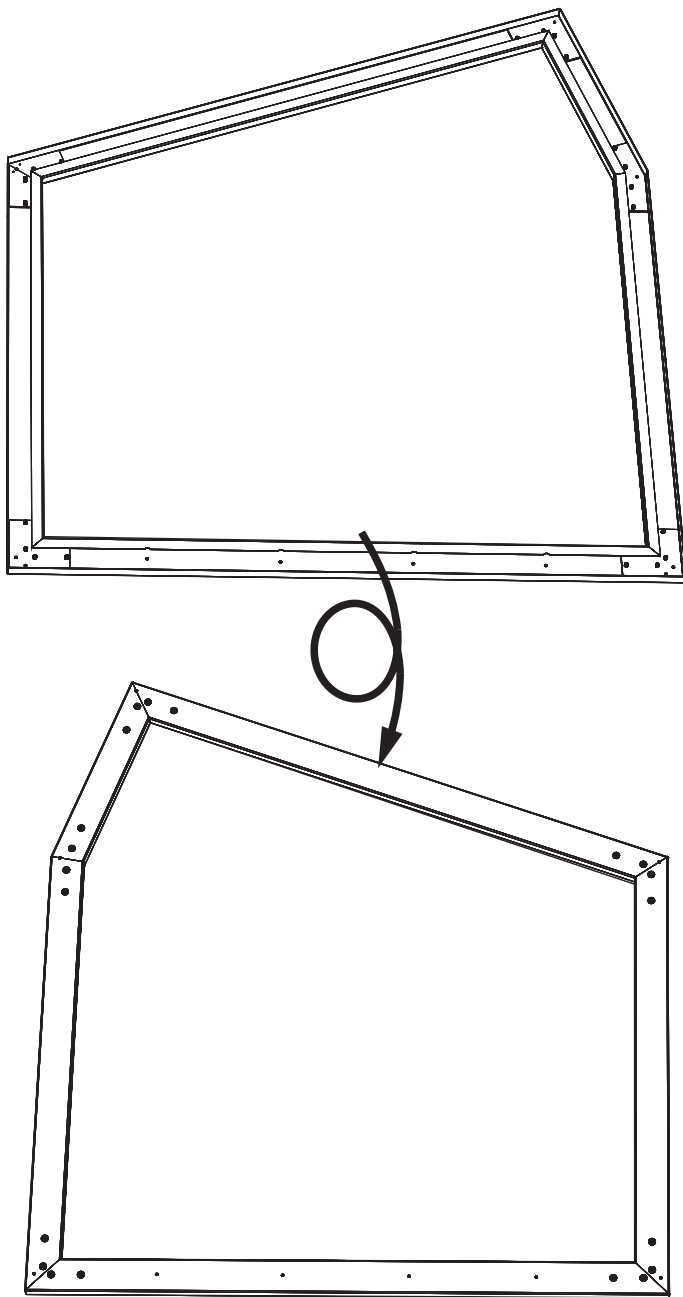




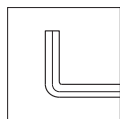
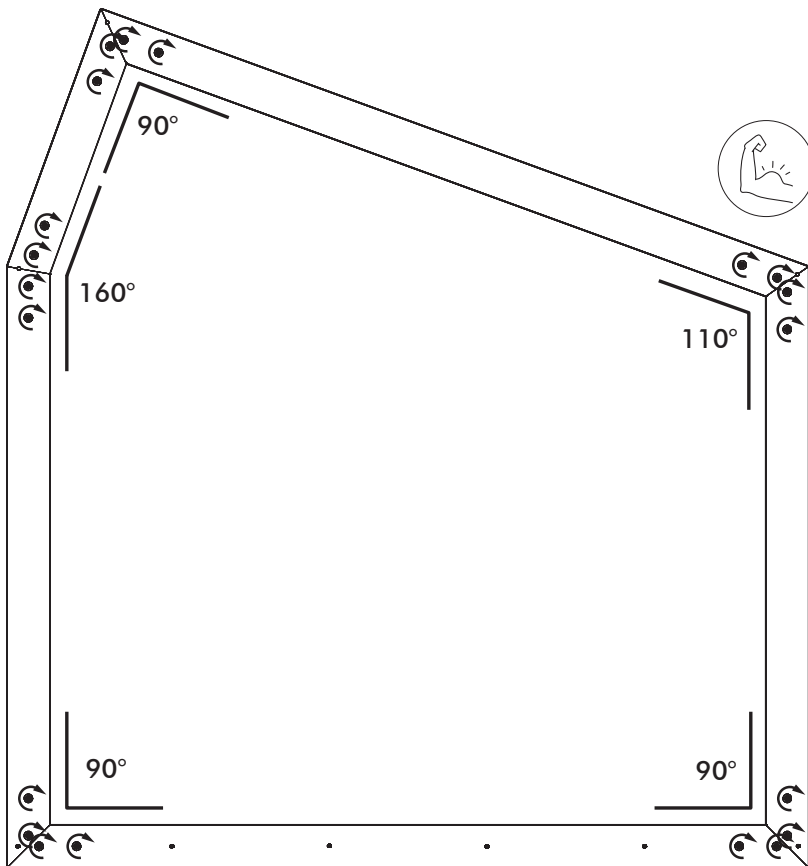
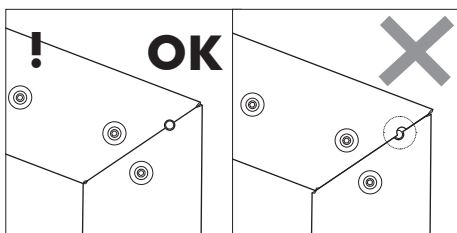
6



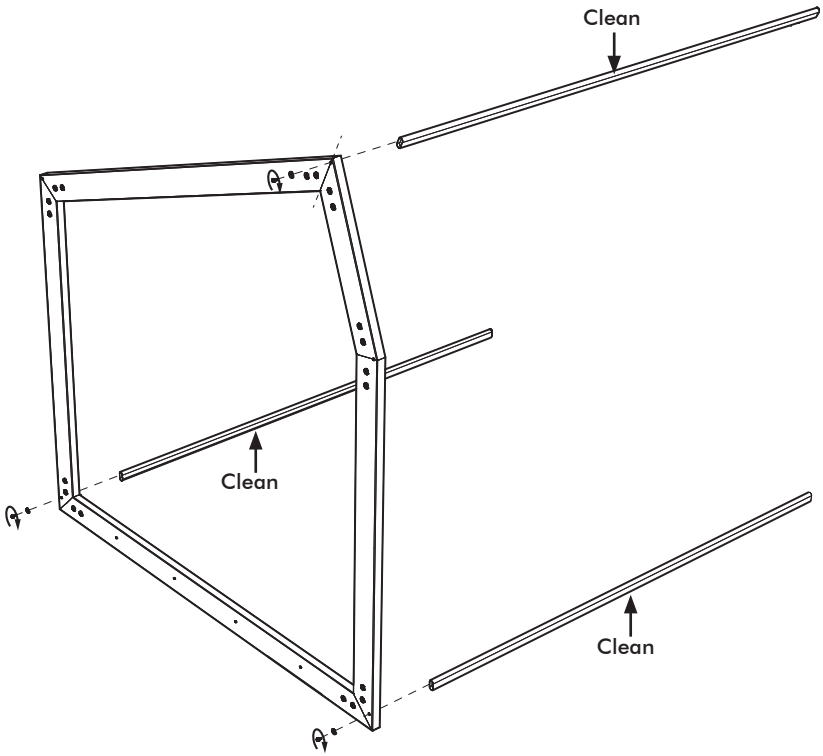
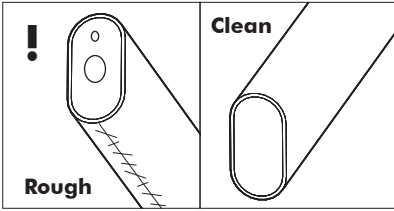
7



8



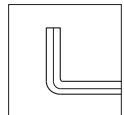
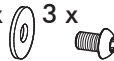
9



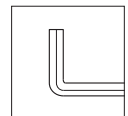
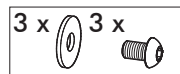
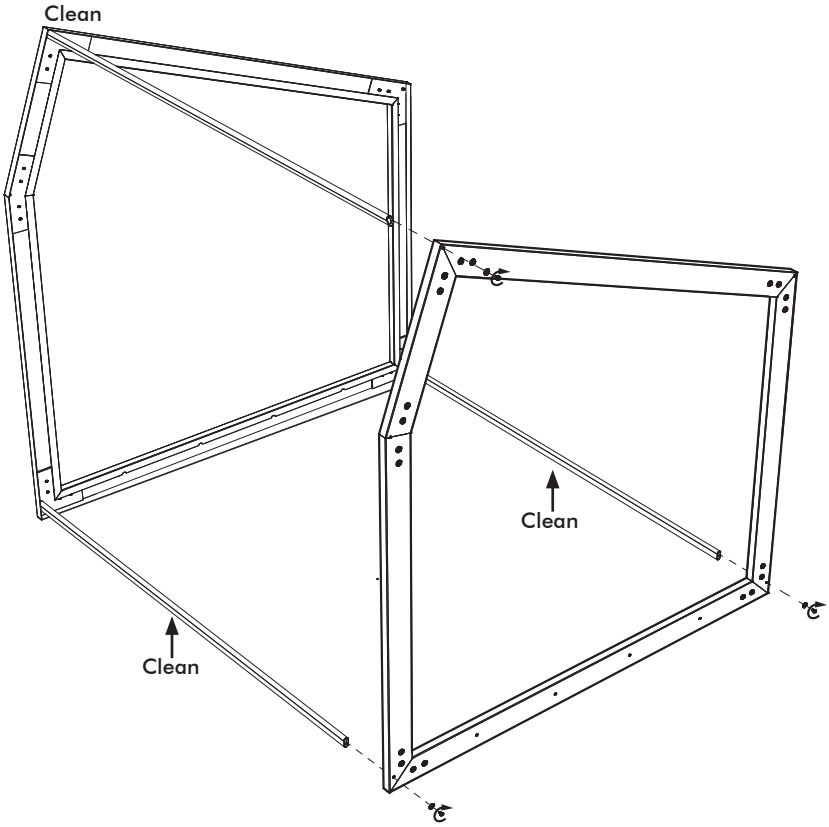
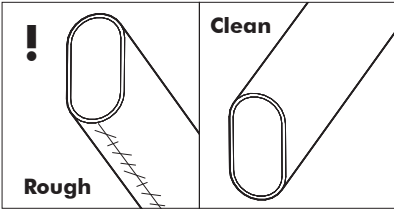
3 x



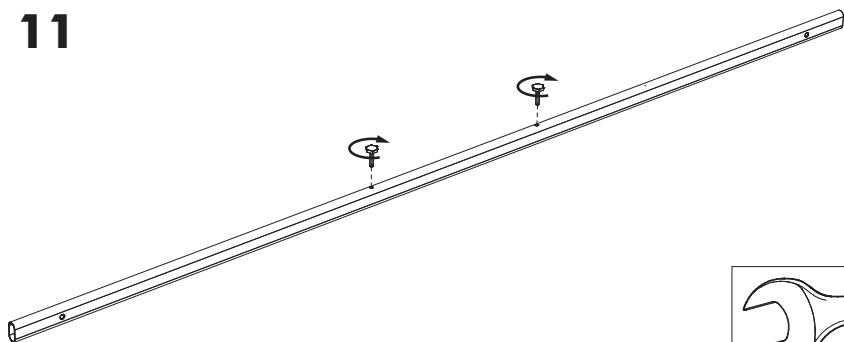
3 x 3 x



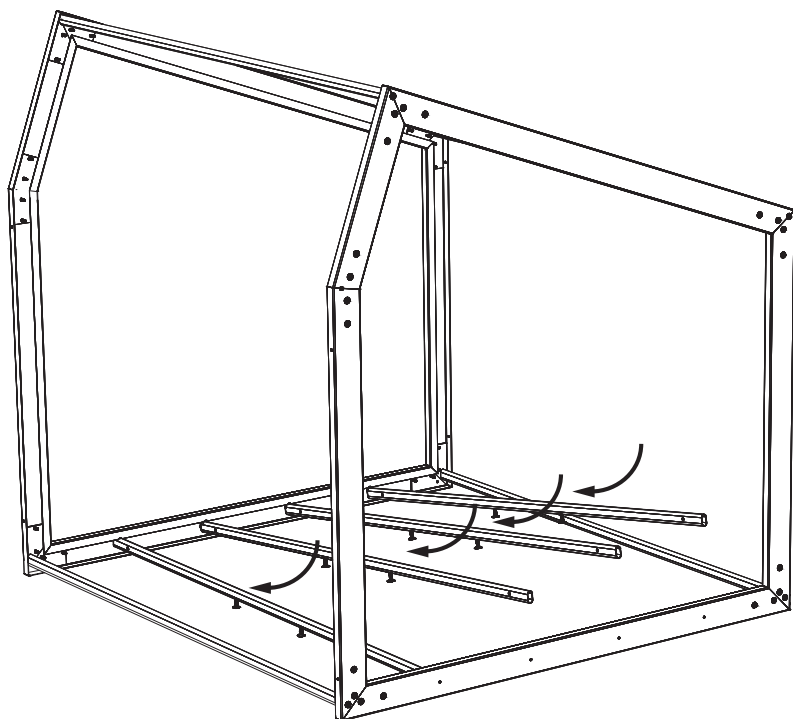
10



11



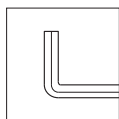
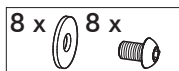
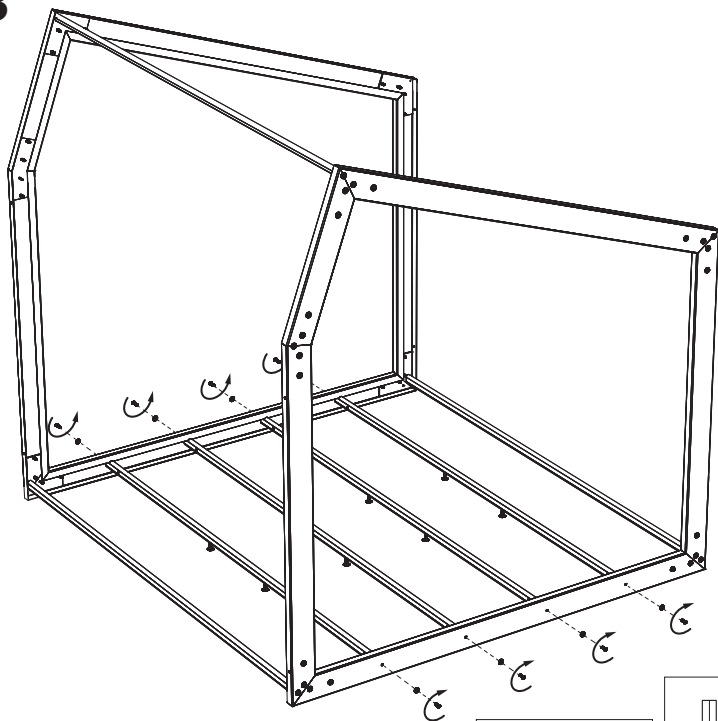
12



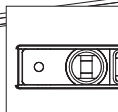
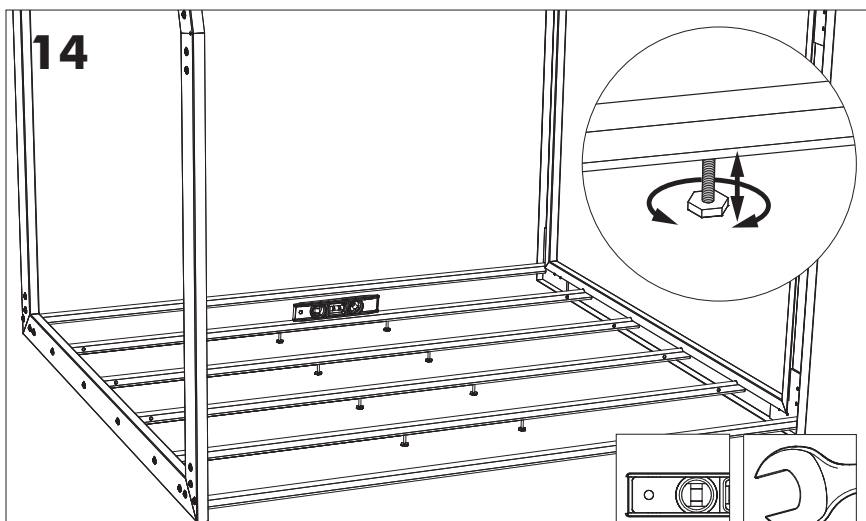
4 x



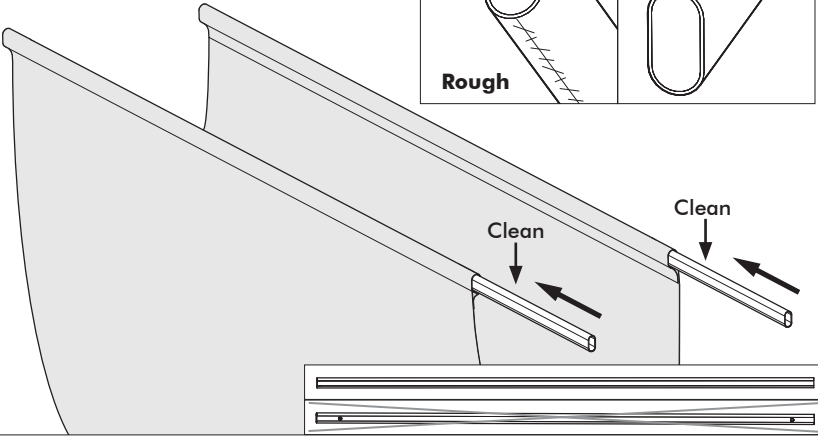
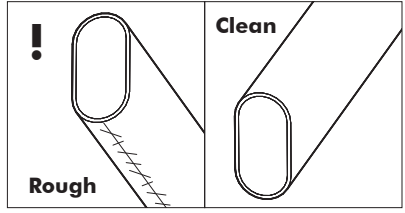
13



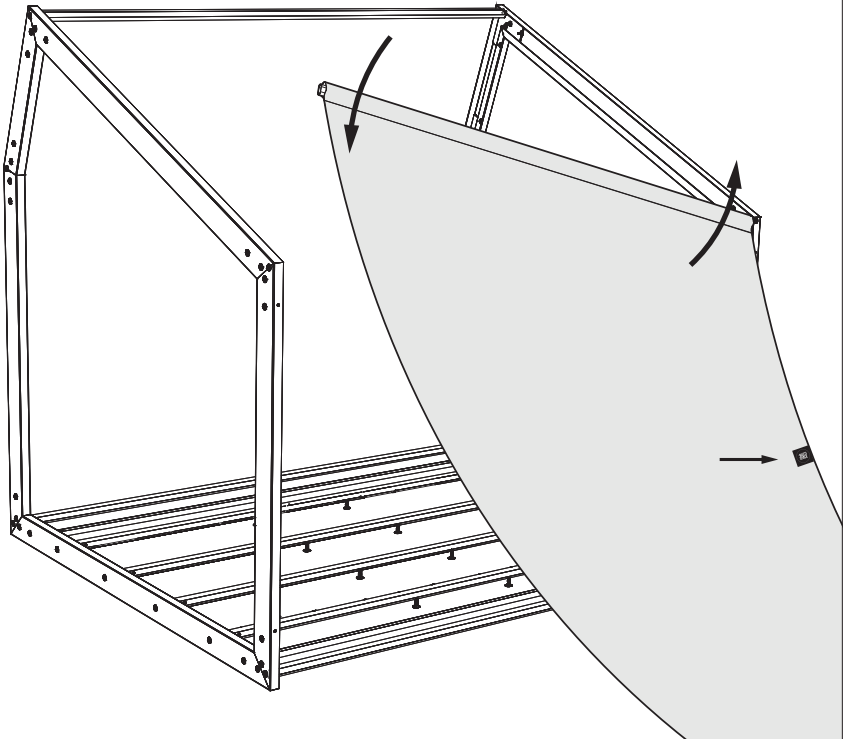
14



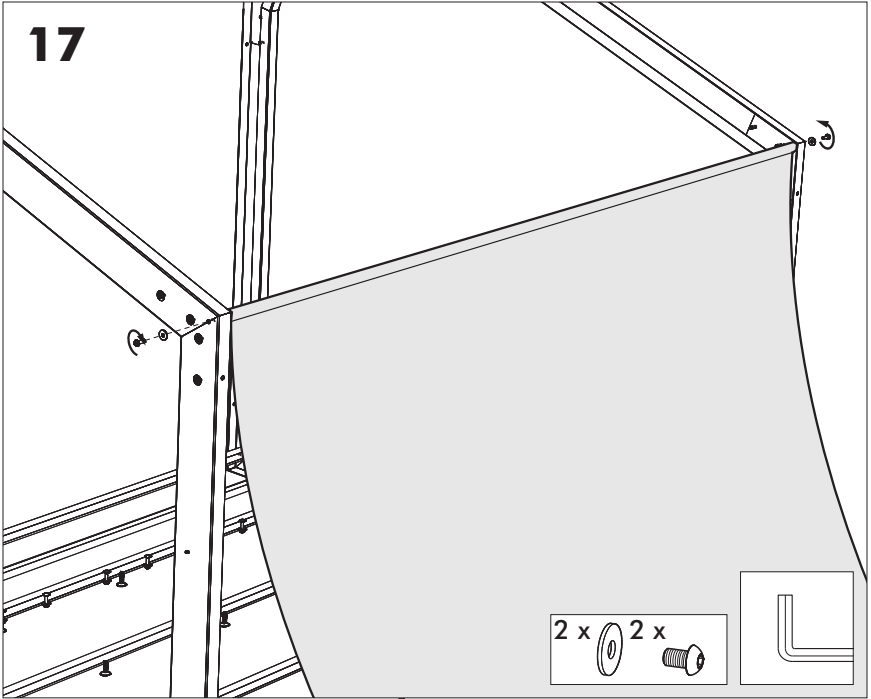
15



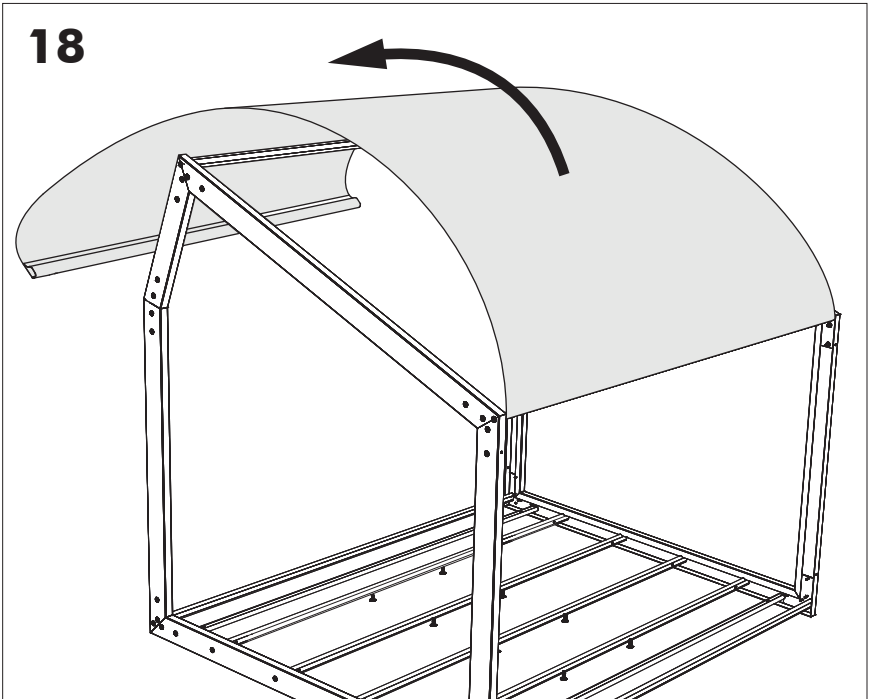
16



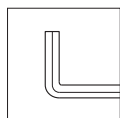
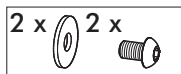
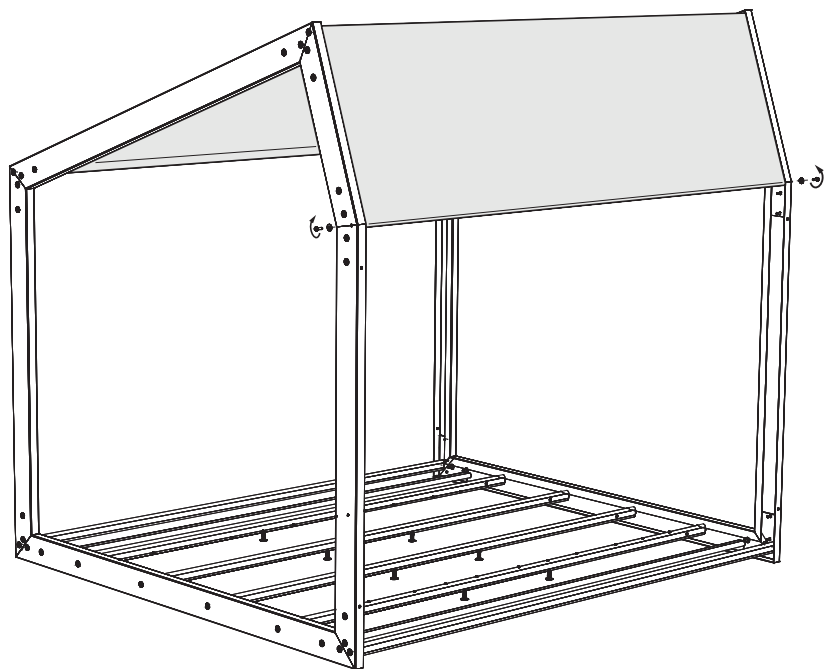
17



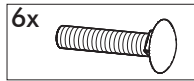
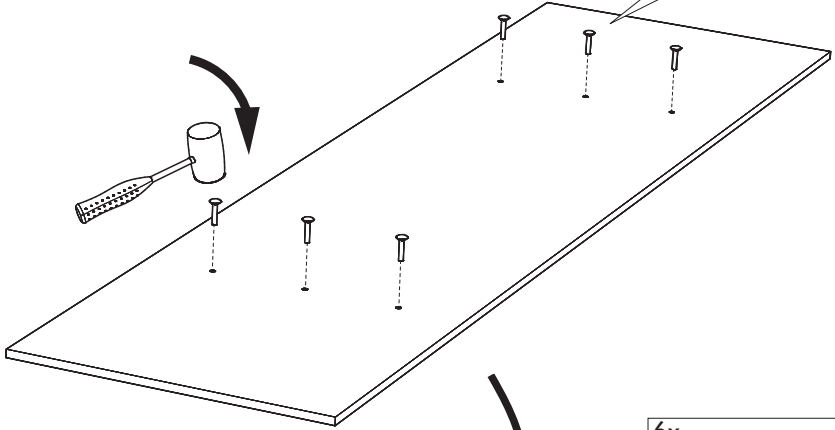
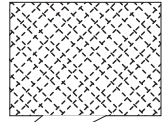
18



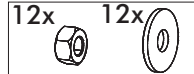
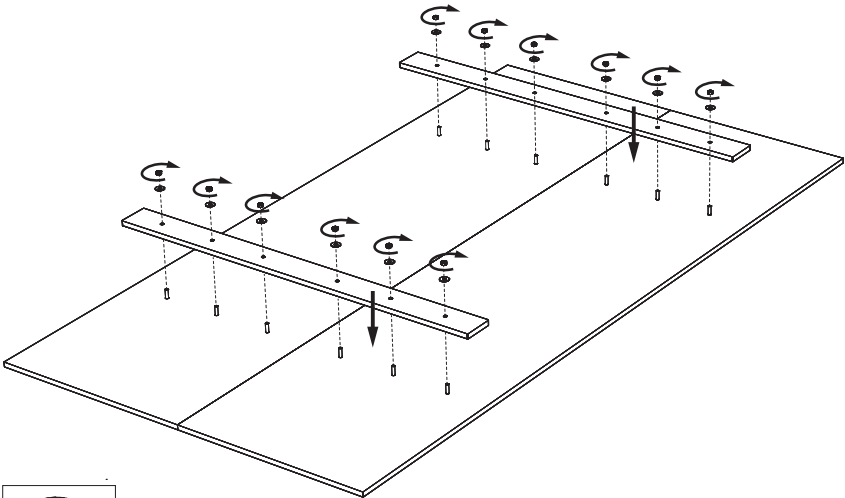
19



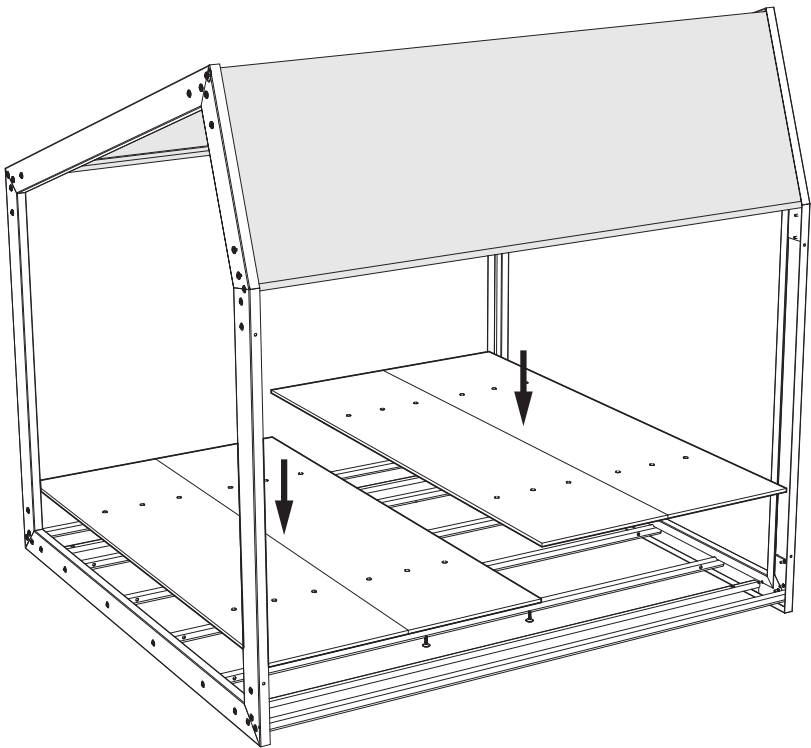
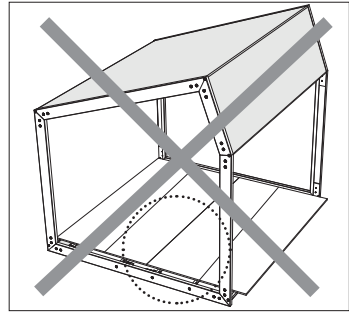
20



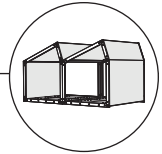
21



22



BuzziShed Gutter

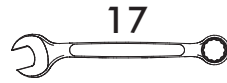


2 PERS. 

Excluded



6 mm



17

Included



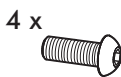
10 x



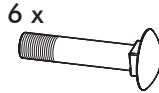
10 x



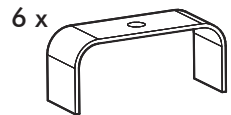
4 x



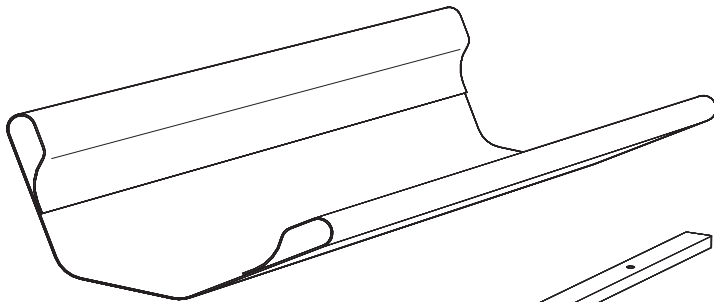
4 x



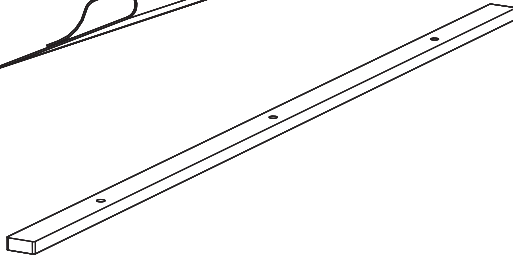
6 x



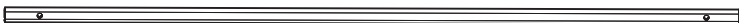
6 x



2 x

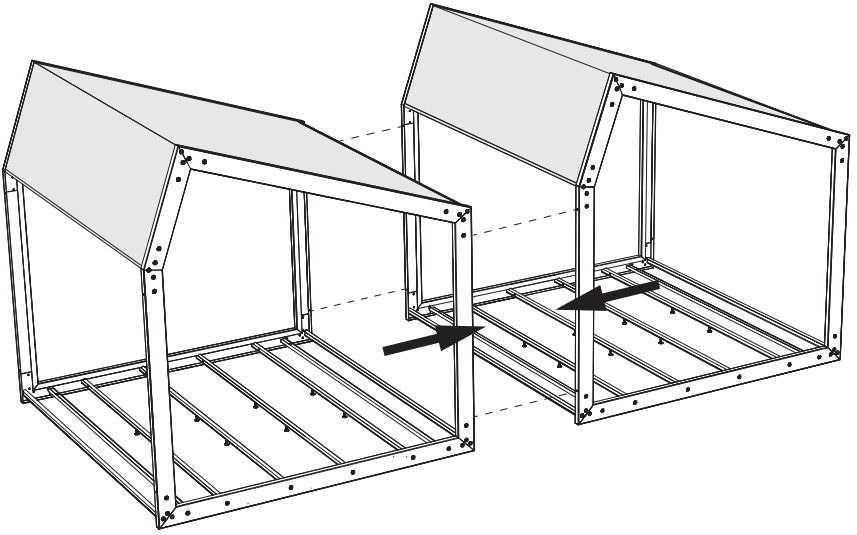


2 x *

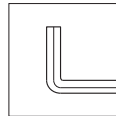
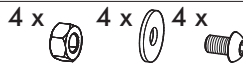
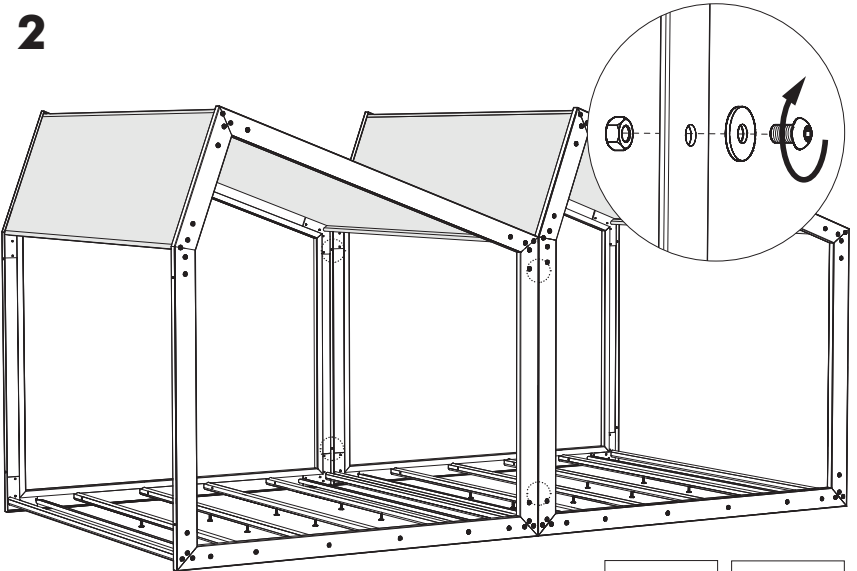


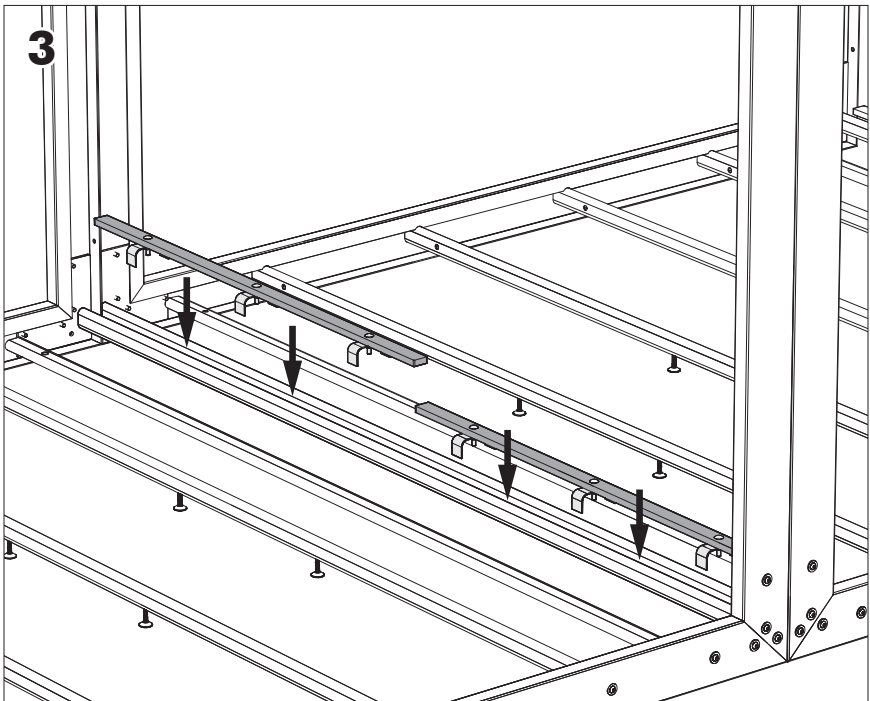
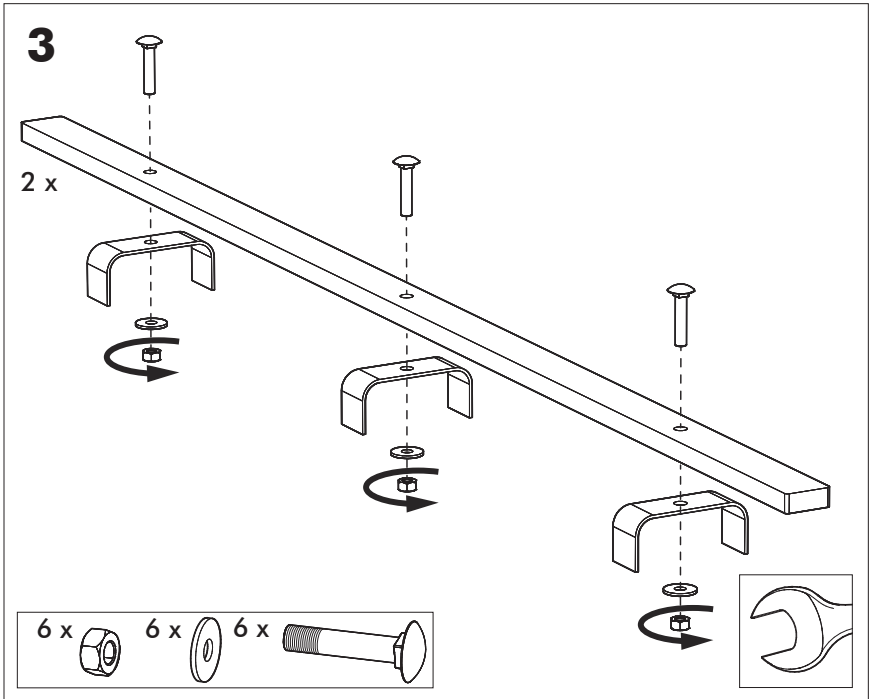
*Remaining tubes from half open and open frame

1

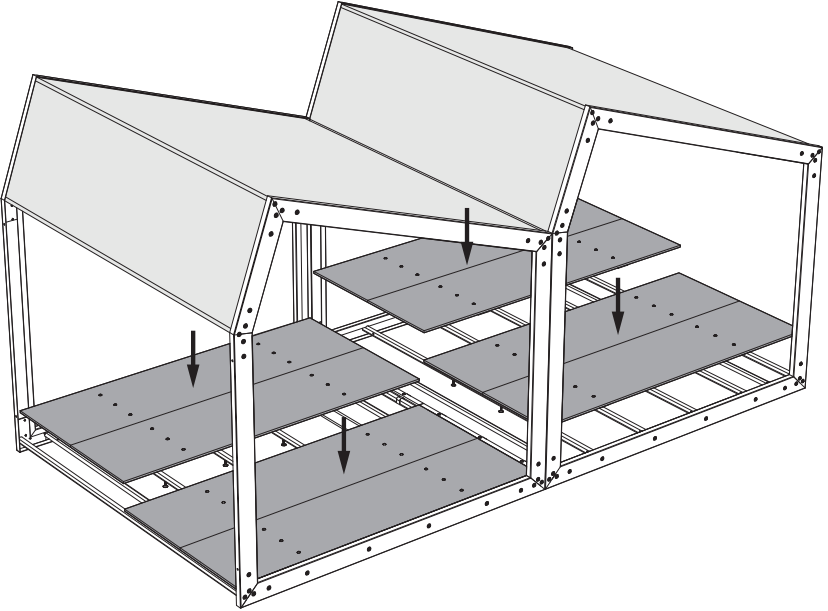


2

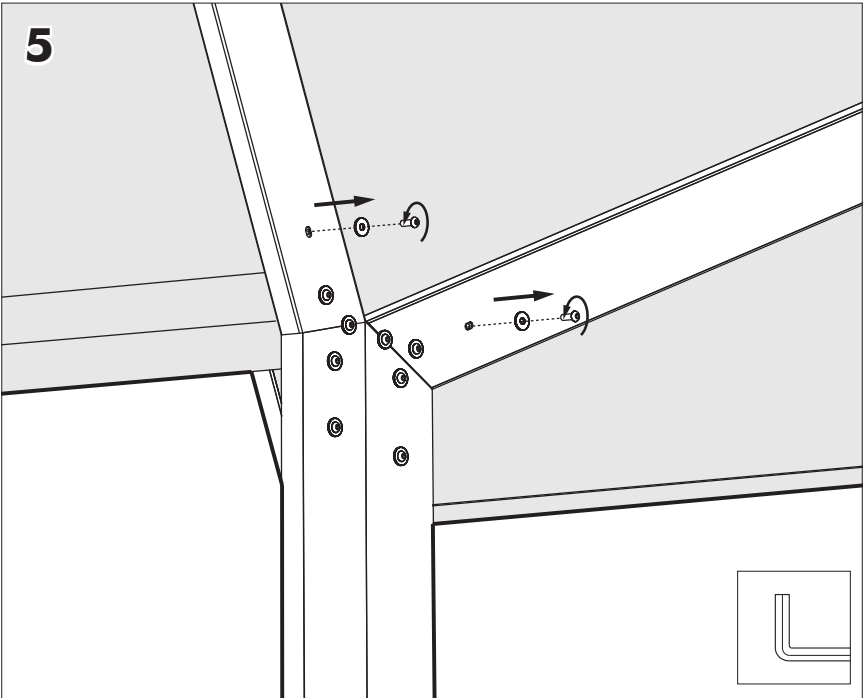


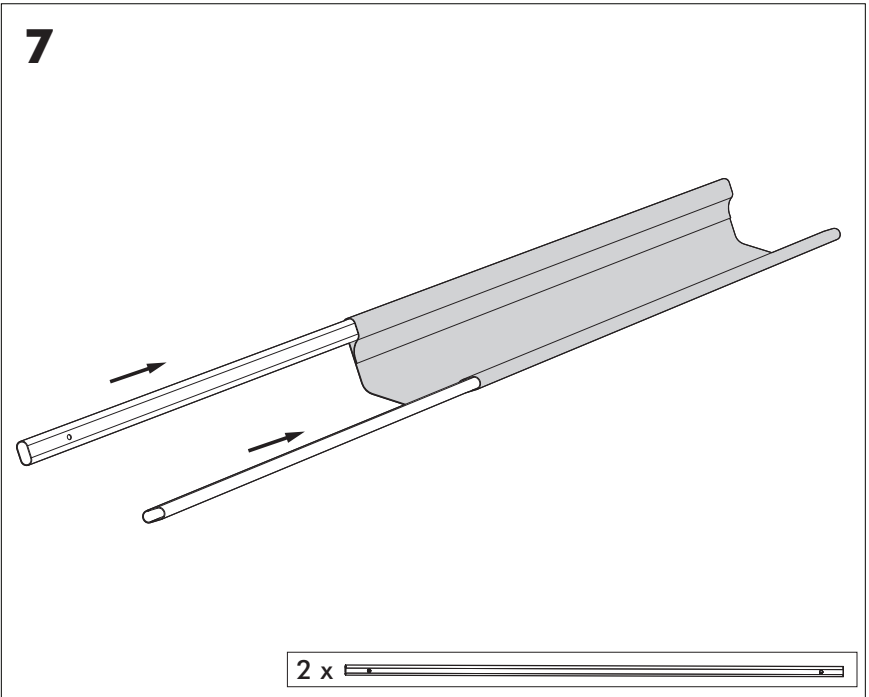
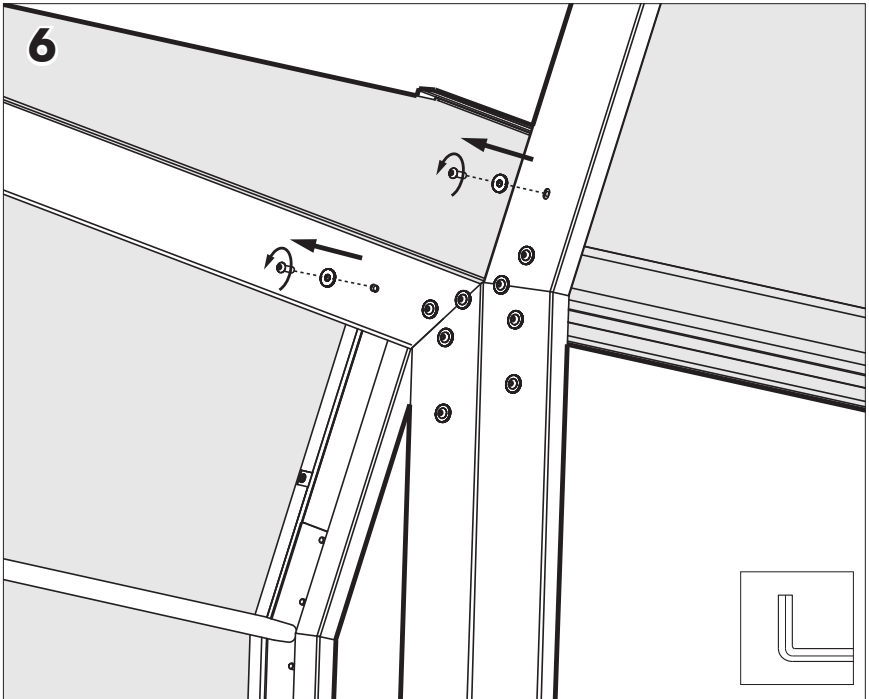


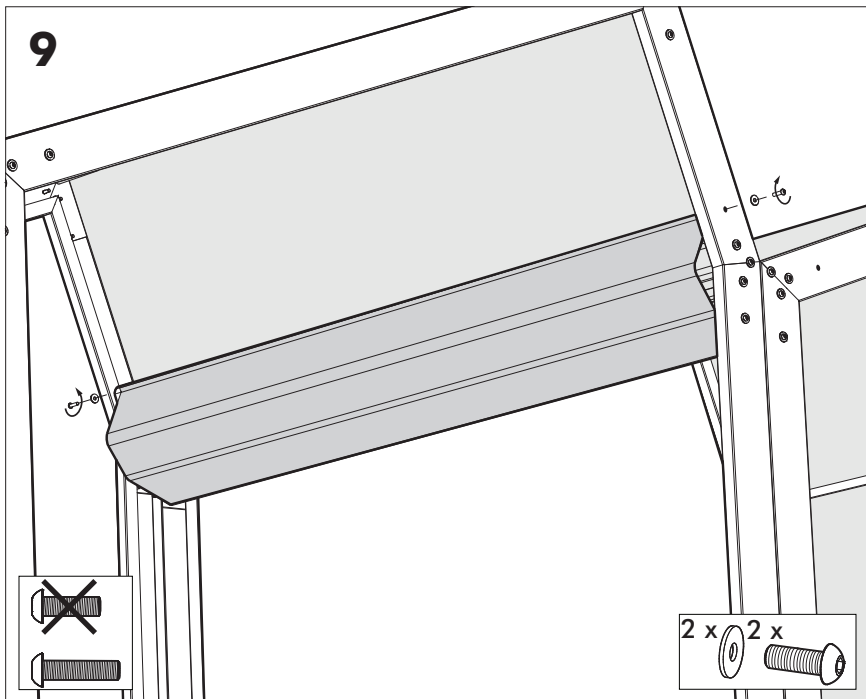
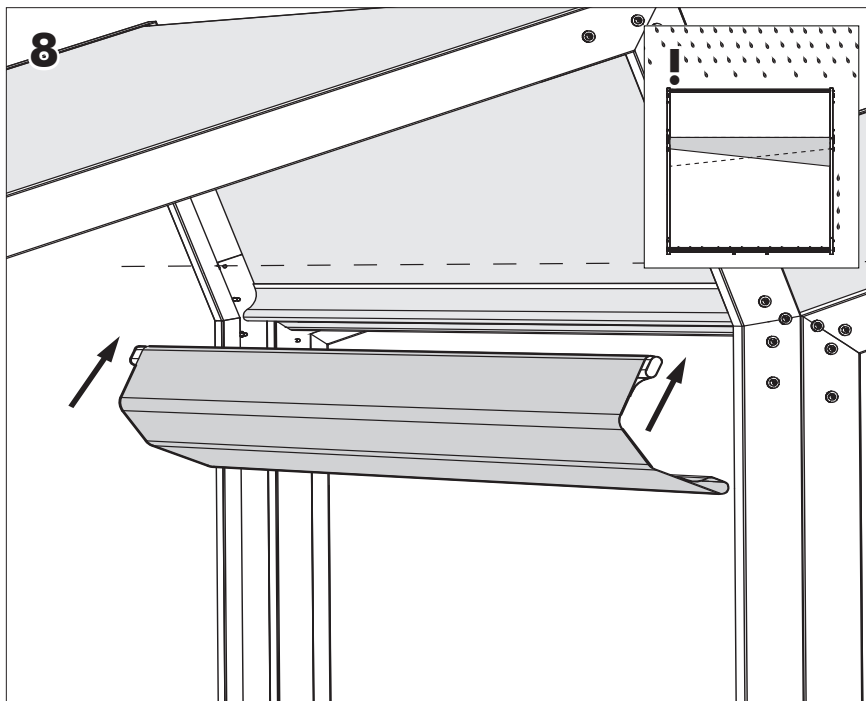
4

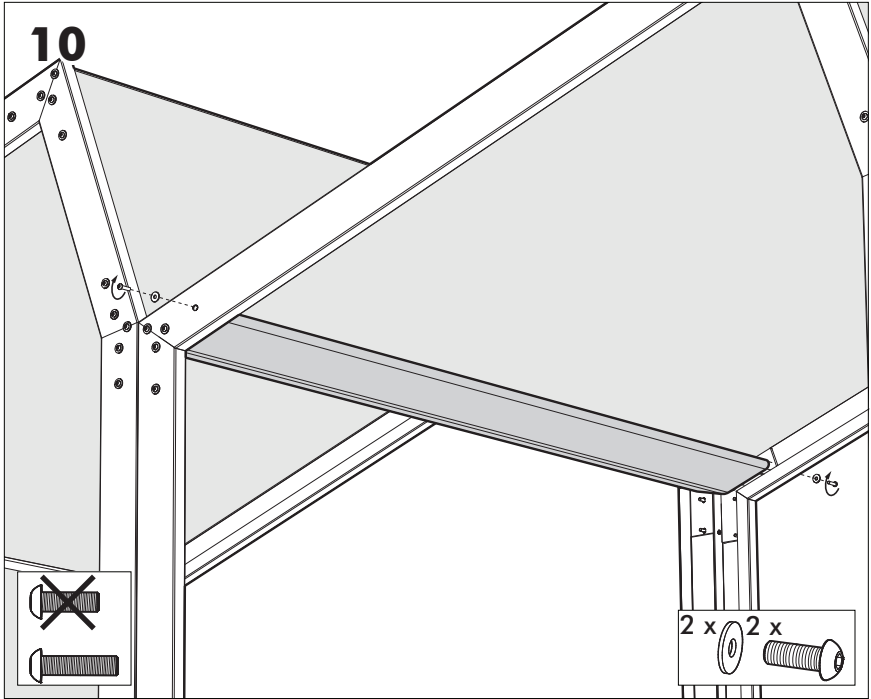


5







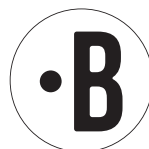


BuzziSpace Group NV
Italiëlei 8, 2000 Antwerp
Belgium

☎ +32 (0)3 846 10 00

✉ info@buzzi.space

🌐 www.buzzi.space



Doc nr.: A-0000001703/02

Last update: 07/12/2023