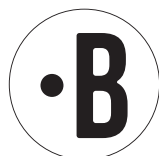
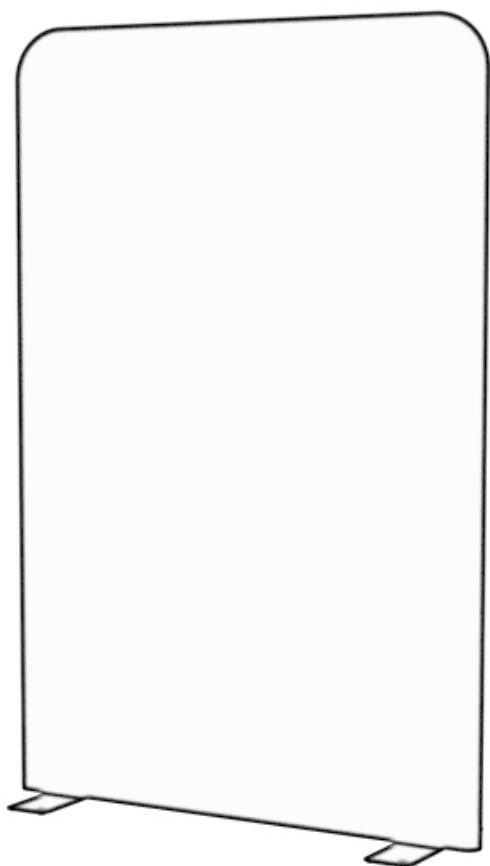
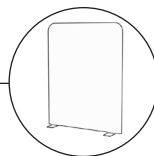


BuzziShield Free

INSTALLATION MANUAL

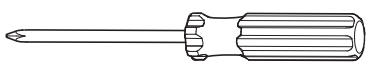


BuzziShield Free

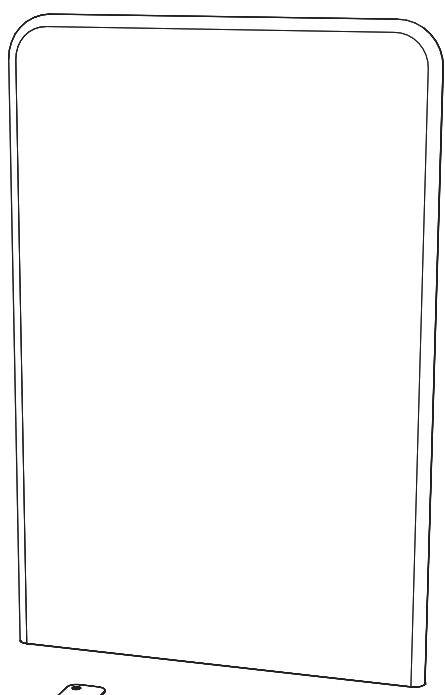


1 PERS. 

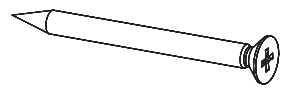
Excluded



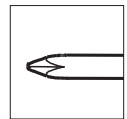
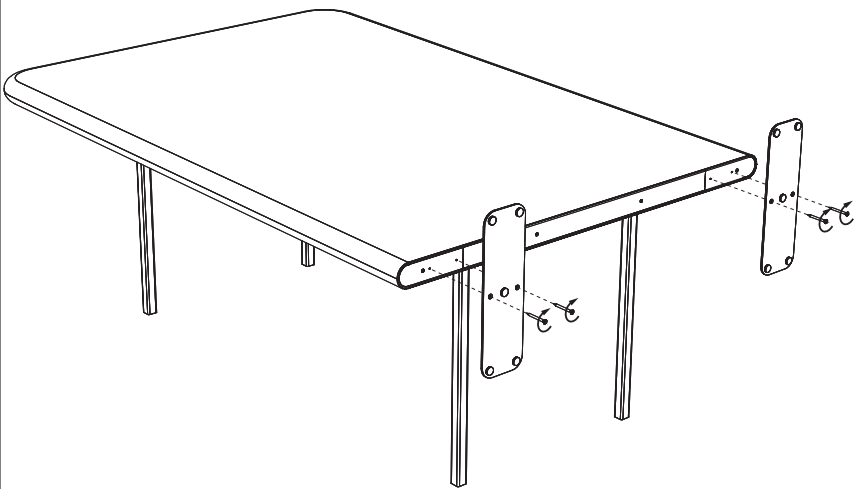
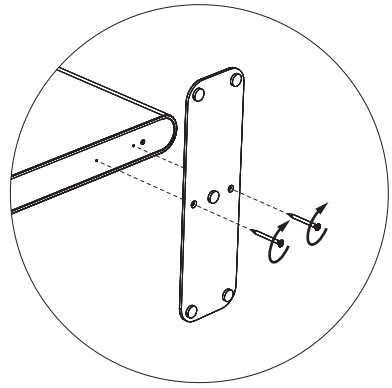
Included



4x



1

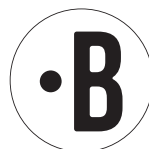


BuzziSpace Group NV
Italiëlei 8, 2000 Antwerp
Belgium

☎ +32 (0)3 846 10 00

✉ info@buzzi.space

🌐 www.buzzi.space



Doc nr.: A-0000010511/01

Last update: 07/12/2023