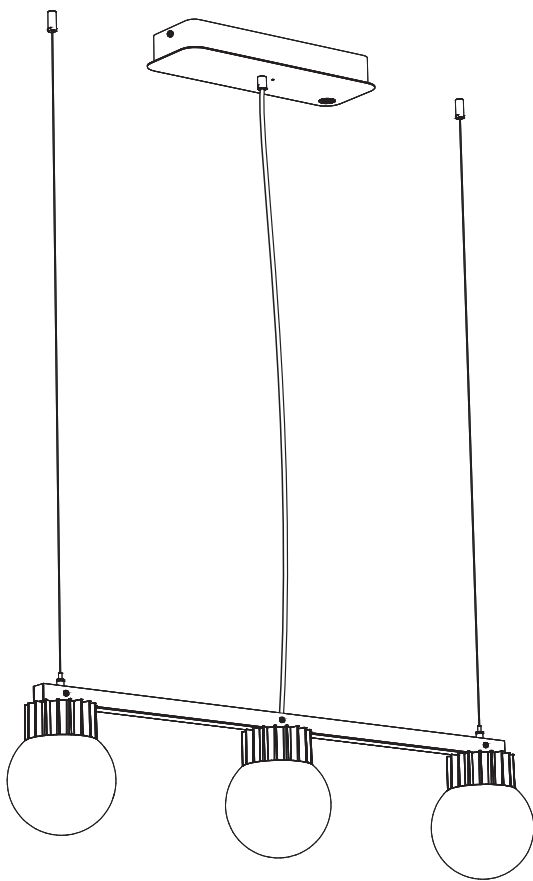


# BuzziSol Solo

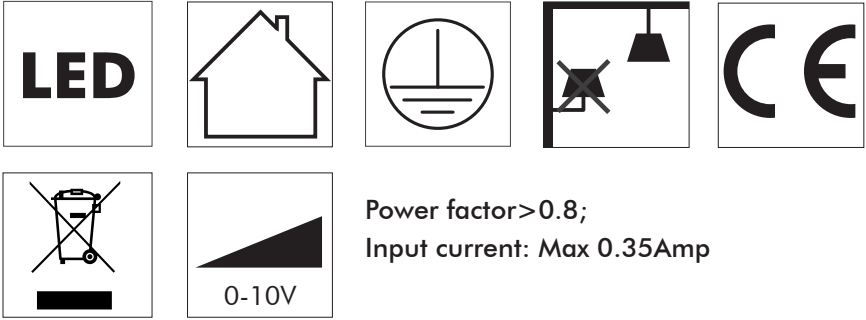
# BuzziSol Trio

# BuzziSol Quintet

INSTALLATION MANUAL  
220-240V

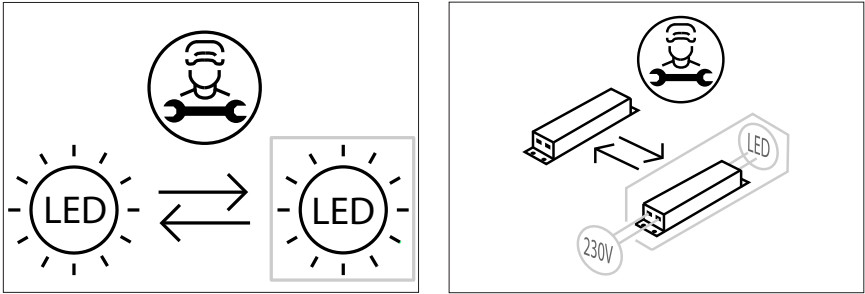


## Technical info



## Environmental Protection

Waste electrical products should not be disposed of with household waste. Please recycle where facilities exist. Check with your Local Authority or retailer for recycling advice.



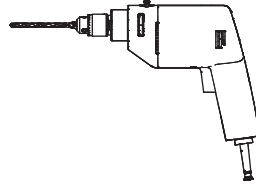
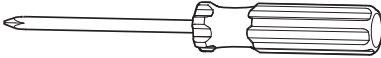
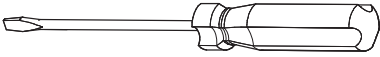
**⚠** The BuzziSol Solo is approved to be combined with BuzziPleat. The BuzziSol Trio and quintet is approved to be combined with BuzziZepp.

**⚠** The control terminals of LED driver need to use SELV control signal.

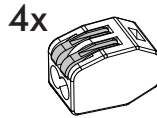
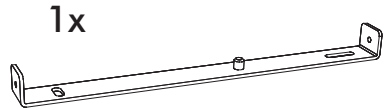
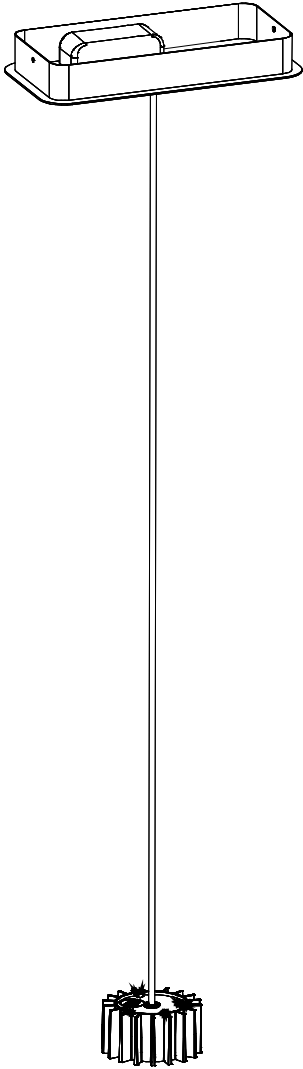
**⚠** If the external flexible cable or cord of this luminaire is damaged, it shall be exclusively replaced by the manufacturer or his service agent or a similar qualified person in order to avoid a hazard."

# Excluded

---



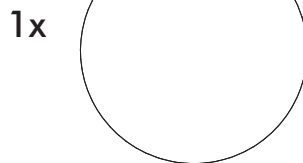
# Included BuzziSol Solo Globe | Spot



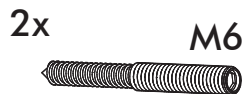
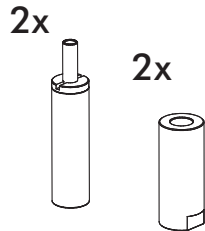
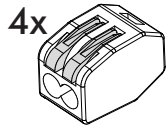
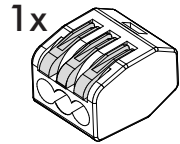
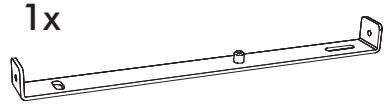
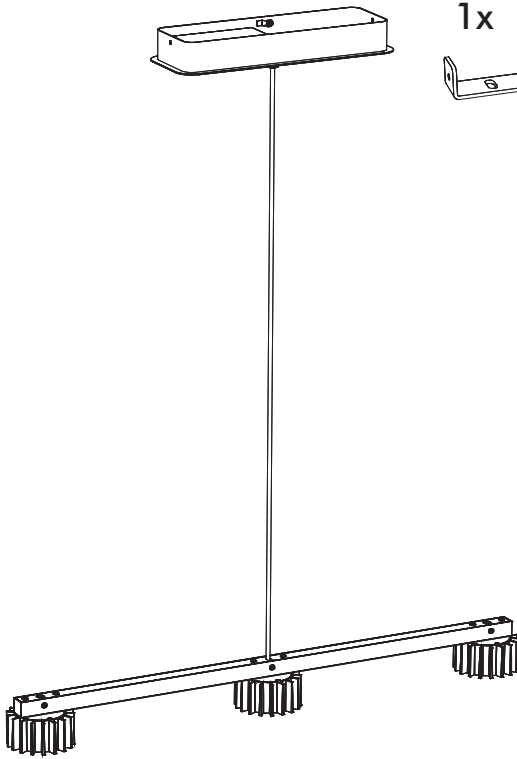
Only if Spot



Only if Globe

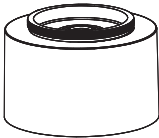


# Included BuzziSol Trio Globe | Spot



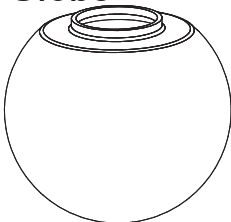
Only if Spot

3x

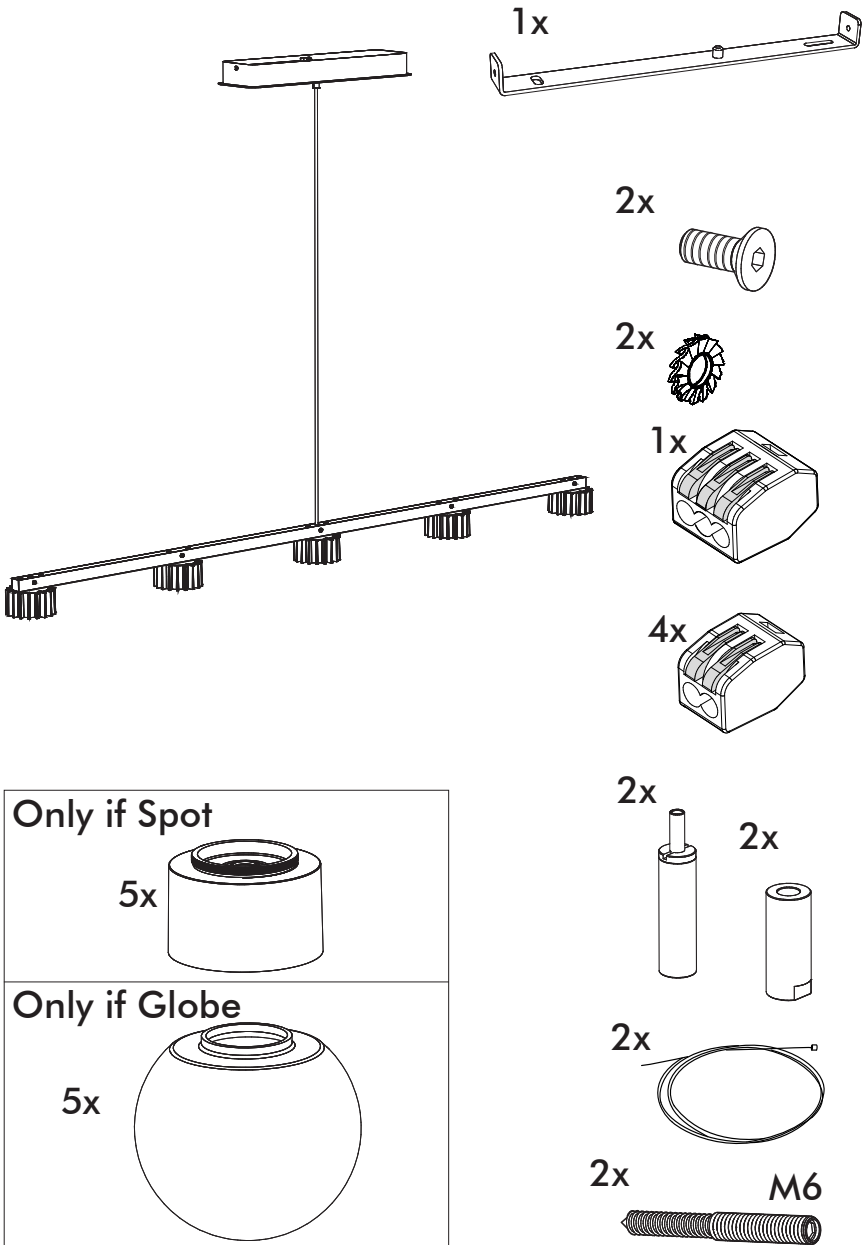


Only if Globe

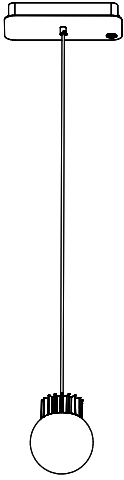
3x



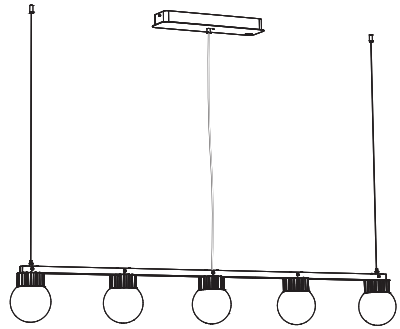
# Included BuzziSol Quintet Globe | Spot



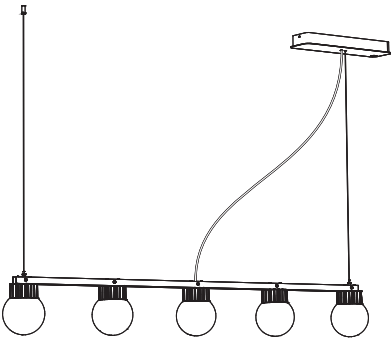
**Solo**



**P.7 Trio|Quintet Type A P.12**

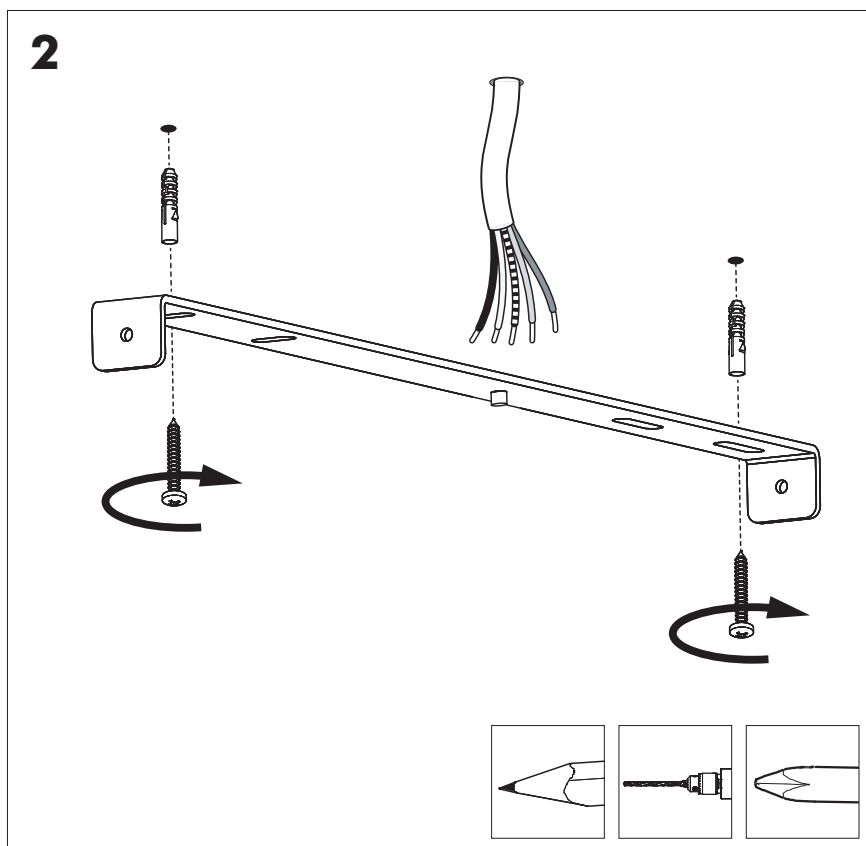
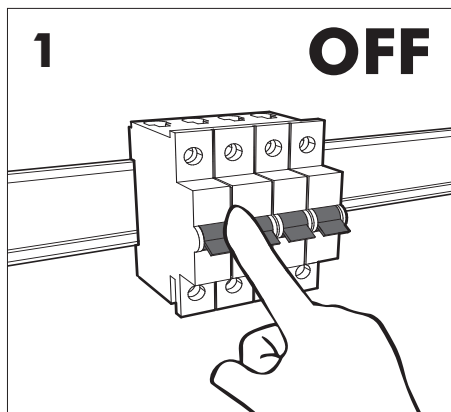


**Trio|Quintet Type B P.21**



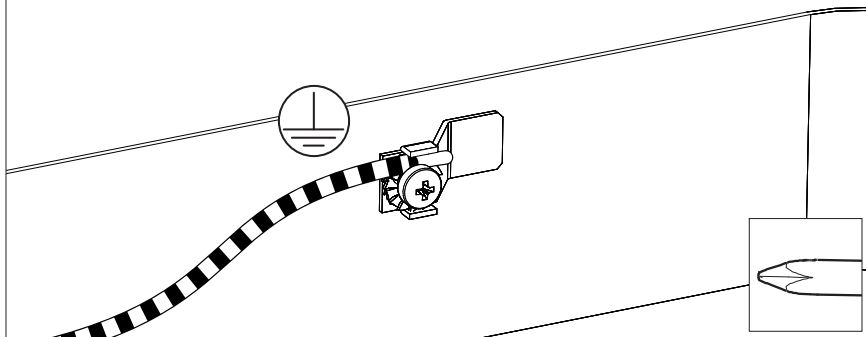
# BuzziSol Solo Globe | Spot

2 PERS. 

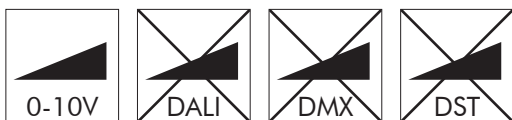




# 3



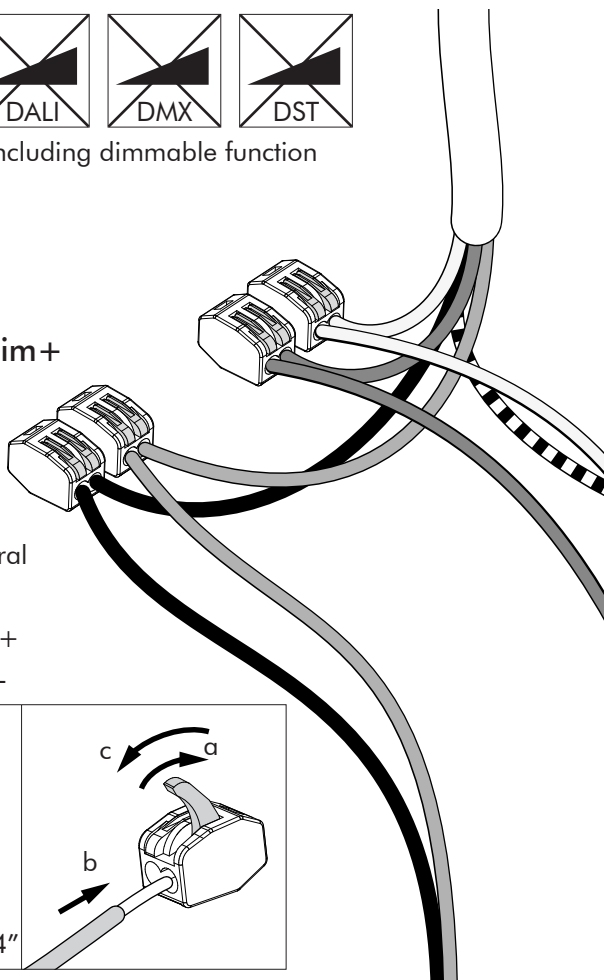
# 4a



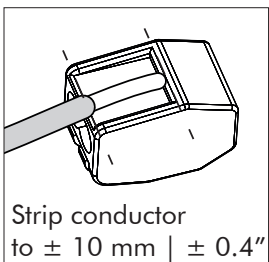
Connection including dimmable function



Dim-

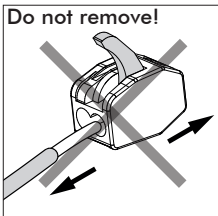
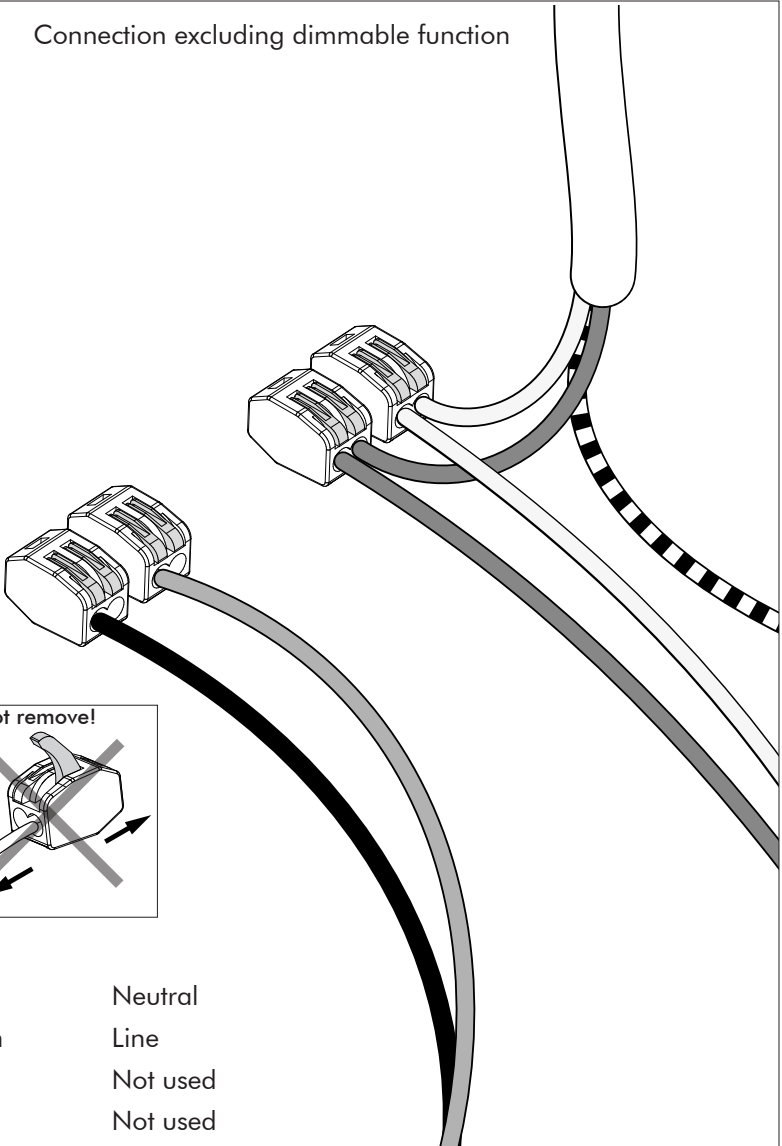


Blue	Neutral
Brown	Line
Red	DIM +
Black	DIM -

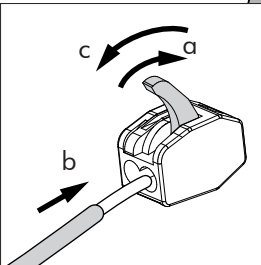
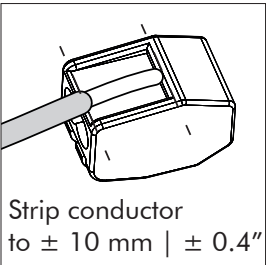


# 4b

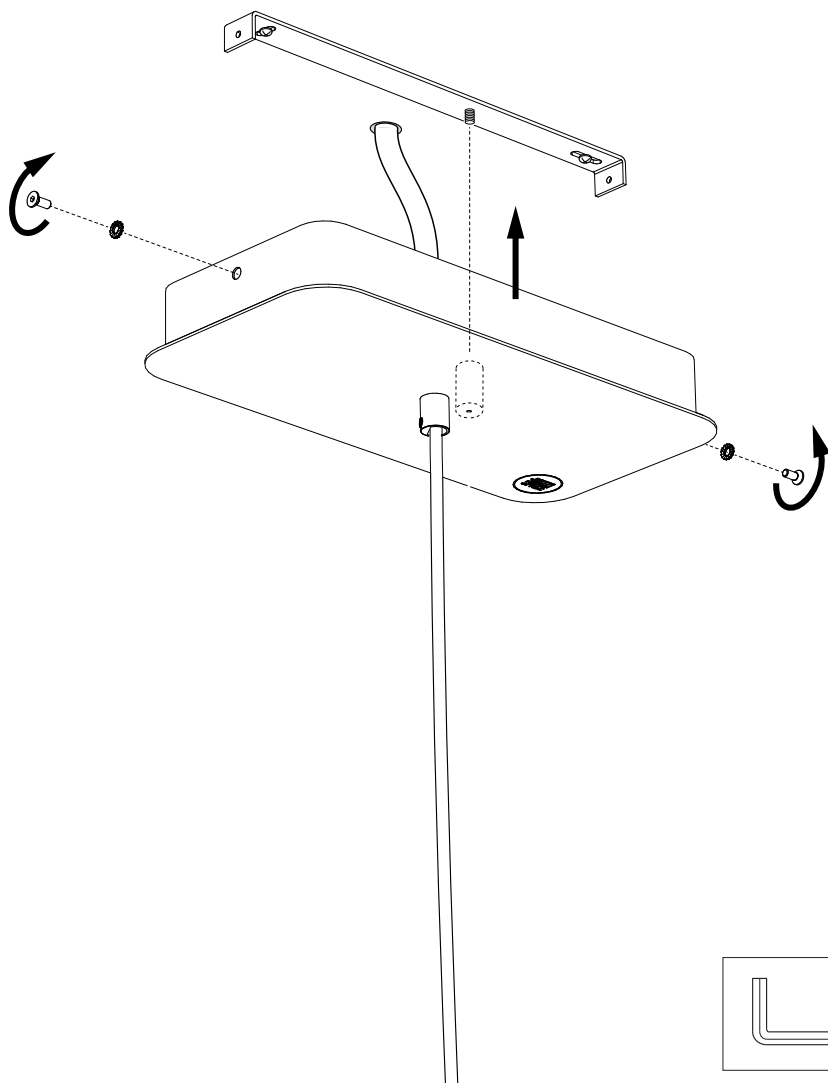
## Connection excluding dimmable function



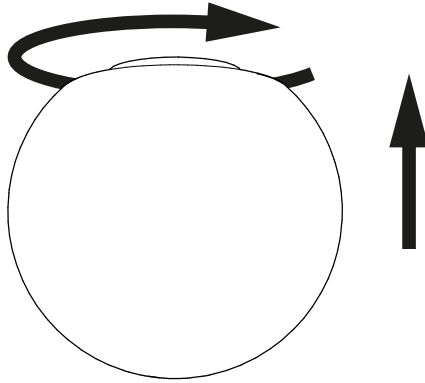
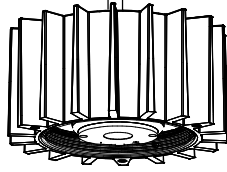
Blue	Neutral
Brown	Line
Red	Not used
Black	Not used



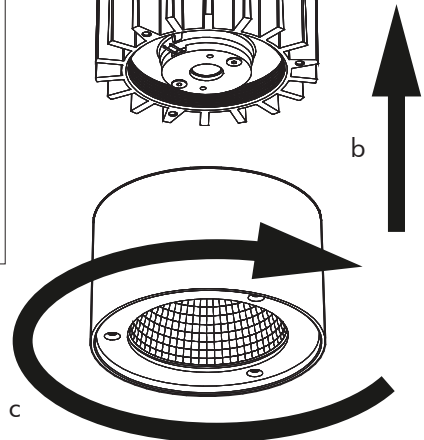
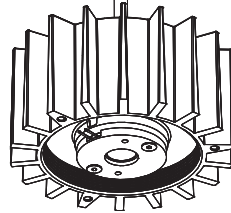
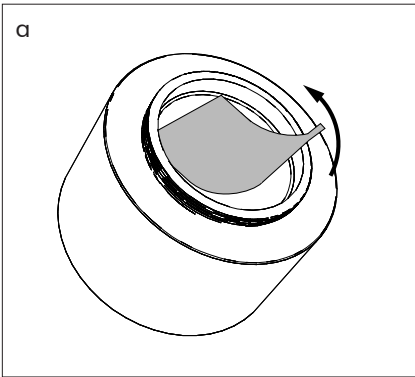
5



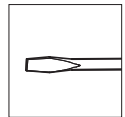
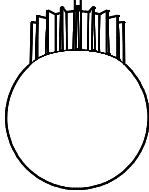
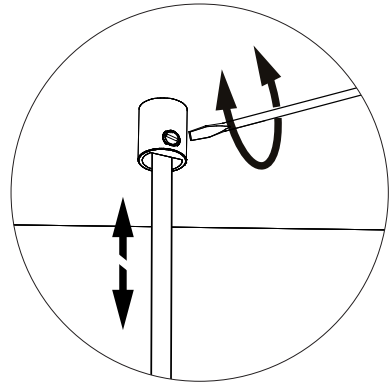
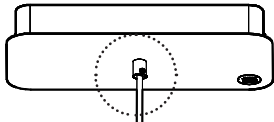
## 6 BuzziSol Globe



## 6 BuzziSol Spot

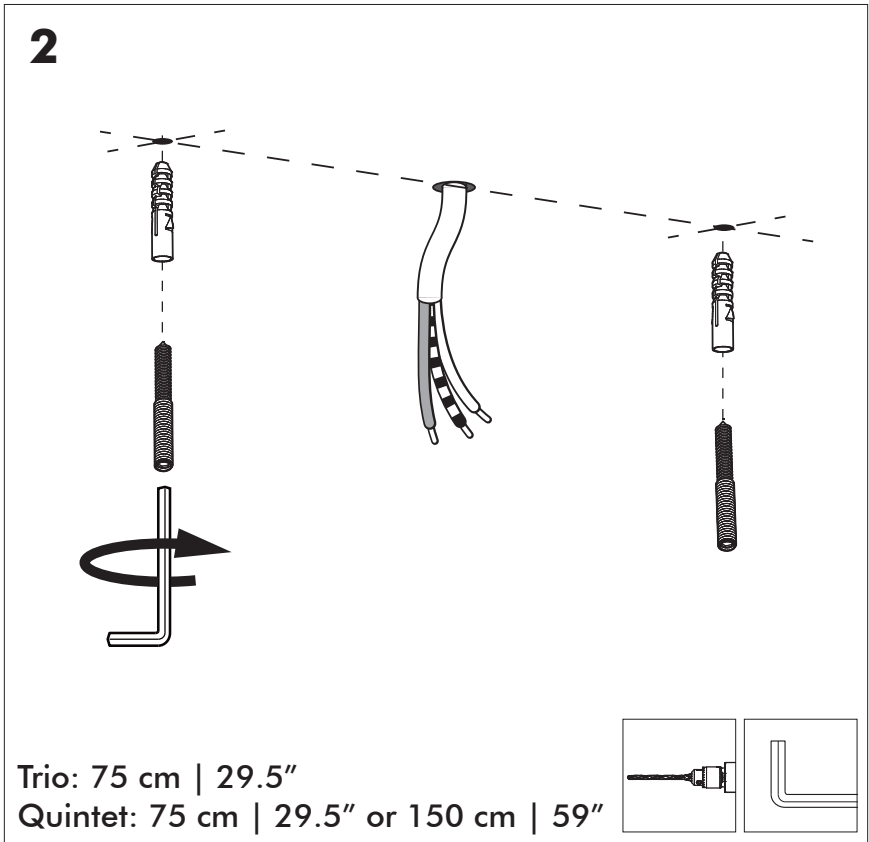
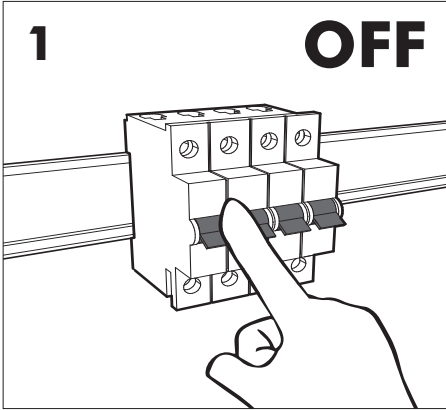


!



# BuzziSol Trio | Quintet Type A

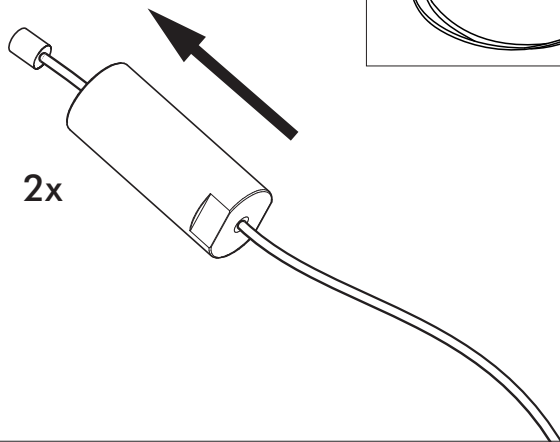
2 PERS. 



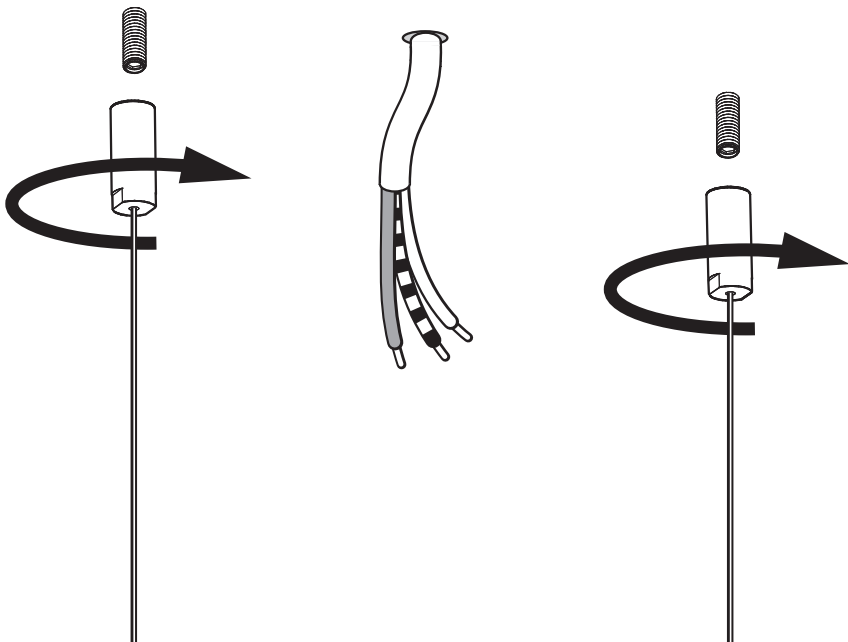
Trio: 75 cm | 29.5"

Quintet: 75 cm | 29.5" or 150 cm | 59"

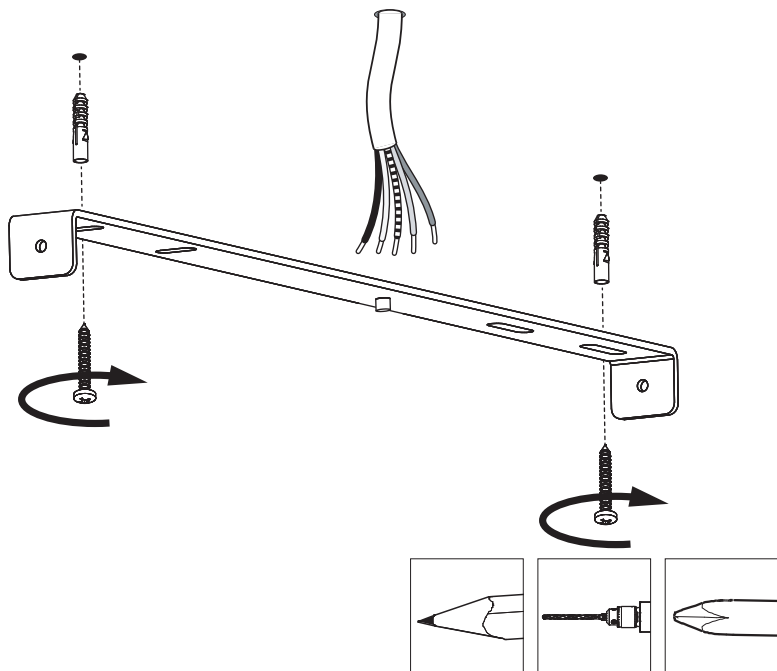
**3**



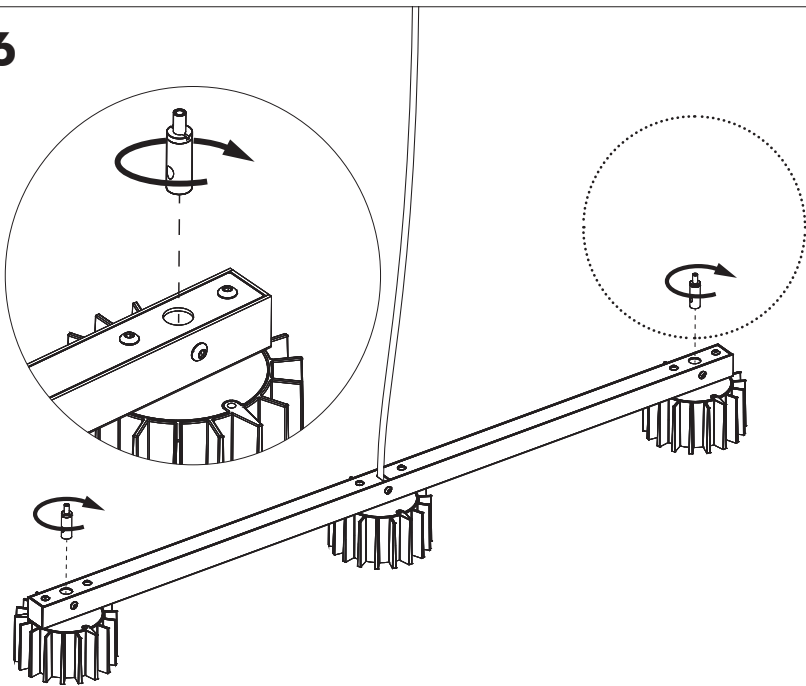
**4**



5

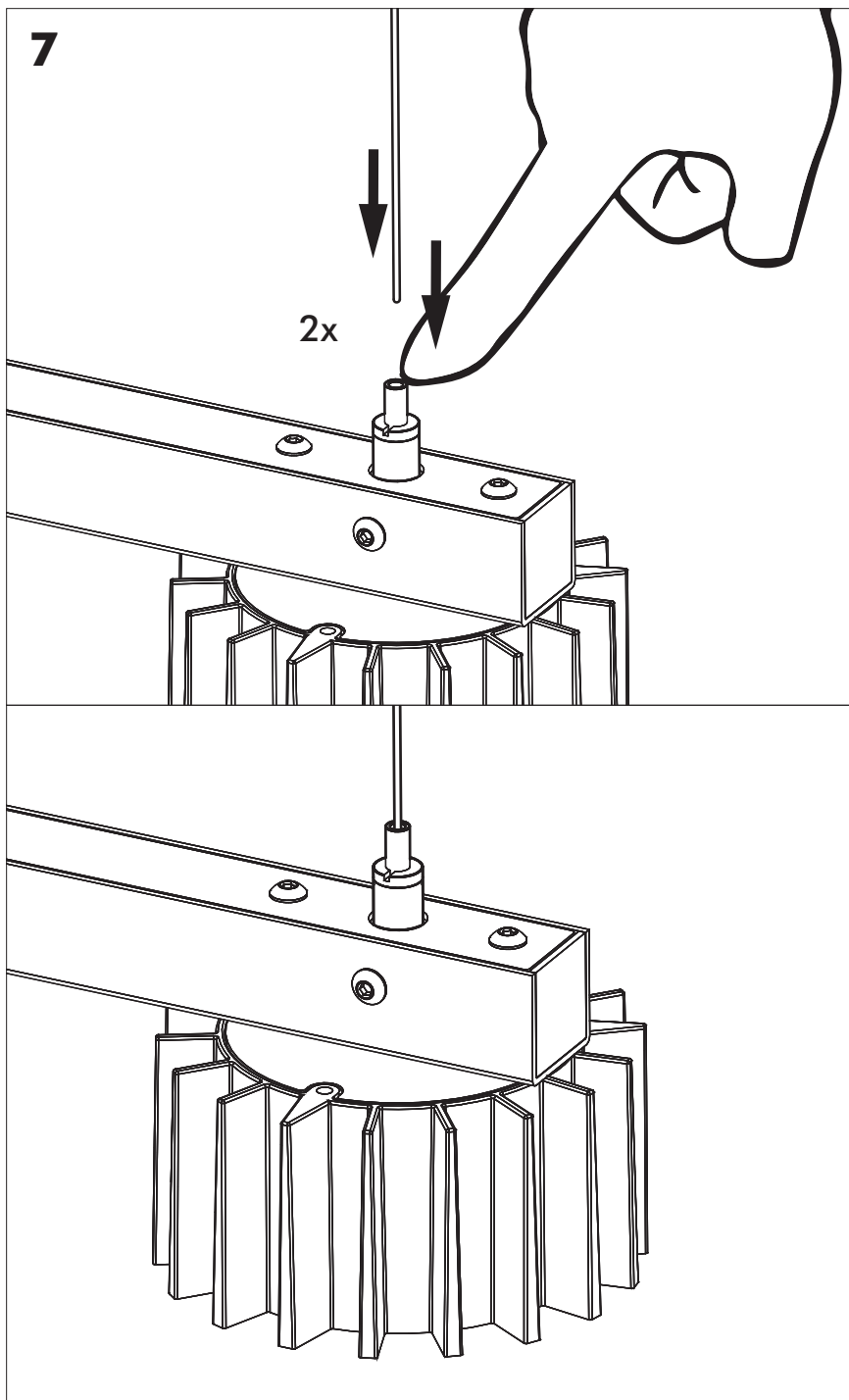


6

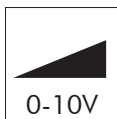




7



# 8a



0-10V



DALI



DMX



DST

Connection including dimmable function

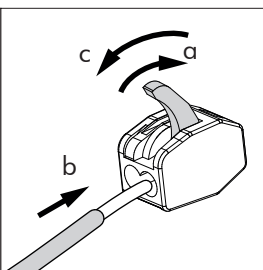


Dim+

Dim-

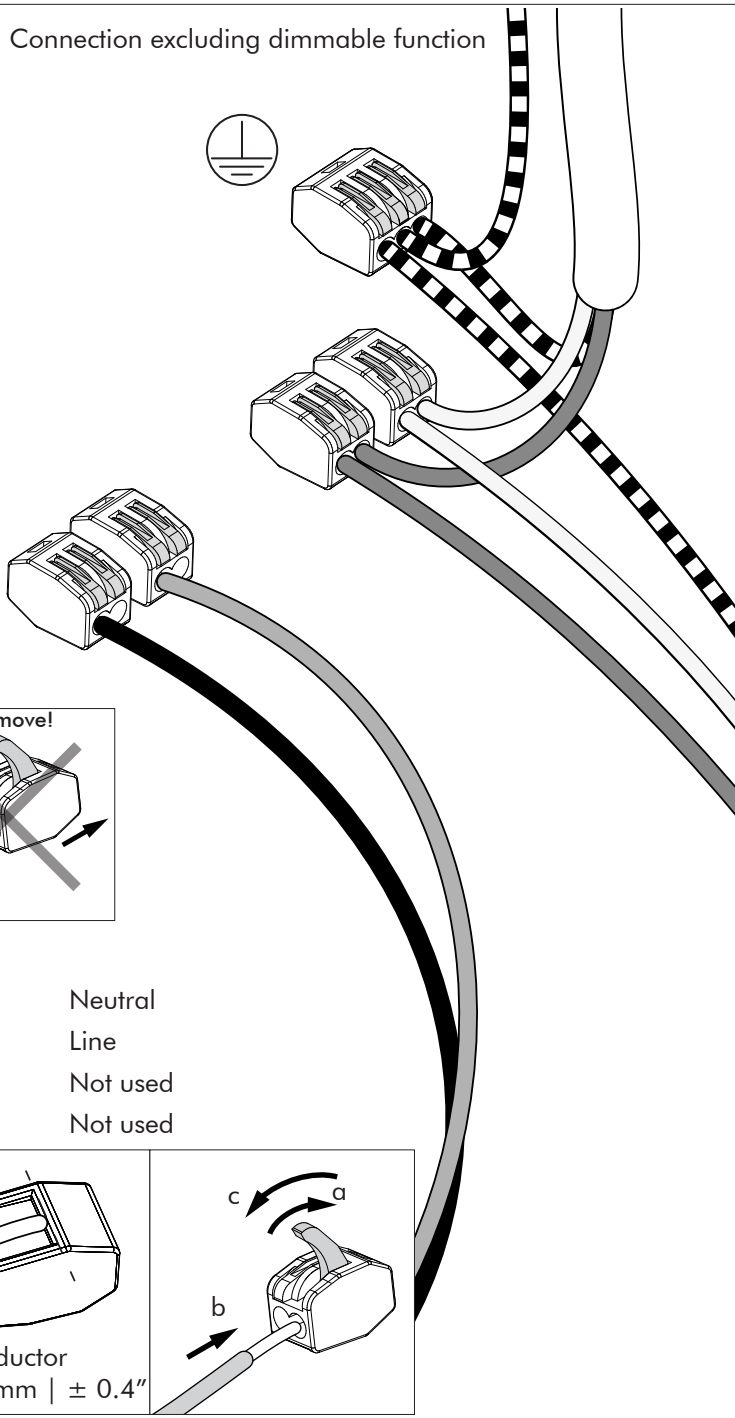
Blue	Neutral
Brown	Line
Red	DIM +
Black	DIM -

Strip conductor  
to  $\pm 10\text{ mm}$  |  $\pm 0.4''$

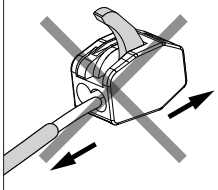


# 8b

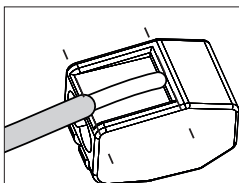
## Connection excluding dimmable function



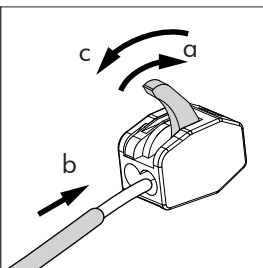
Do not remove!



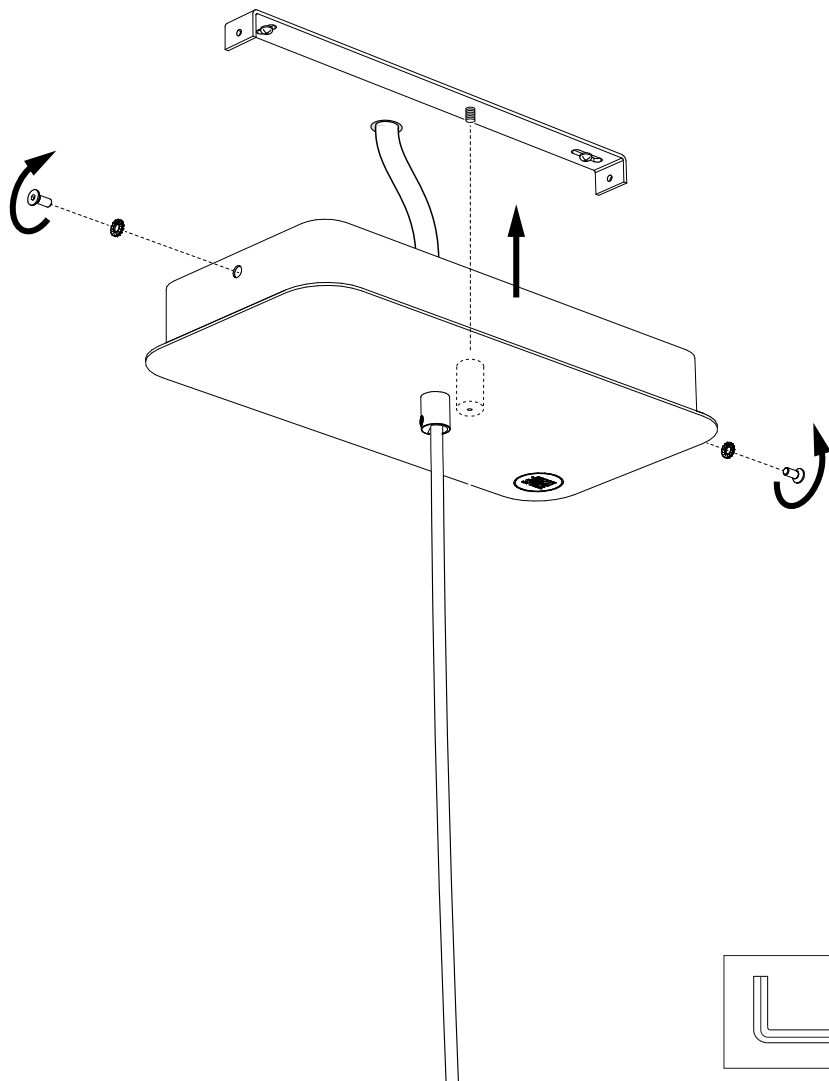
Blue	Neutral
Brown	Line
Red	Not used
Black	Not used



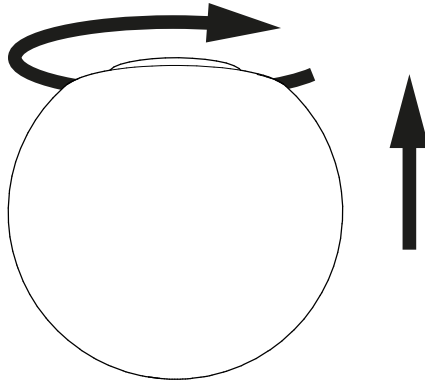
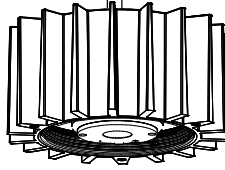
Strip conductor  
to  $\pm 10 \text{ mm}$  |  $\pm 0.4''$



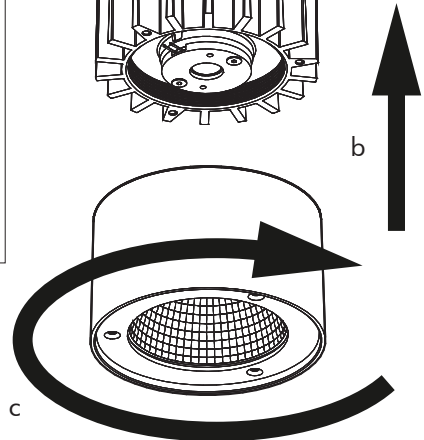
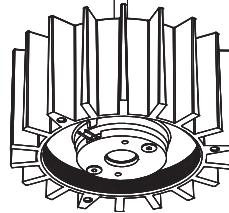
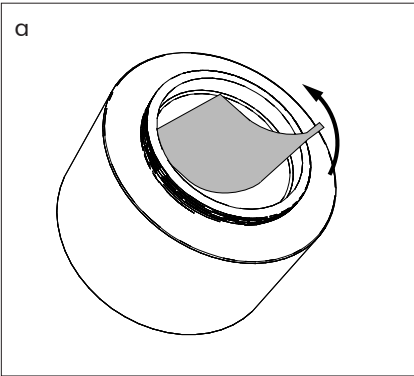
9



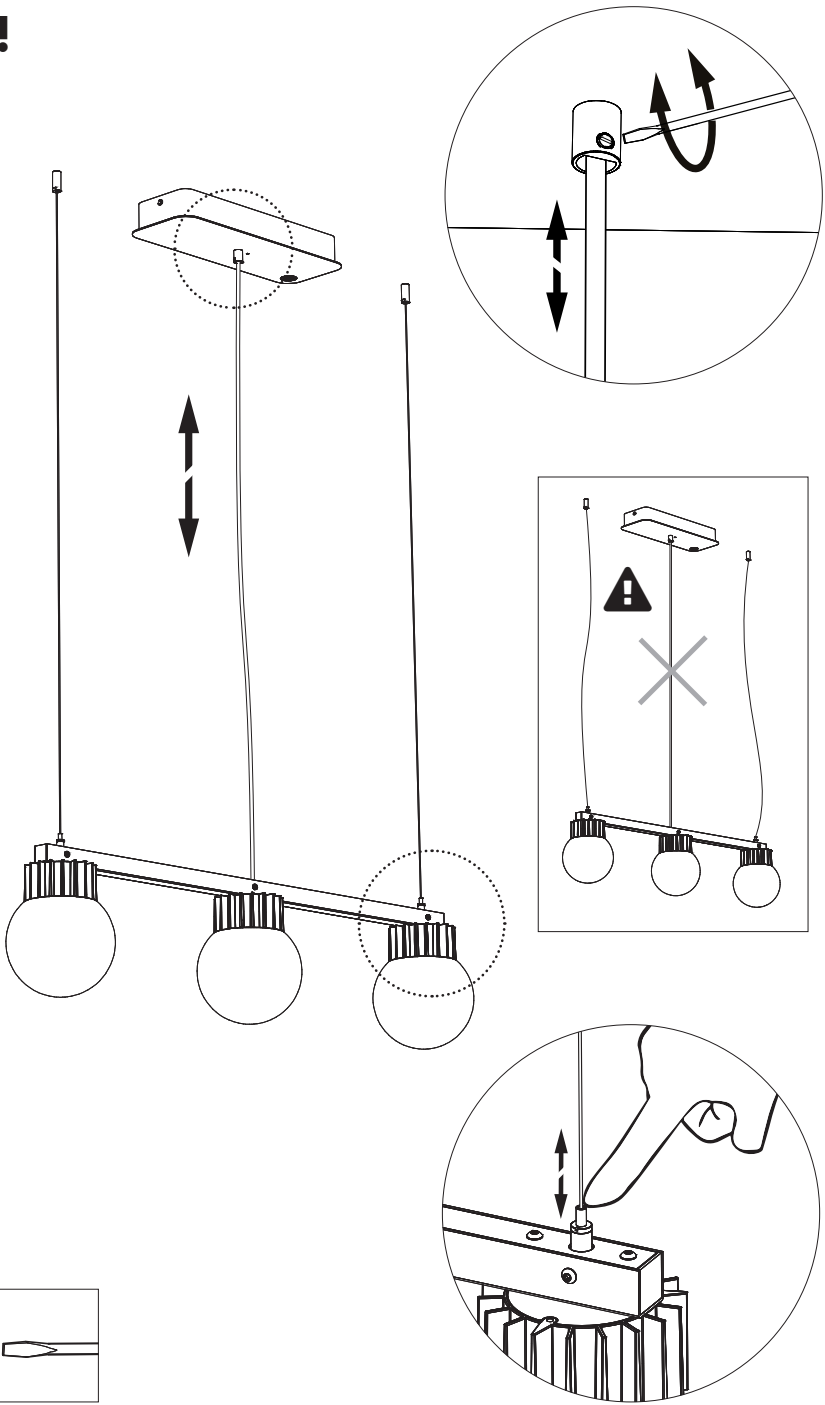
# 10 BuzziSol Globe



# 11 BuzziSol Spot

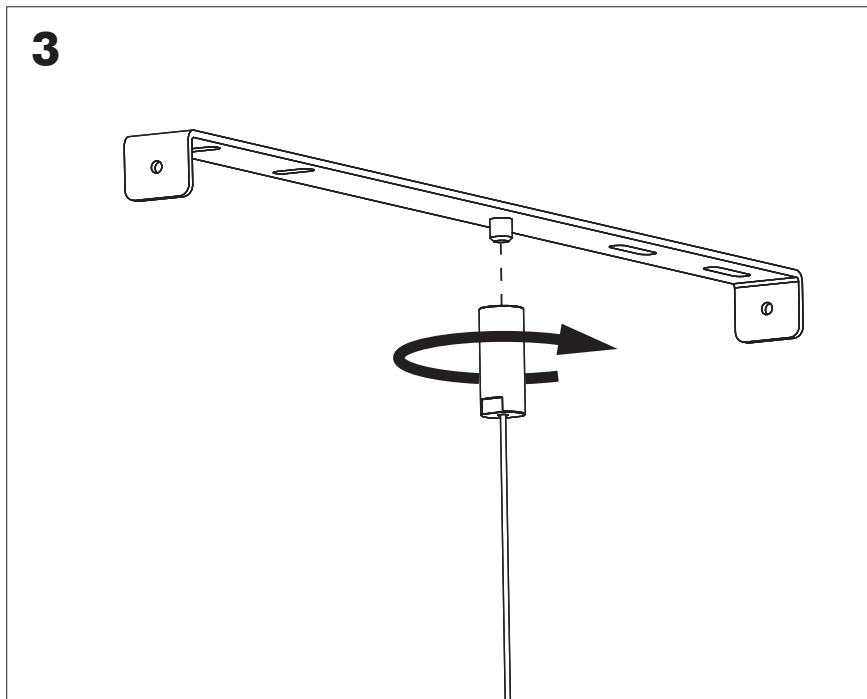
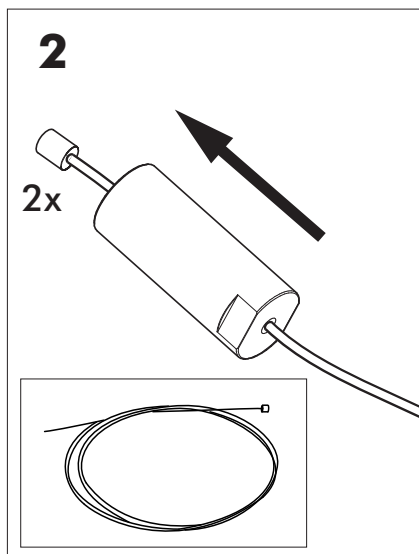
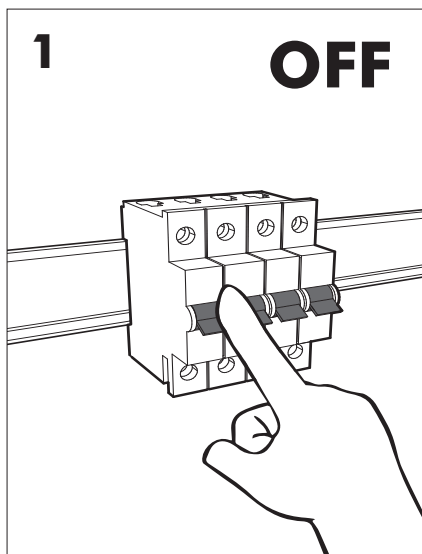


!

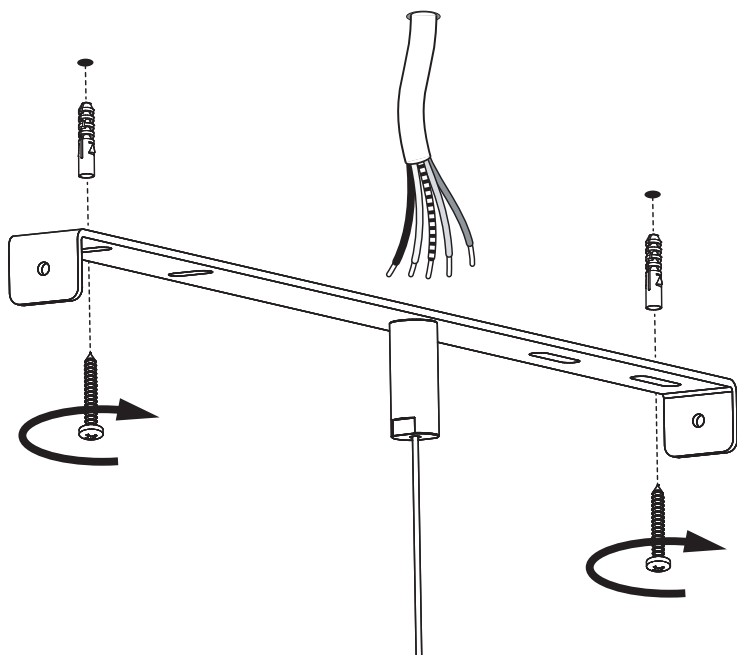


# BuzziSol Trio | Quintet Type B

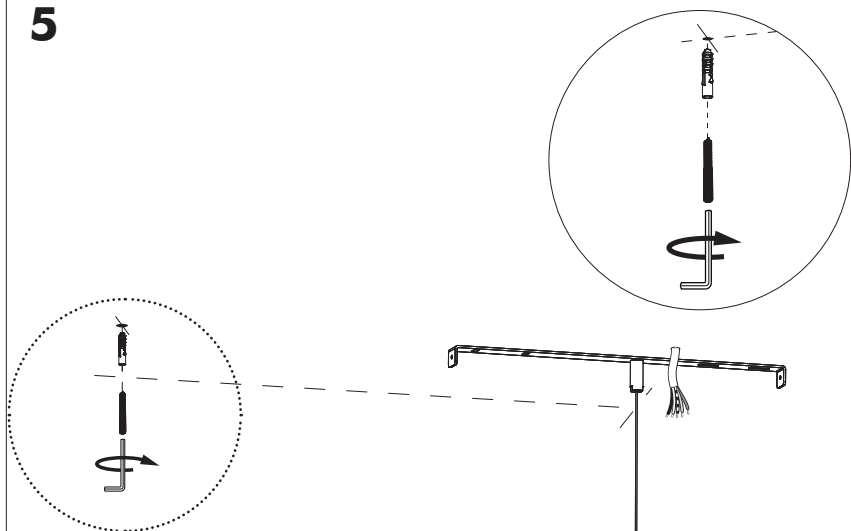
2 PERS. 



**4**

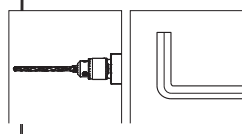


**5**



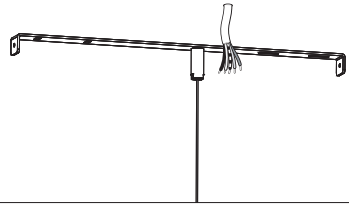
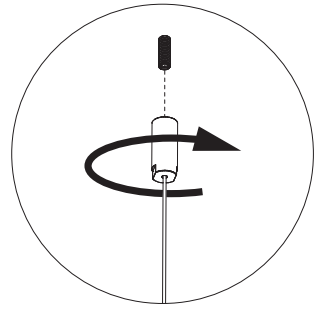
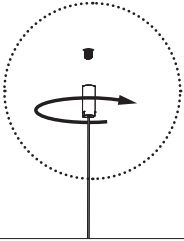
Trio: 75 cm | 29.5"

Quintet: 75 cm | 29.5" or 150 cm | 59"

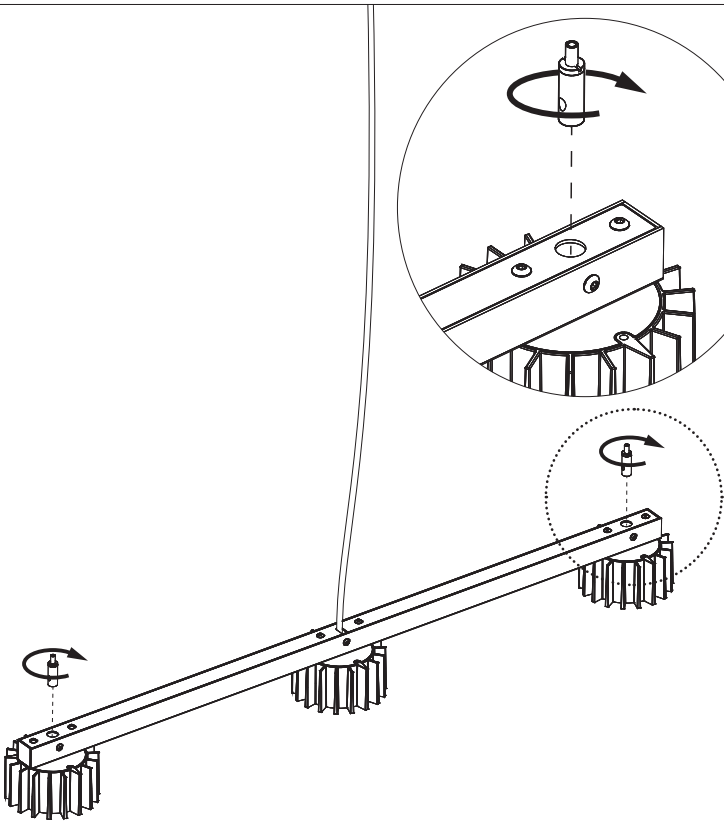




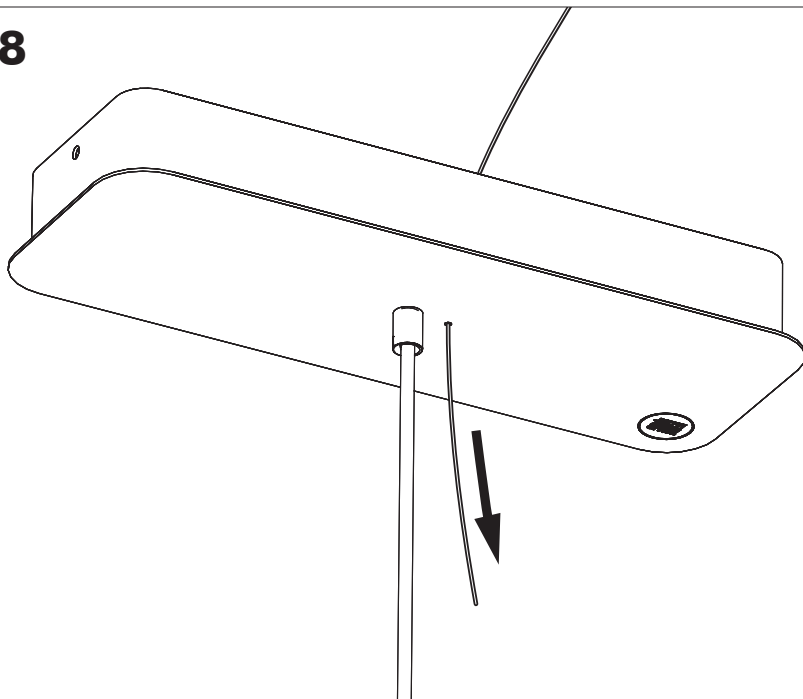
6



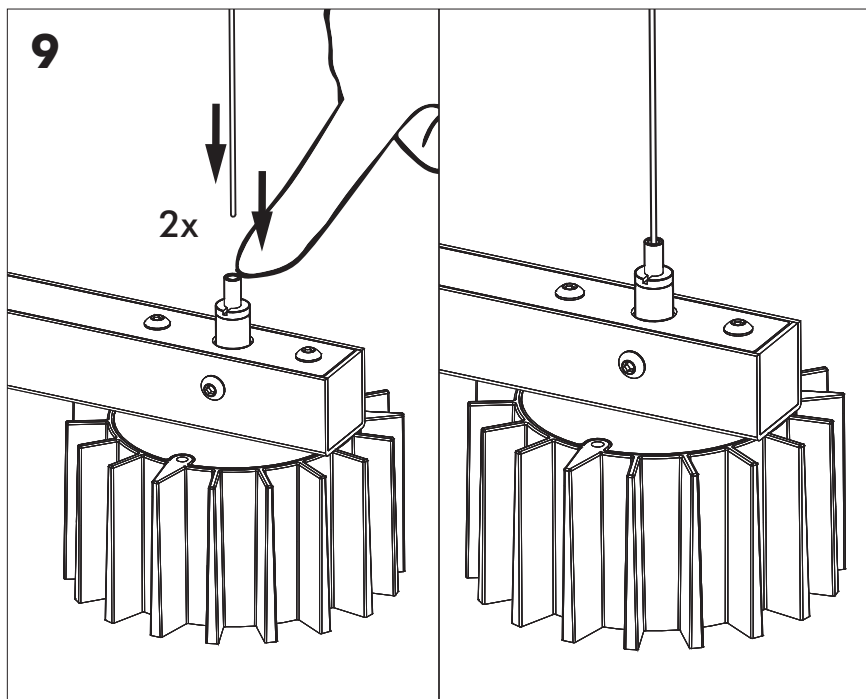
7



8



9



# 10a



0-10V



DALI



DMX



DST

Connection including dimmable function

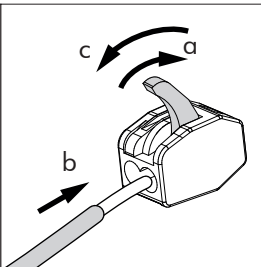


Dim+

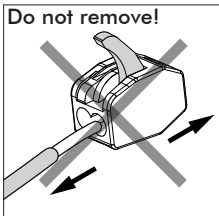
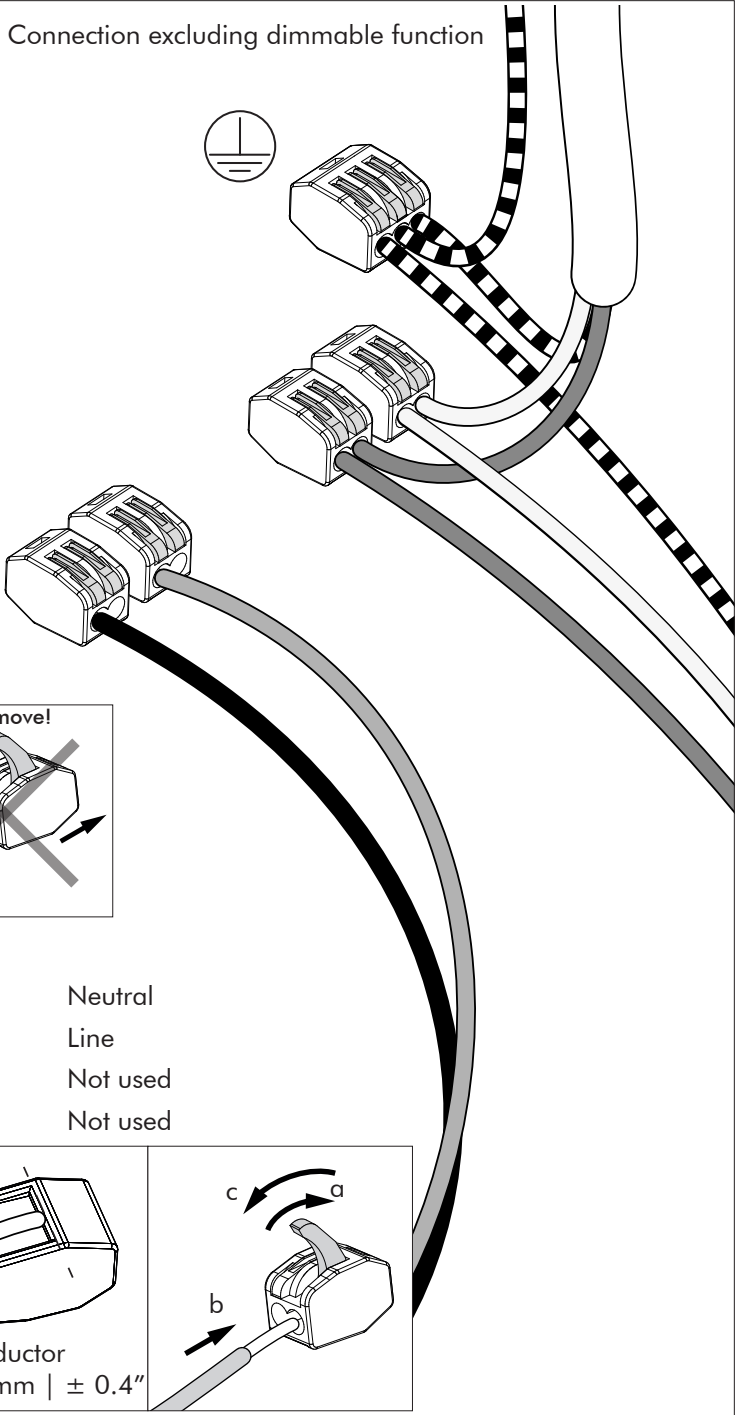
Dim-

- |       |         |
|-------|---------|
| Blue  | Neutral |
| Brown | Line    |
| Red   | DIM +   |
| Black | DIM -   |

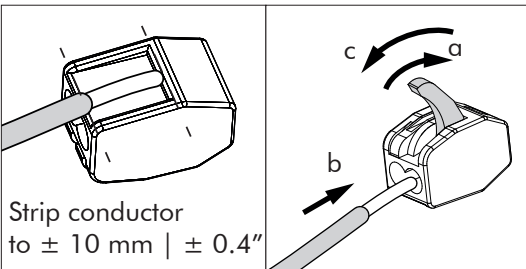
Strip conductor  
to  $\pm 10 \text{ mm}$  |  $\pm 0.4''$



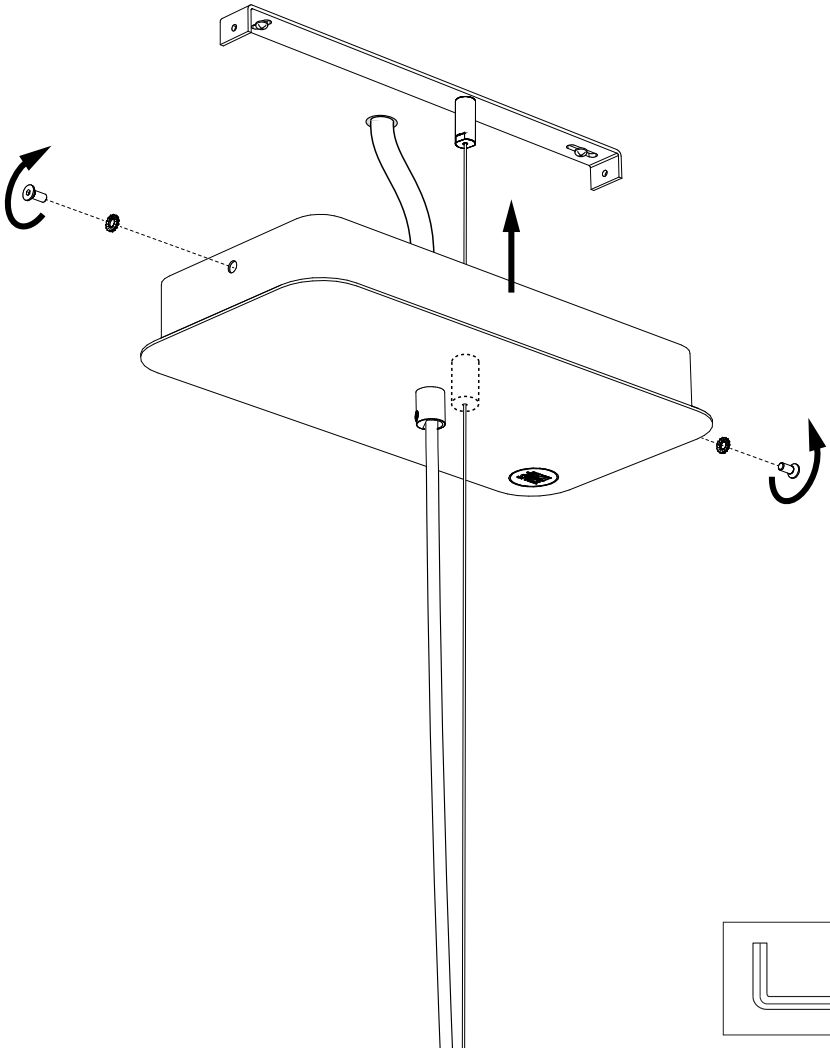
# 10b Connection excluding dimmable function



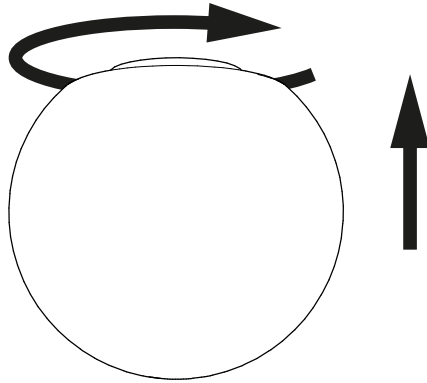
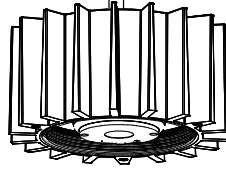
- |       |          |
|-------|----------|
| Blue  | Neutral  |
| Brown | Line     |
| Red   | Not used |
| Black | Not used |



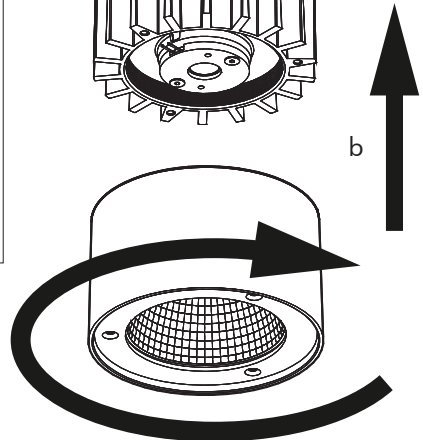
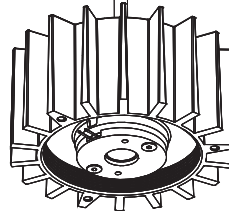
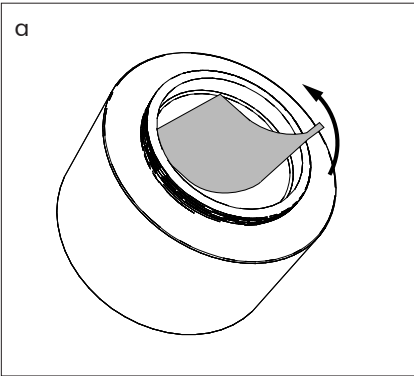
11



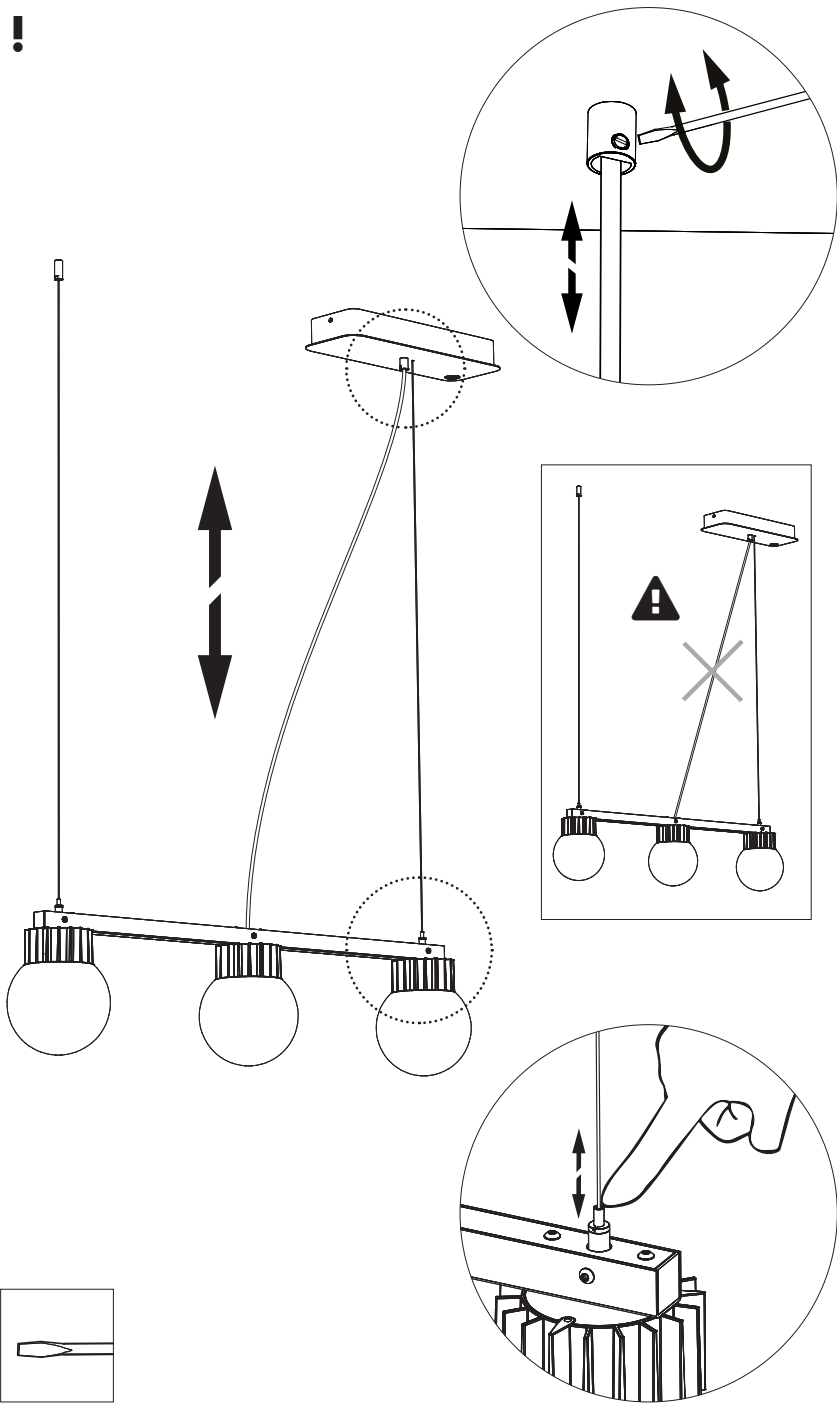
# 12 BuzziSol Globe



# 12 BuzziSol Spot



!



BuzziSpace Group NV  
Italiëlei 8, 2000 Antwerp  
Belgium

☎ +32 (0)3 846 10 00

✉ [info@buzzi.space](mailto:info@buzzi.space)

🌐 [www.buzzi.space](http://www.buzzi.space)



A-0000007367/01

Last update: 08/12/2023