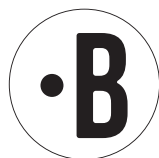
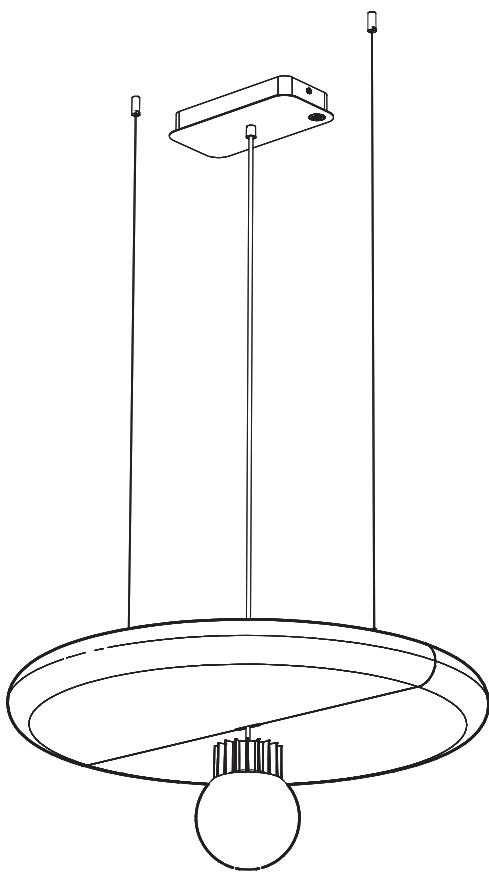


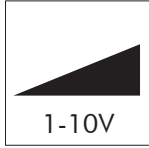
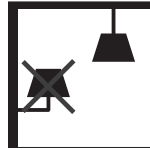
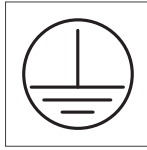
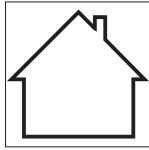
# BuzziSurf

INSTALLATION MANUAL

220-240V



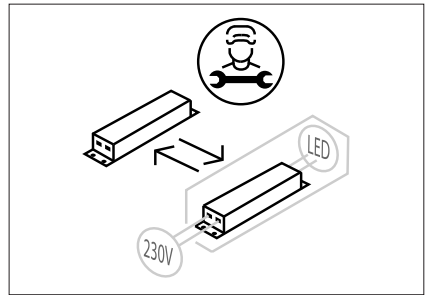
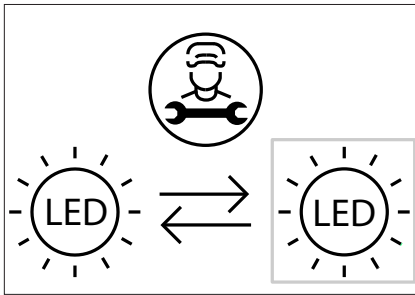
## Technical info



Power factor > 0.8;  
Input current: Max 0.35Amp

## Environmental Protection

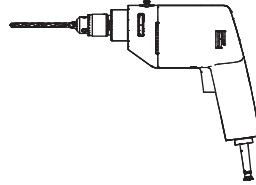
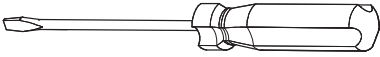
Waste electrical products should not be disposed of with household waste. Please recycle where facilities exist. Check with your Local Authority or retailer for recycling advice.



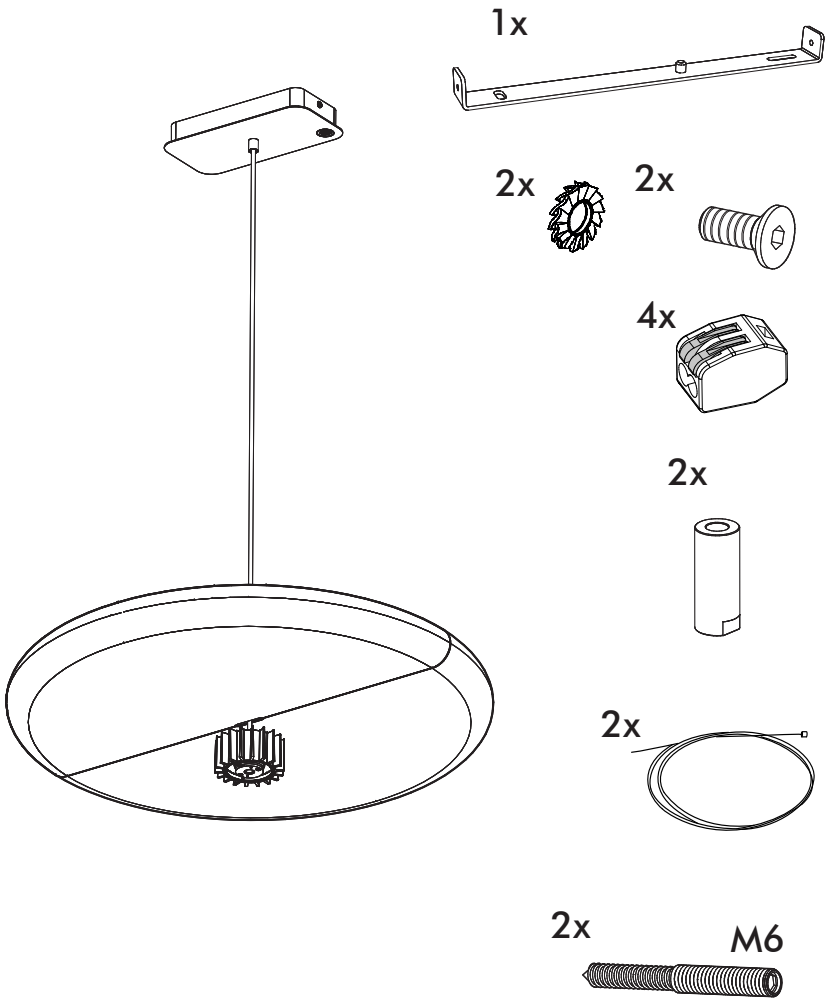
- ⚠** The light source of this luminaire is not replaceable. When the light source reaches its end of life the whole luminaire shall be replaced.

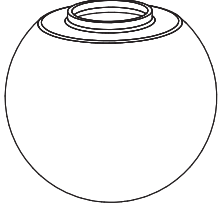

# Excluded

---

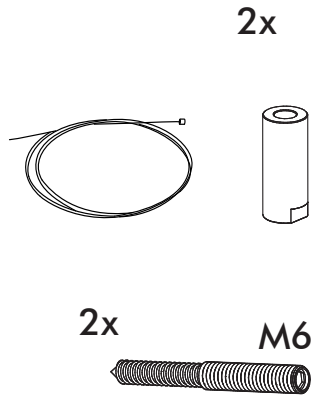
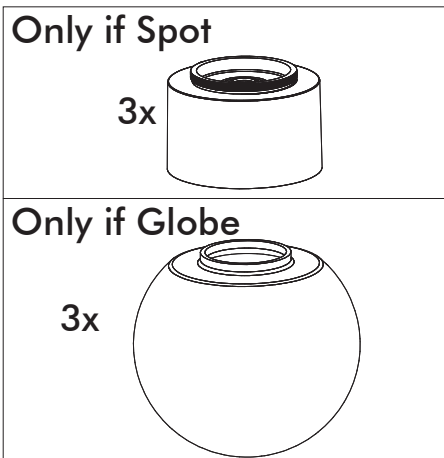
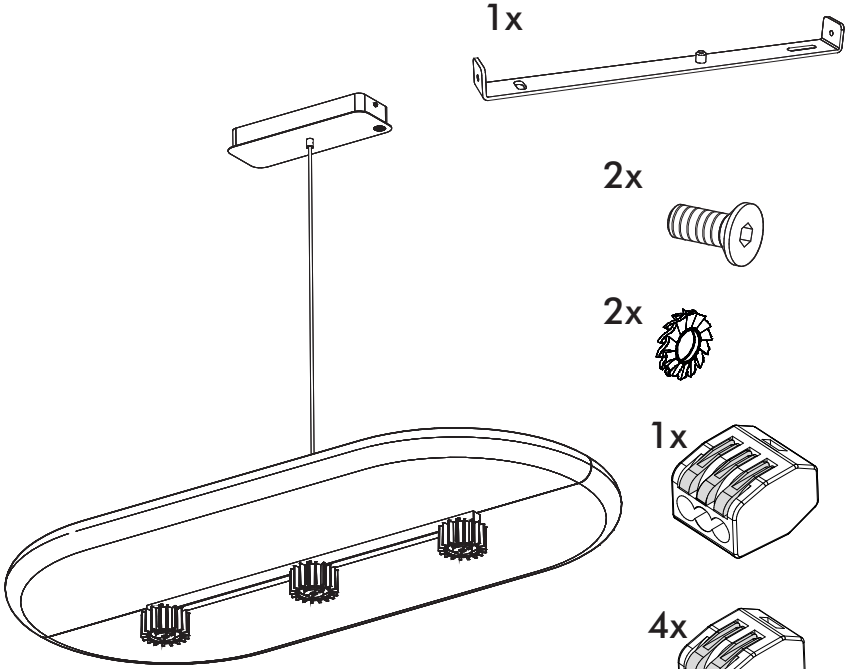


# Included BuzziSurf Small Globe | Spot

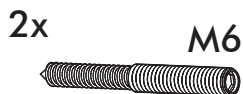
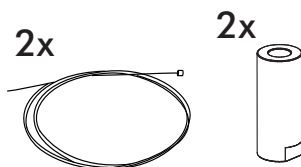
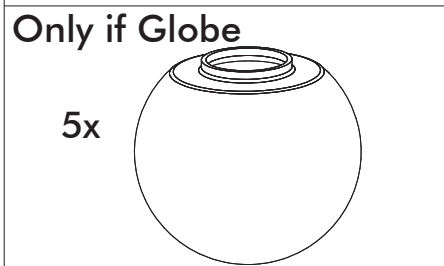
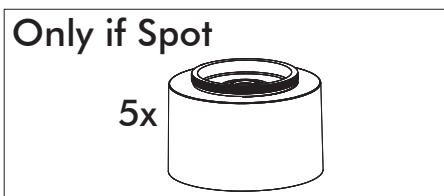
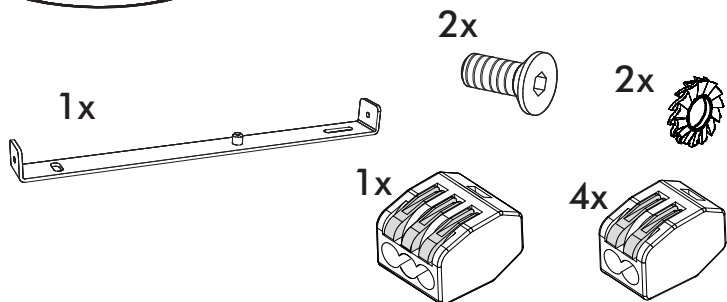
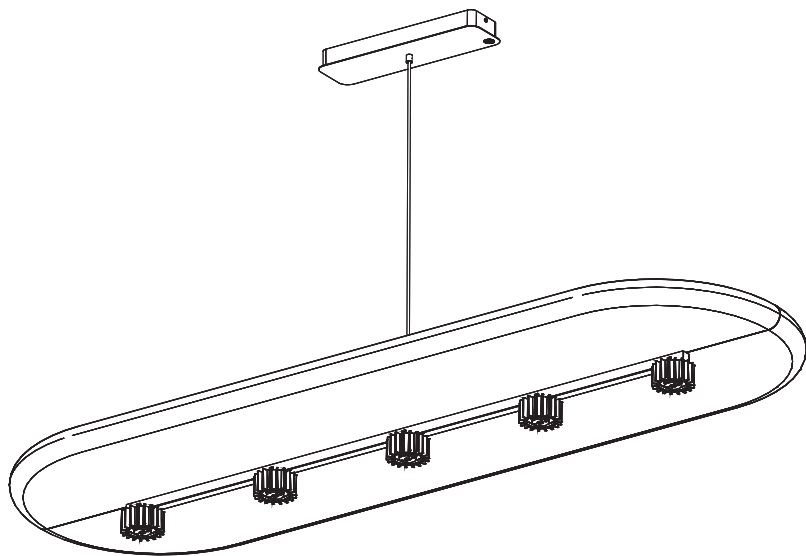


<p>Only if Globe</p> <p>1x</p> 	<p>Only if Spot</p> <p>1x</p> 
--	---

# Included BuzziSurf Medium Globe | Spot

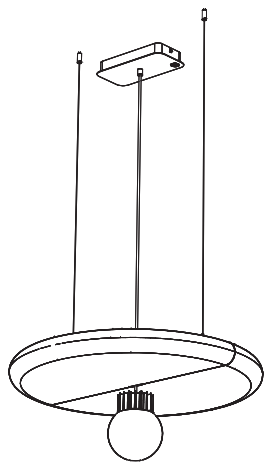


# Included BuzziSurf Large Globe | Spot



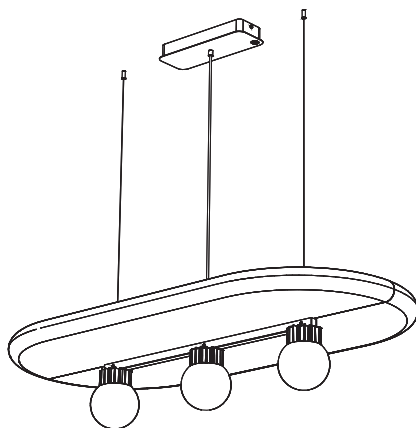
**BuzziSurf Small**

**P.8**



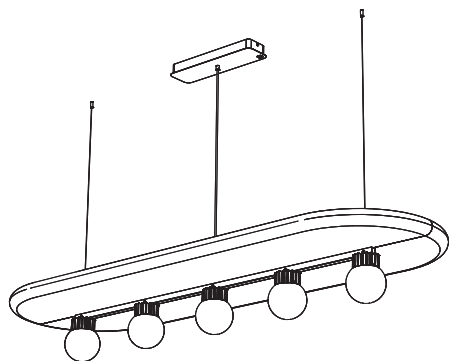
**BuzziSurf Medium**

**P.16**



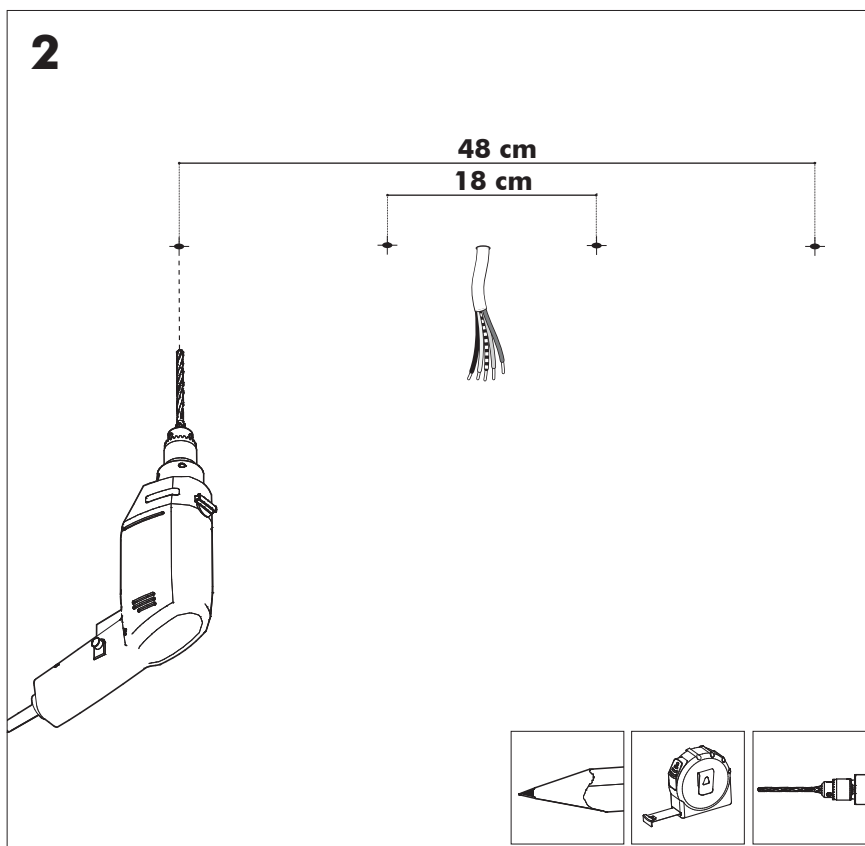
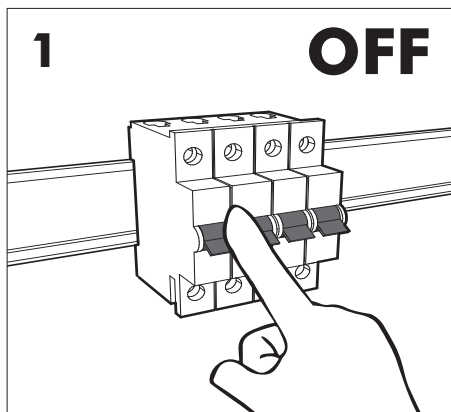
**BuzziSurf Large**

**P.16**

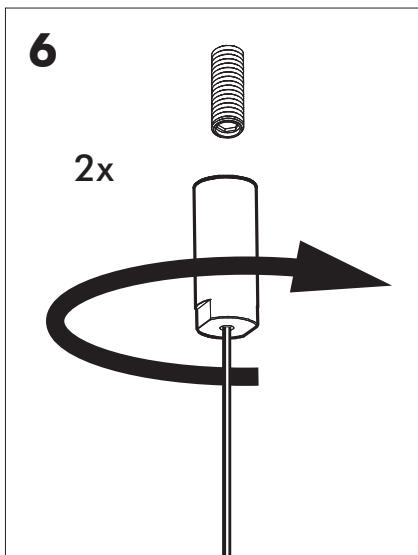
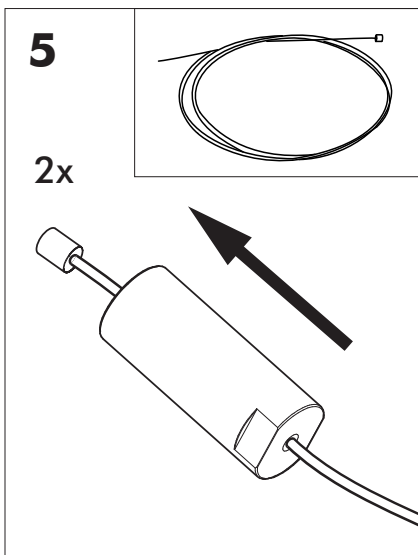
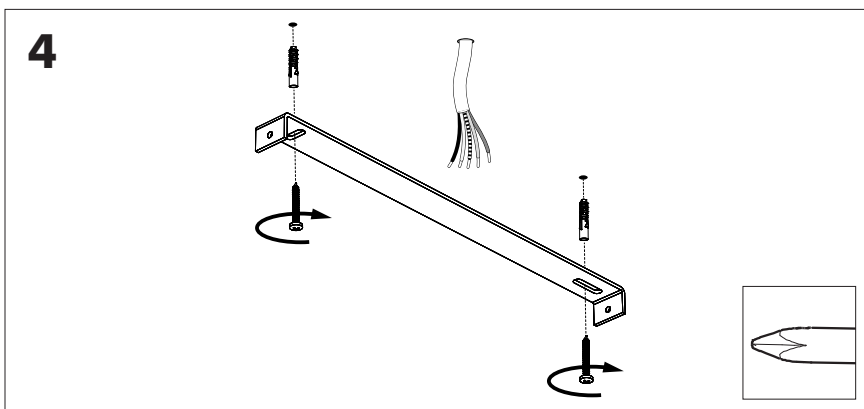
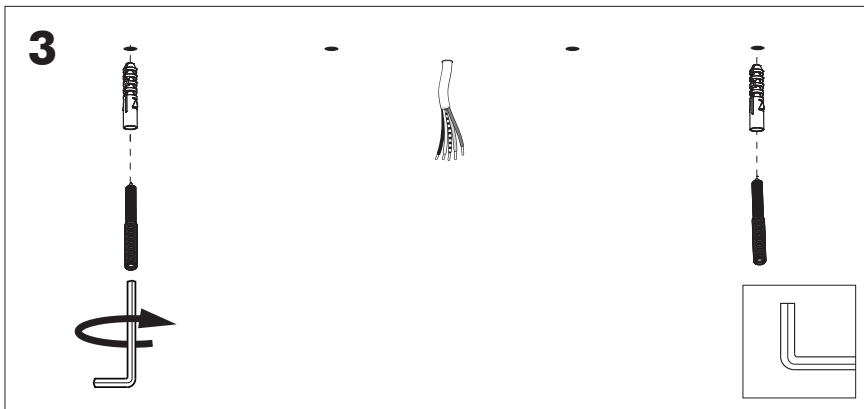


# BuzziSurf Small

2 PERS. 

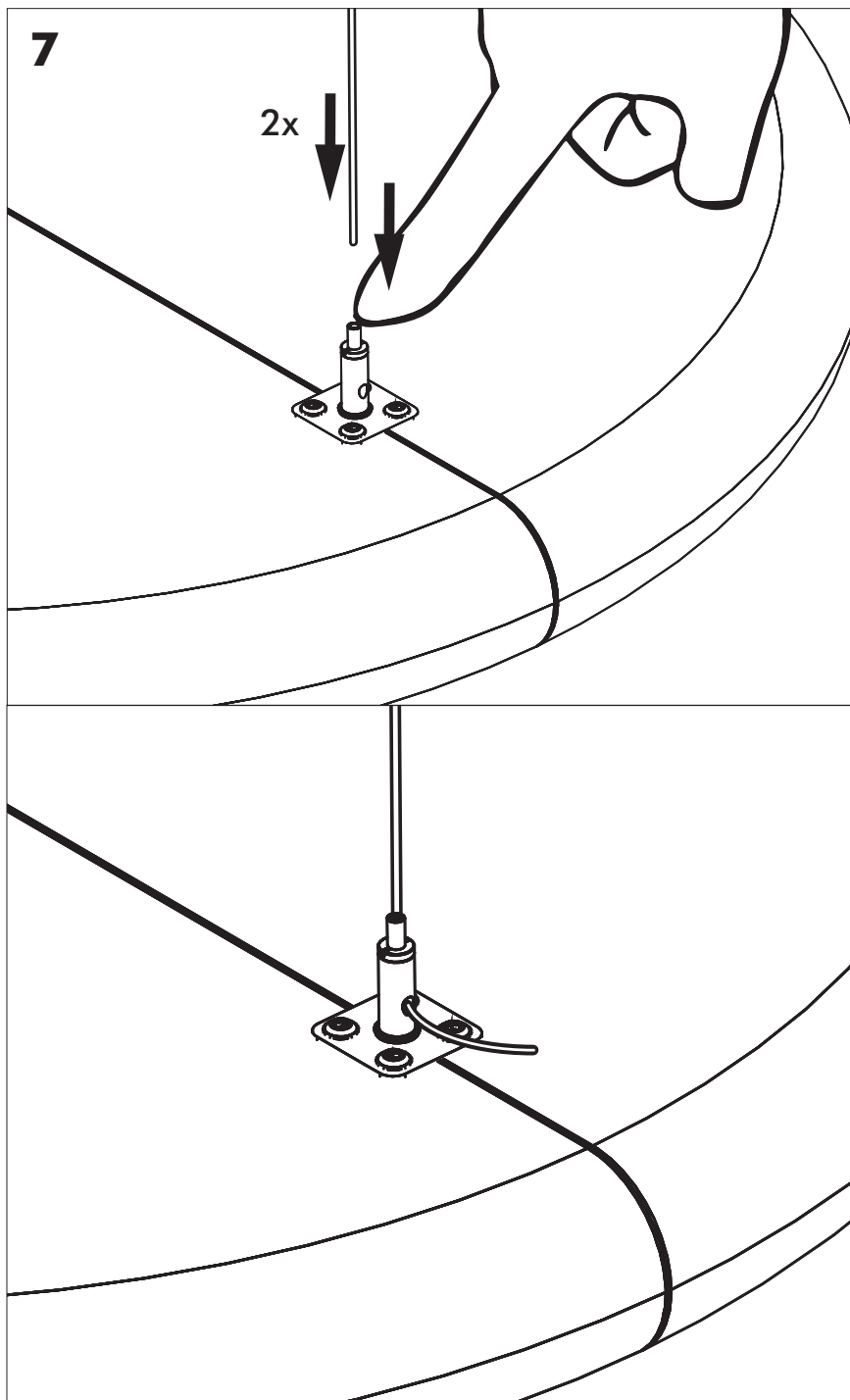




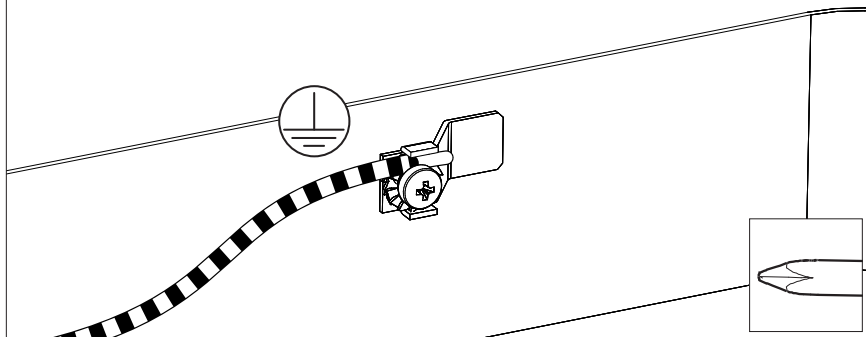


7

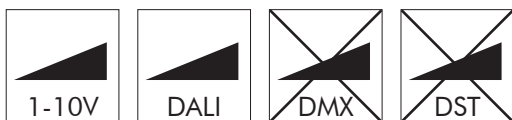
2x



8



9a

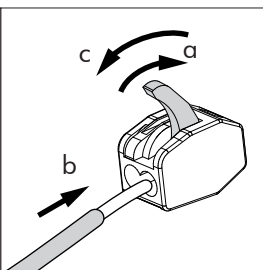
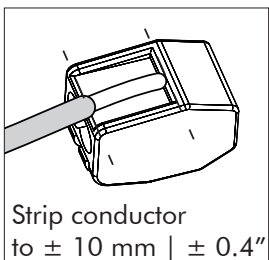


Connection including dimmable function



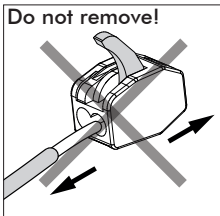
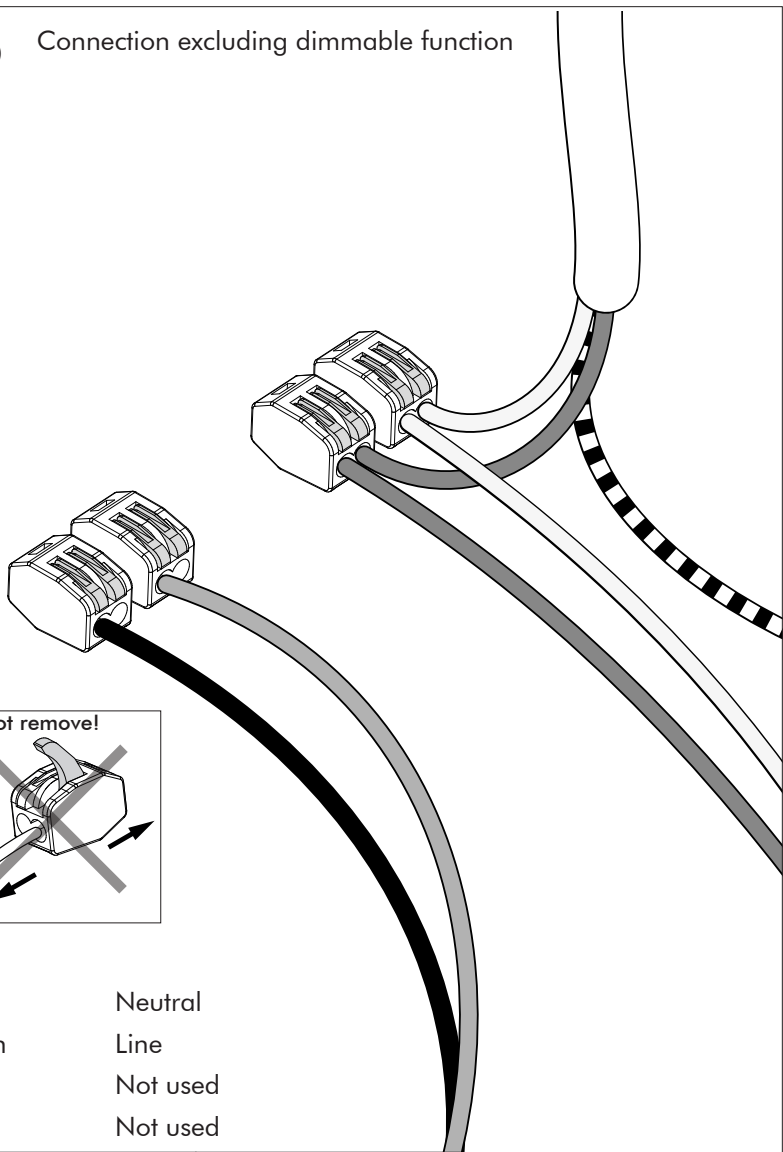
Dim-

Blue	Neutral
Brown	Line
Red	DIM +
Black	DIM -

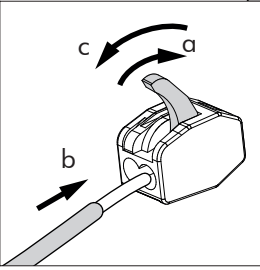
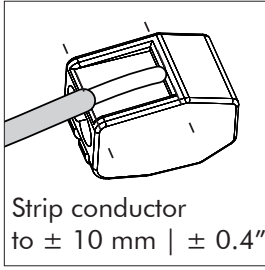


# 9b

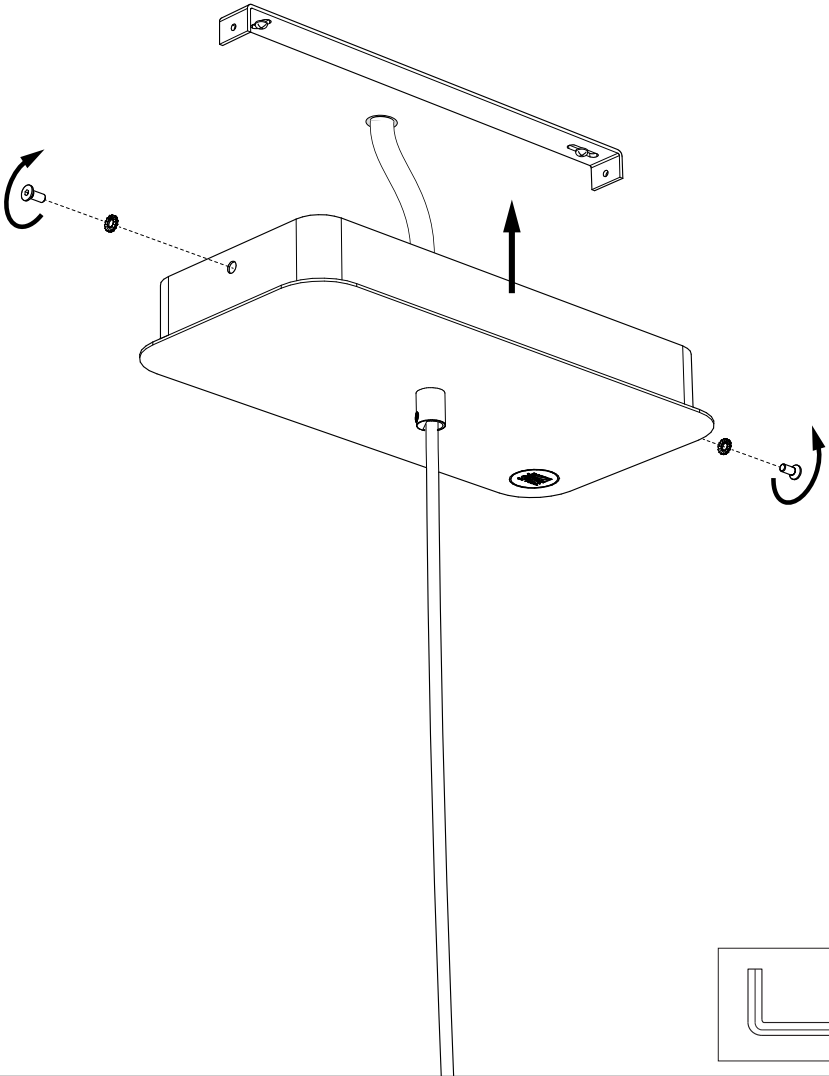
## Connection excluding dimmable function



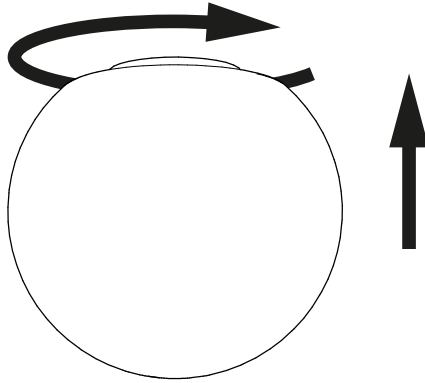
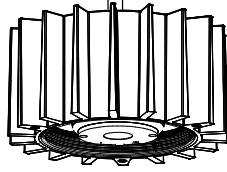
Blue	Neutral
Brown	Line
Red	Not used
Black	Not used



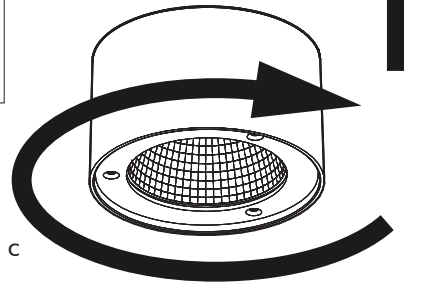
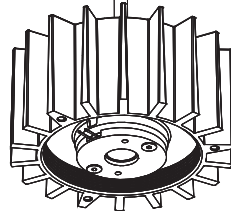
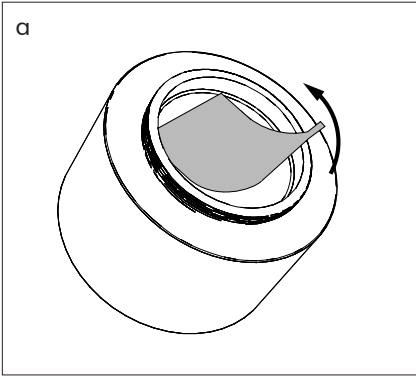
10



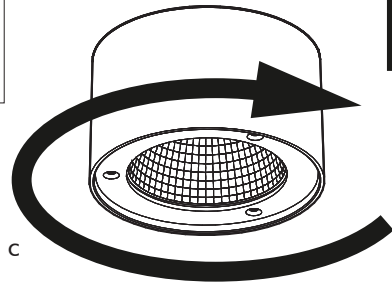
# 11 Globe

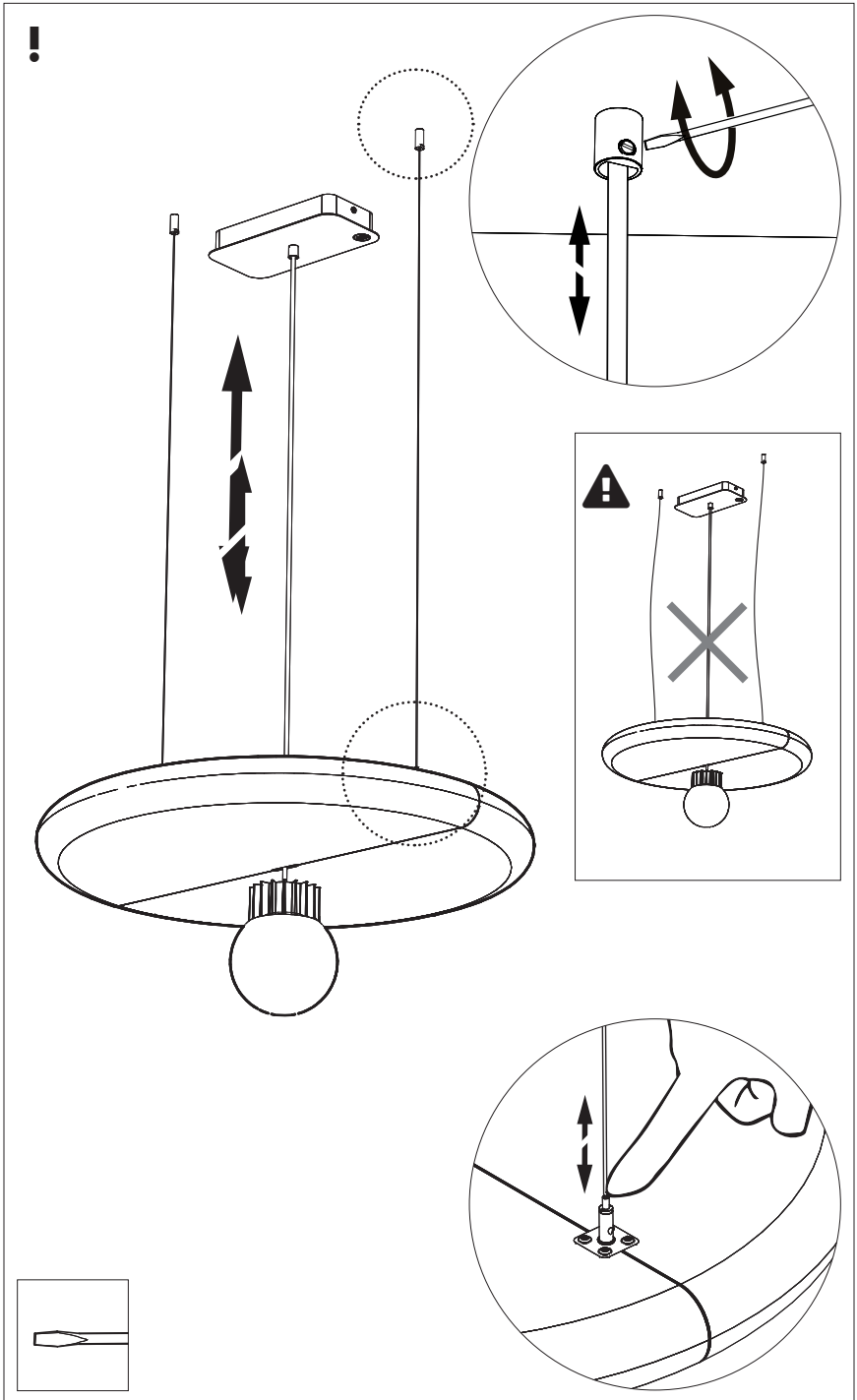


# 11 Spot



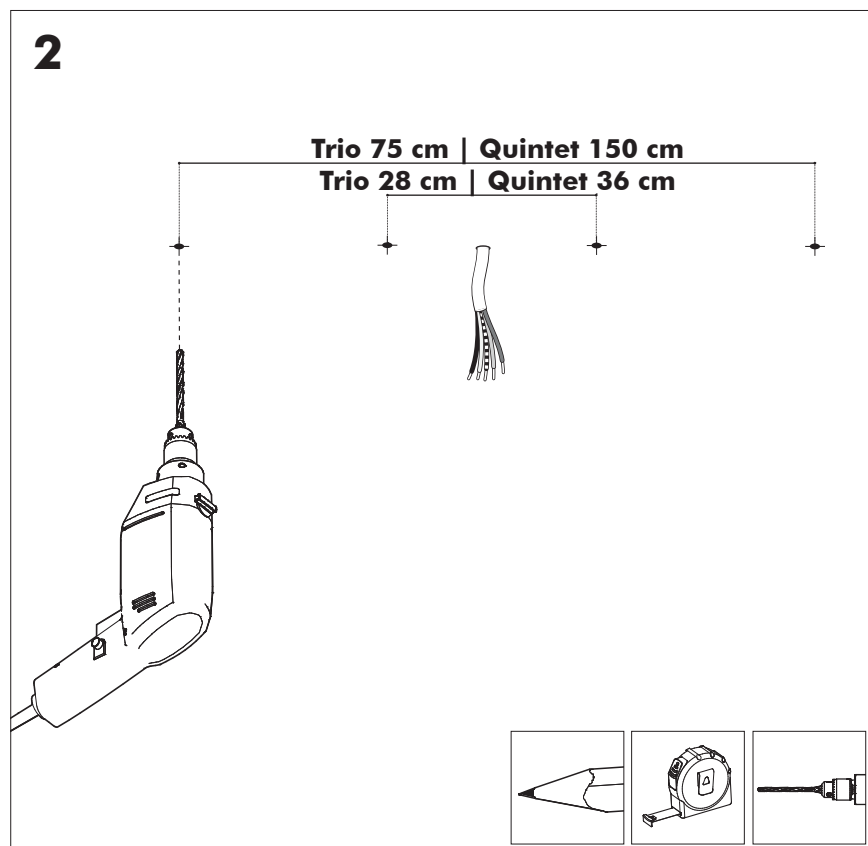
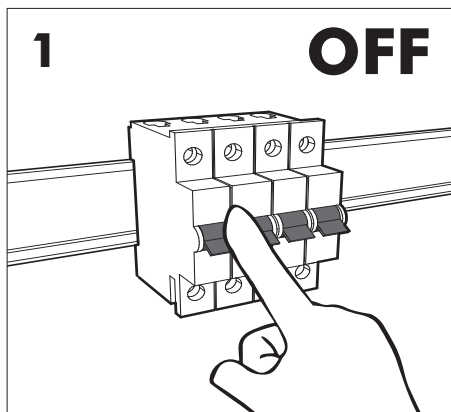
c





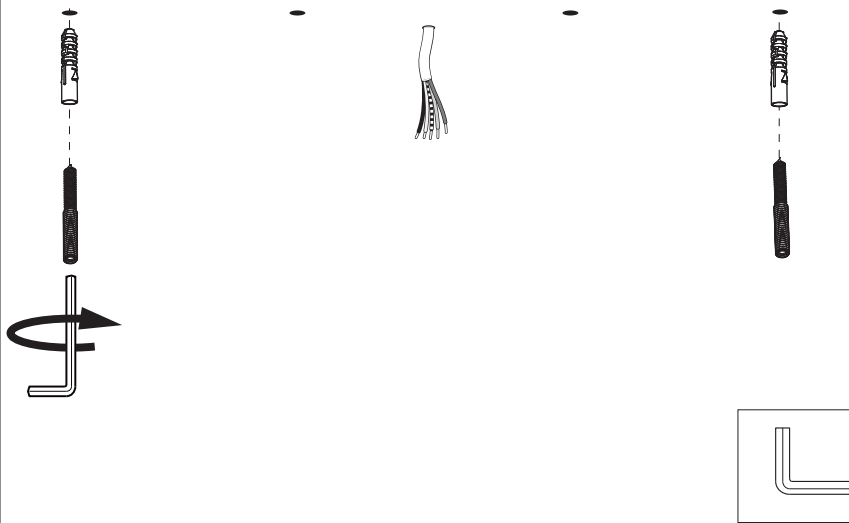
# BuzziSurf Medium | Large

2 PERS. 





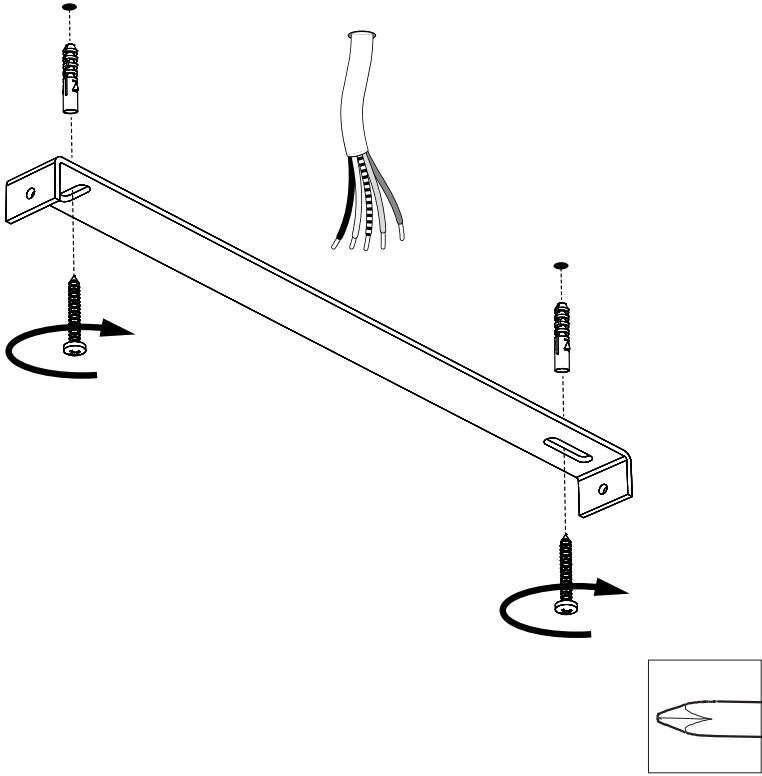
**3**



**4**

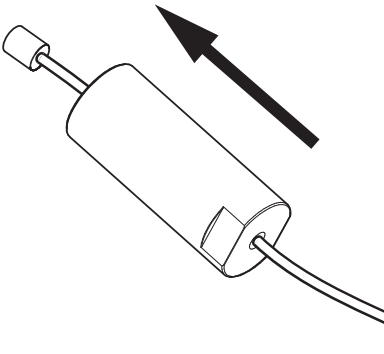
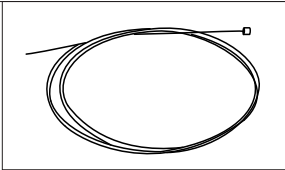


**5**



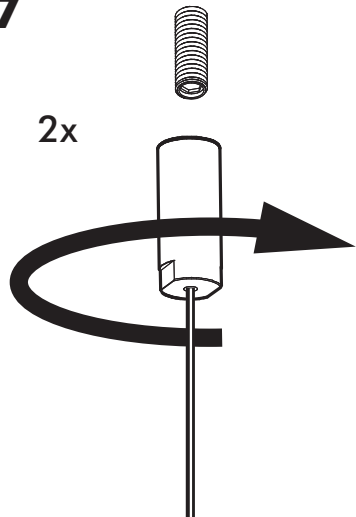
**6**

2x



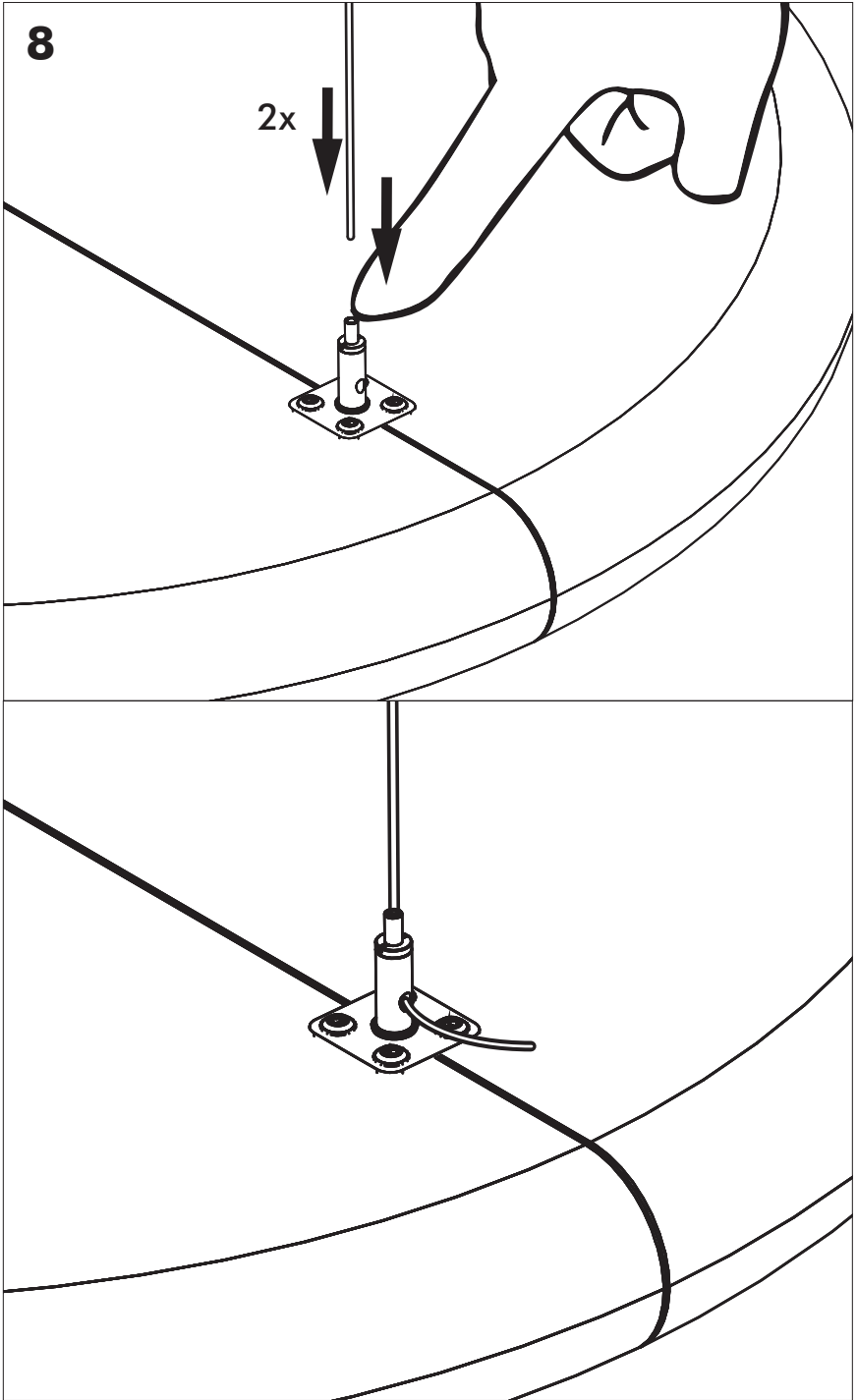
**7**

2x

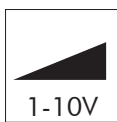


8

2x



9a



1-10V



DALI



DMX



DST

Connection including dimmable function

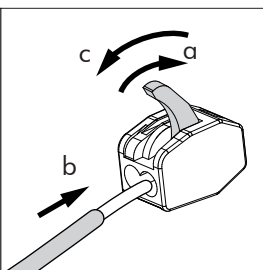


Dim+

Dim-

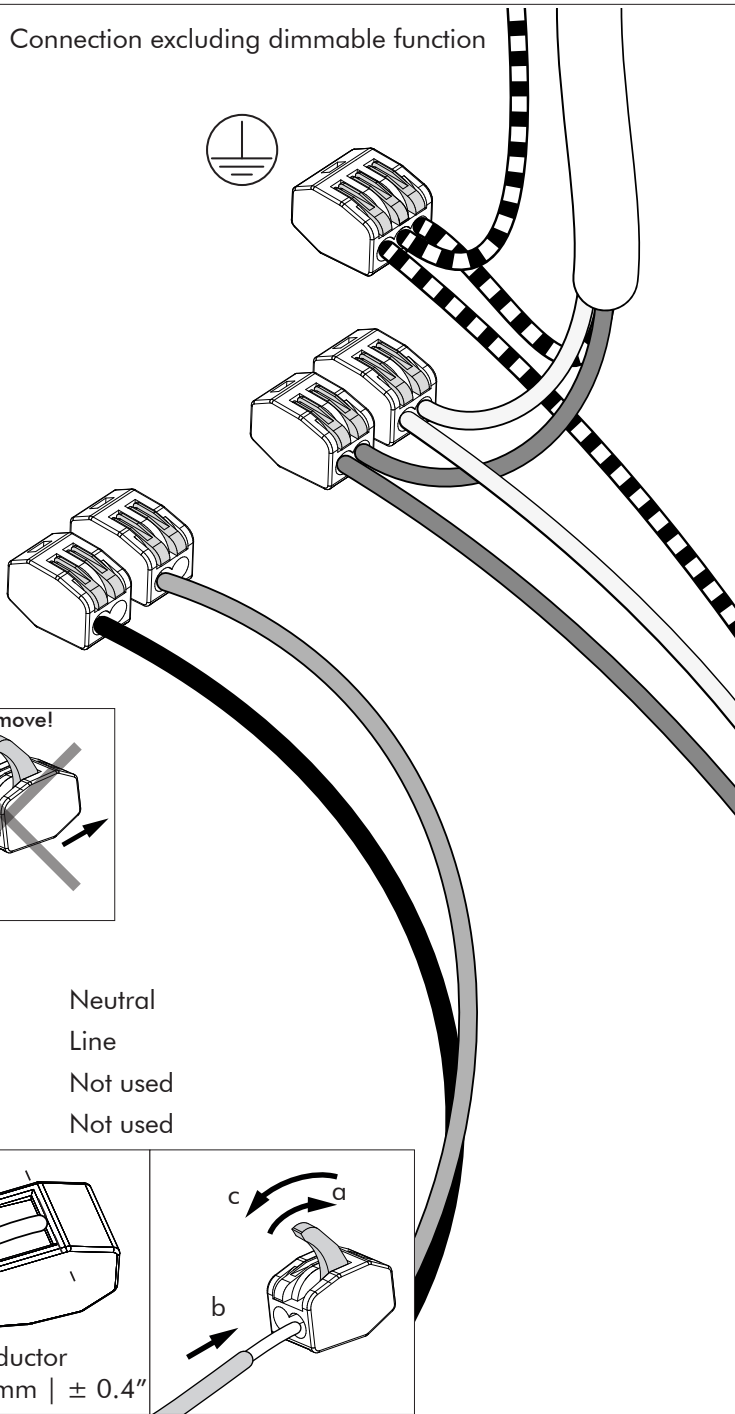
Blue	Neutral
Brown	Line
Red	DIM +
Black	DIM -

Strip conductor  
to  $\pm 10$  mm |  $\pm 0.4$ "

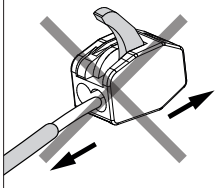


# 9b

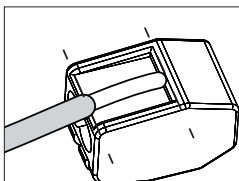
## Connection excluding dimmable function



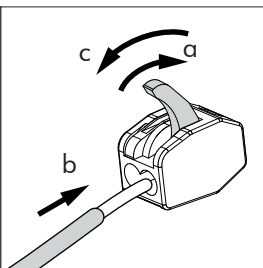
Do not remove!

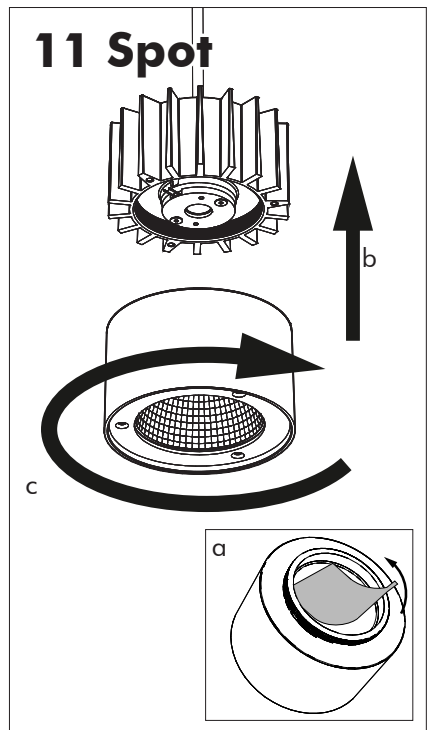
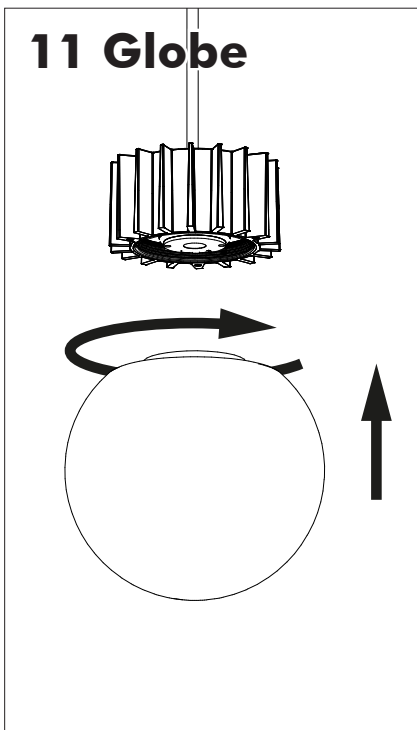
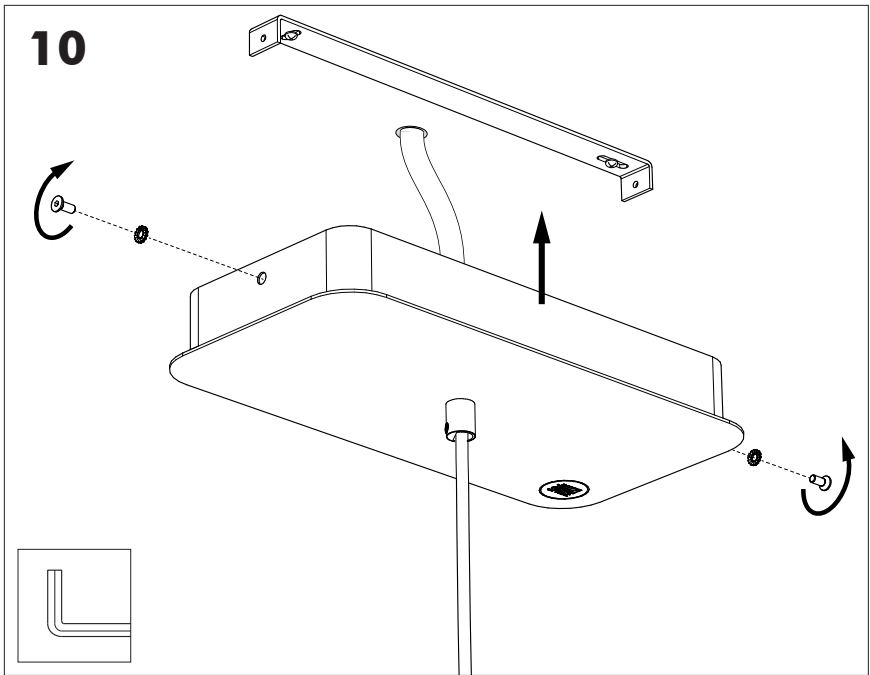


Blue	Neutral
Brown	Line
Red	Not used
Black	Not used

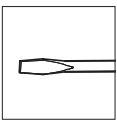
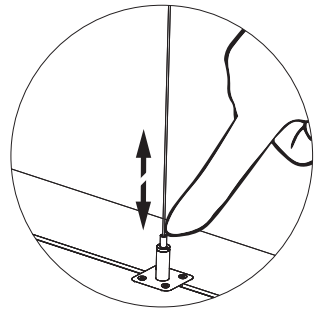
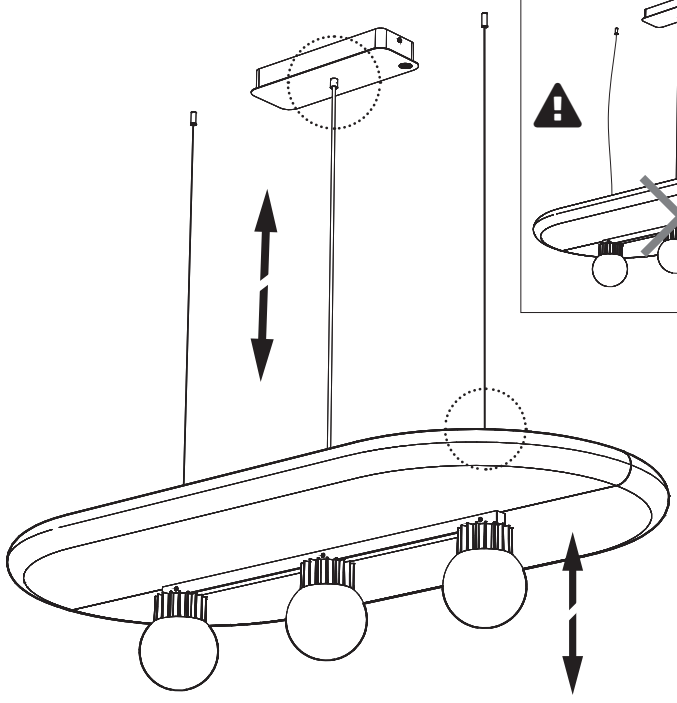
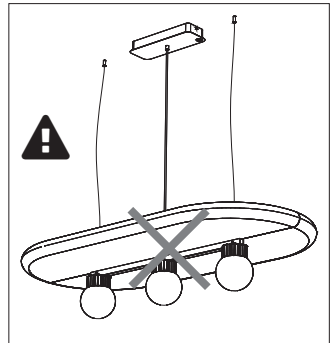
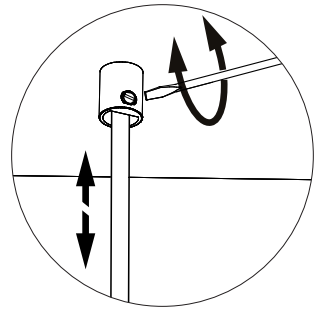


Strip conductor  
to  $\pm 10 \text{ mm}$  |  $\pm 0.4''$





!



BuzziSpace Group NV  
Italiëlei 8, 2000 Antwerp  
Belgium

☎ +32 (0)3 846 10 00

✉ [info@buzzi.space](mailto:info@buzzi.space)

🌐 [www.buzzi.space](http://www.buzzi.space)



A-0000007744/01

Last update: 08/12/2023