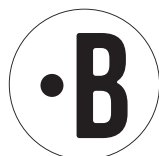
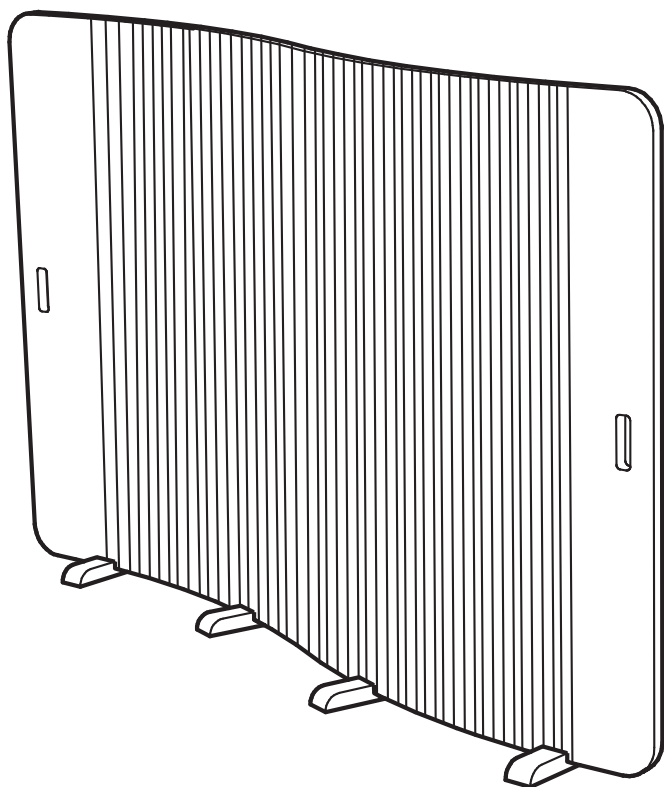
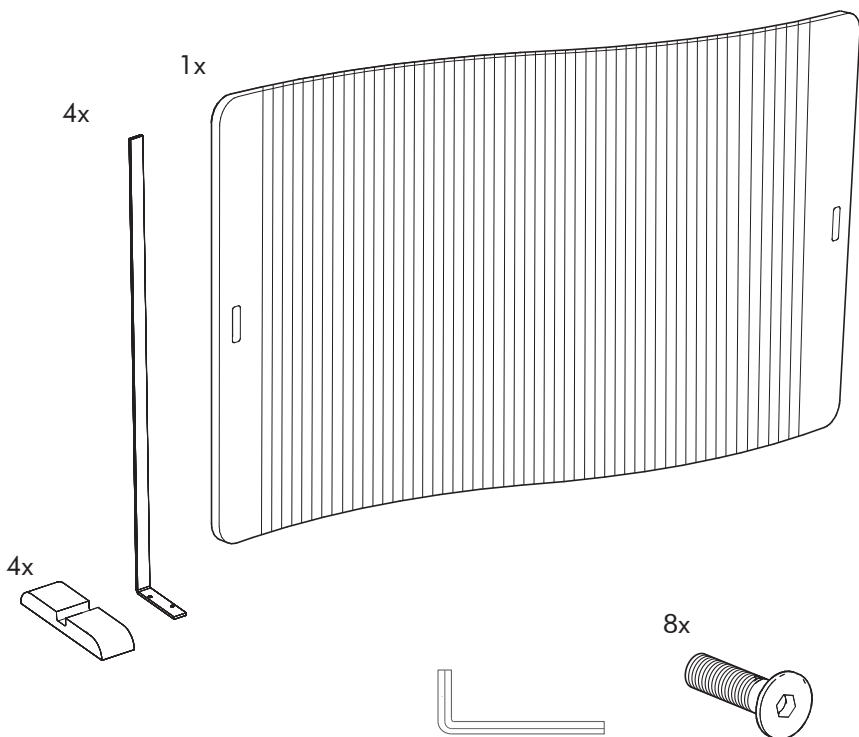
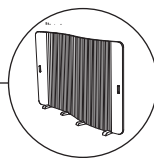


BuzziTwist

INSTALLATION MANUAL

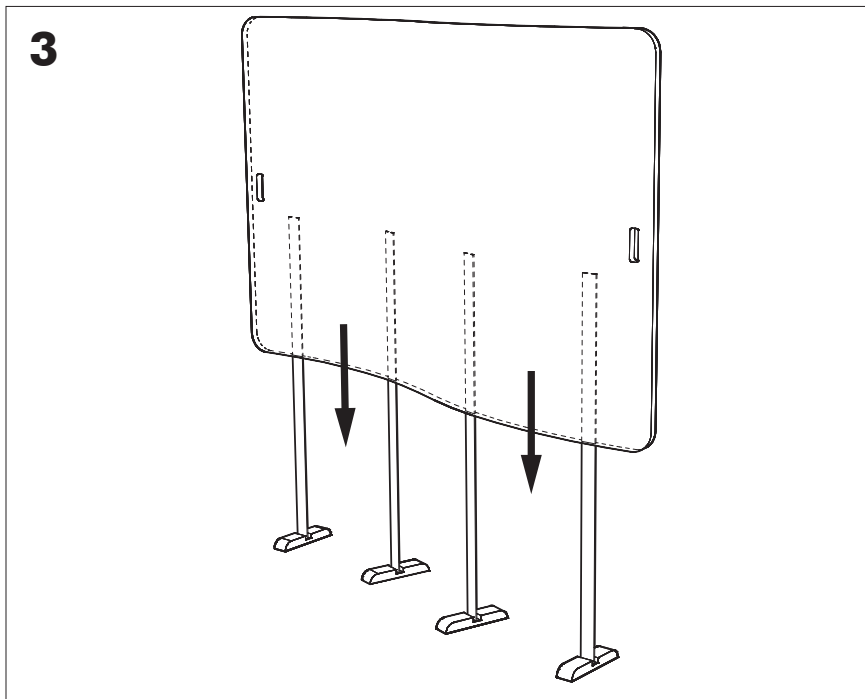
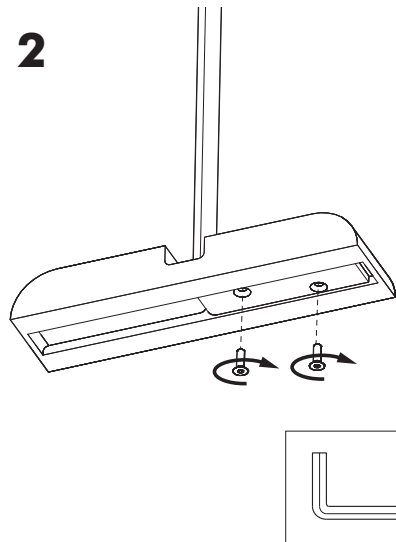
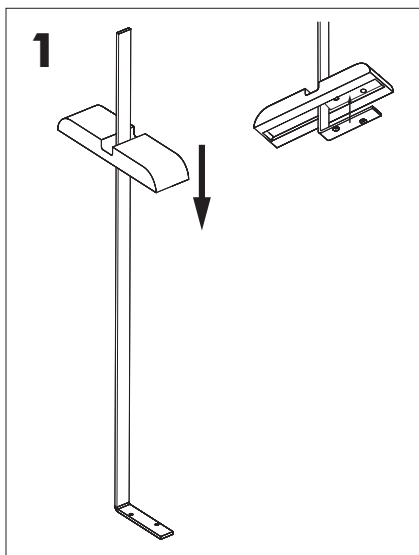
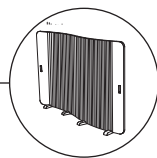


Included BuzziTwist



BuzziTwist

2 PERS. 



BuzziSpace Group NV
Italiëlei 8, 2000 Antwerp
Belgium

☎ +32 (0)3 846 10 00

✉ info@buzzi.space

🌐 www.buzzi.space



Doc nr.: A-0000002317/01

Last update: 11/12/2023