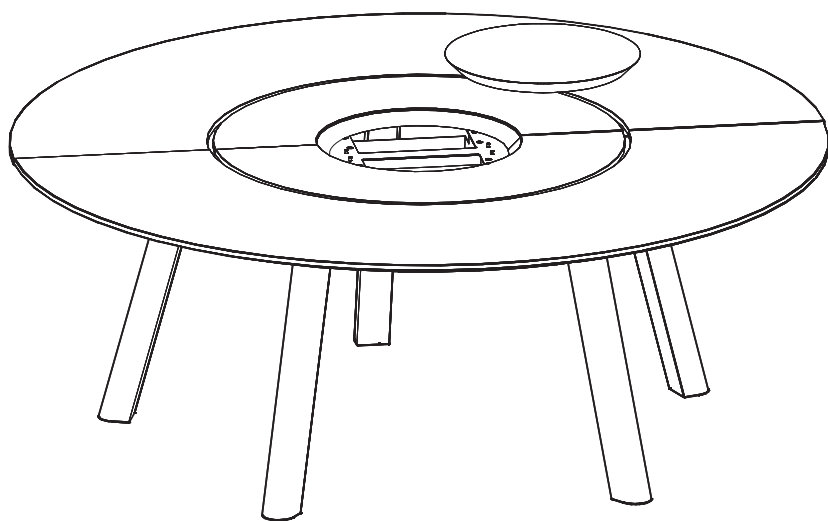


BuzziPicNic Round

INSTALLATION MANUAL

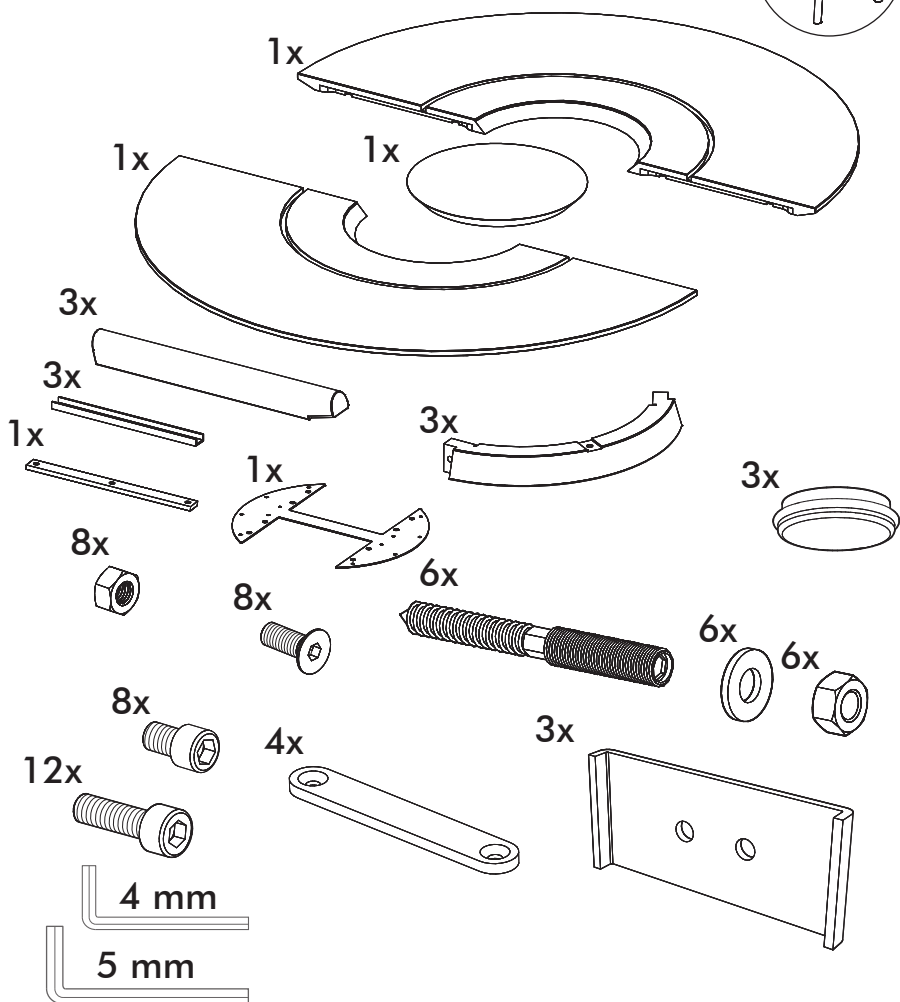
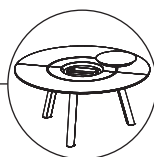


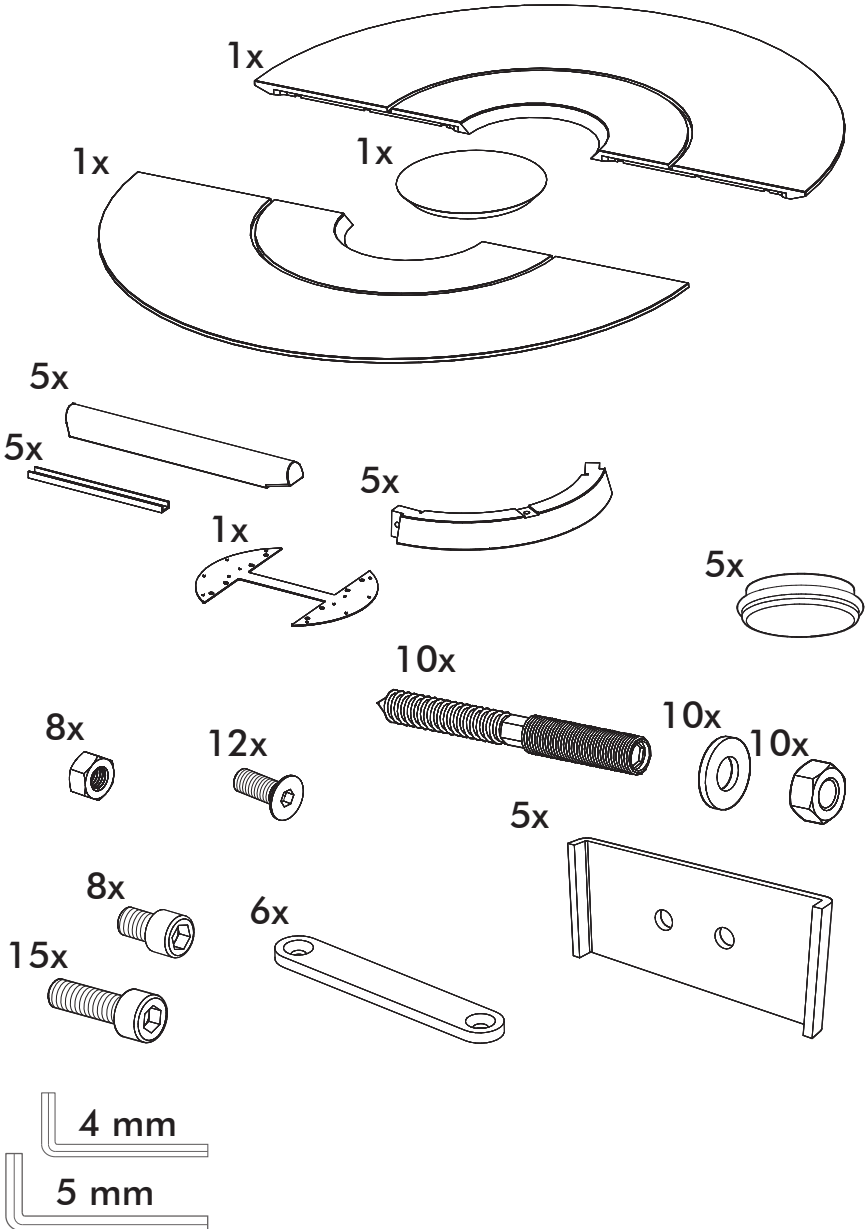
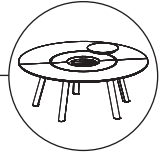
Excl.

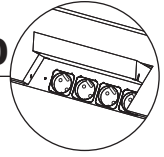


Incl. PicNic Round 160 cm

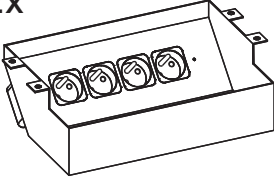
p.4



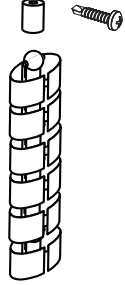




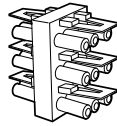
2x



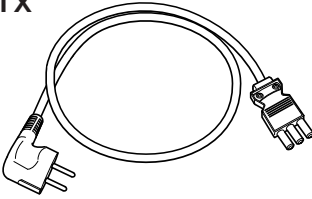
1x



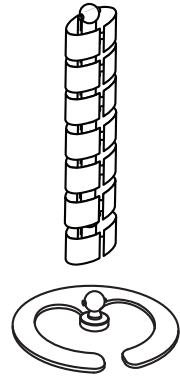
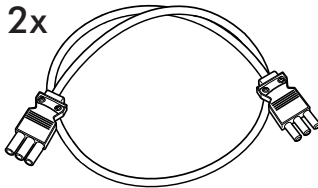
1x



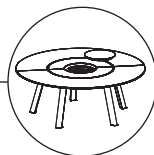
1x



2x

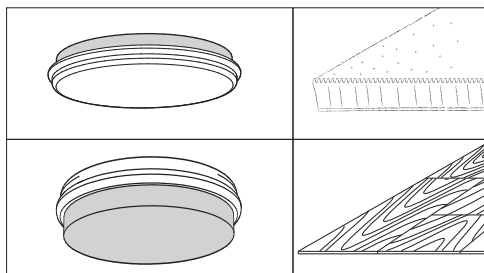
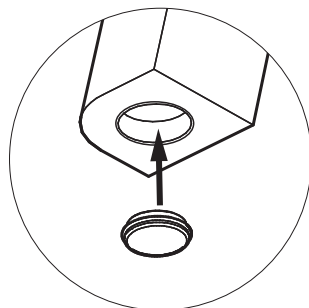
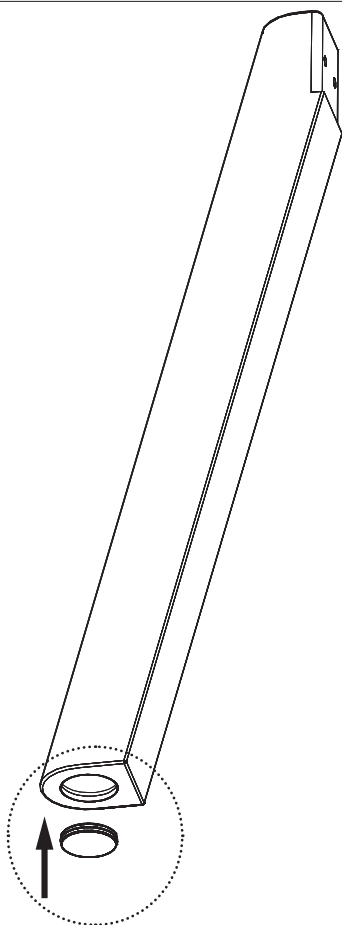




BuzziPicNic Round



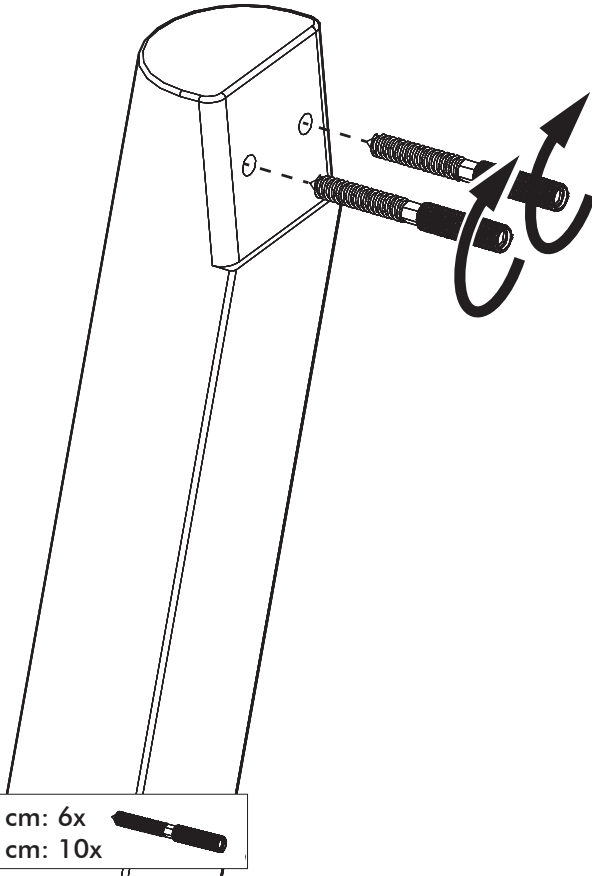
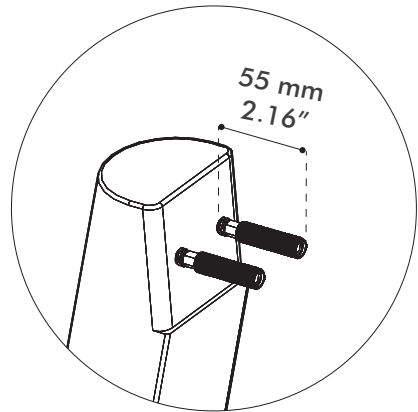
2 PERS. 

1



160 cm: 3x 
200 cm: 5x 

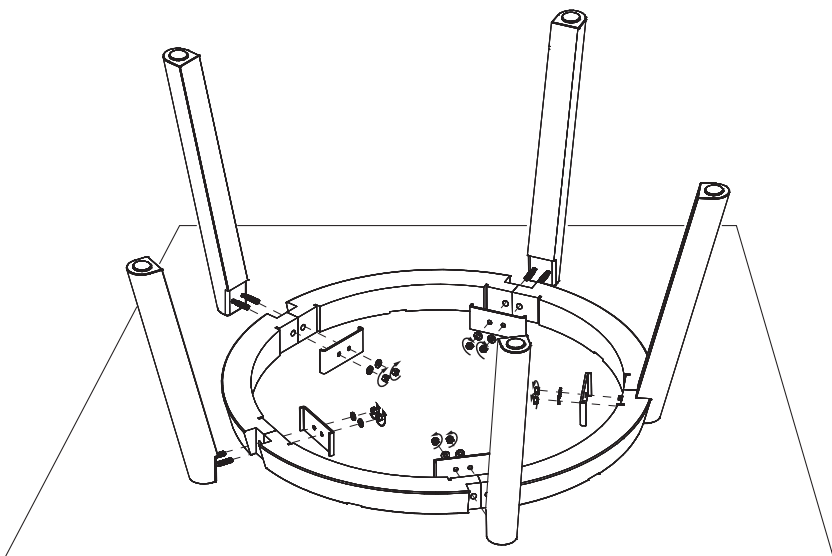
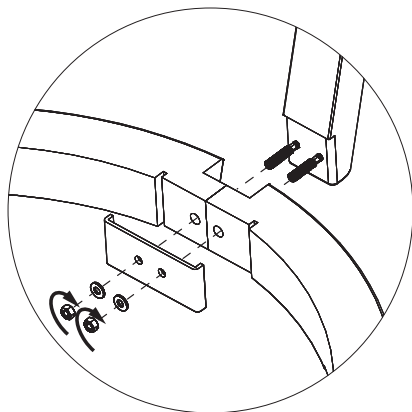
2



160 cm: 6x
200 cm: 10x



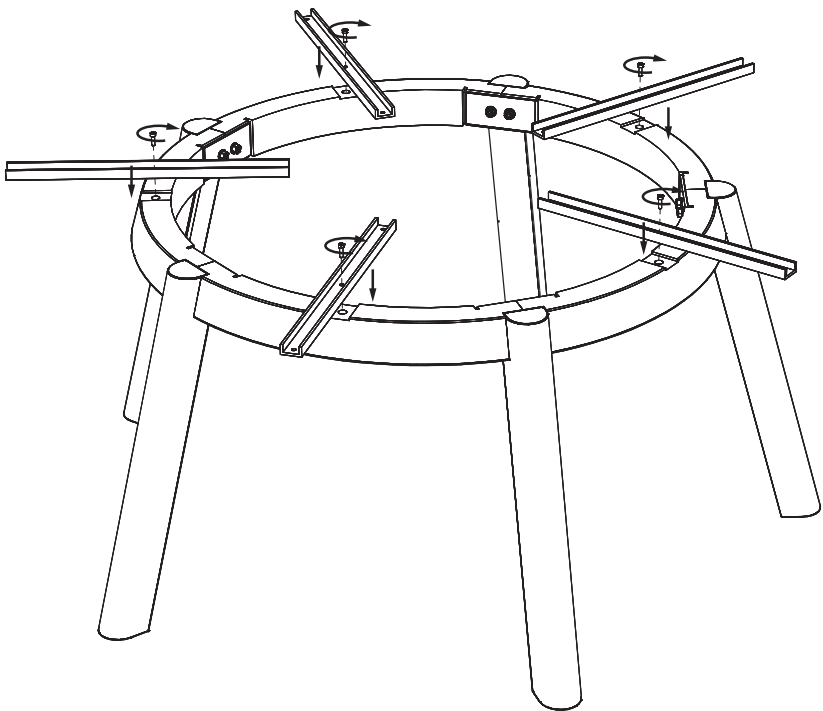
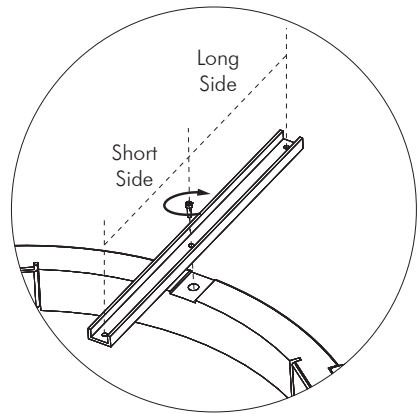
3



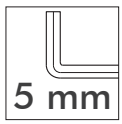
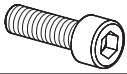
160 cm: 6x
200 cm: 10x



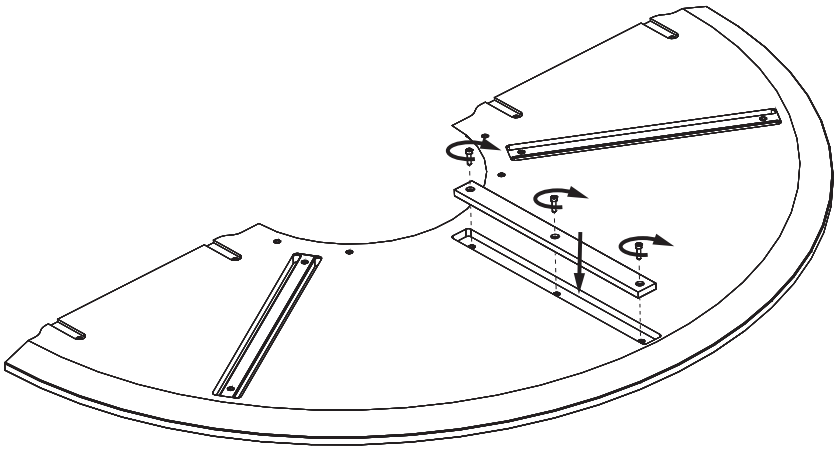
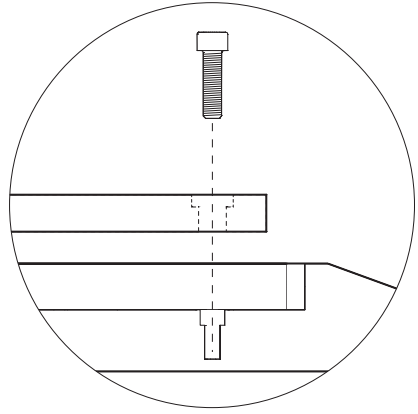
4



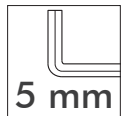
160 cm: 3x
200 cm: 5x



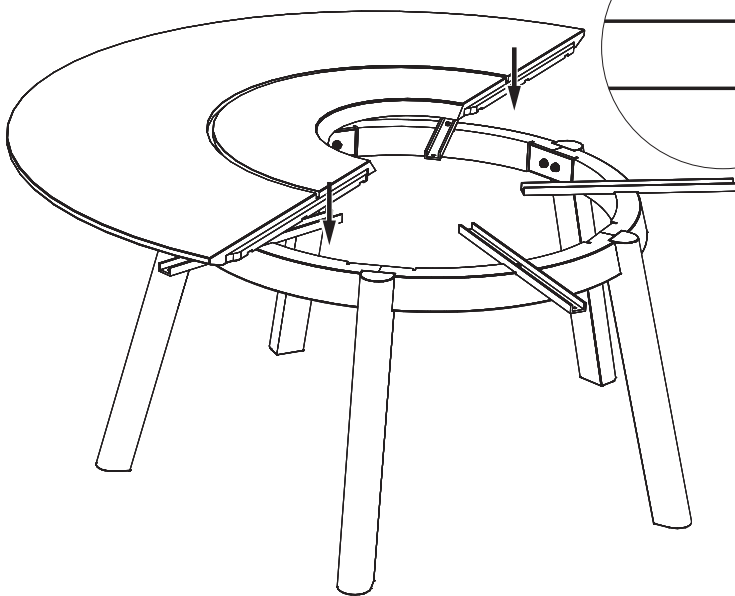
! 160 Only



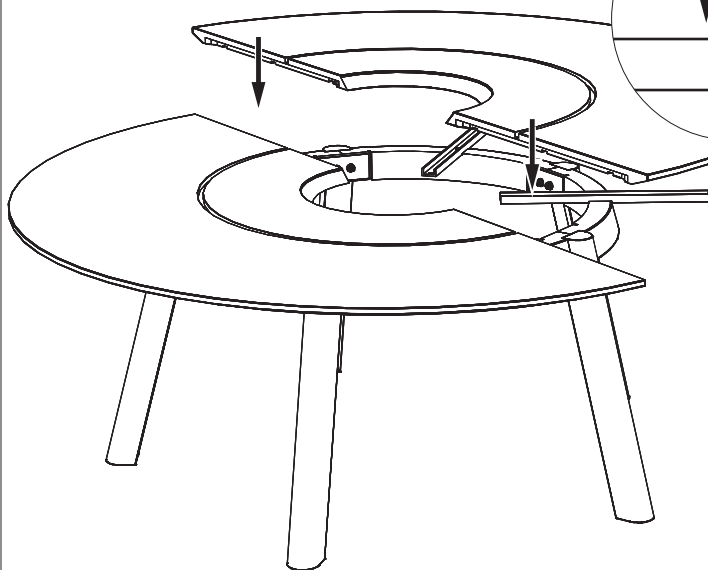
160 cm: 3x



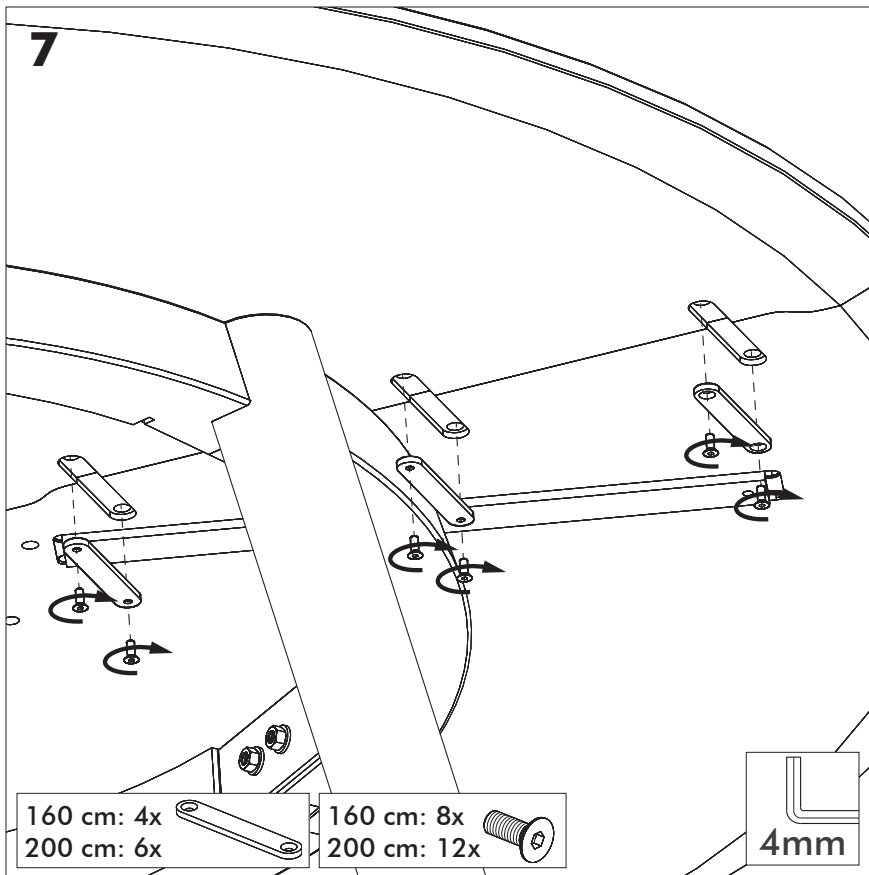
5



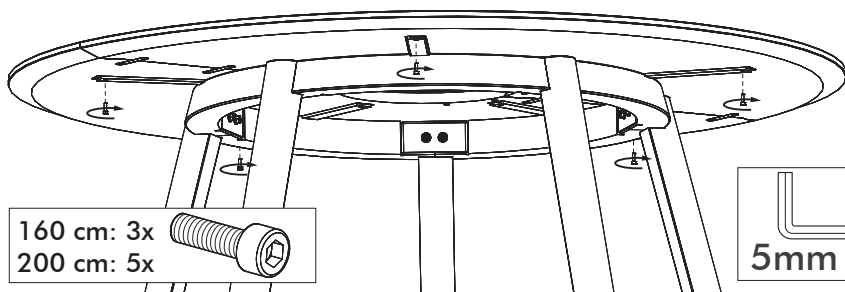
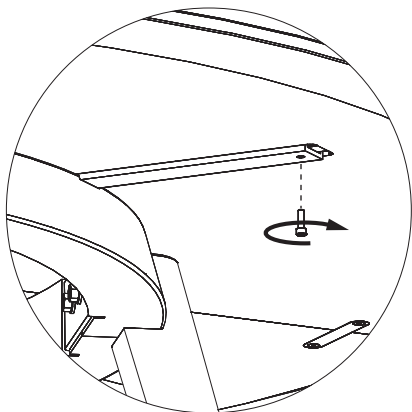
6



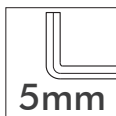
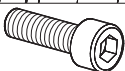
7



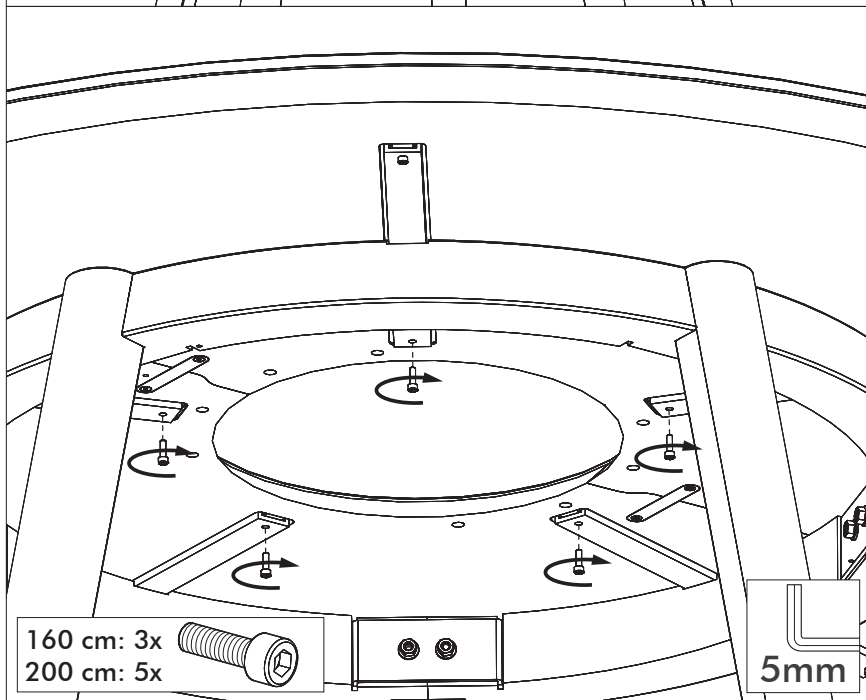
8



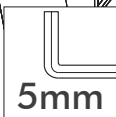
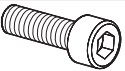
160 cm: 3x
200 cm: 5x



5mm

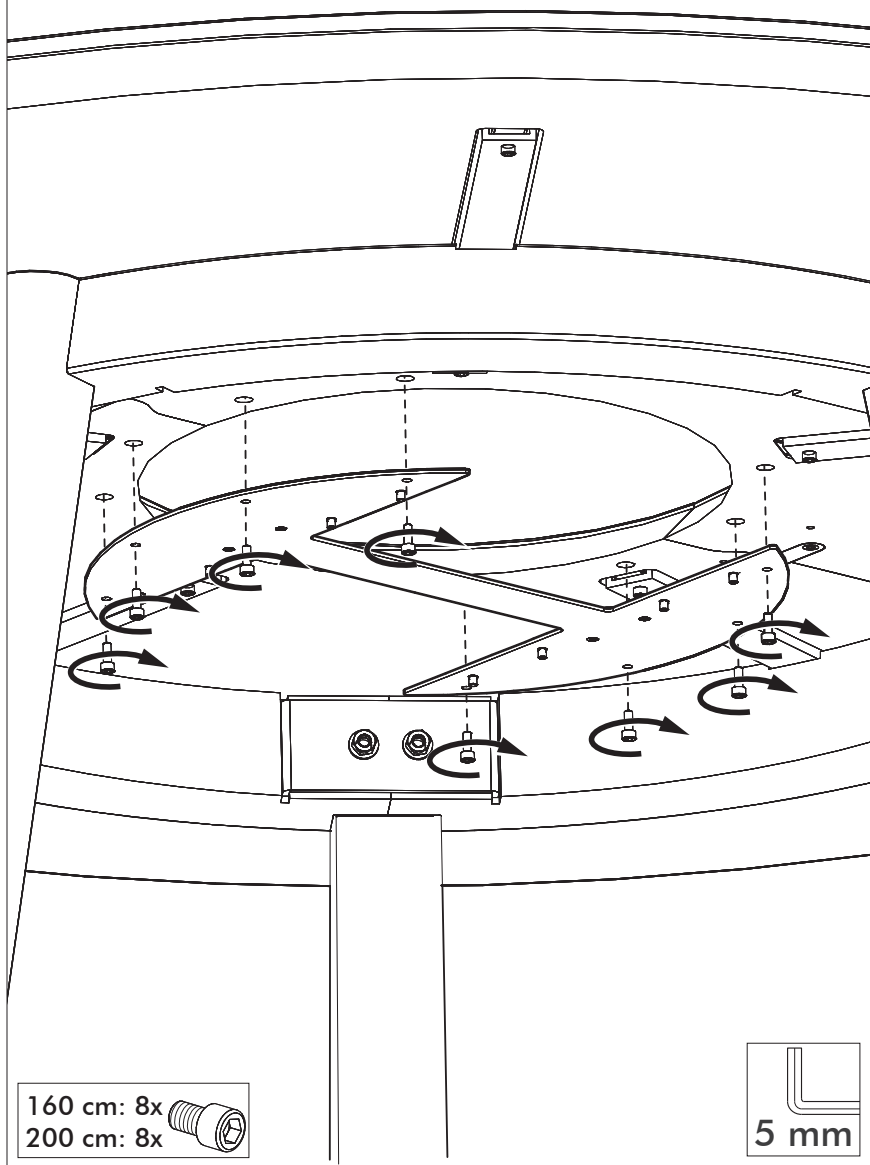


160 cm: 3x
200 cm: 5x

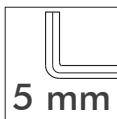


5mm

9

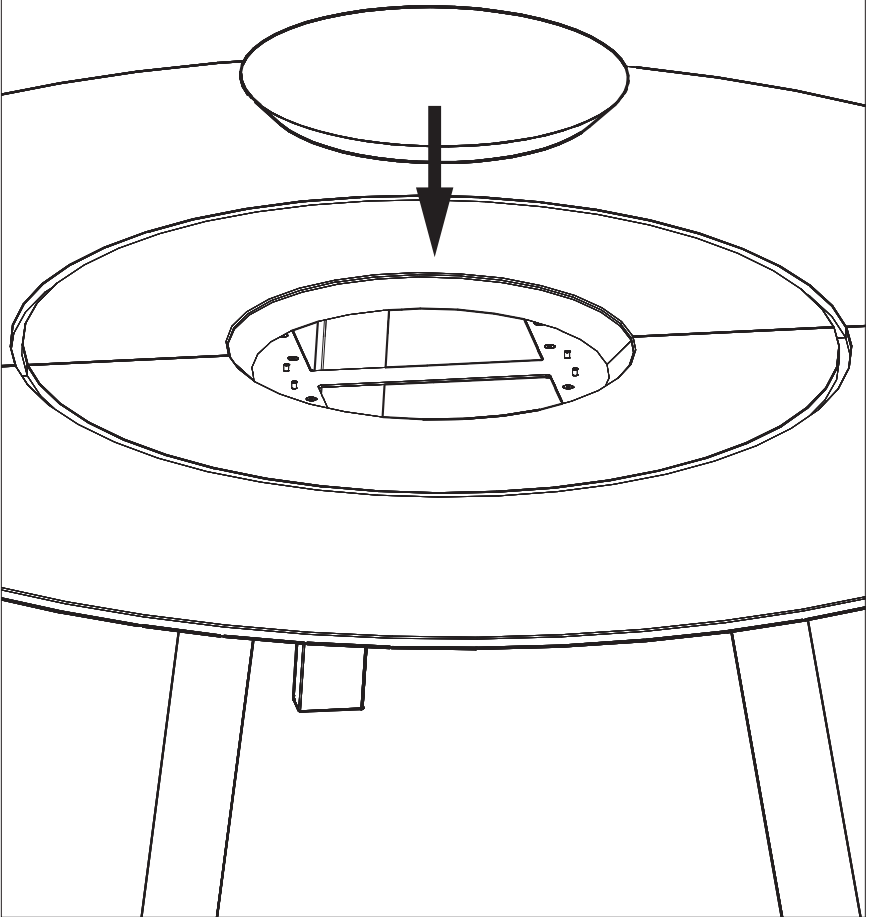
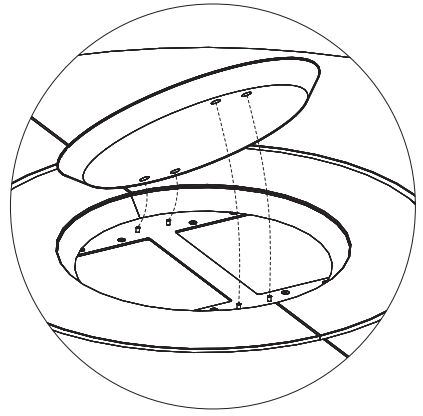


160 cm: 8x
200 cm: 8x

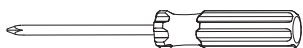


5 mm

10

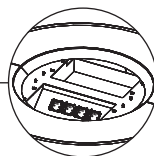


Excl.

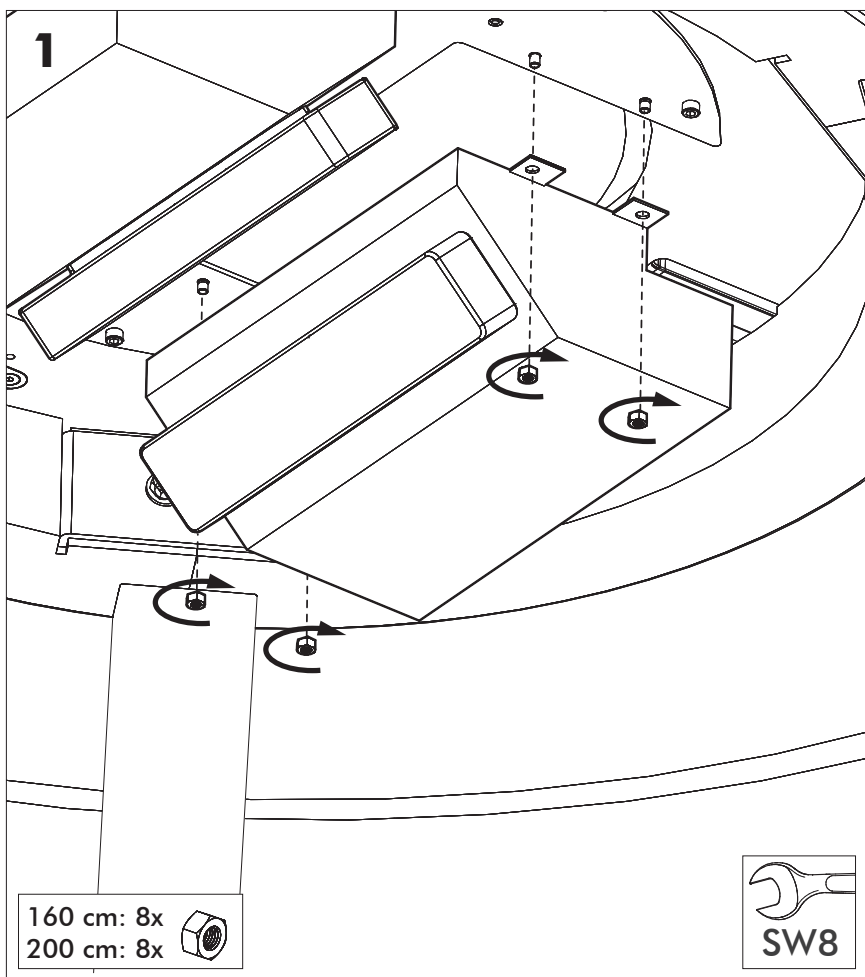


Sw8

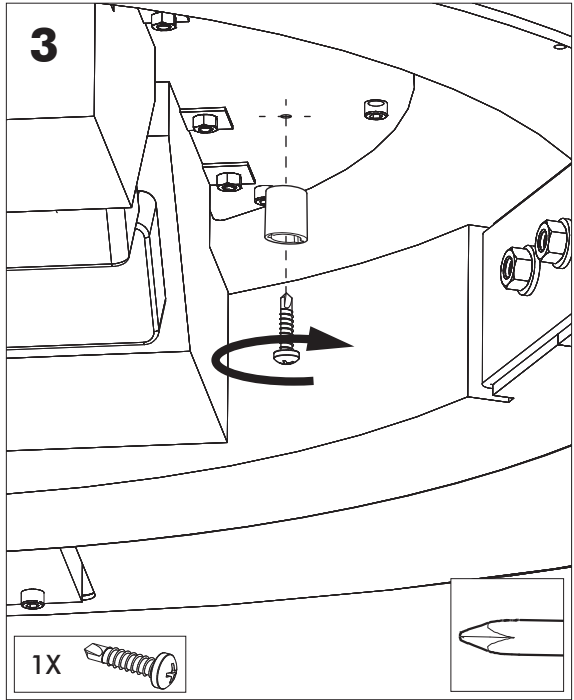
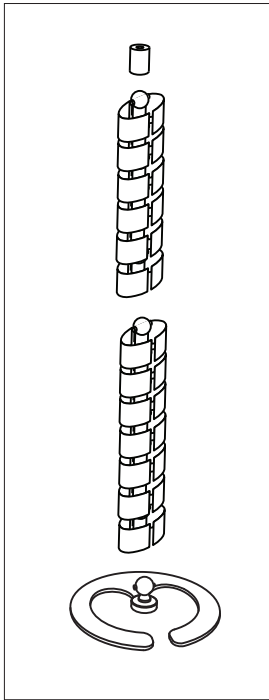
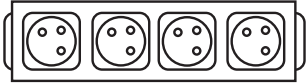
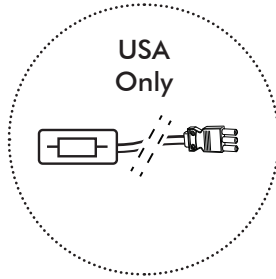
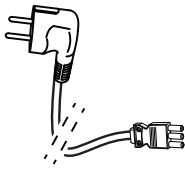
Optional Electrification



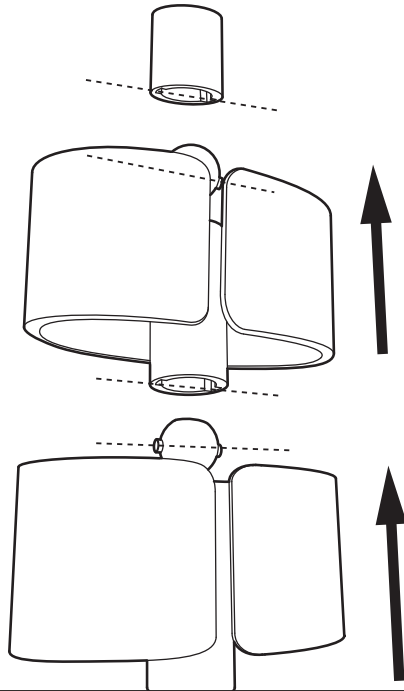
1 PERS.



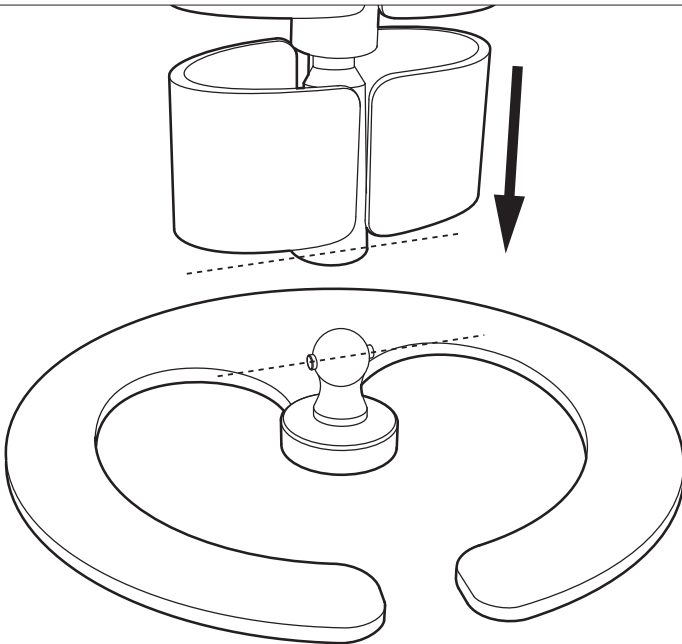
2



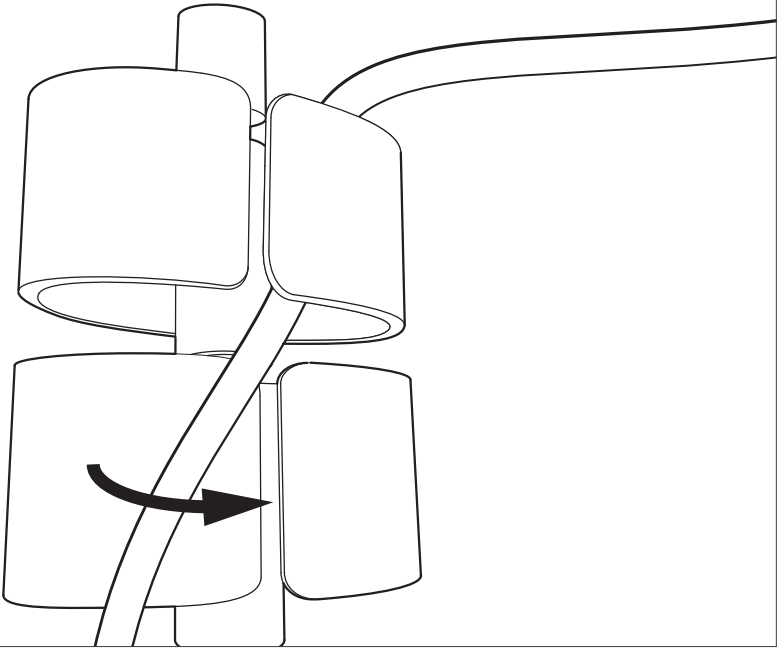
4



5



6



BuzziSpace Group NV
Italiëlei 8, 2000 Antwerp
Belgium

☎ +32 (0)3 846 10 00

✉ info@buzzi.space

🌐 www.buzzi.space



Doc nr.: A-0000001515/01

Last update: 04/12/2023