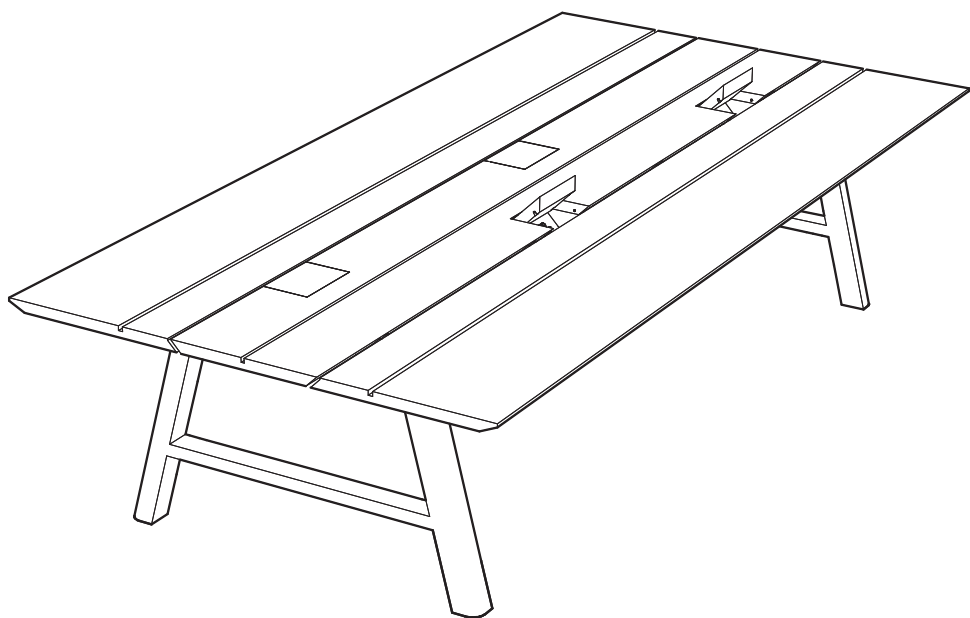
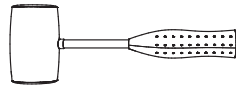


BuzziPicNic Workbench

INSTALLATION MANUAL

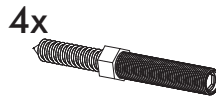
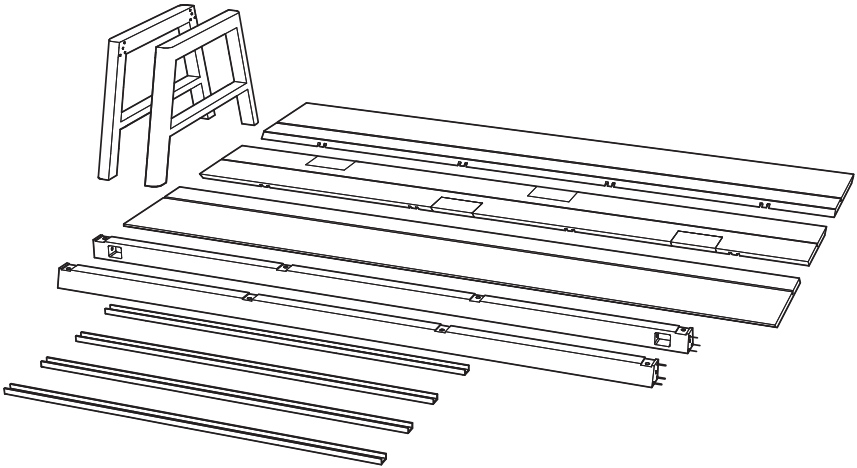
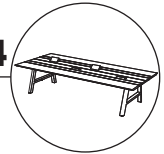


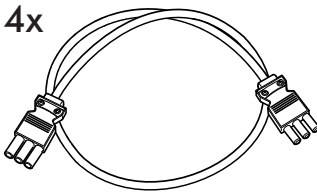
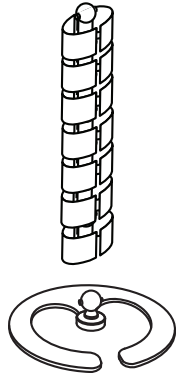
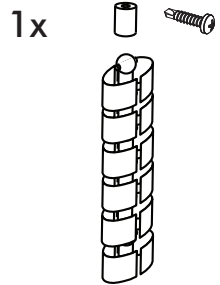
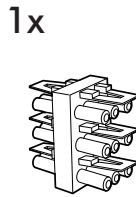
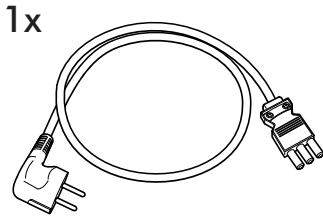
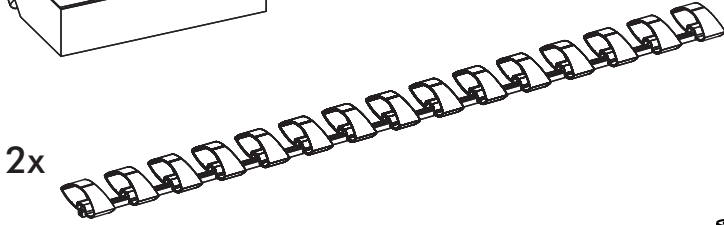
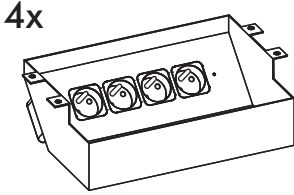
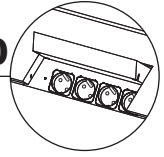
Excl.



Incl. PicNic Workbench

p.4



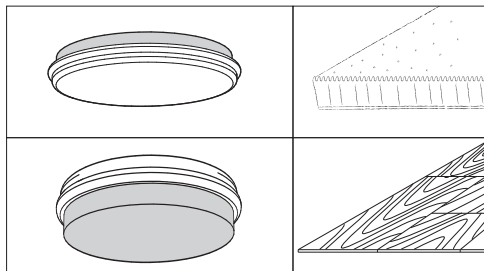
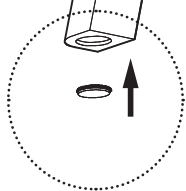
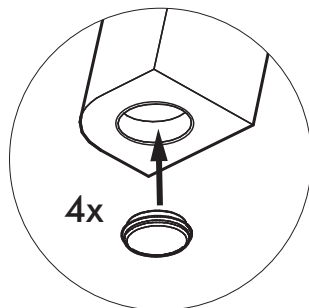


BuzziPicNic WorkBench

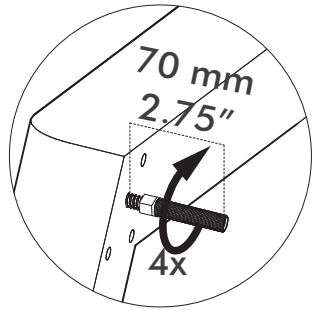
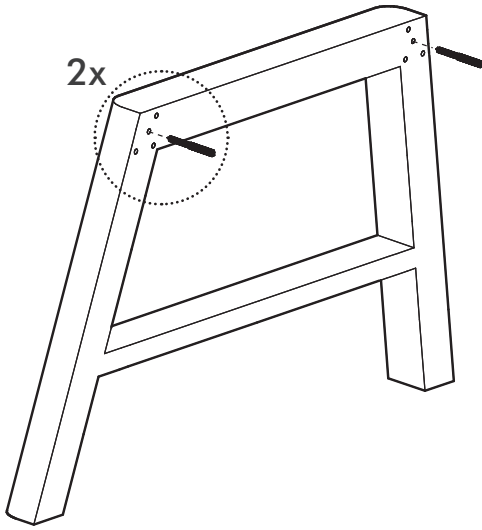


2 PERS.

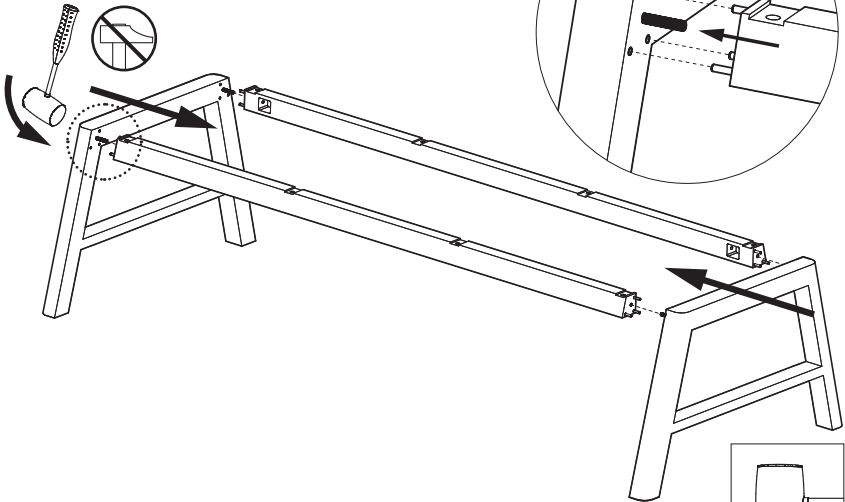
1



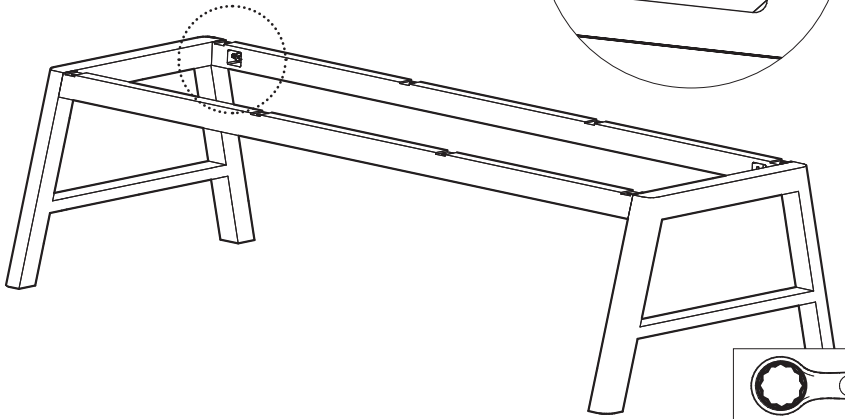
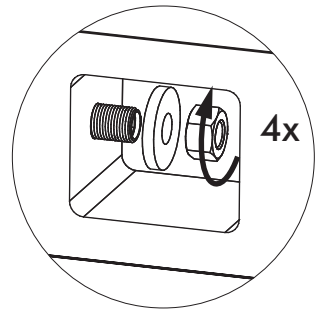
2



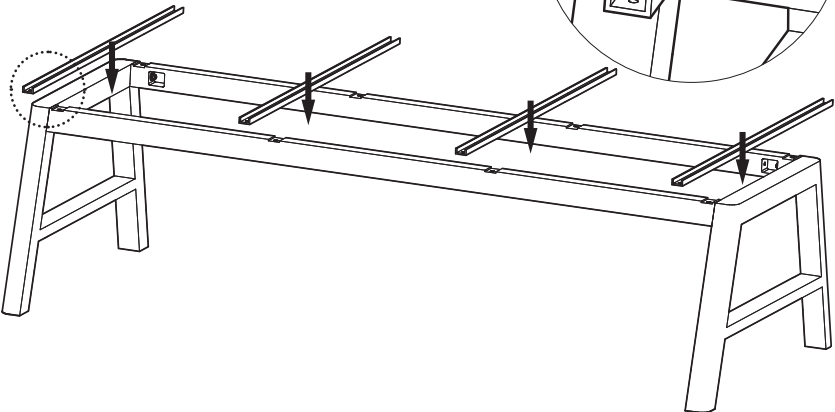
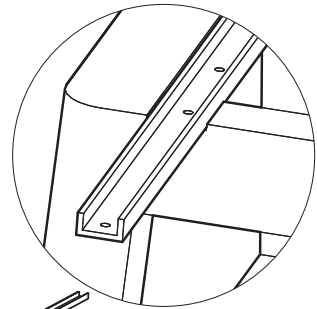
3



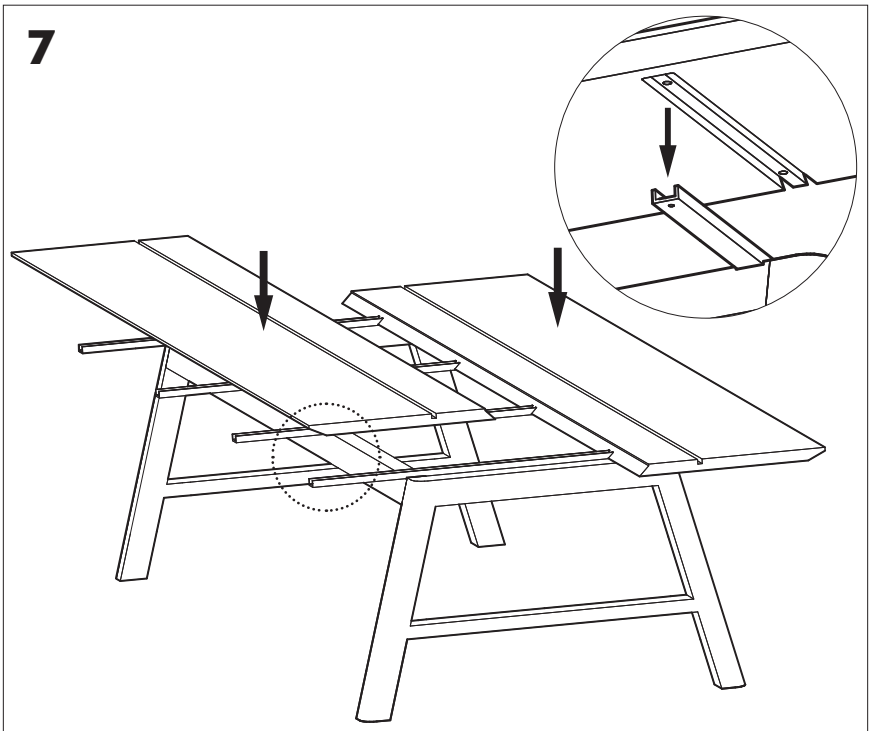
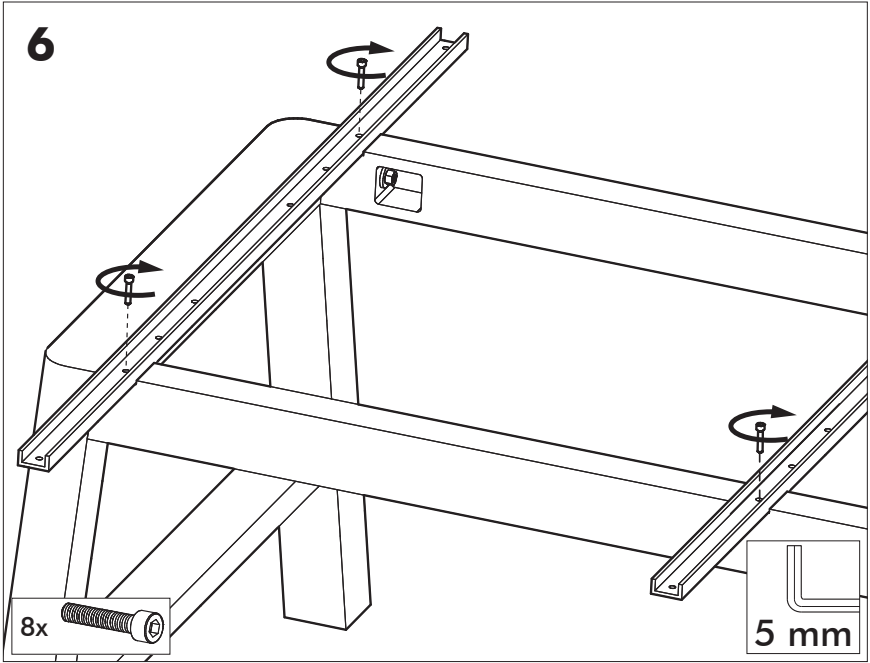
4



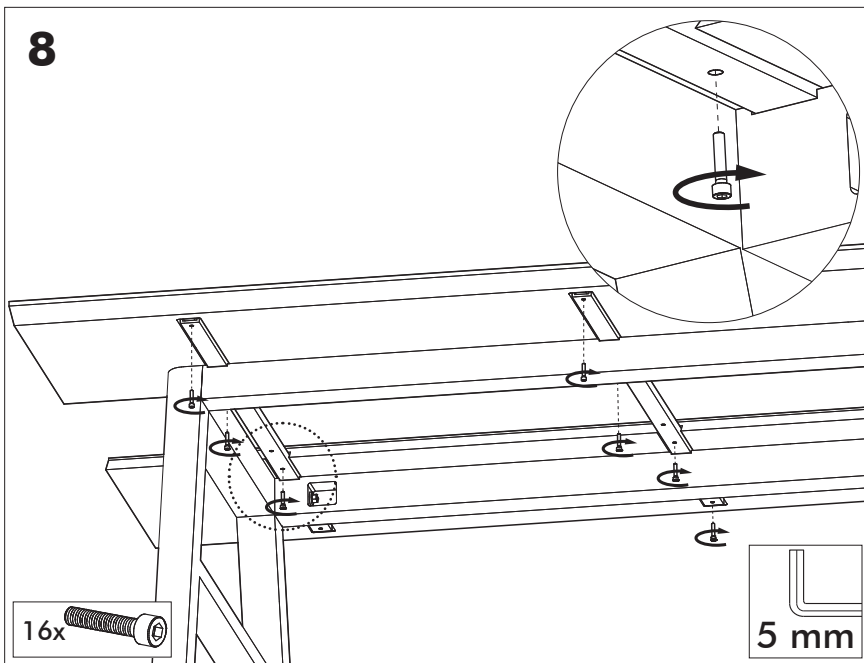
5



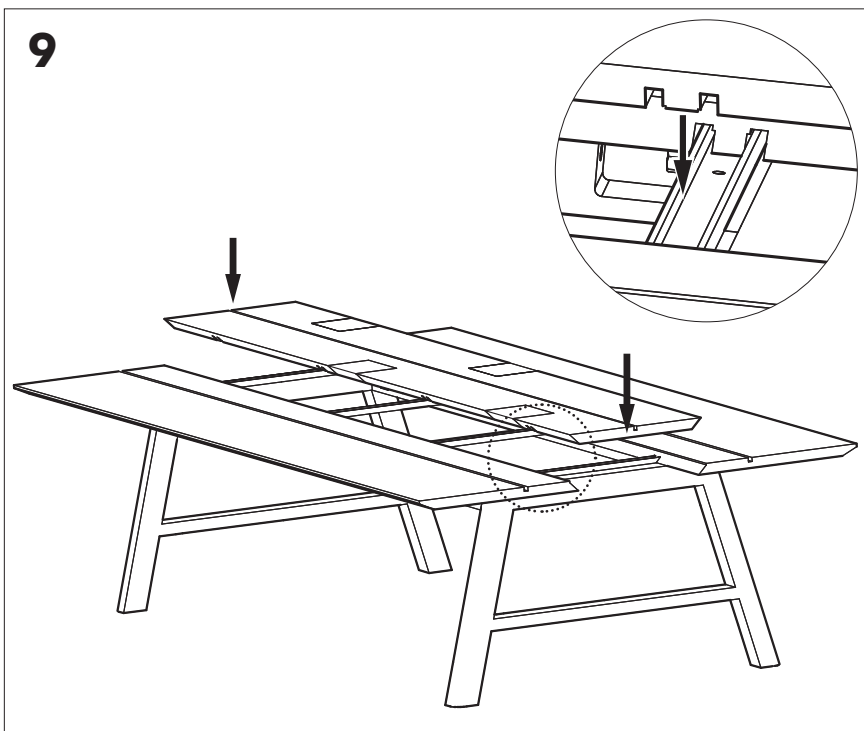
6

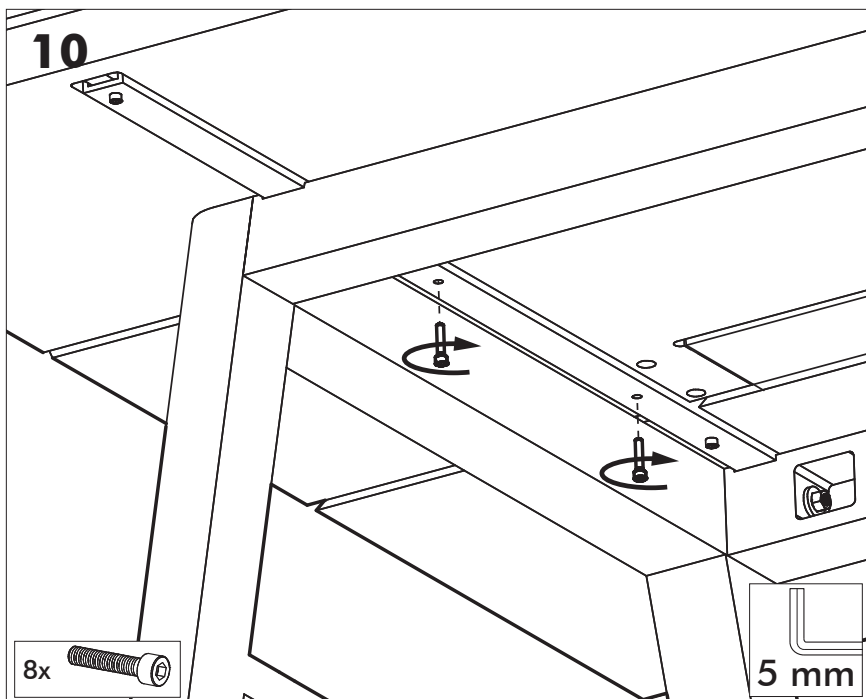


8

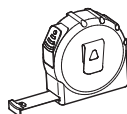
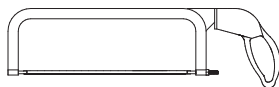
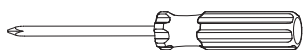


9

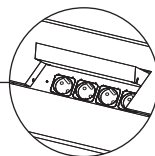




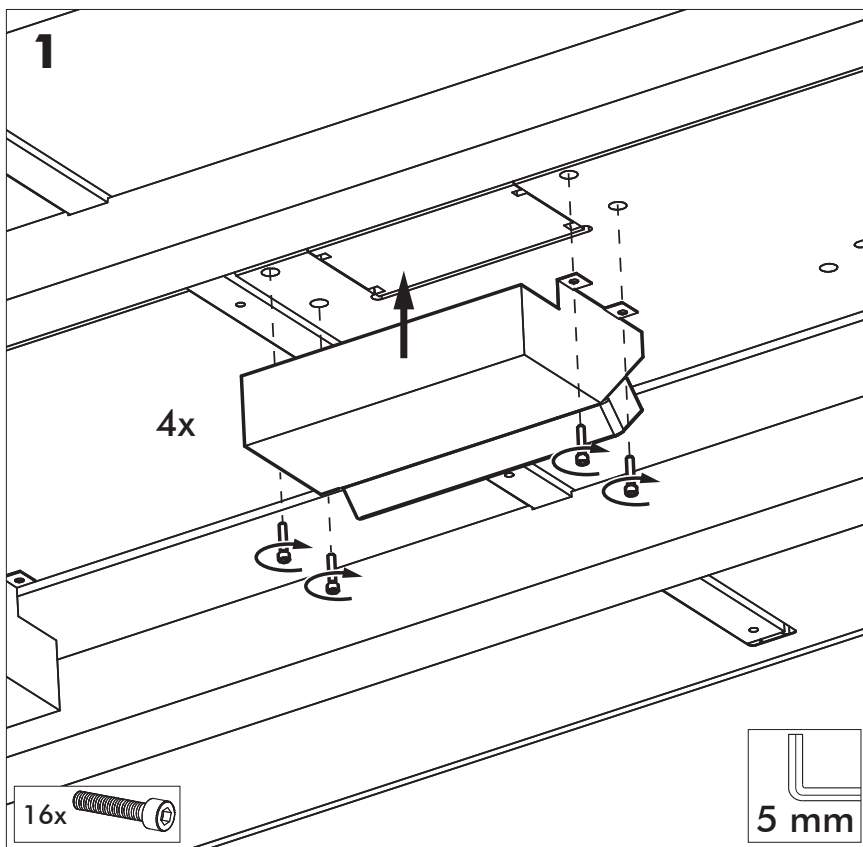
Excl.



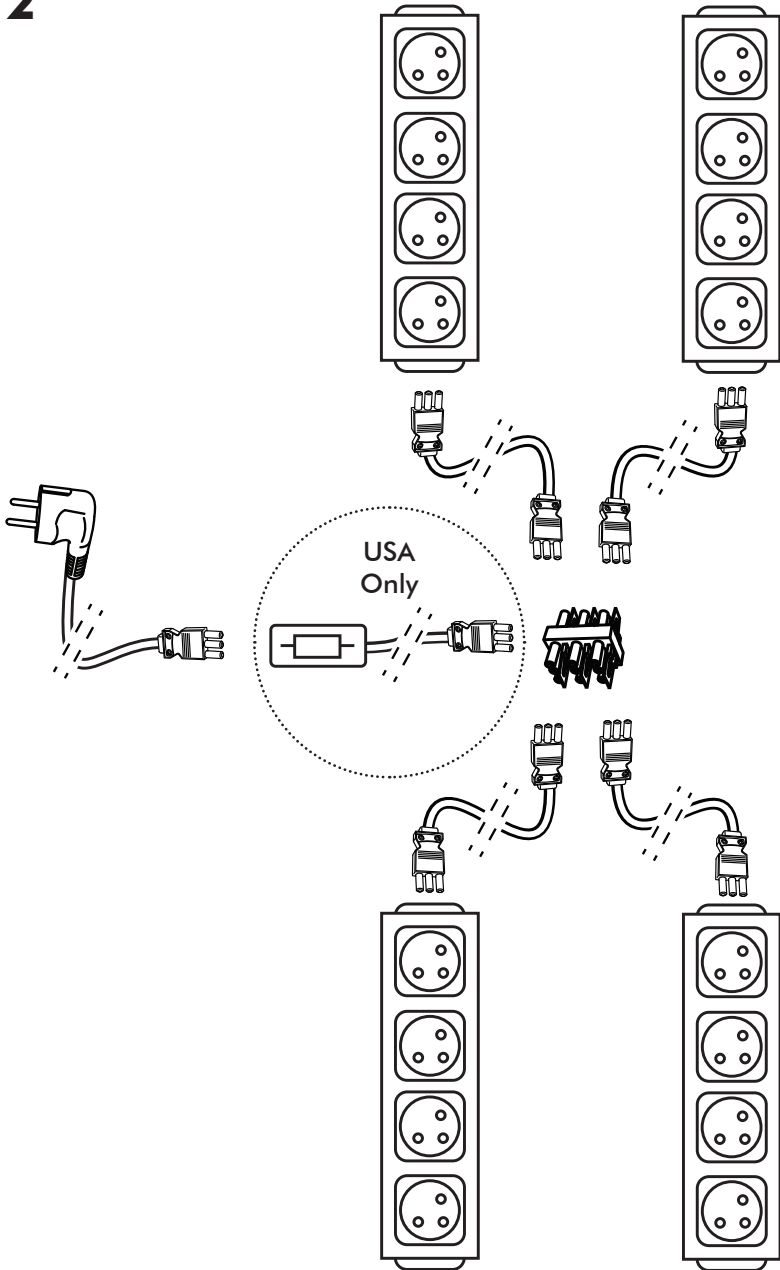
Optional Electrification

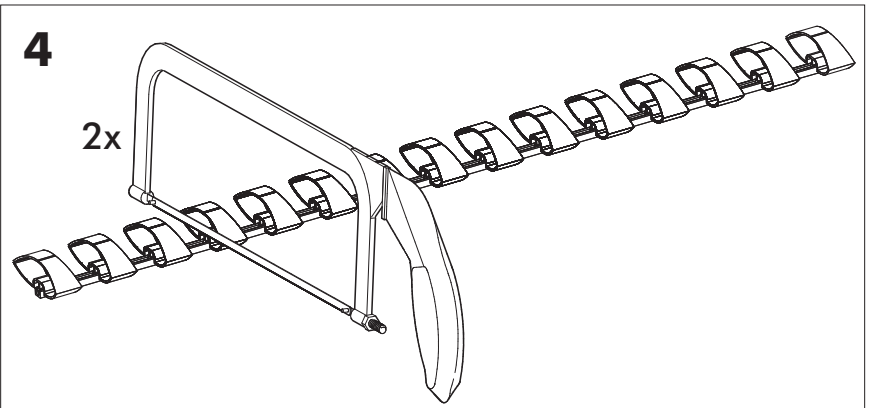
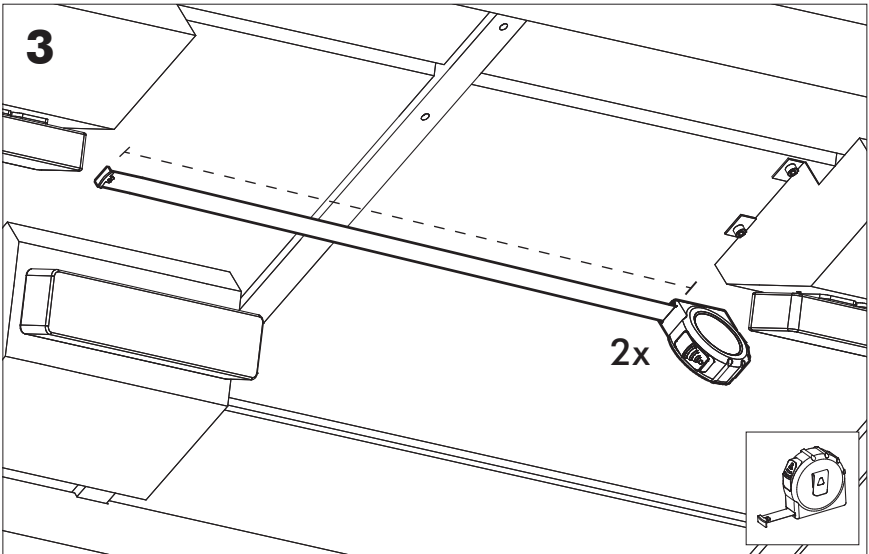
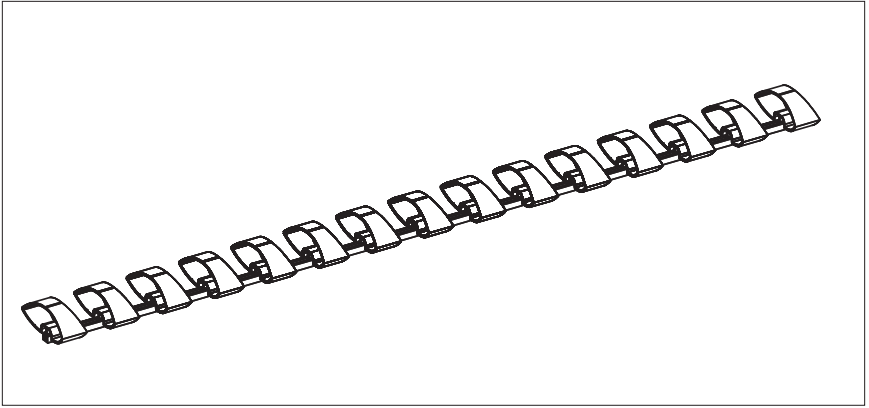


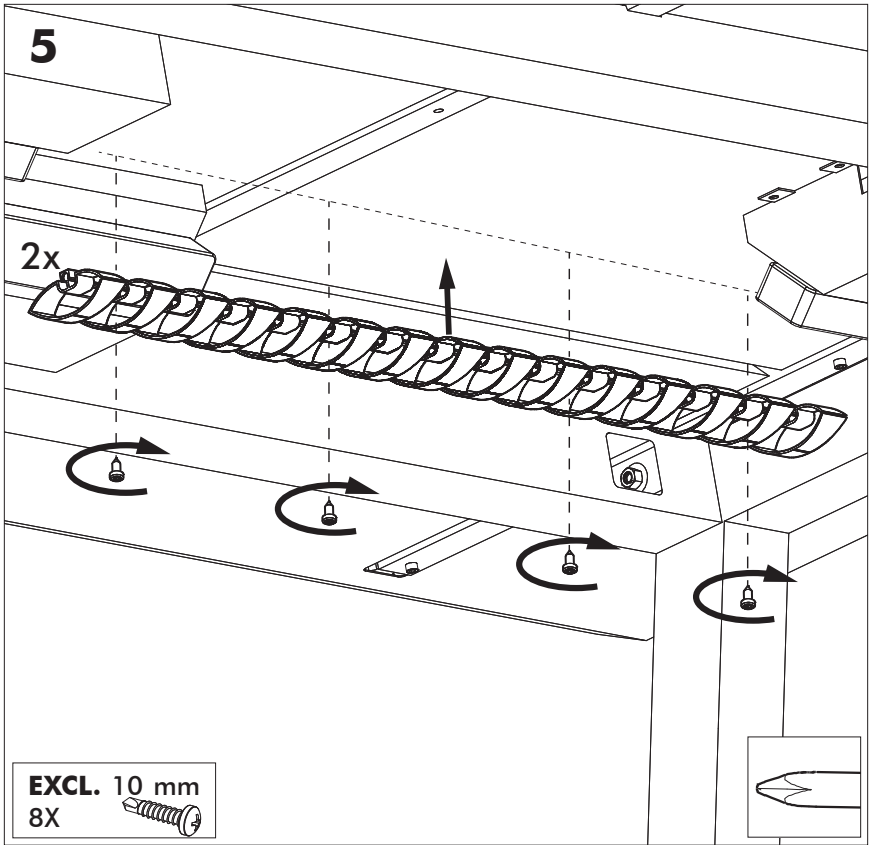
1 PERS.

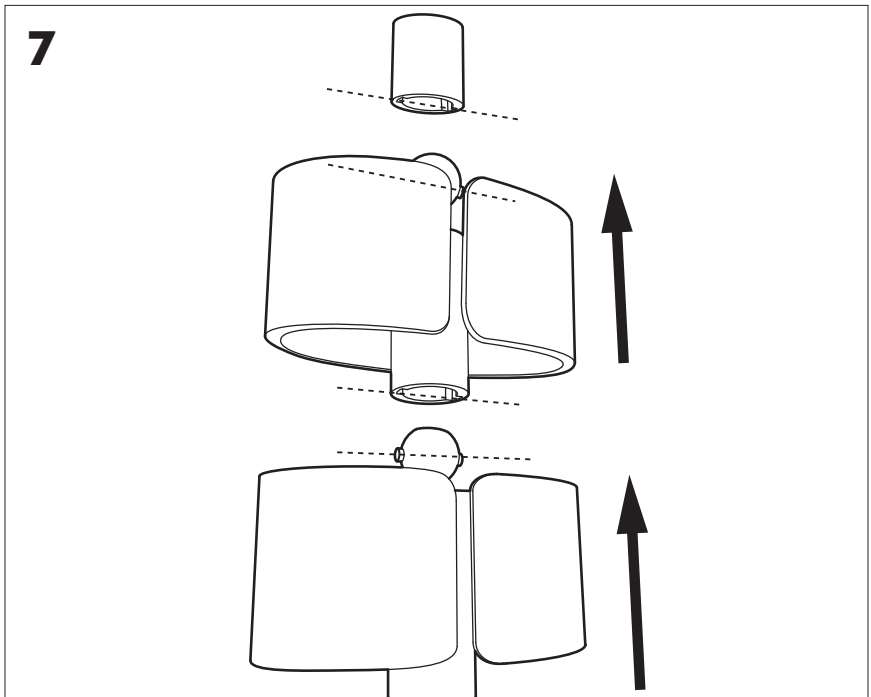
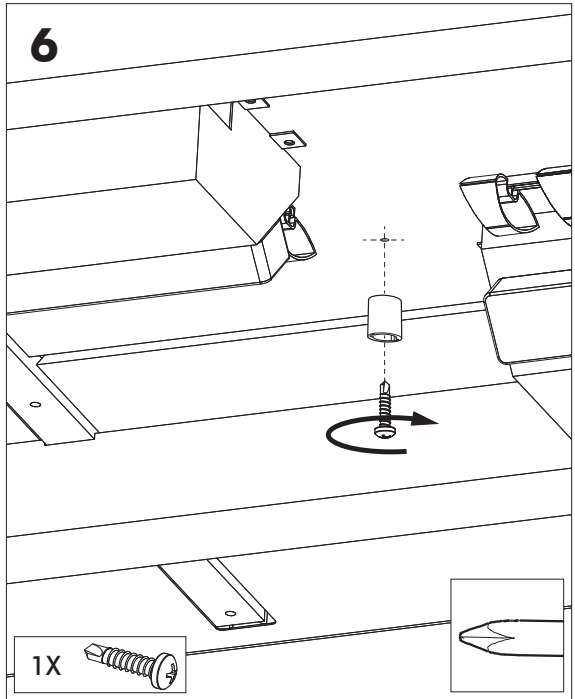
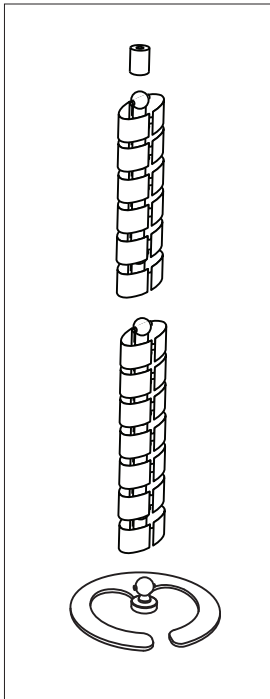


2

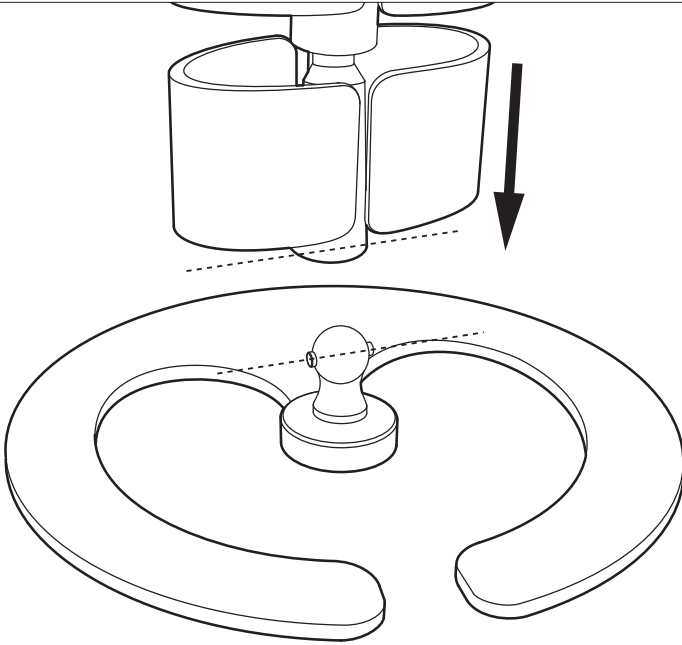




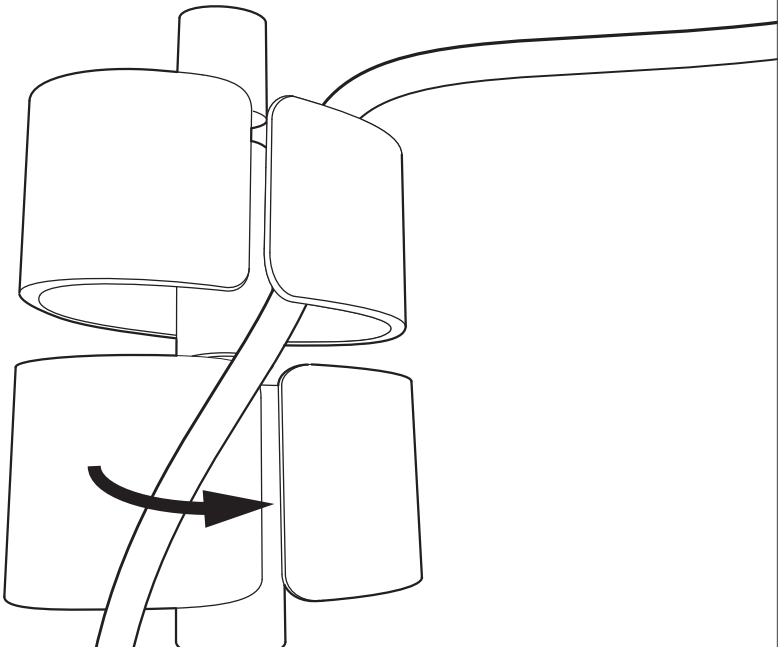




8



9



BuzziSpace Group NV
Italiëlei 8, 2000 Antwerp
Belgium

☎ +32 (0)3 846 10 00

✉ info@buzzi.space

🌐 www.buzzi.space



Doc nr.: A-0000001227/02

Last update: 04/12/2023