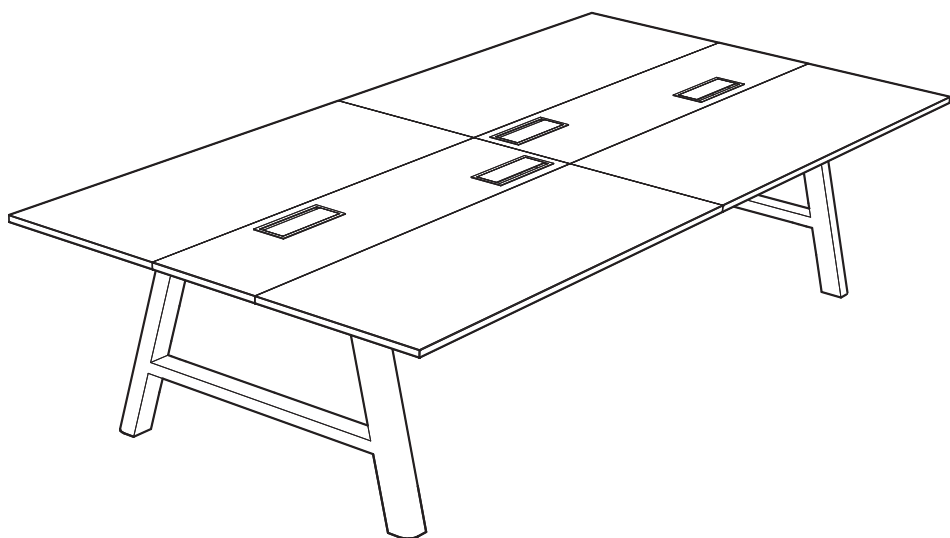
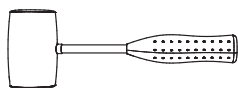


# BuzziPicNic Workbench

INSTALLATION MANUAL

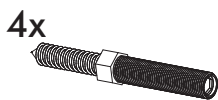
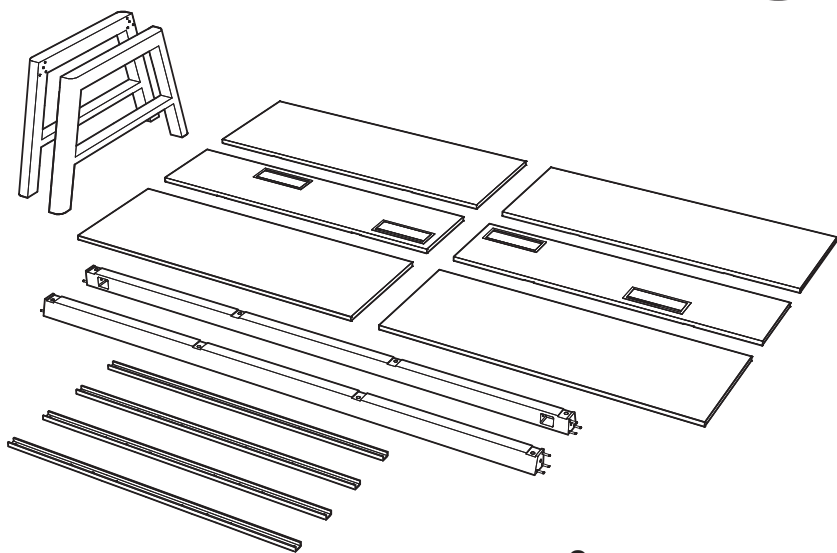
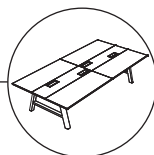


## Excluded

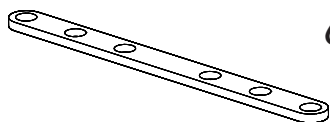


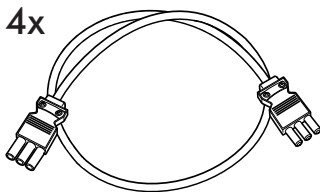
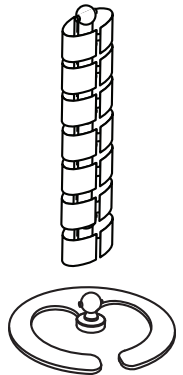
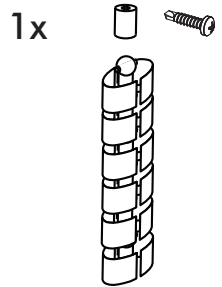
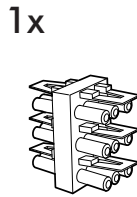
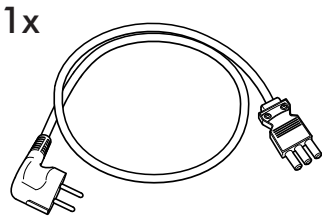
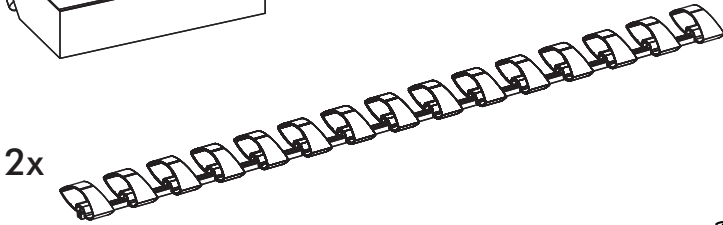
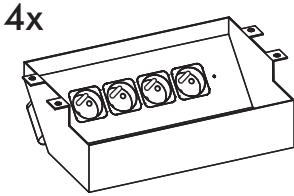
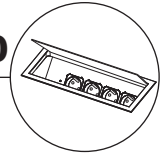
## Included PicNac Workbench

p.4



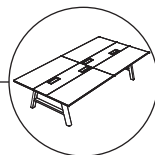
11x



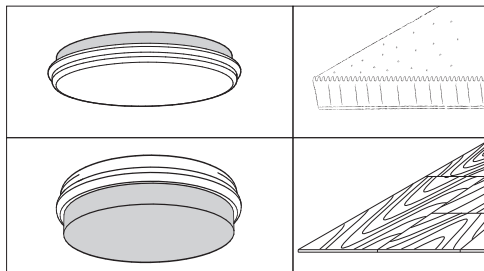
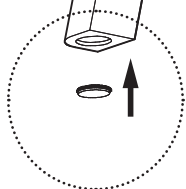
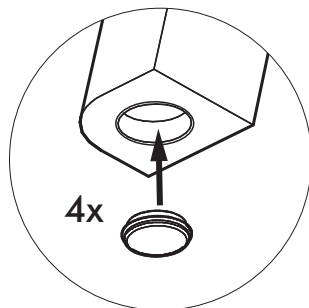


# BuzziPicNic WorkBench

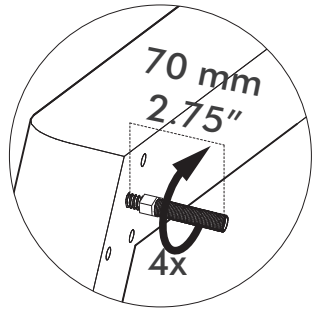
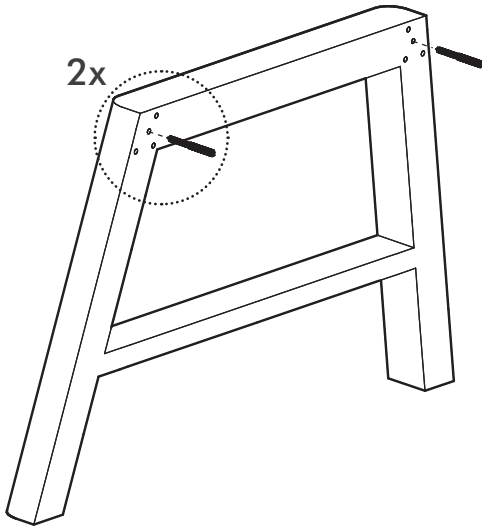
2 PERS. 



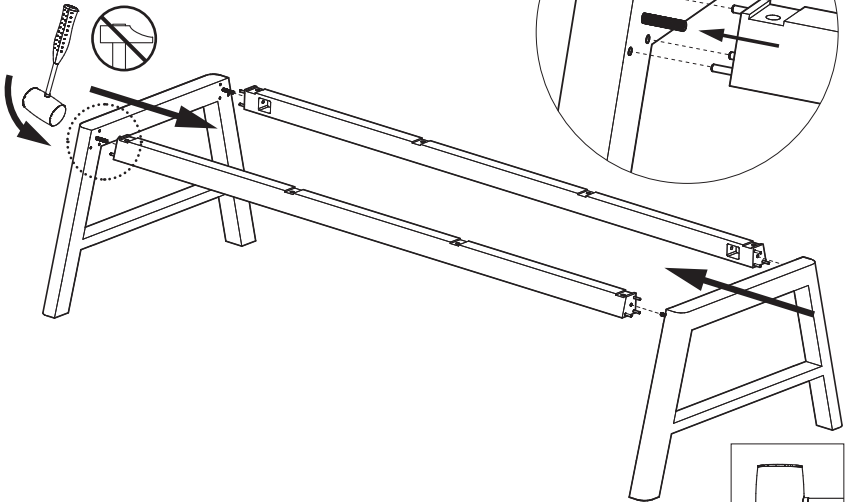
1



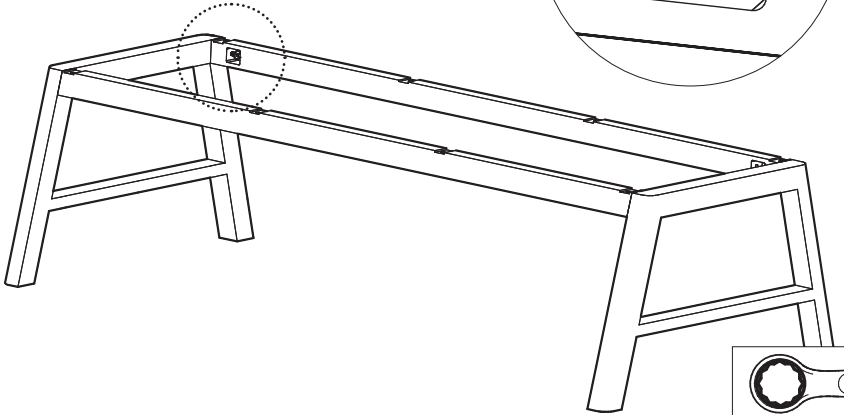
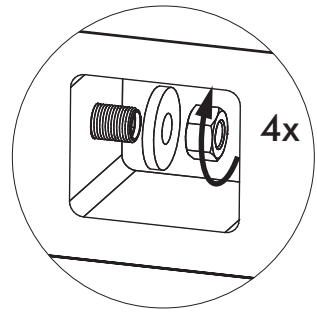
**2**



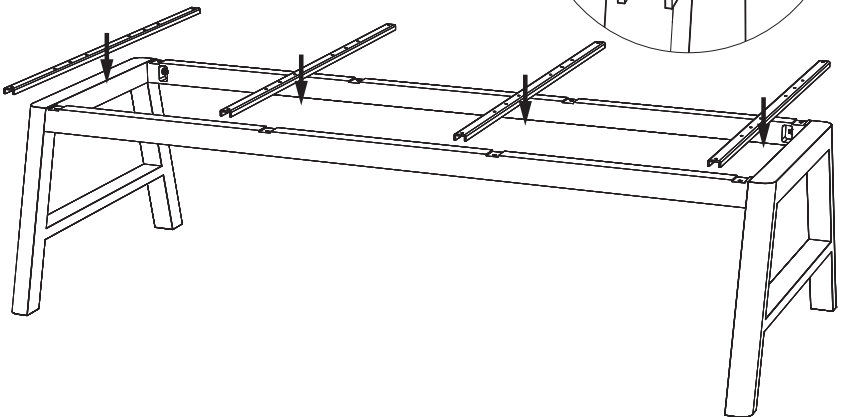
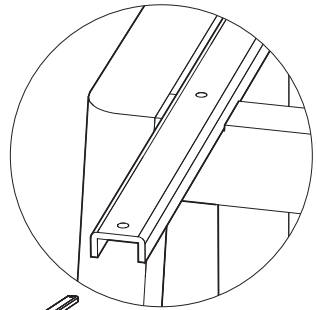
**3**



4

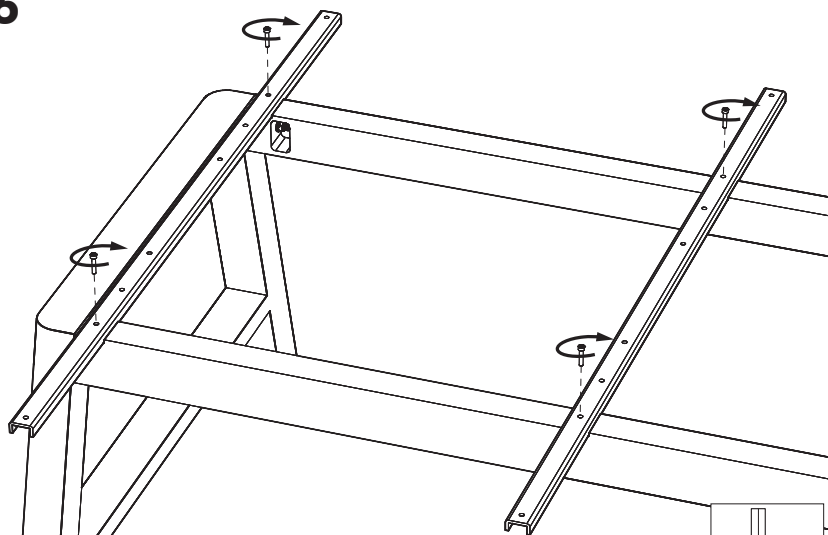


5



6

6

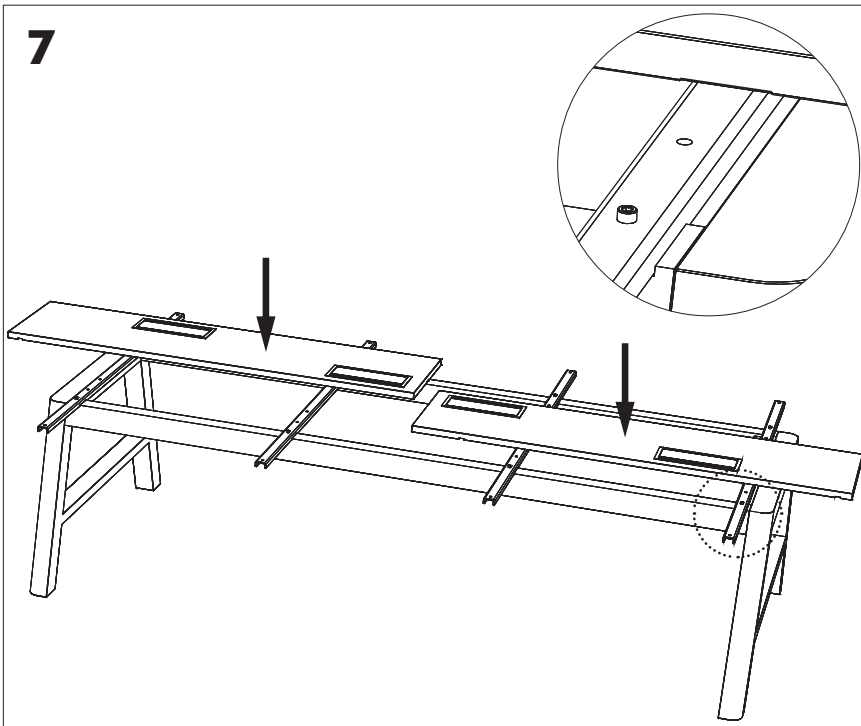


8x

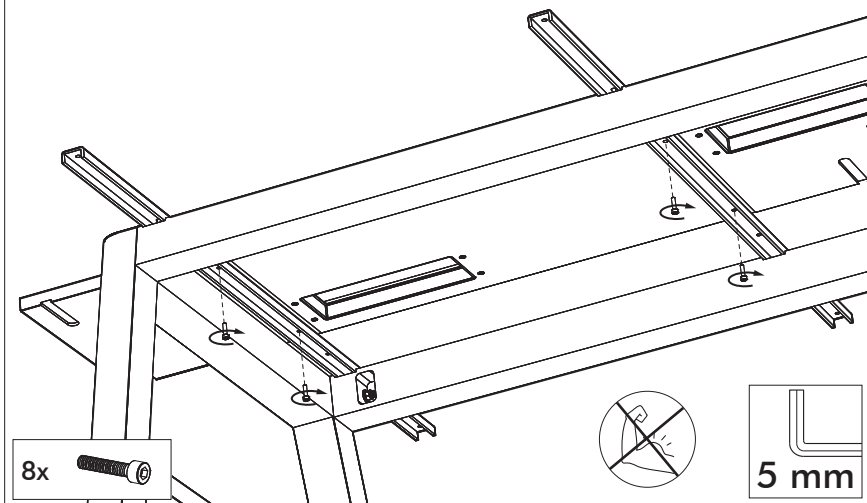


5 mm

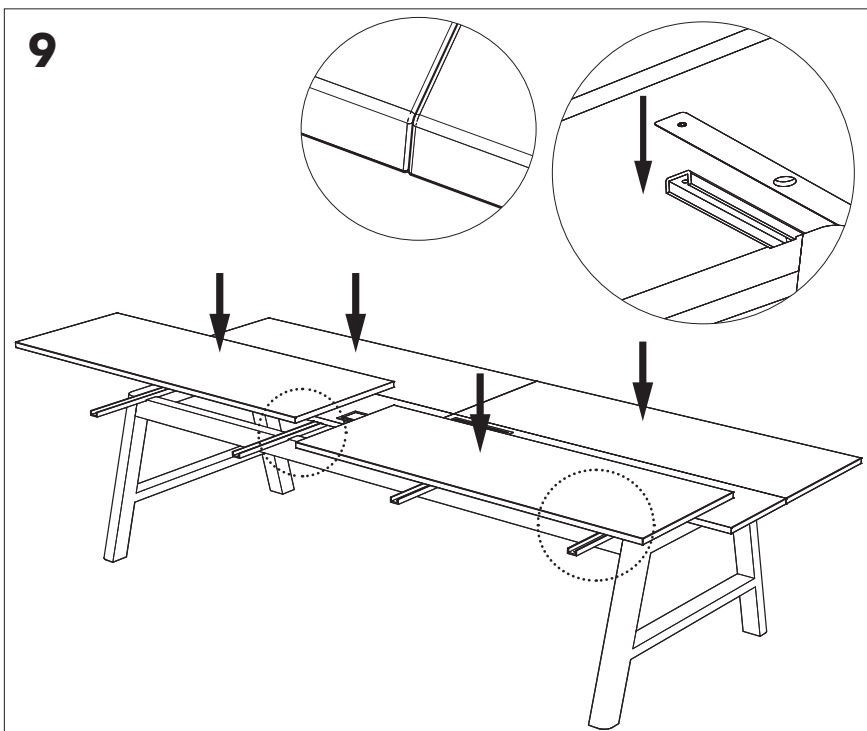
7



8

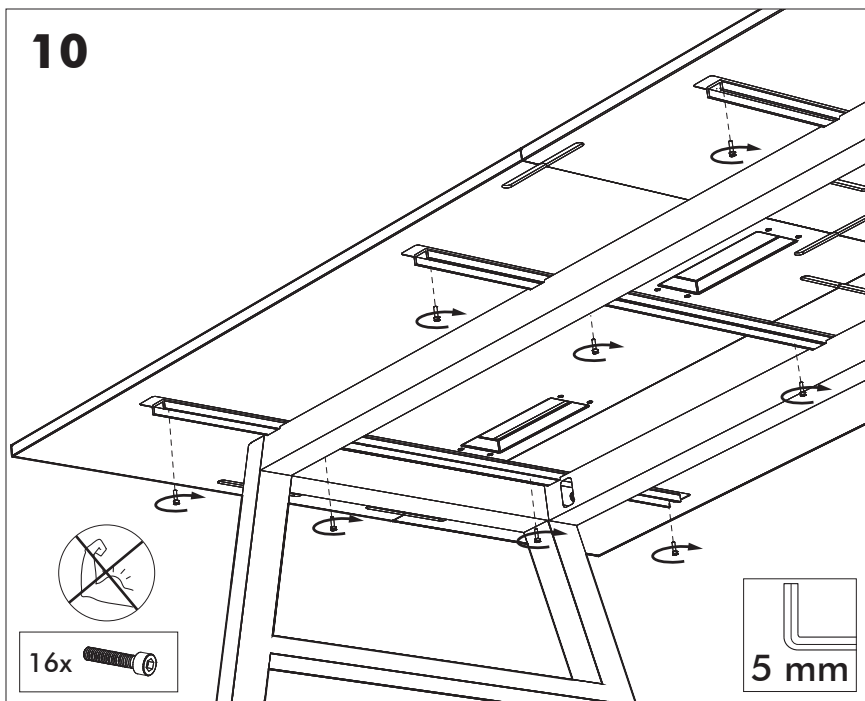


9

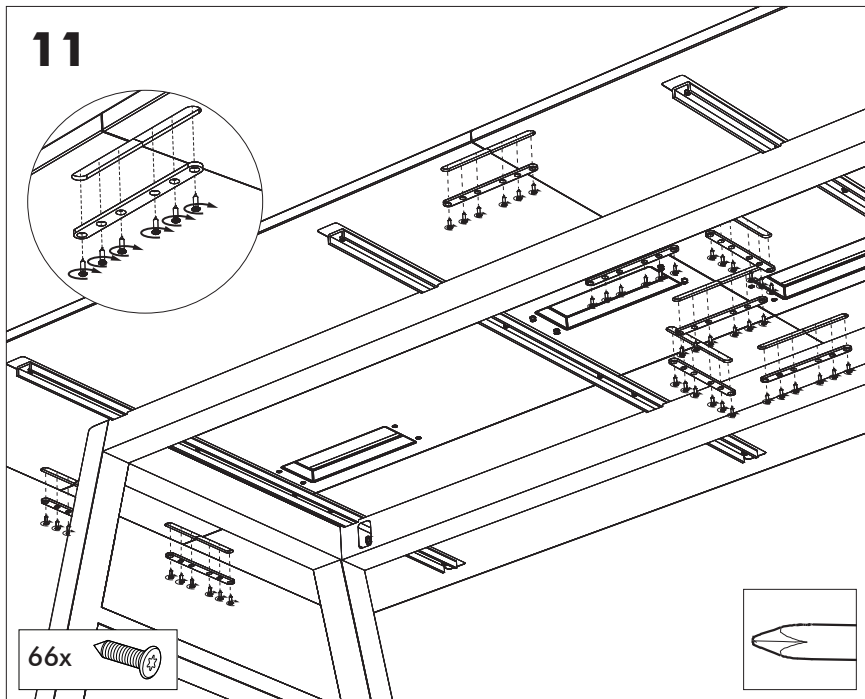




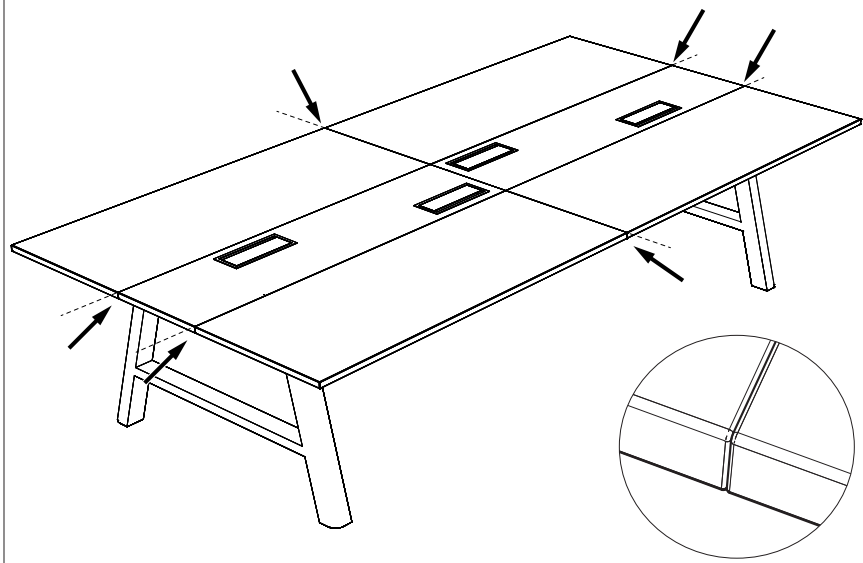
10



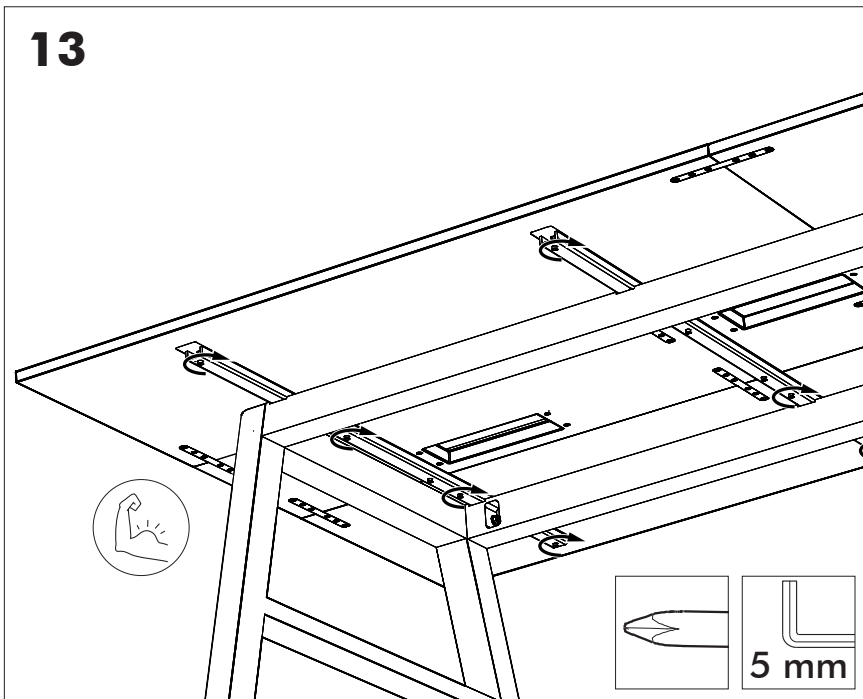
11



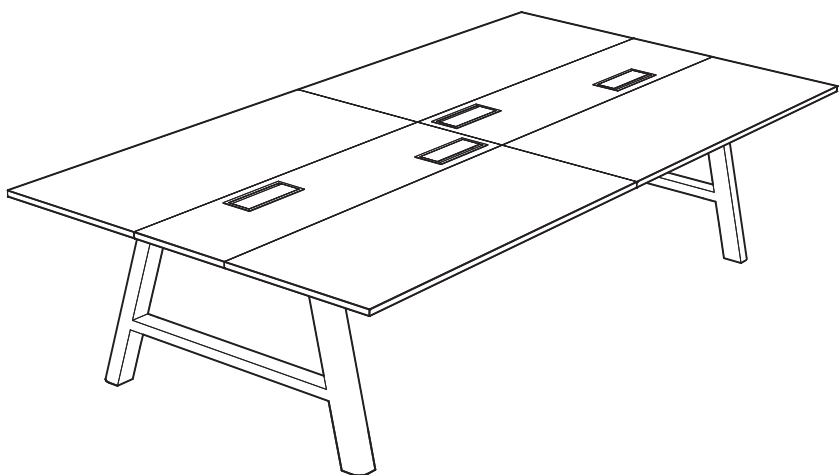
**12**



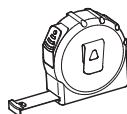
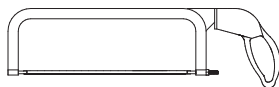
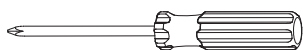
**13**



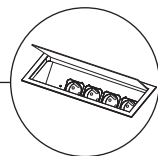
**14**



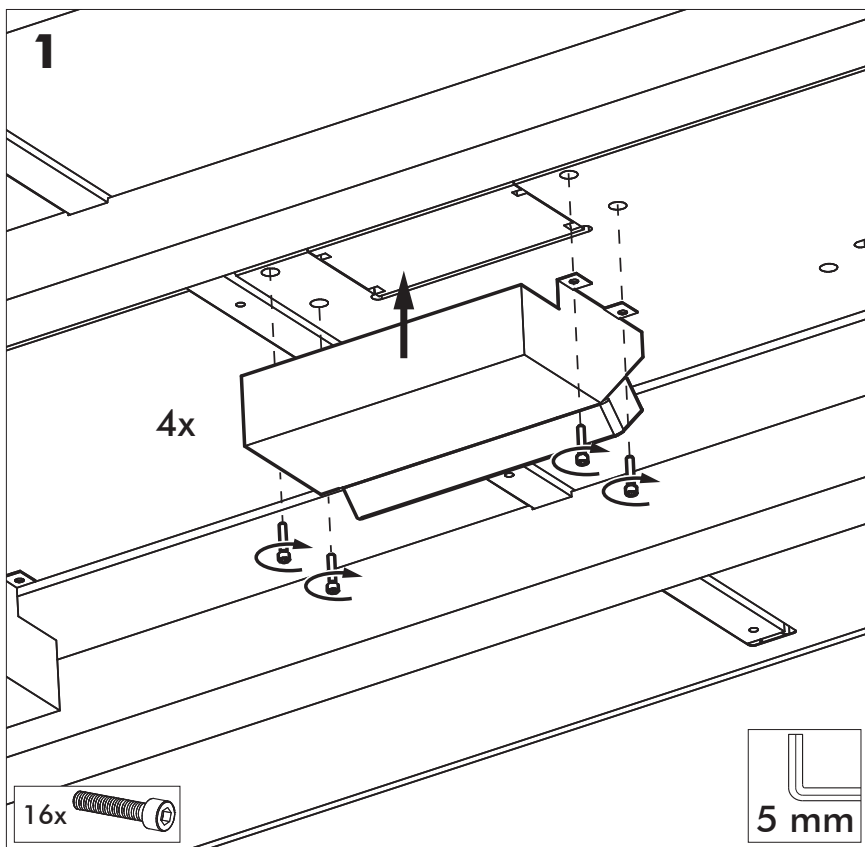
## Excluded



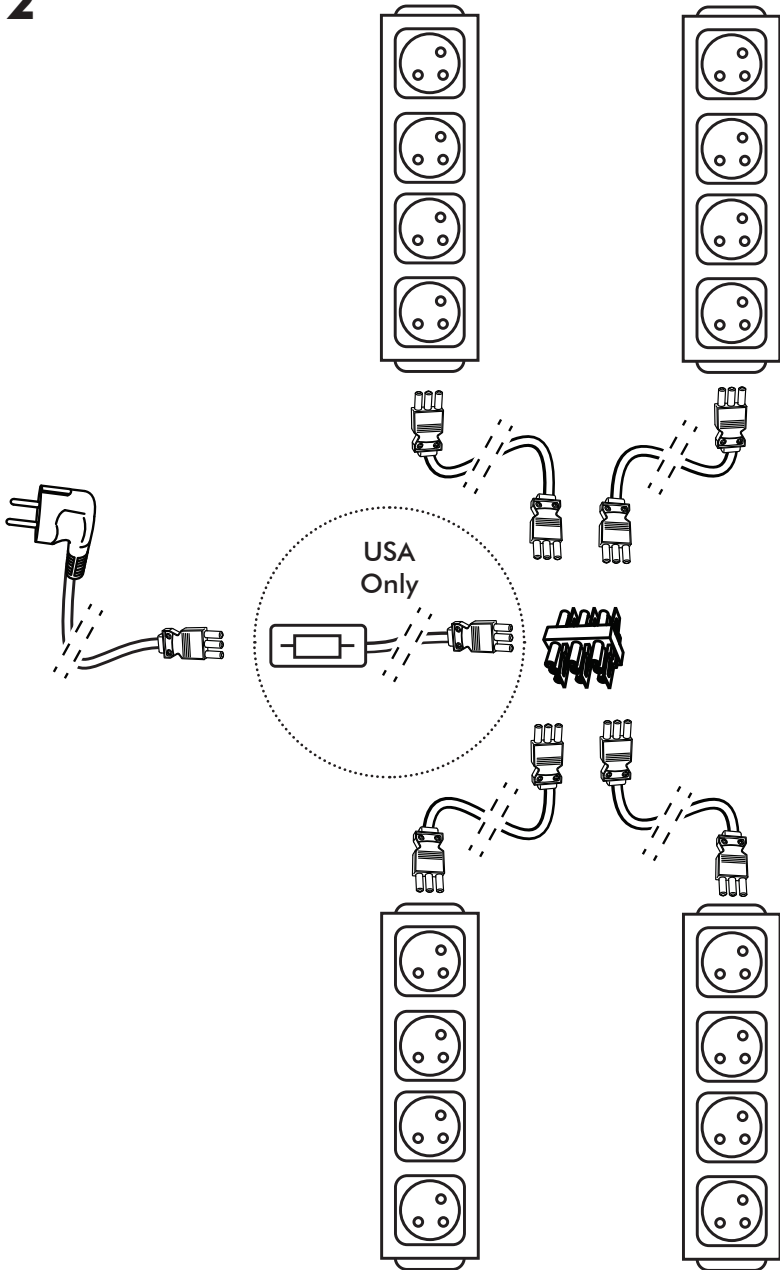
## Optional Electrification

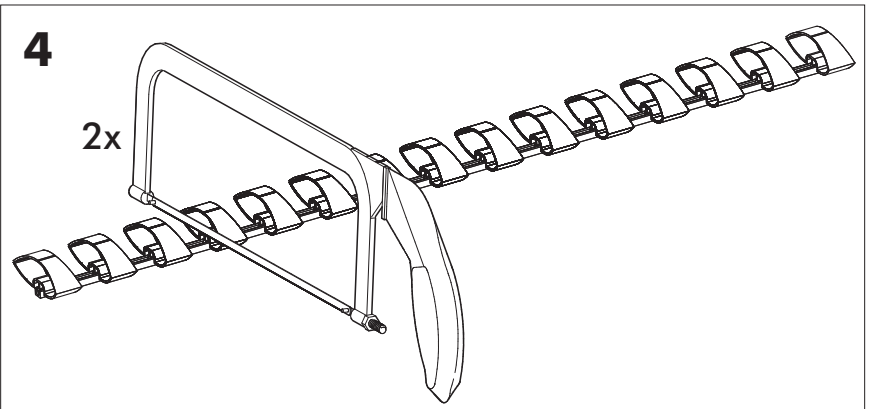
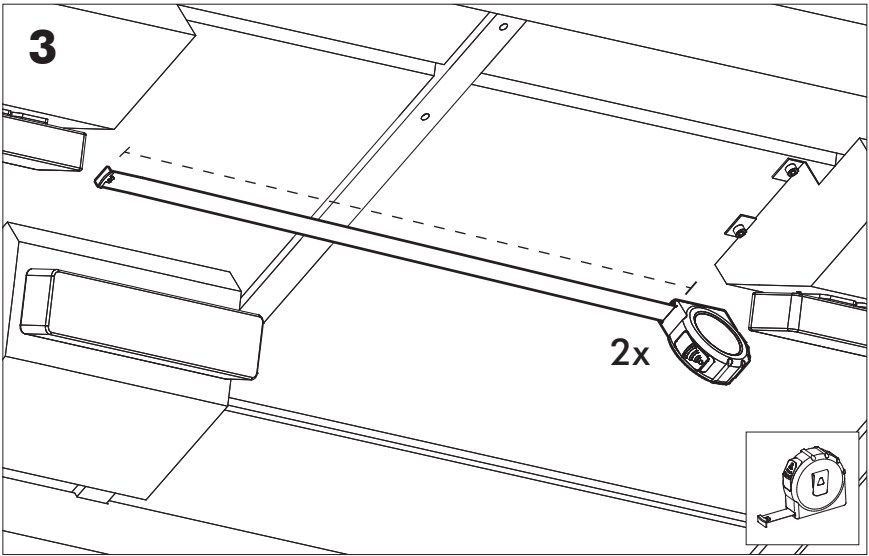
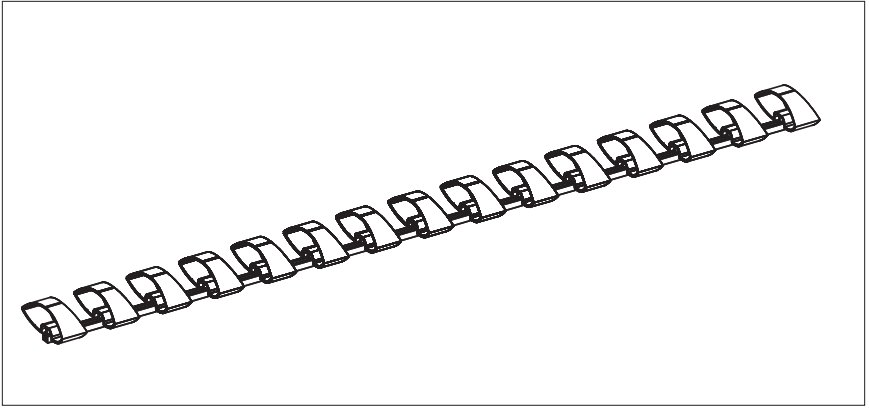


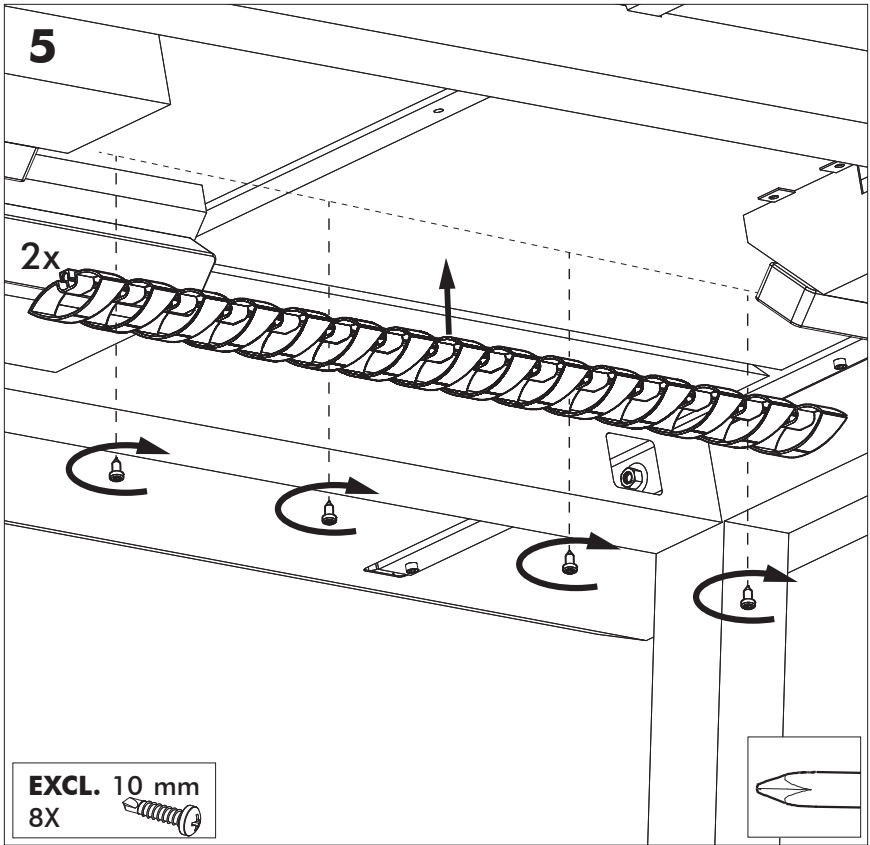
1 PERS. 

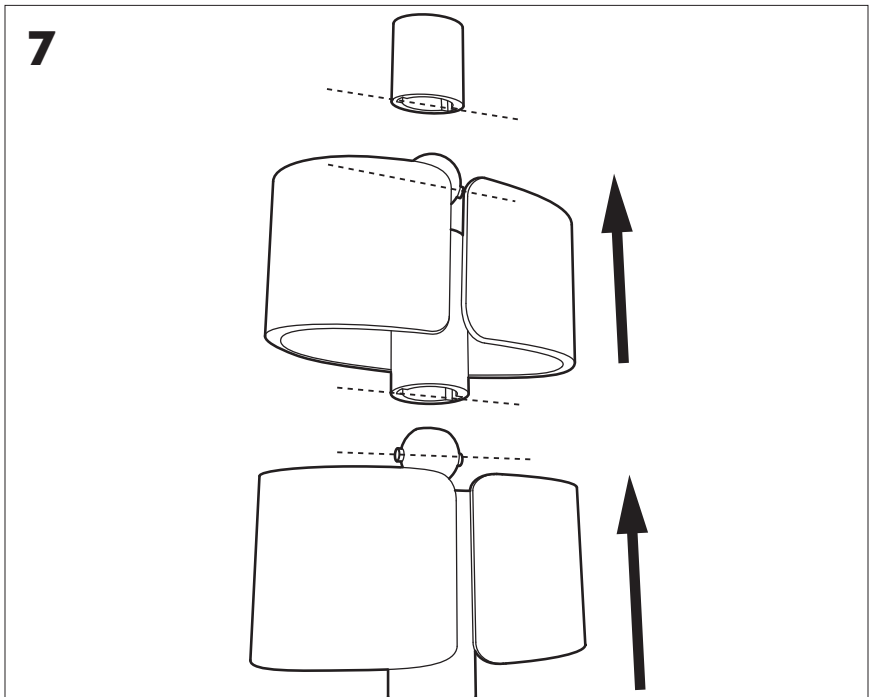
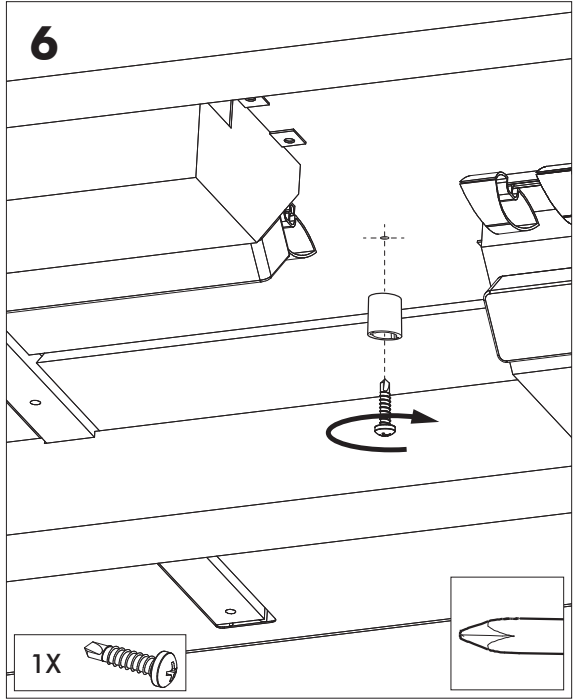
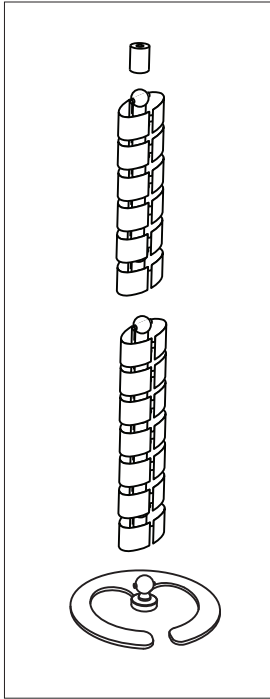


2



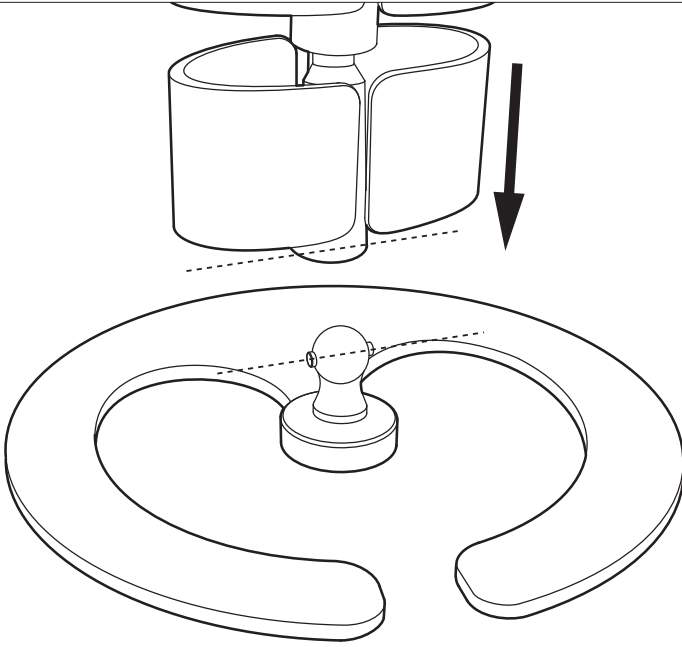




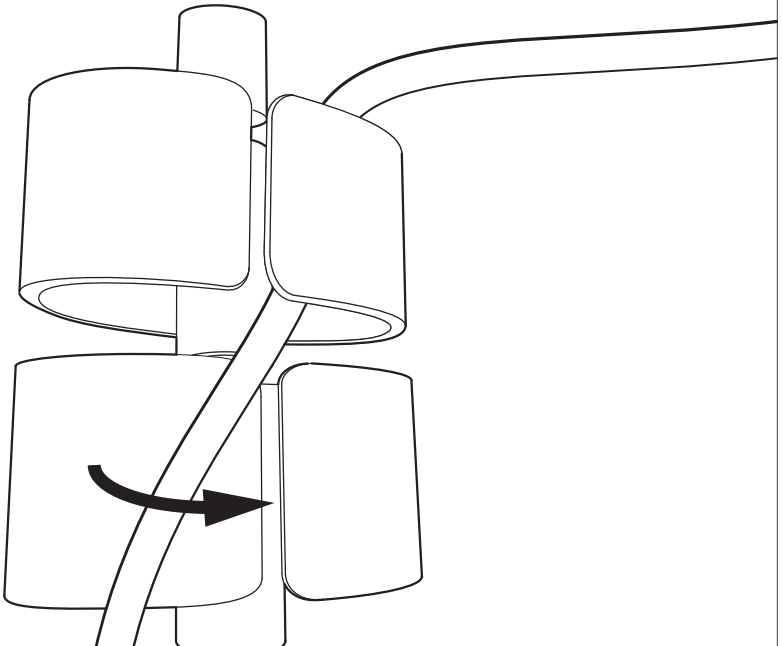




8



9







**BuzziSpace Group NV**  
Italiëlei 8, 2000 Antwerp  
Belgium

☎ +32 (0)3 846 10 00

✉ [info@buzzi.space](mailto:info@buzzi.space)

🌐 [www.buzzi.space](http://www.buzzi.space)



Doc nr.: A-0000001233/04

Last update: 04/12/2023