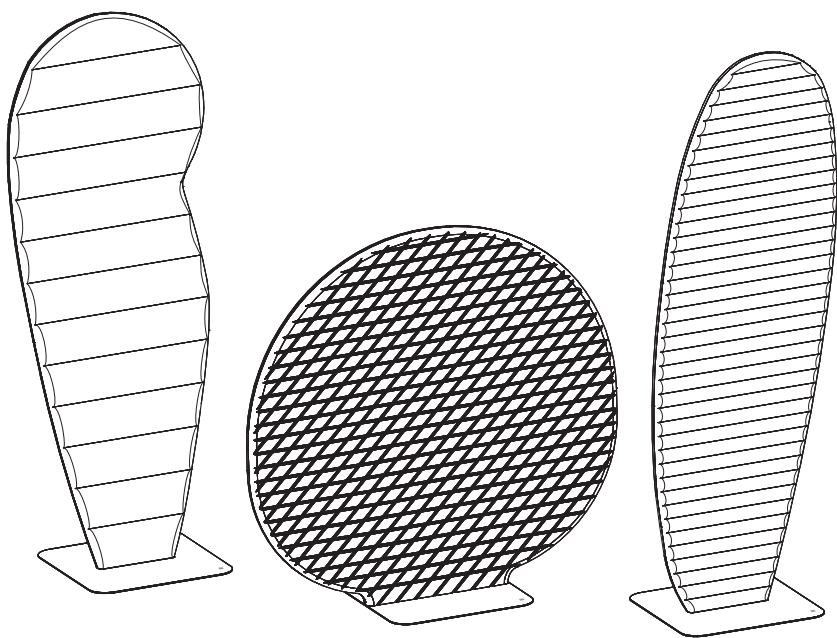


# BuzziPlant

## Doldi | Mobi | Surf

INSTALLATION MANUAL



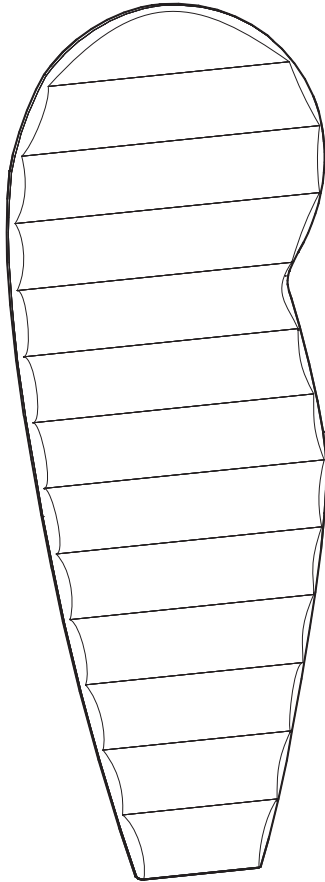
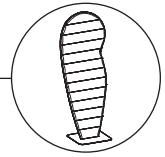
## Excluded

---

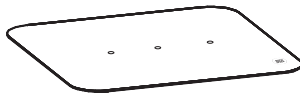
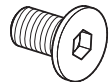


## Included BuzziPlant Doldi

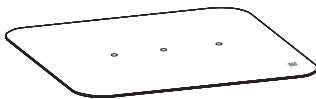
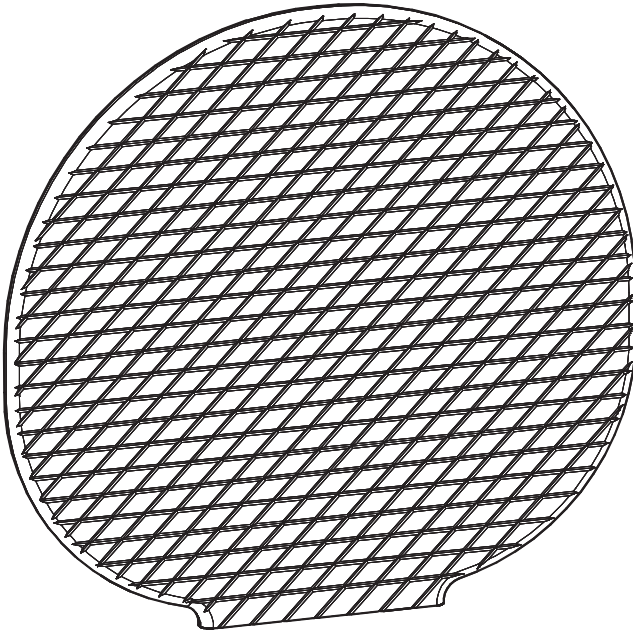
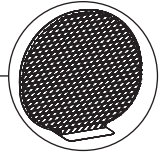
---



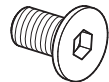
3x



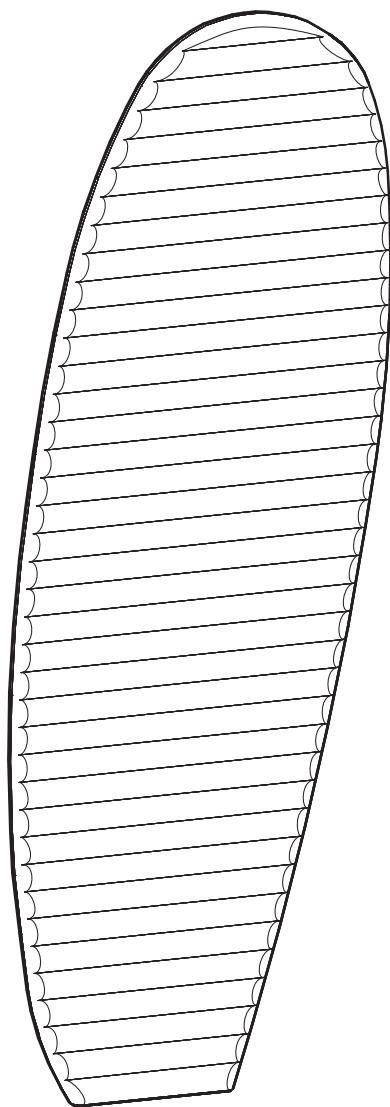
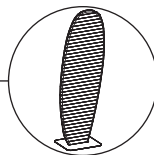
# Included BuzziPlant Mobi



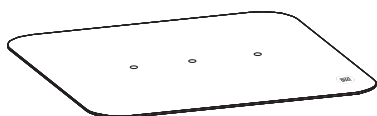
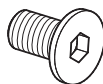
3x



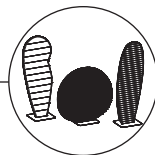
# Included BuzziPlant Surf



3x

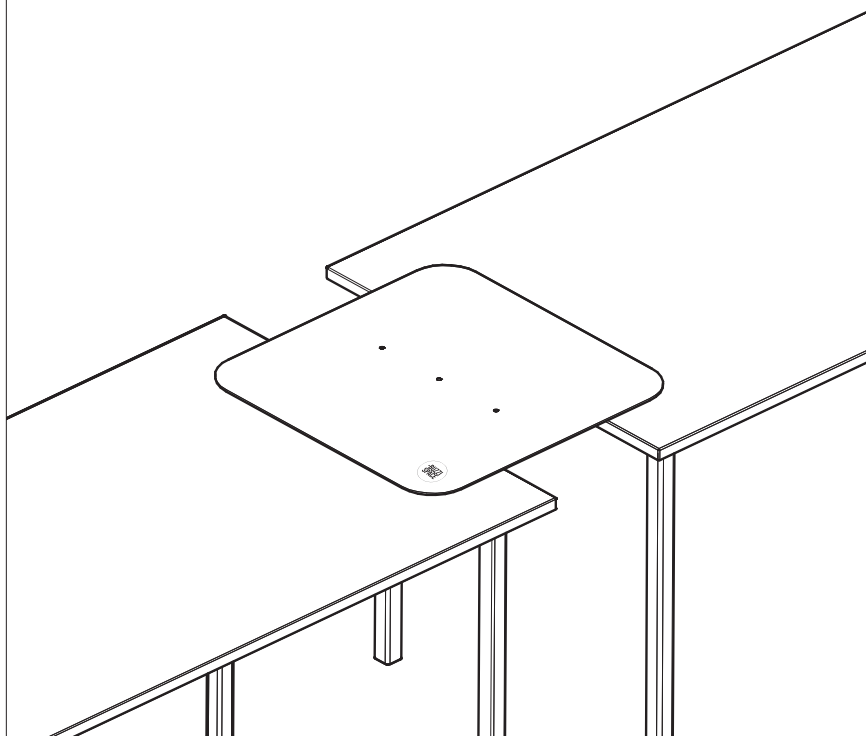
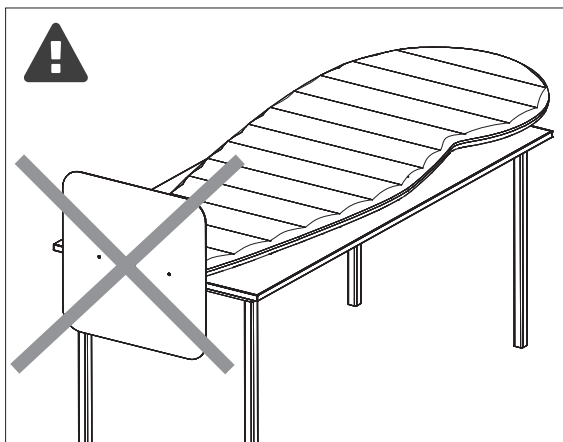


# BuzziPlant Doldi | Mobi | Surf

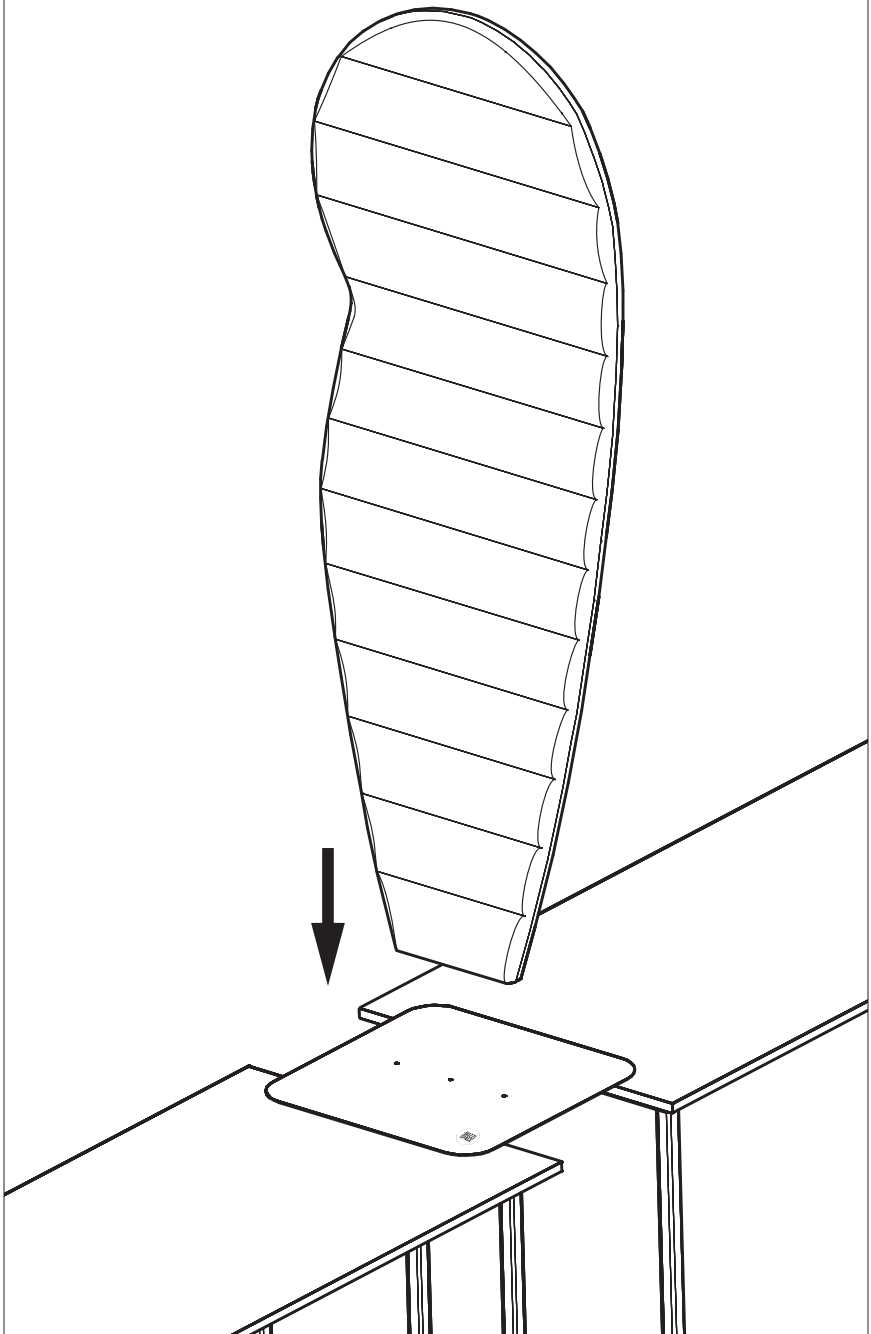


2 PERS.

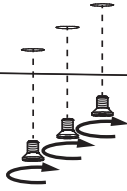
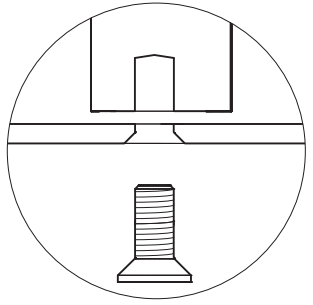
1



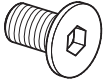
**2**



**3**



**3X**



**4mm**

**BuzziSpace Group NV**  
Italiëlei 8, 2000 Antwerp  
Belgium

☎ +32 (0)3 846 10 00

✉ [info@buzzi.space](mailto:info@buzzi.space)

🌐 [www.buzzi.space](http://www.buzzi.space)



**Doc nr.: A-0000001570/01**  
**Last update: 04/12/2023**