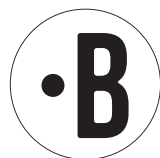
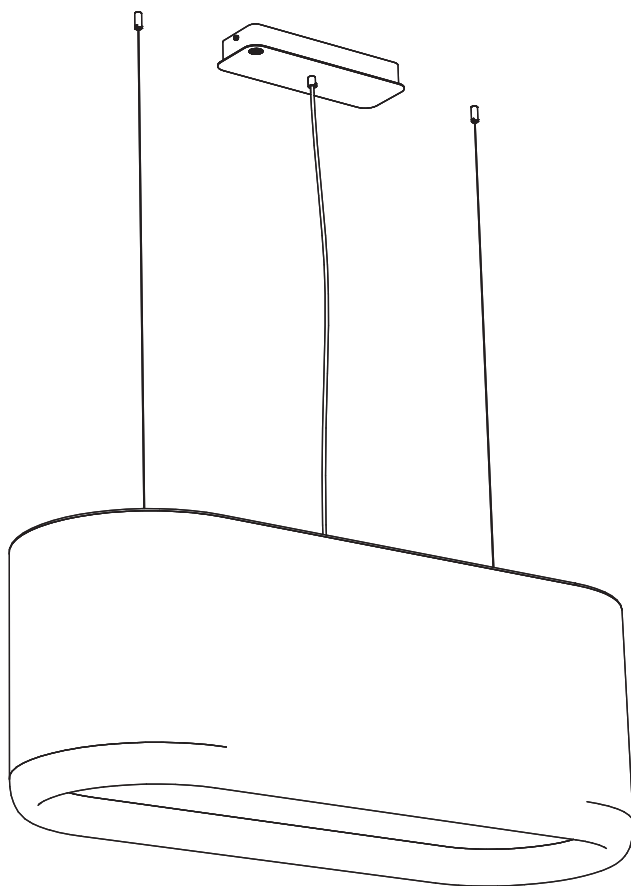


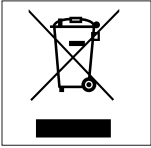
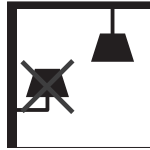
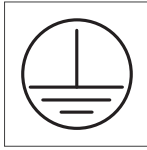
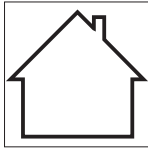
BuzziProp Beam

INSTALLATION MANUAL

220-240V



Technical info



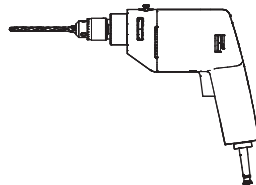
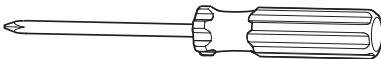
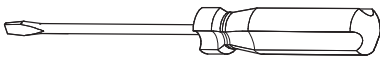
Power factor > 0.8;
Input current: Max 0.35Amp

Environmental Protection

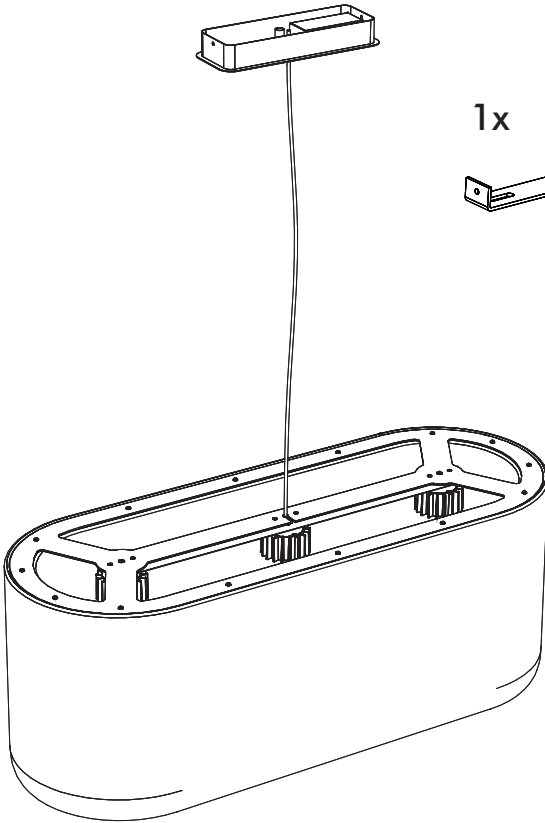
Waste electrical products should not be disposed of with household waste. Please recycle where facilities exist. Check with your Local Authority or retailer for recycling advice.

- ⚠** The light source of this luminaire is not replaceable; when the light source reaches its end of life the whole luminaire shall be replaced.
- ⚠** The BuzziSol is approved to be combined with BuzziShade, BuzziPleat.
- ⚠** The control terminals of LED driver need to use SELV control signal.
- ⚠** If the external flexible cable or cord of this luminaire is damaged, it shall be exclusively replaced by the manufacturer or his service agent or a similar qualified person in order to avoid a hazard."

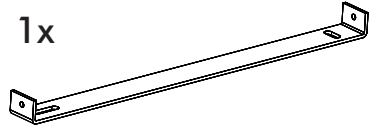
Excluded



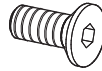
Included BuzziProp Beam Globe | Spot



1x



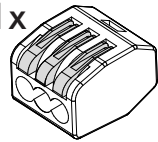
2x



2x



1x

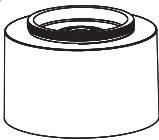


4x



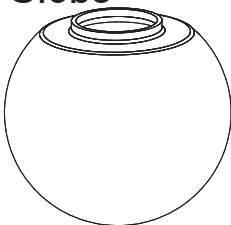
Only if Spot

3x



Only if Globe

3x



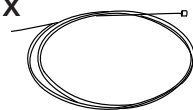
2x

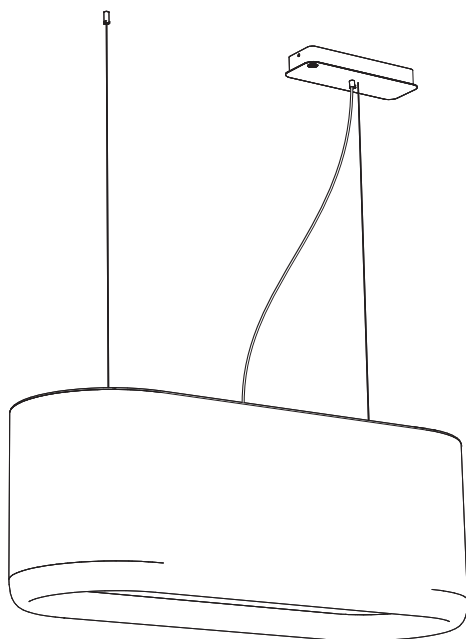
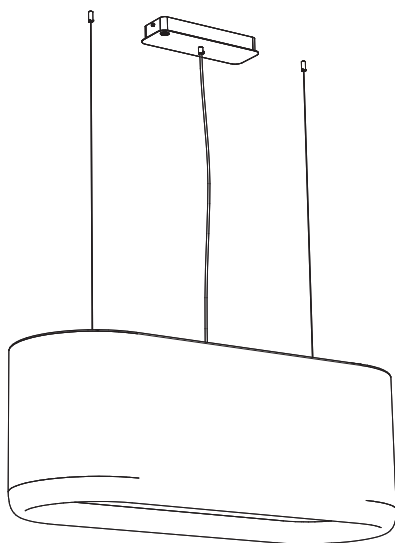


2x



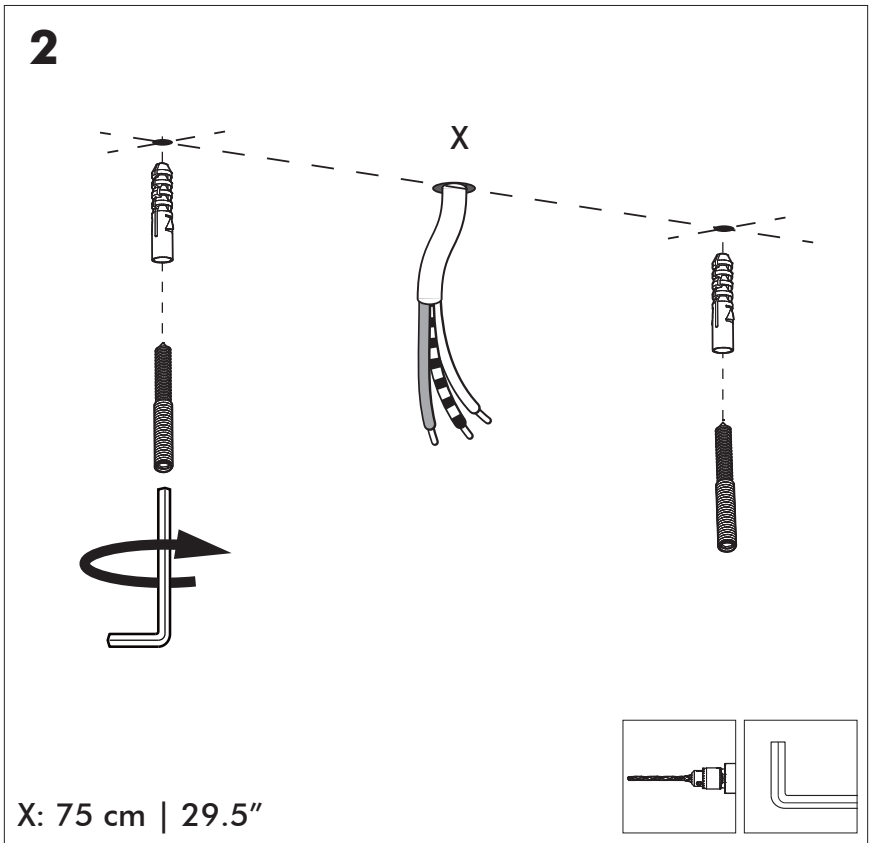
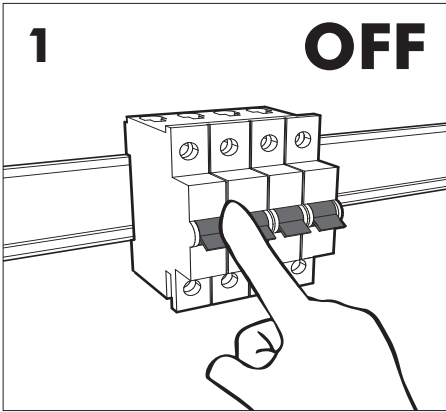
2x



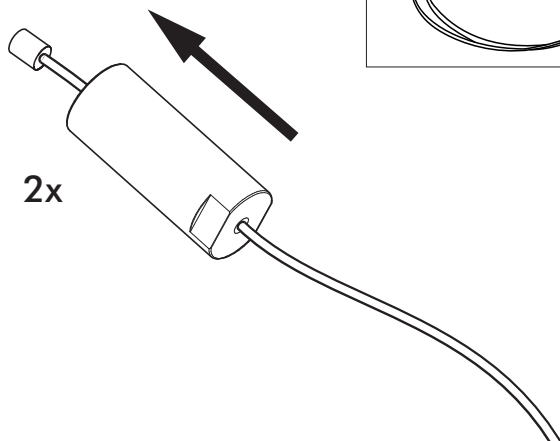


BuzziProp Beam Type A

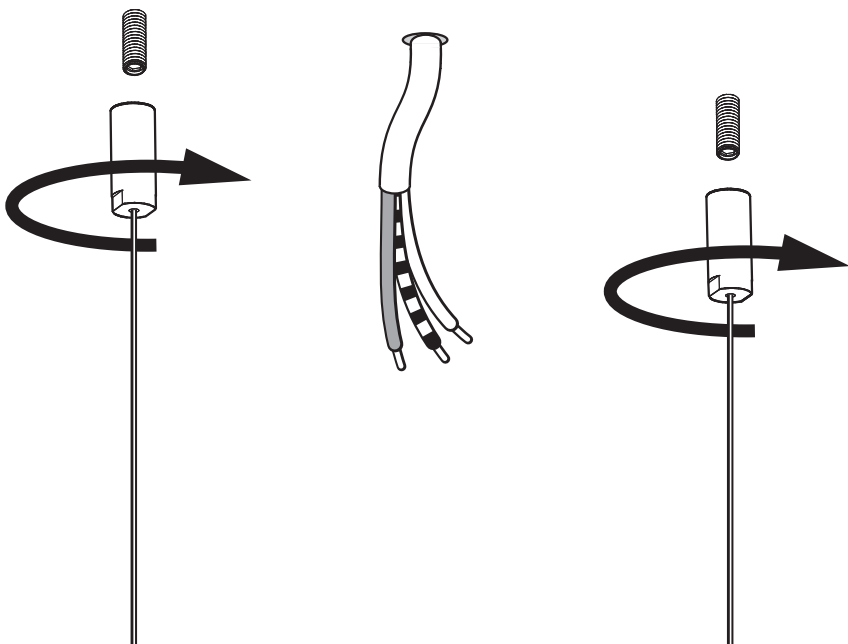
2 PERS. 



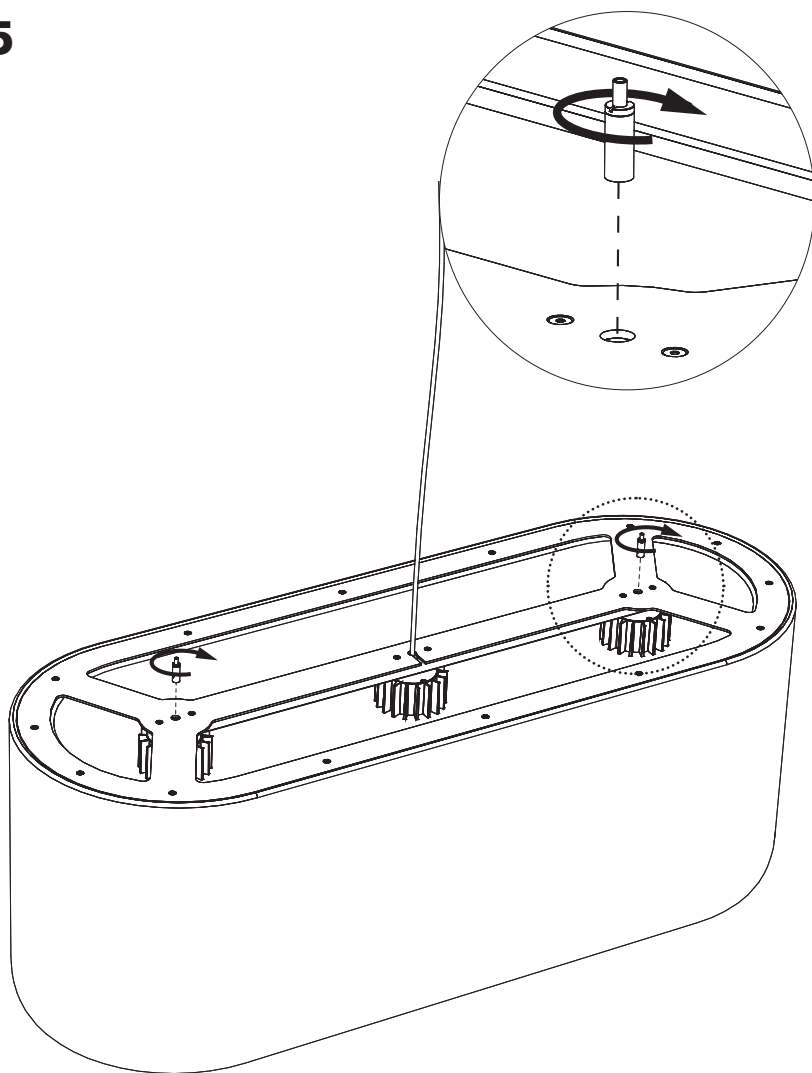
3

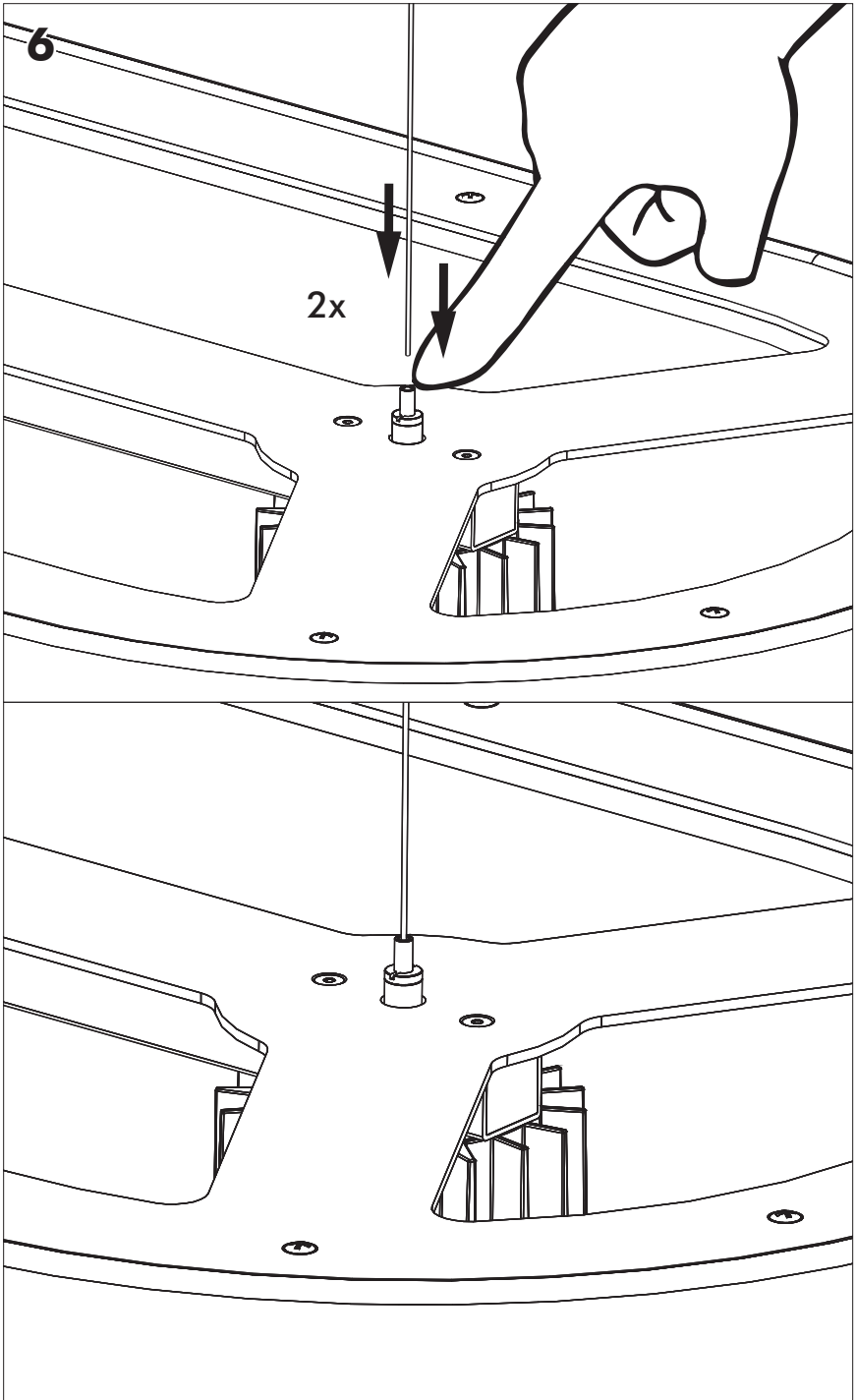


4

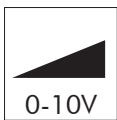


5





7a



0-10V



DALI



DMX



DST

Connection including dimmable function

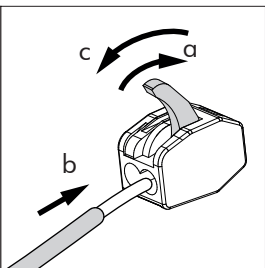


Dim+

Dim-

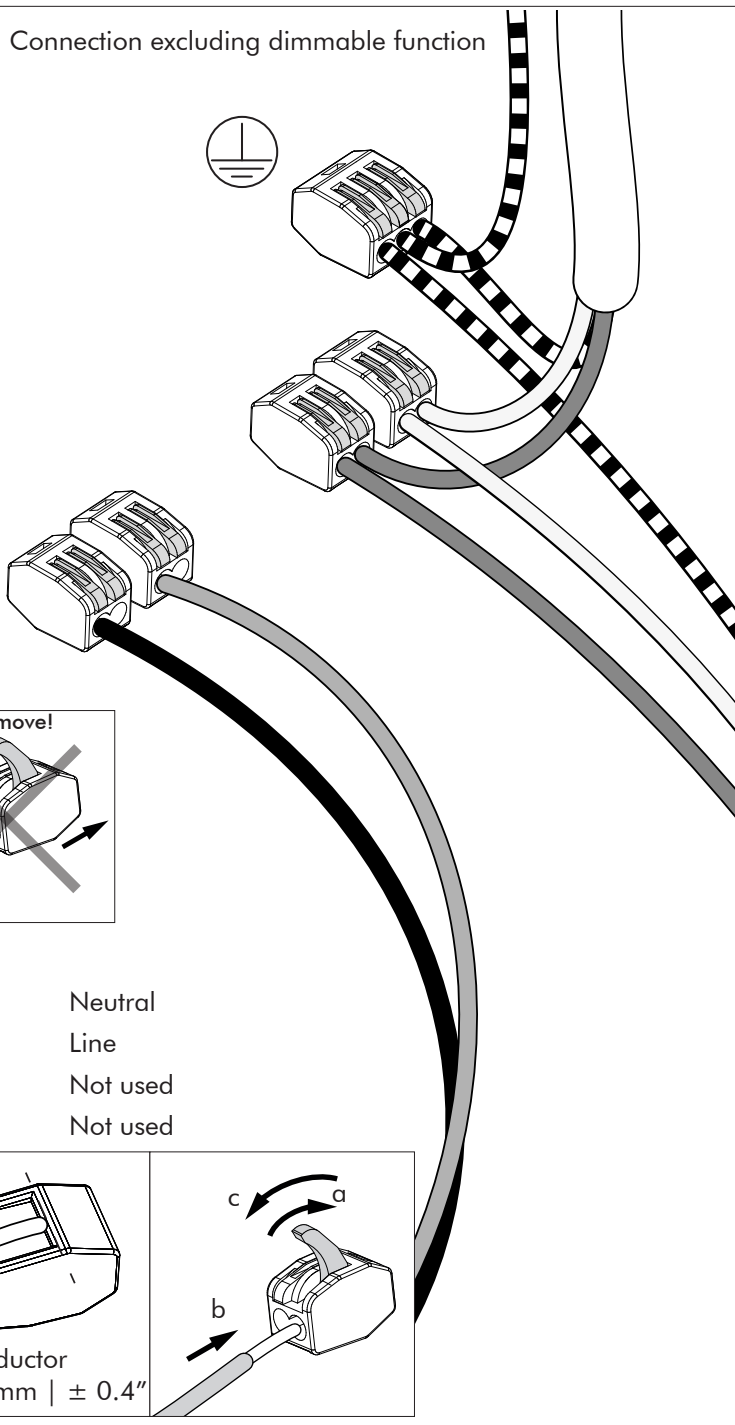
- | | |
|-------|---------|
| Blue | Neutral |
| Brown | Line |
| Red | DIM + |
| Black | DIM - |

Strip conductor
to $\pm 10 \text{ mm}$ | $\pm 0.4''$

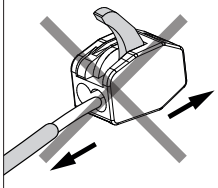


7b

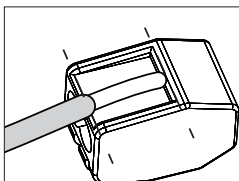
Connection excluding dimmable function



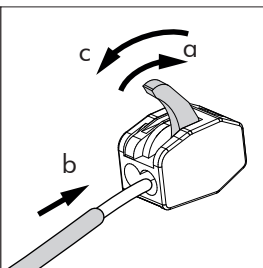
Do not remove!



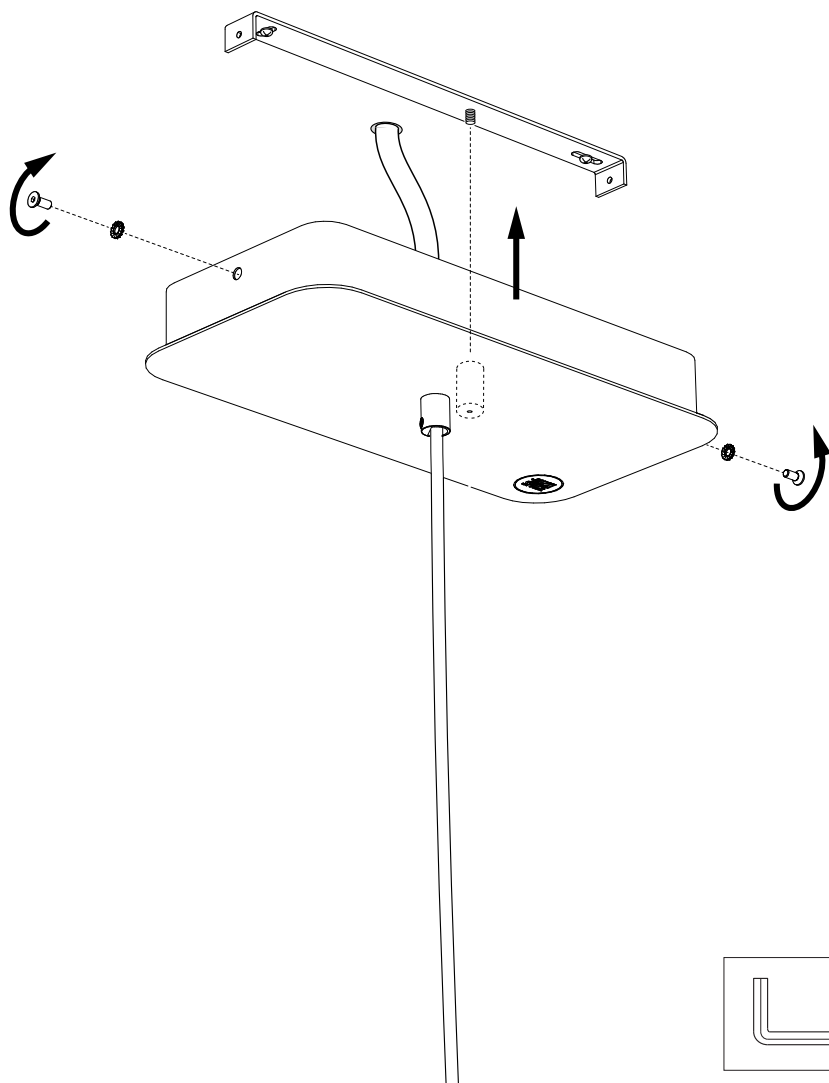
Blue	Neutral
Brown	Line
Red	Not used
Black	Not used



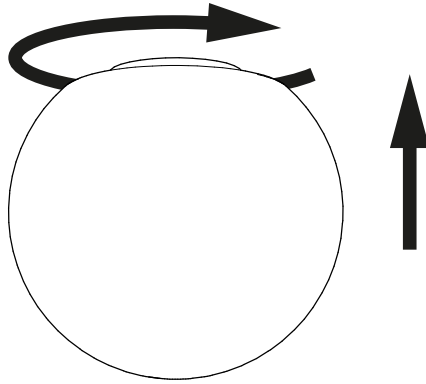
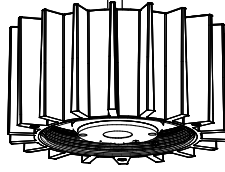
Strip conductor
to $\pm 10 \text{ mm}$ | $\pm 0.4''$



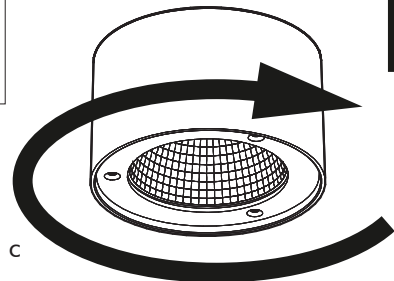
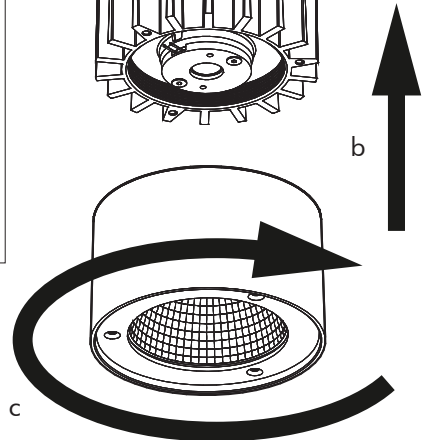
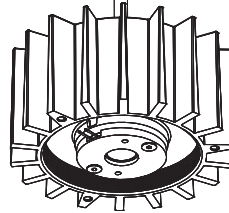
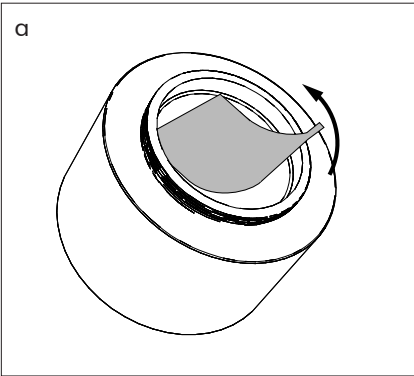
8



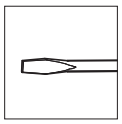
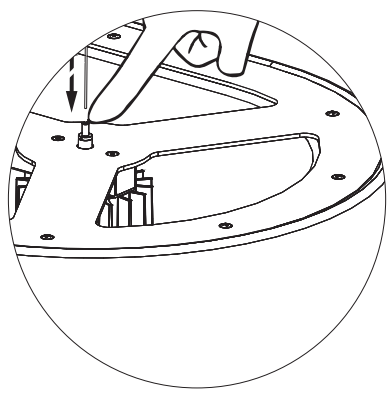
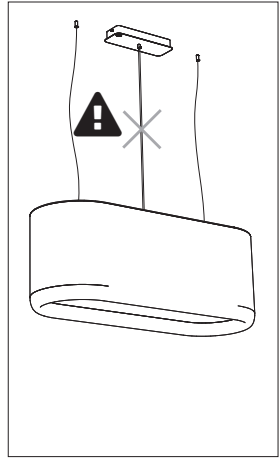
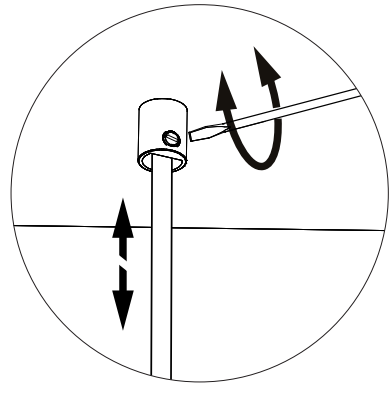
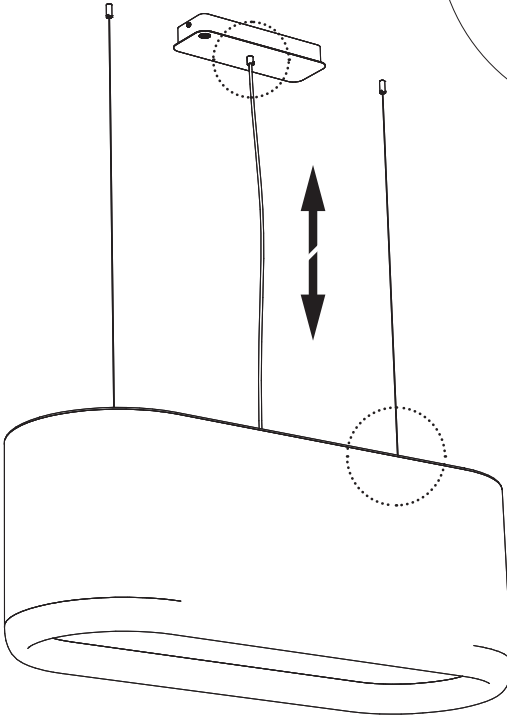
9 BuzziProp Globe



9 BuzziProp Spot

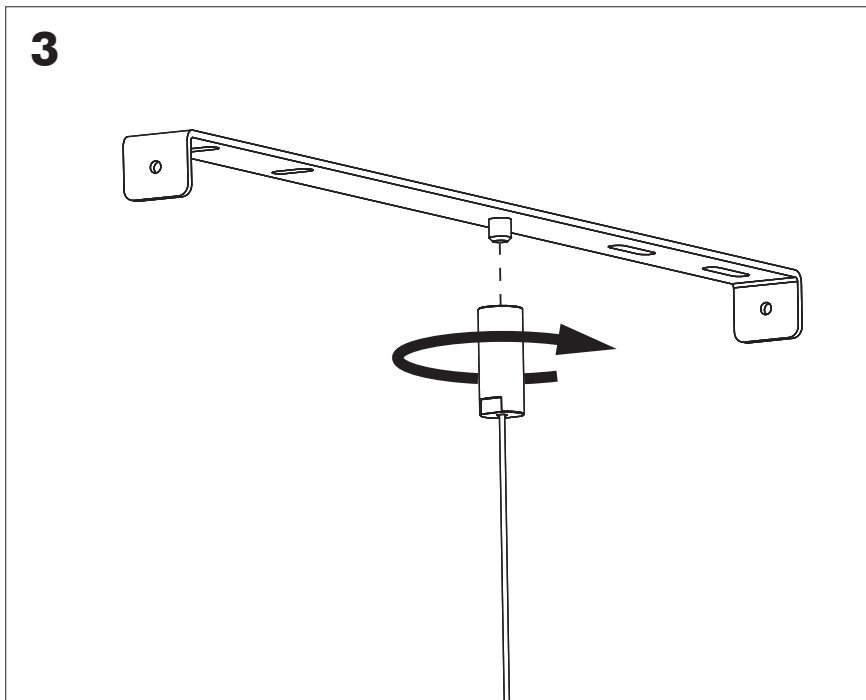
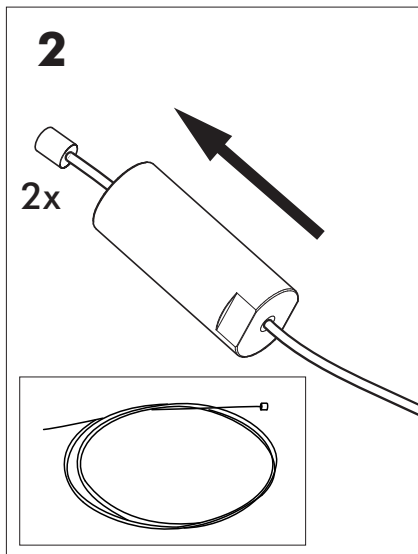
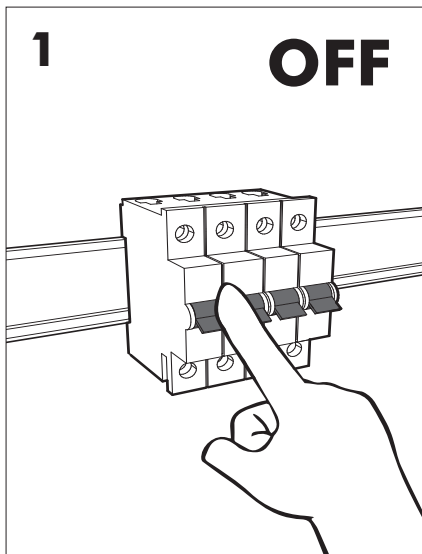


!

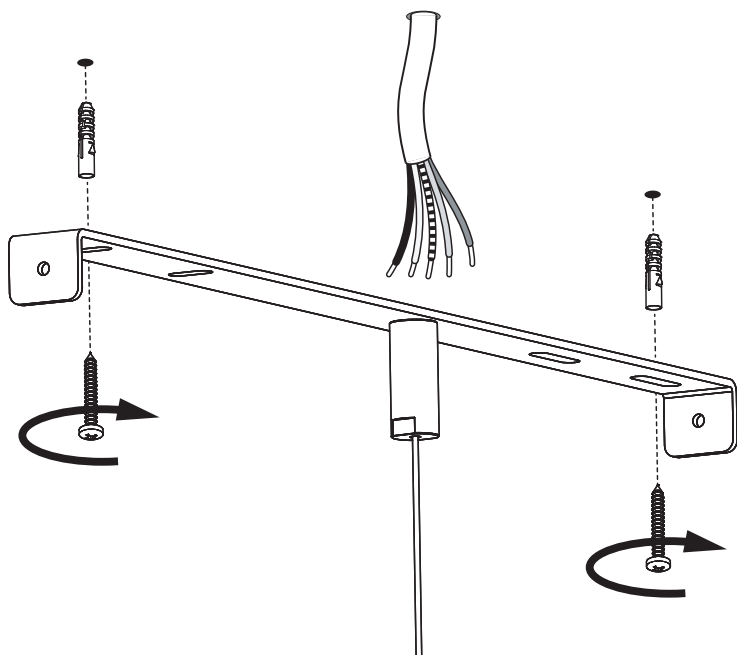


BuzziProp Beam Type B

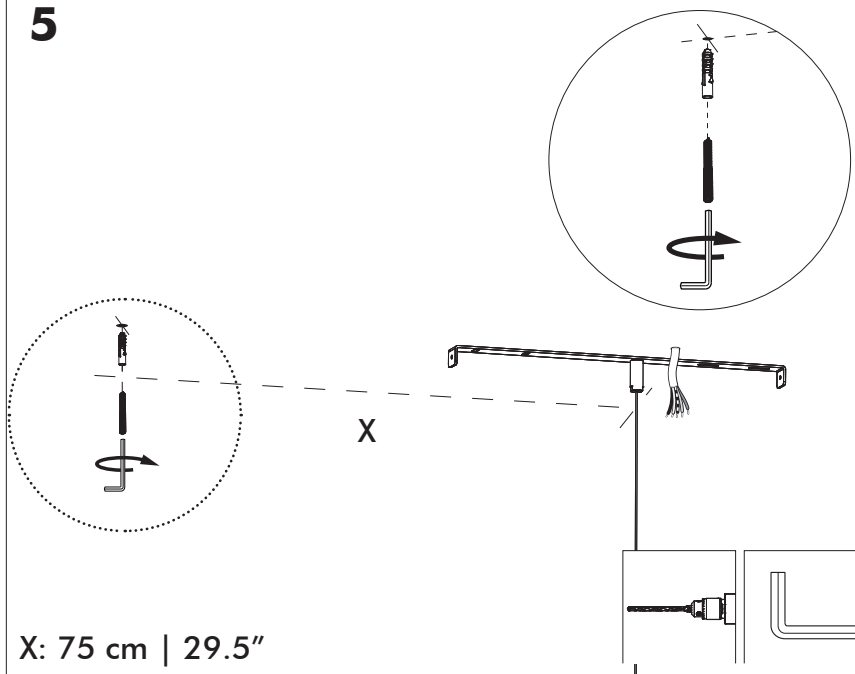
2 PERS. 



4

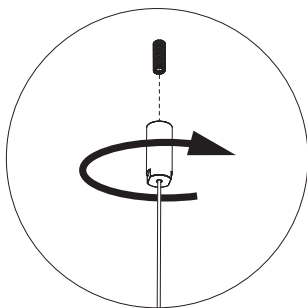
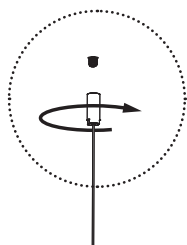


5

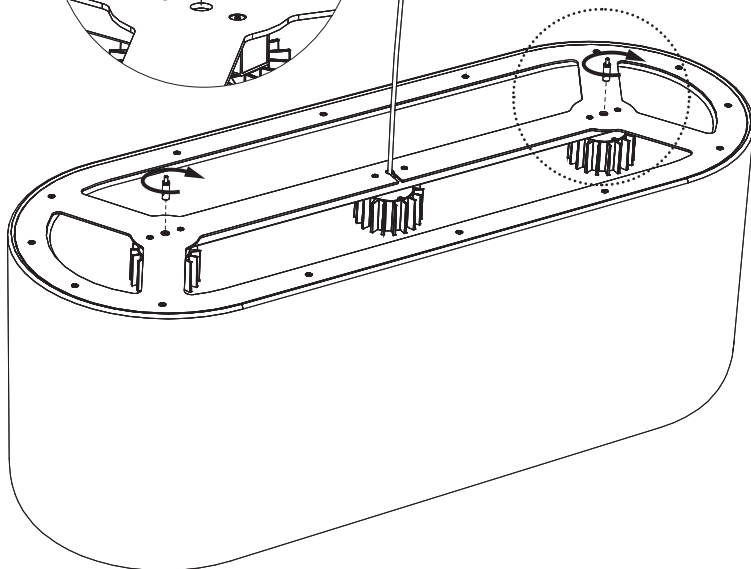
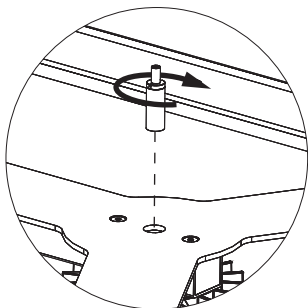


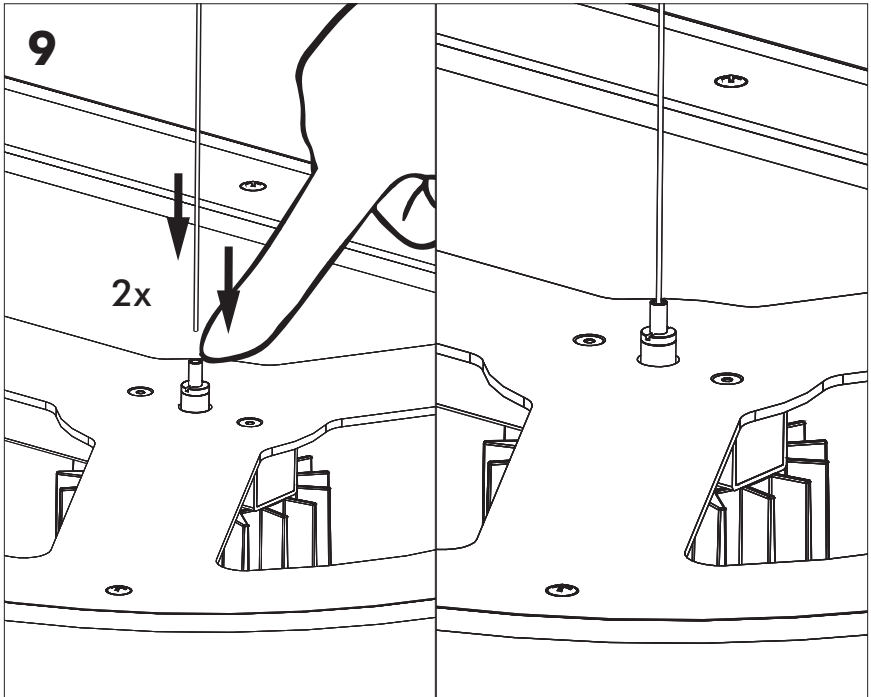
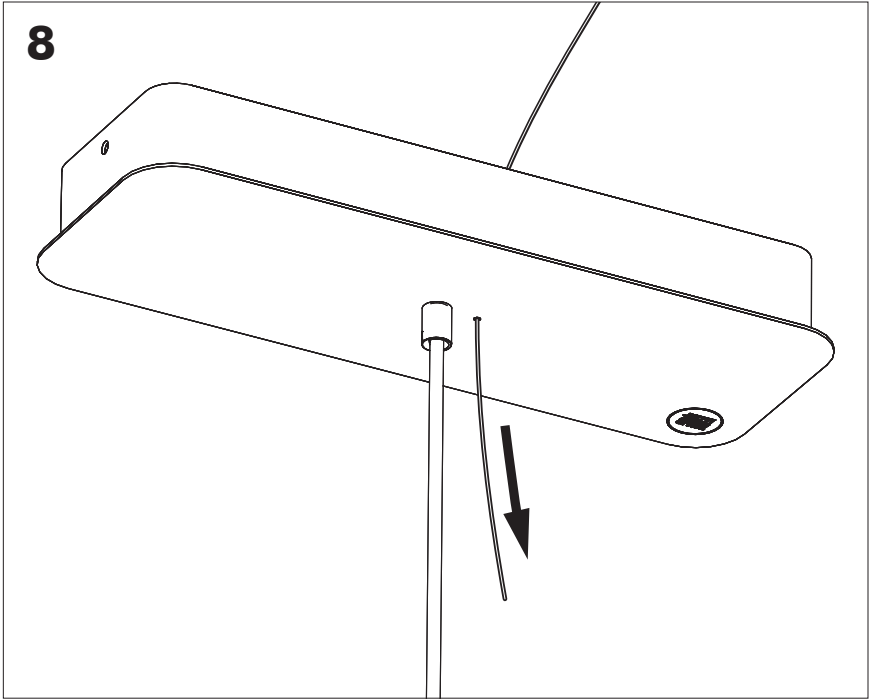
X: 75 cm | 29.5"

6



7





10a



0-10V



DALI



DMX



DST

Connection including dimmable function

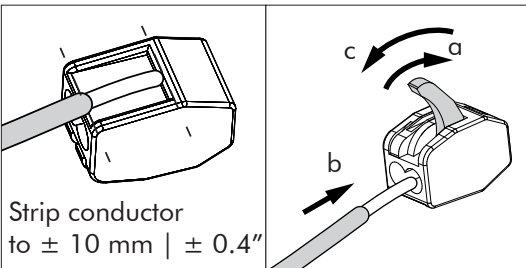


0-10V

Dim+

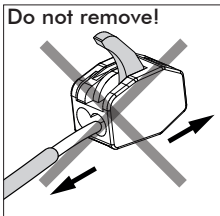
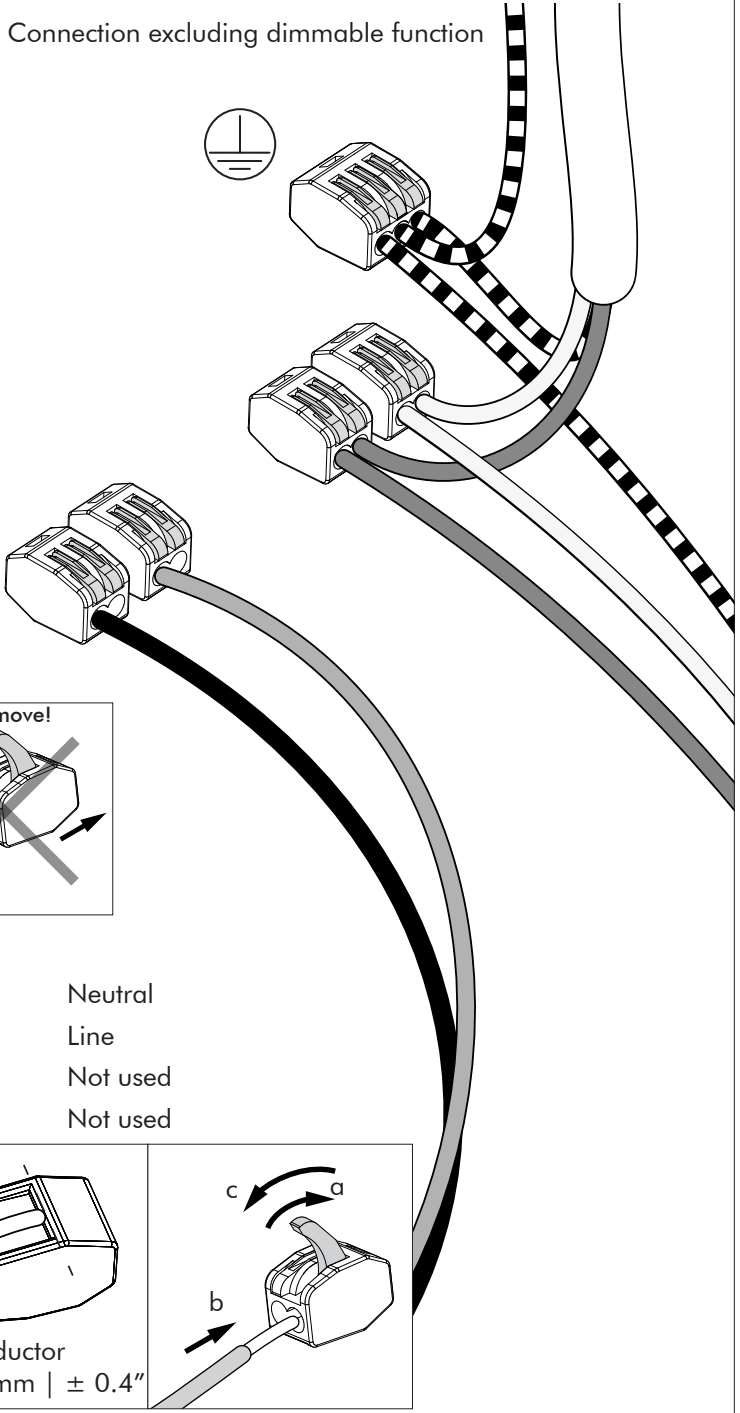
Dim-

- | | |
|-------|---------|
| Blue | Neutral |
| Brown | Line |
| Red | DIM + |
| Black | DIM - |

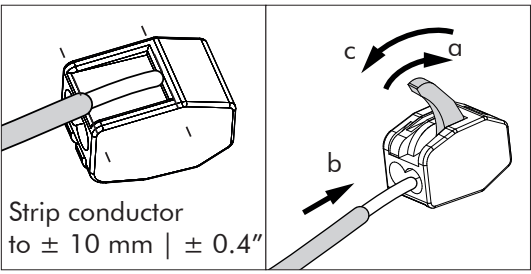


Strip conductor
to $\pm 10 \text{ mm}$ | $\pm 0.4''$

10b Connection excluding dimmable function

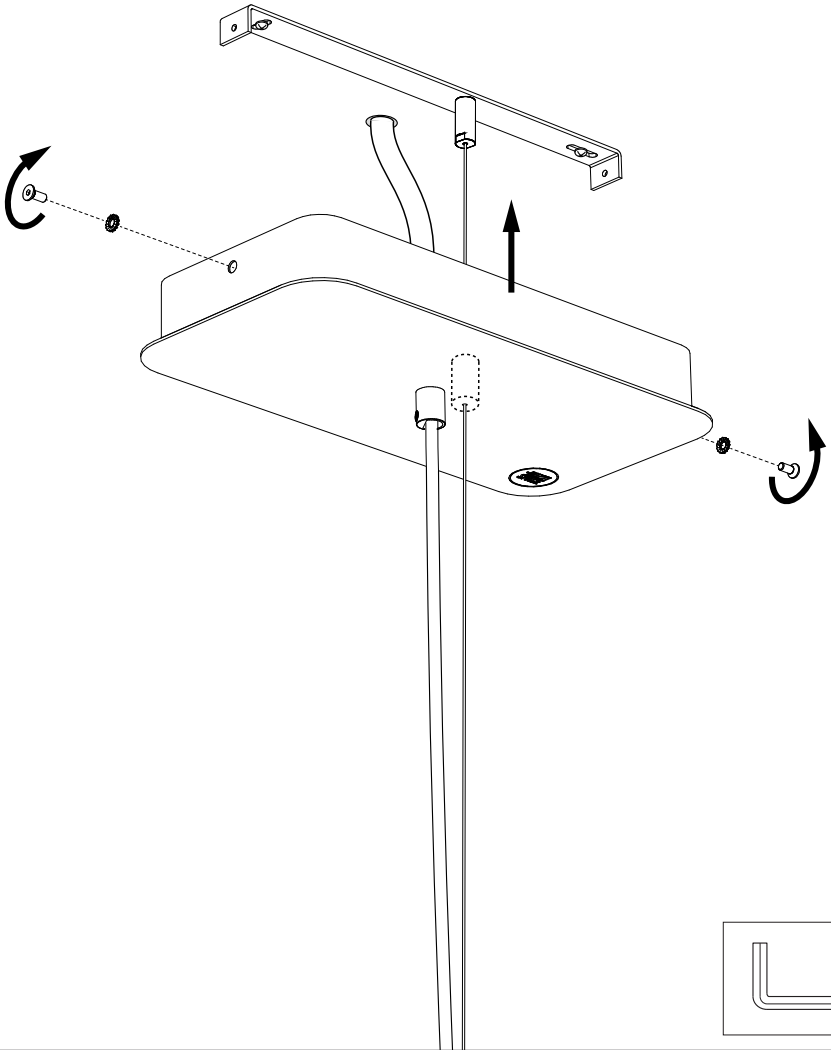


Blue	Neutral
Brown	Line
Red	Not used
Black	Not used

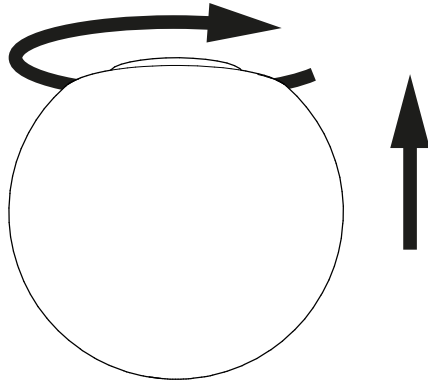
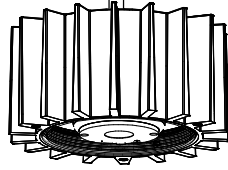


Strip conductor to $\pm 10 \text{ mm}$ | $\pm 0.4''$

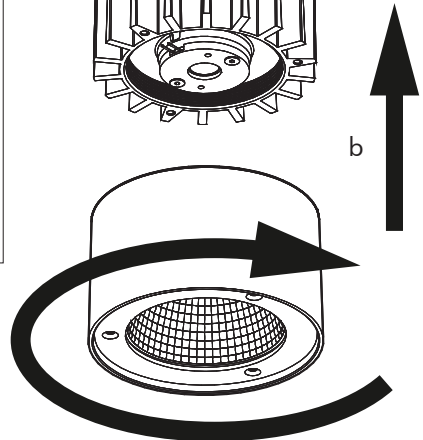
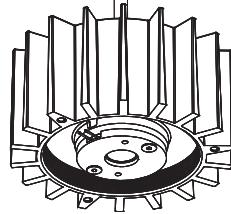
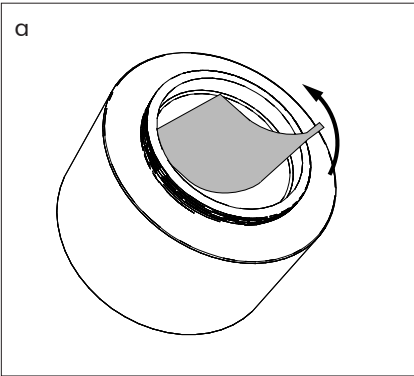
11



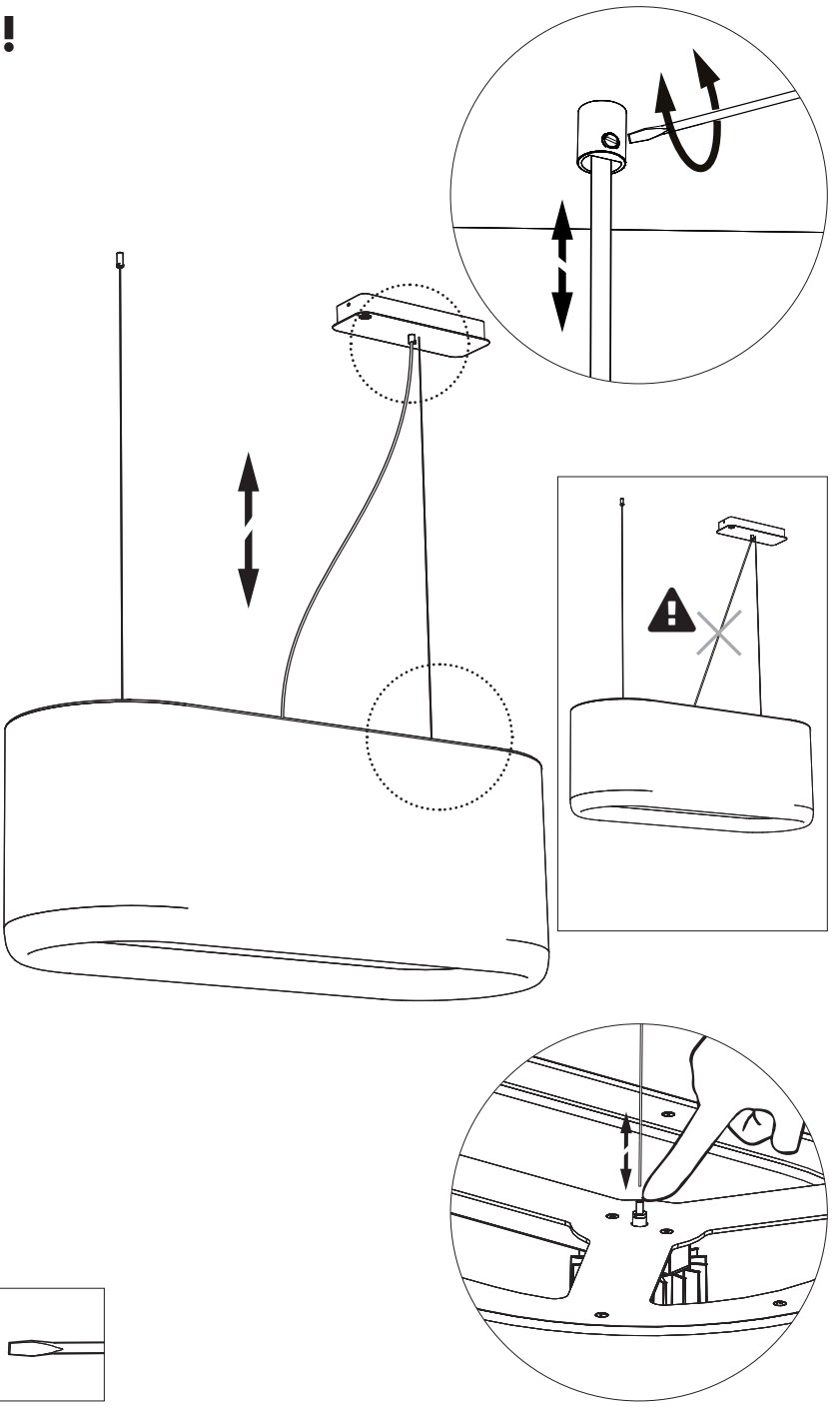
12 BuzziProp Globe



12 BuzziProp Spot



!



BuzziSpace Group NV
Italiëlei 8, 2000 Antwerp
Belgium

☎ +32 (0)3 846 10 00

✉ info@buzzi.space

🌐 www.buzzi.space



A-0000007363/01

Last update: 04/12/2023