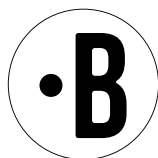
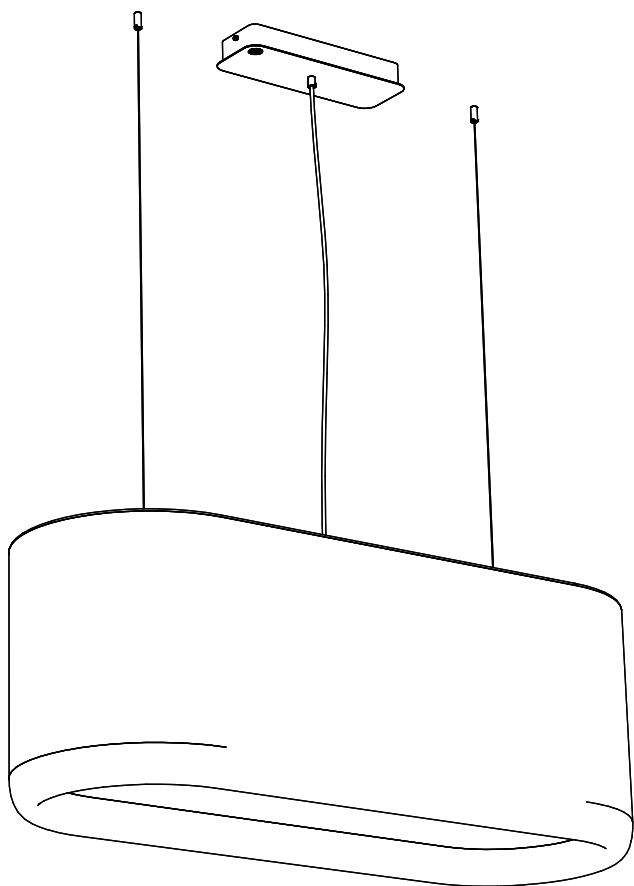


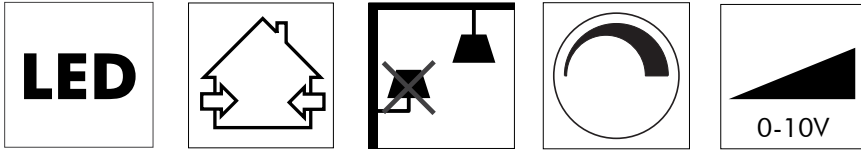
BuzziProp Beam

INSTALLATION MANUAL

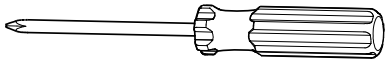
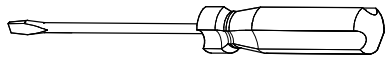
100V-240V/277V



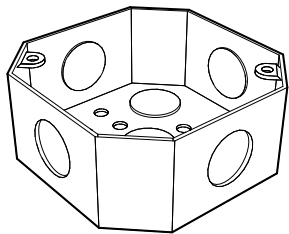
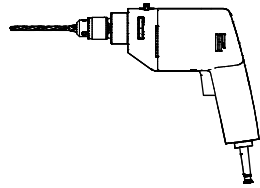
Technical info



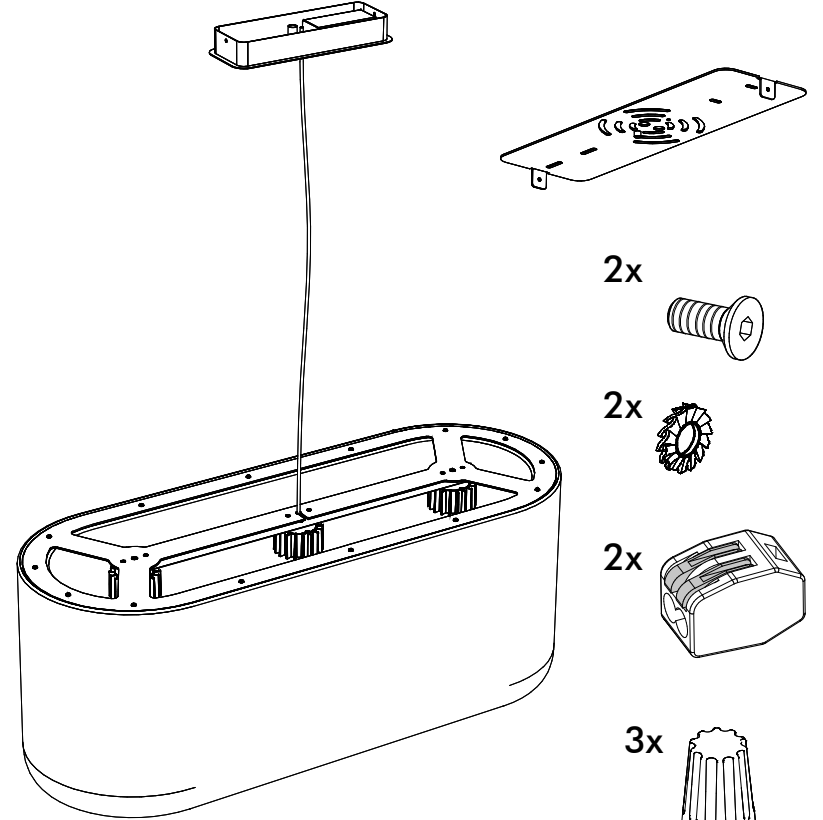
Excluded



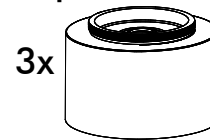
2x



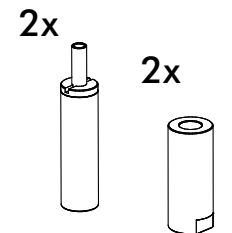
Included BuzziProp Beam Globe | Spot



Only if Spot

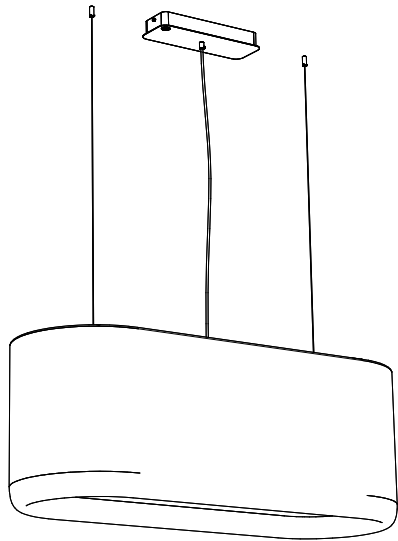


Only if Globe



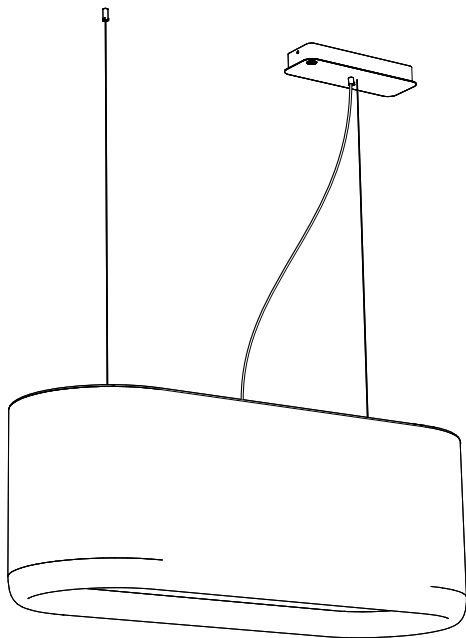
Configuration Type A

P.5



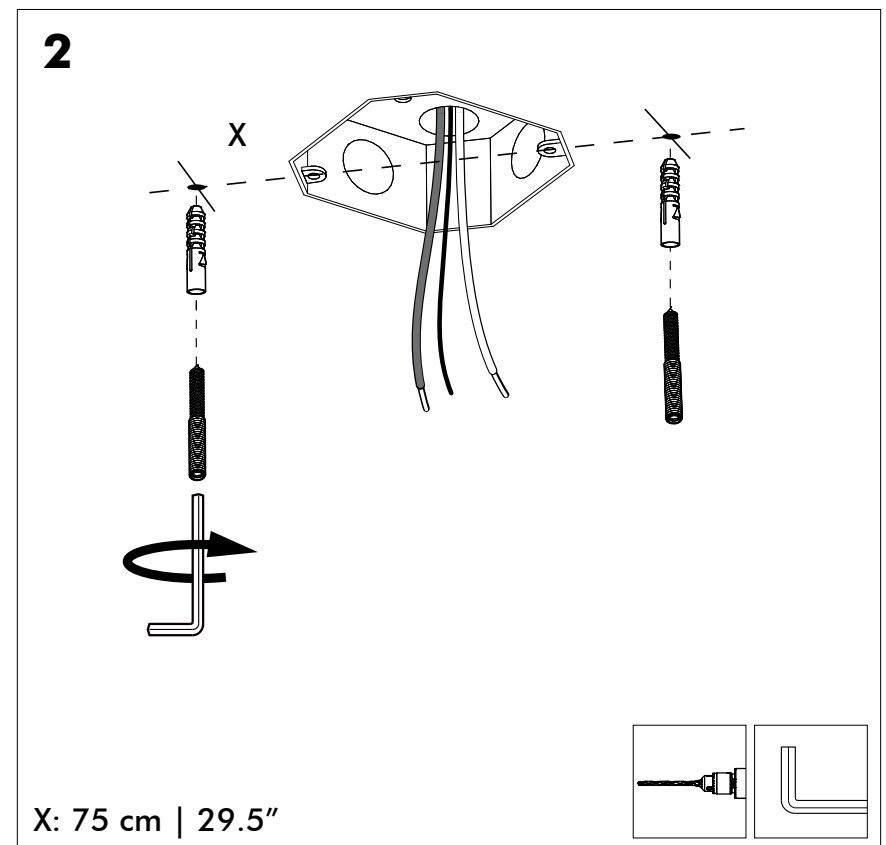
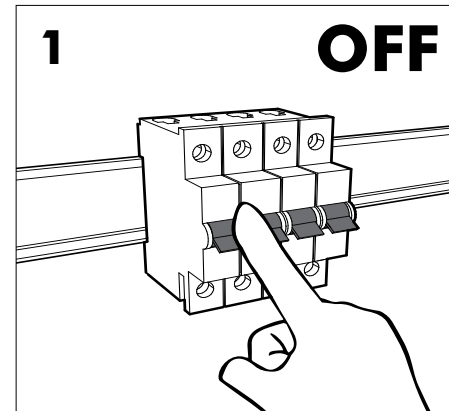
Configuration Type B

P.14

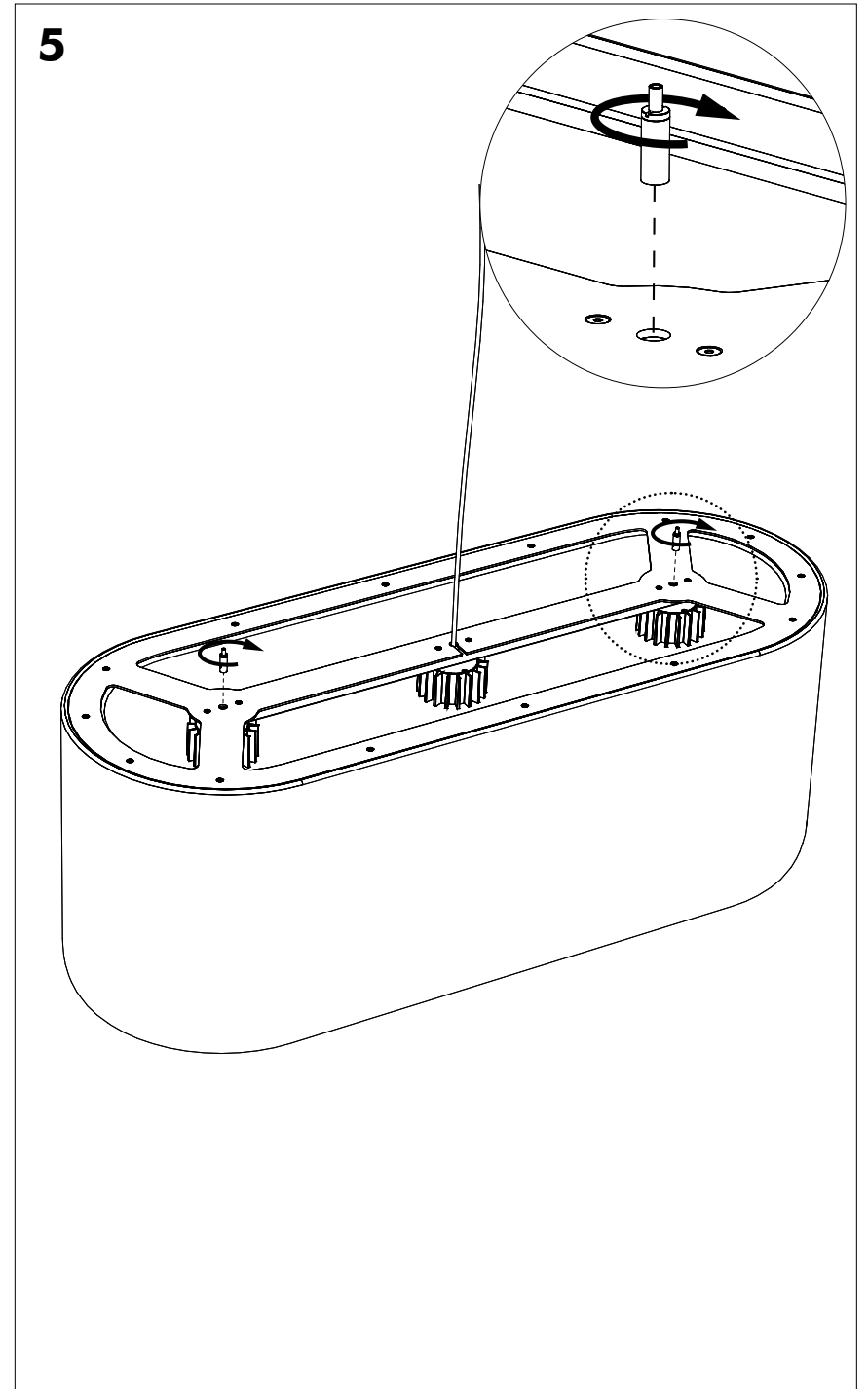
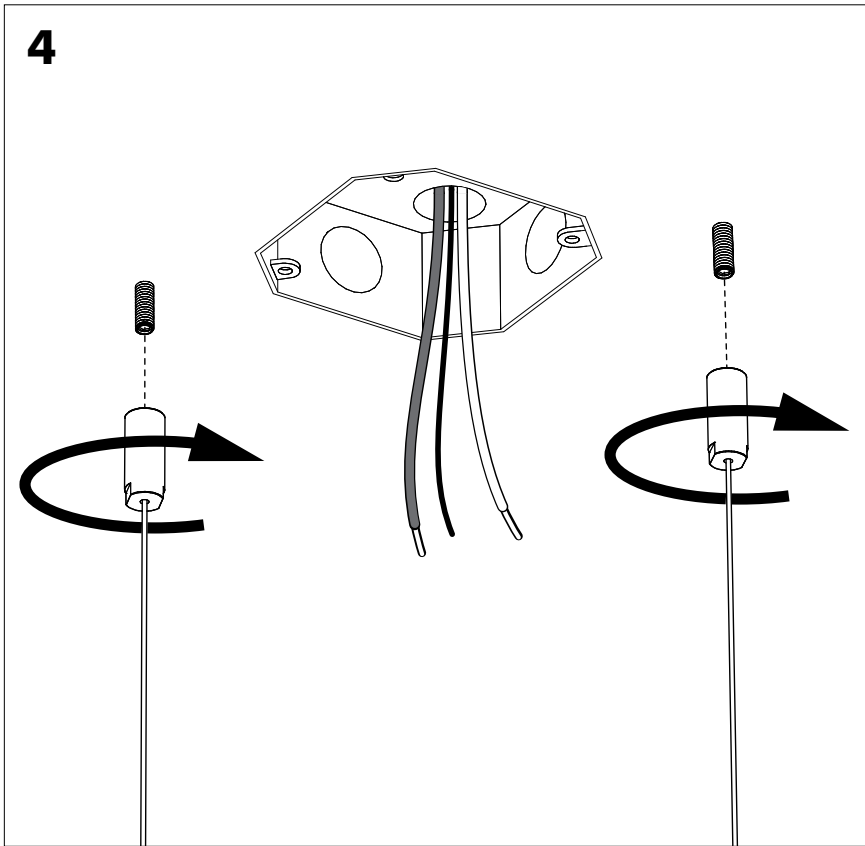
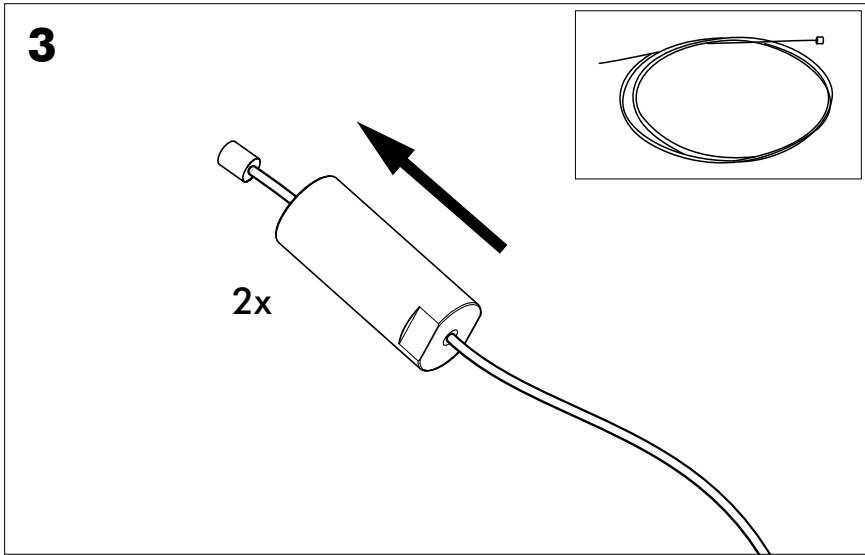


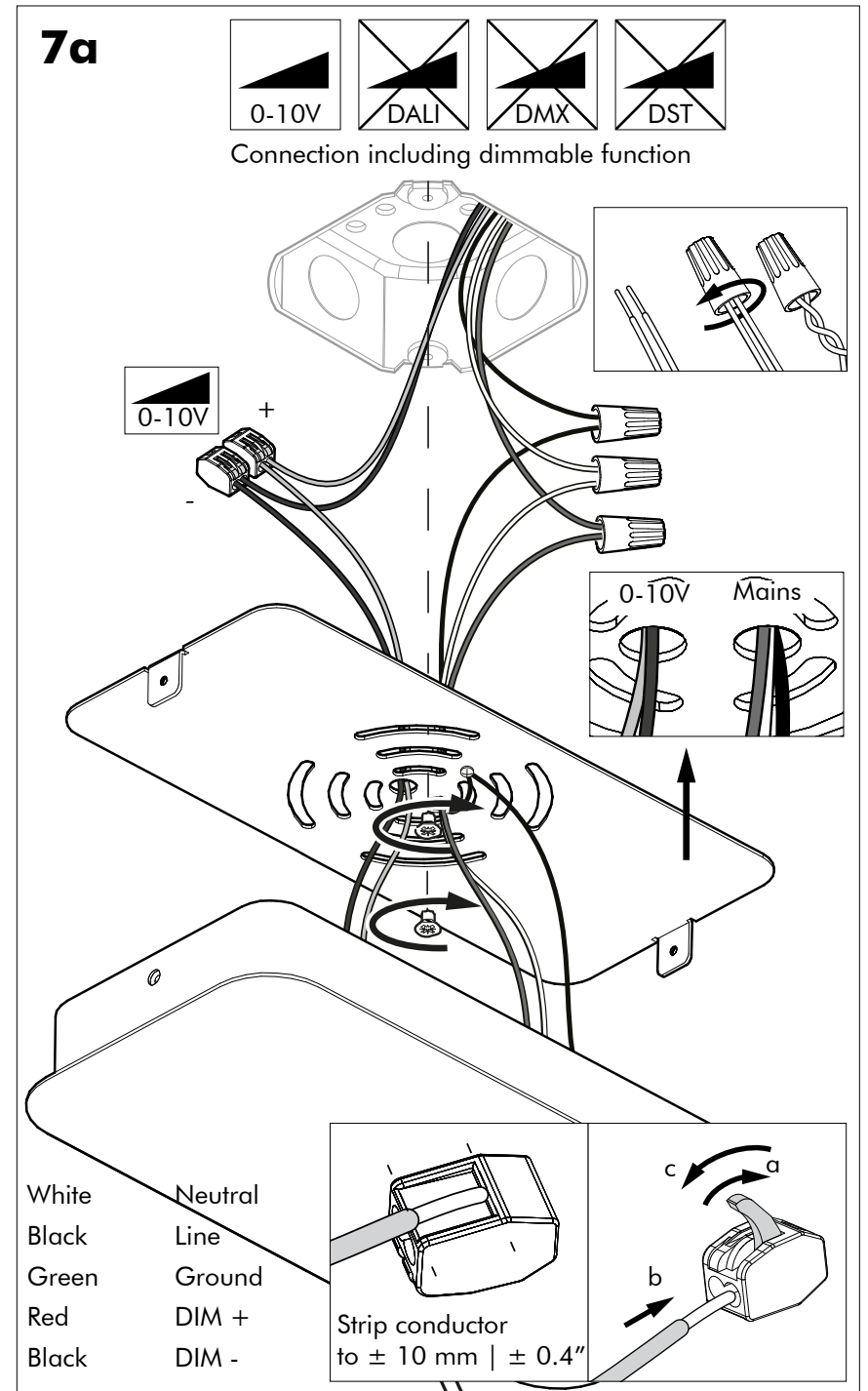
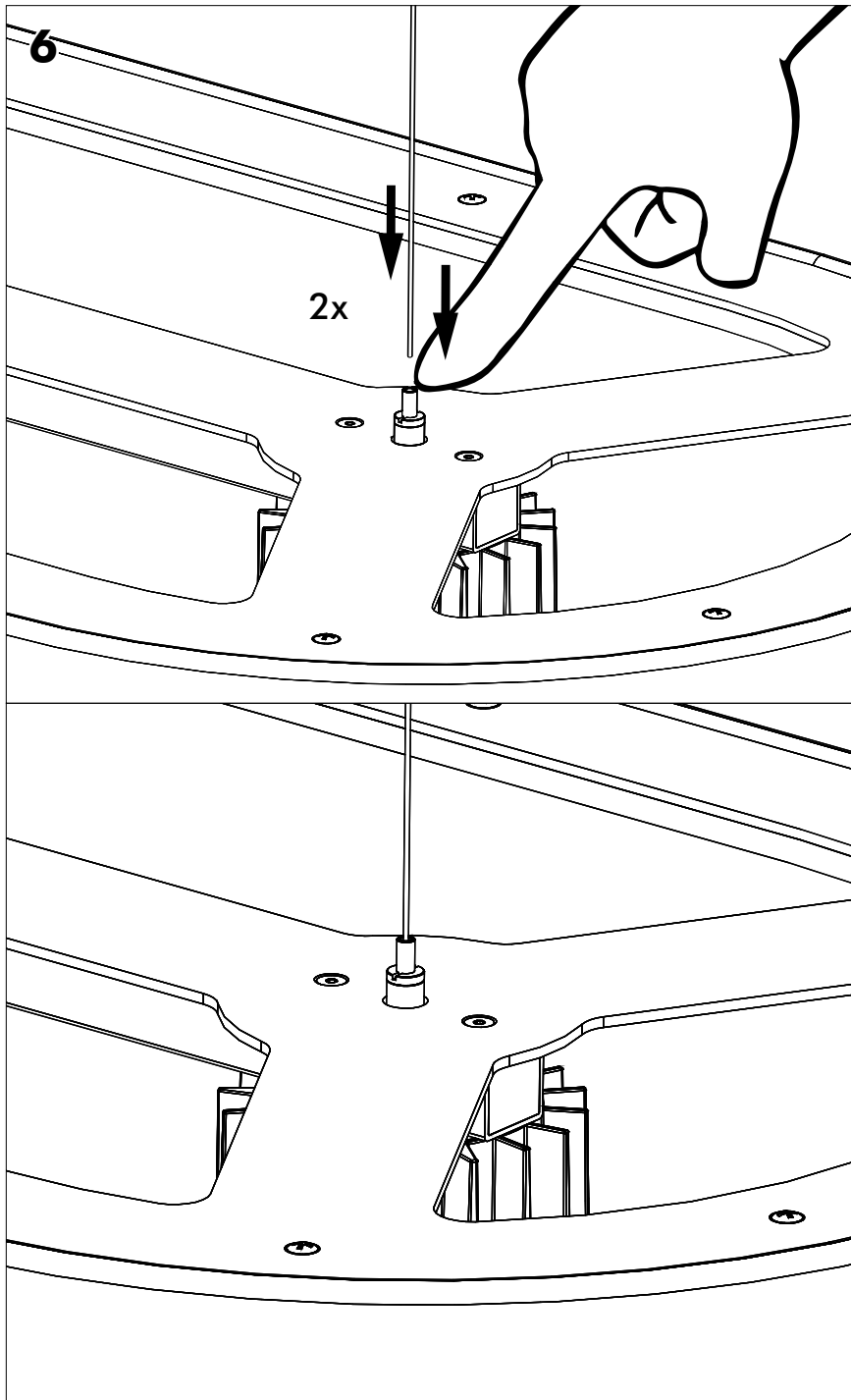
BuzziProp Beam Type A

2 PERS. 



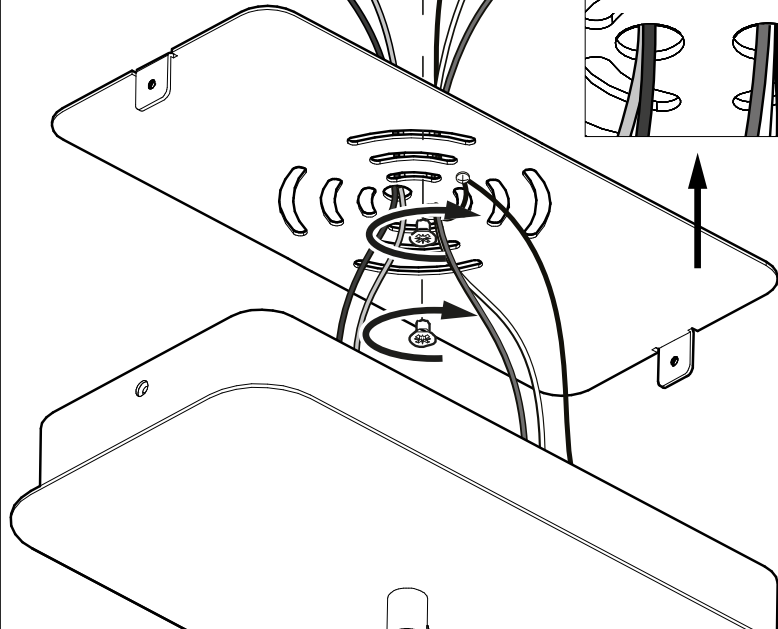
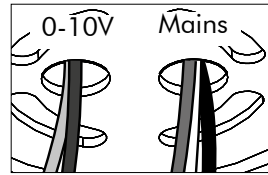
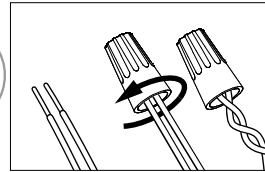
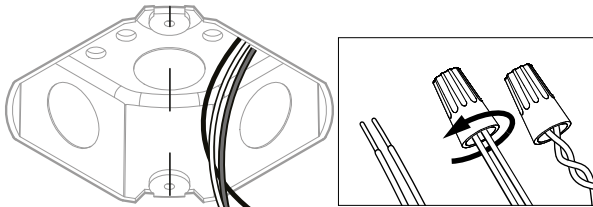
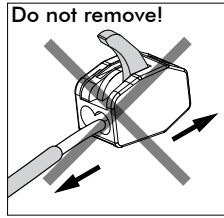
X: 75 cm | 29.5"



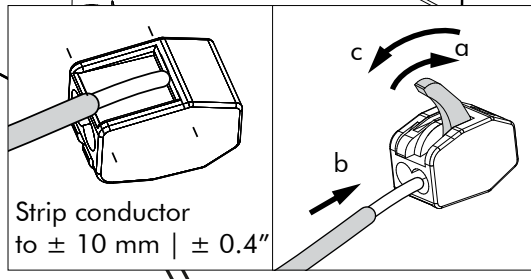


7b

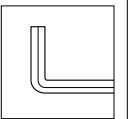
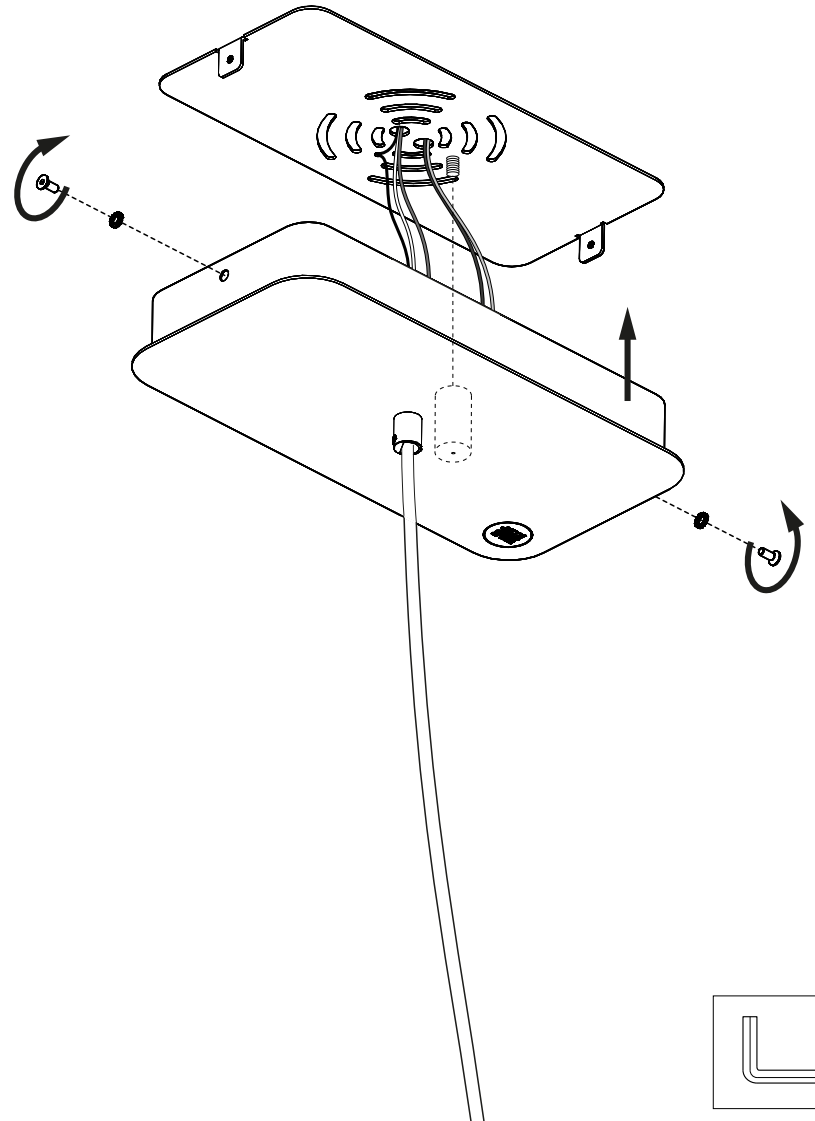
Connection excluding dimmable function



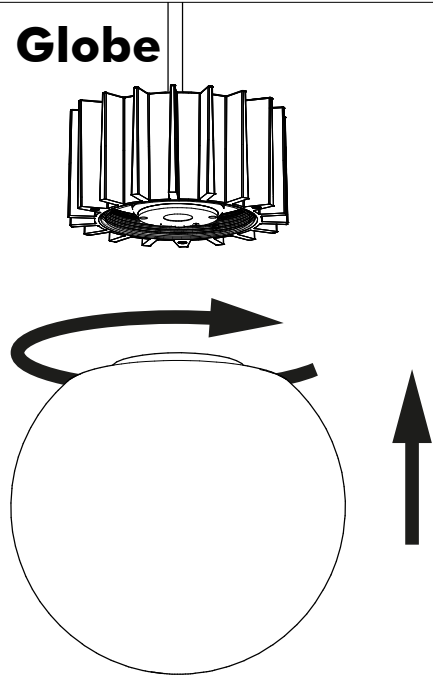
White	Neutral
Black	Line
Green	Ground
Red	Not used
Black	Not used



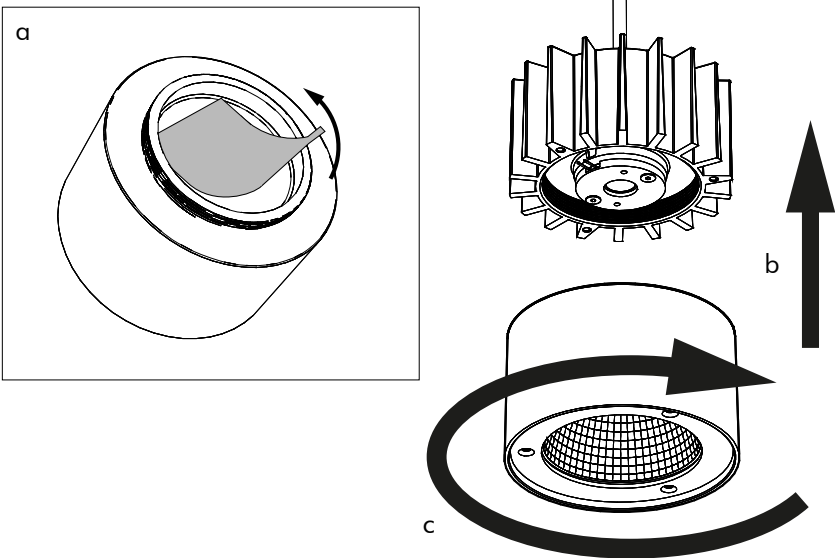
8



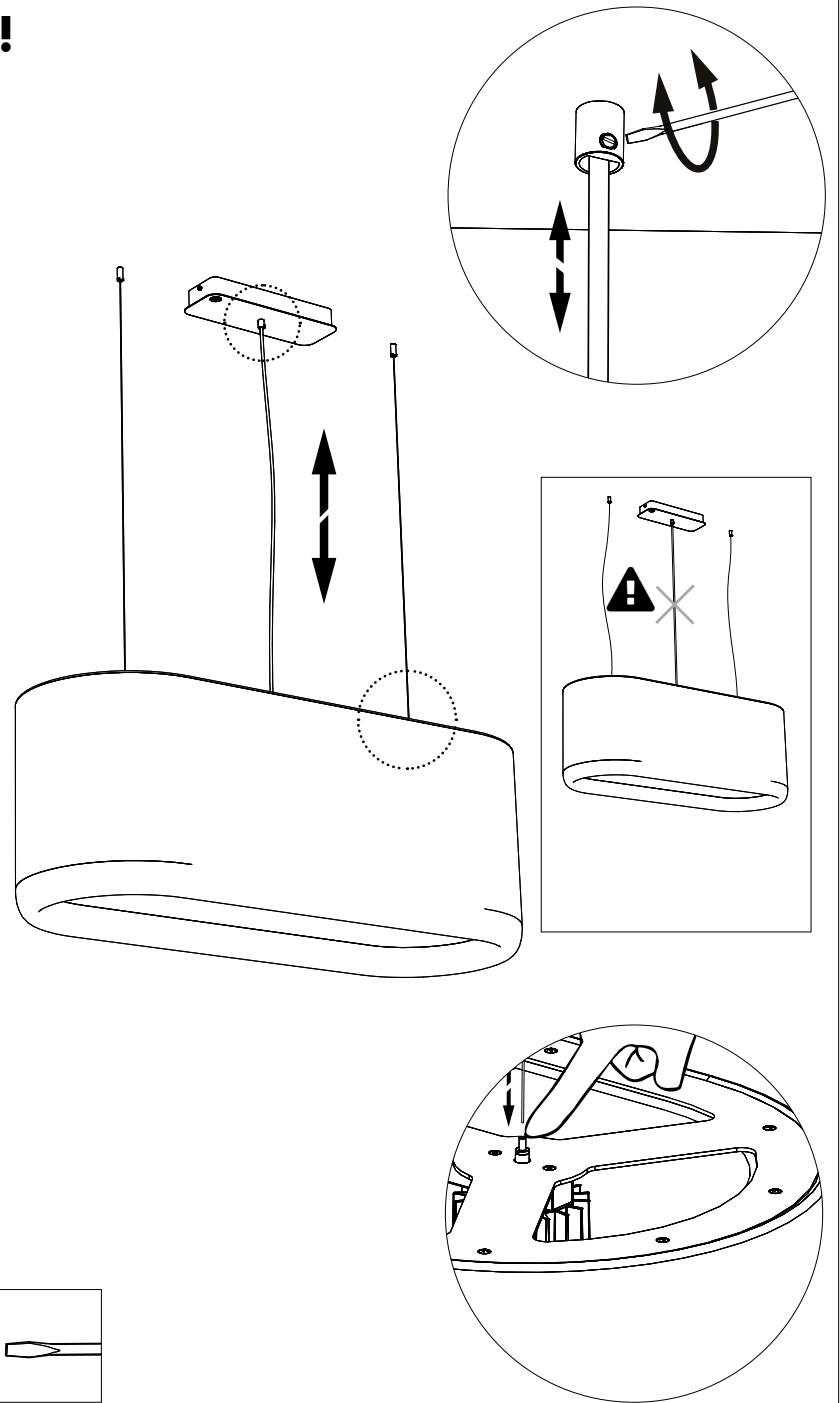
9 BuzziProp Globe



9 BuzziProp Spot

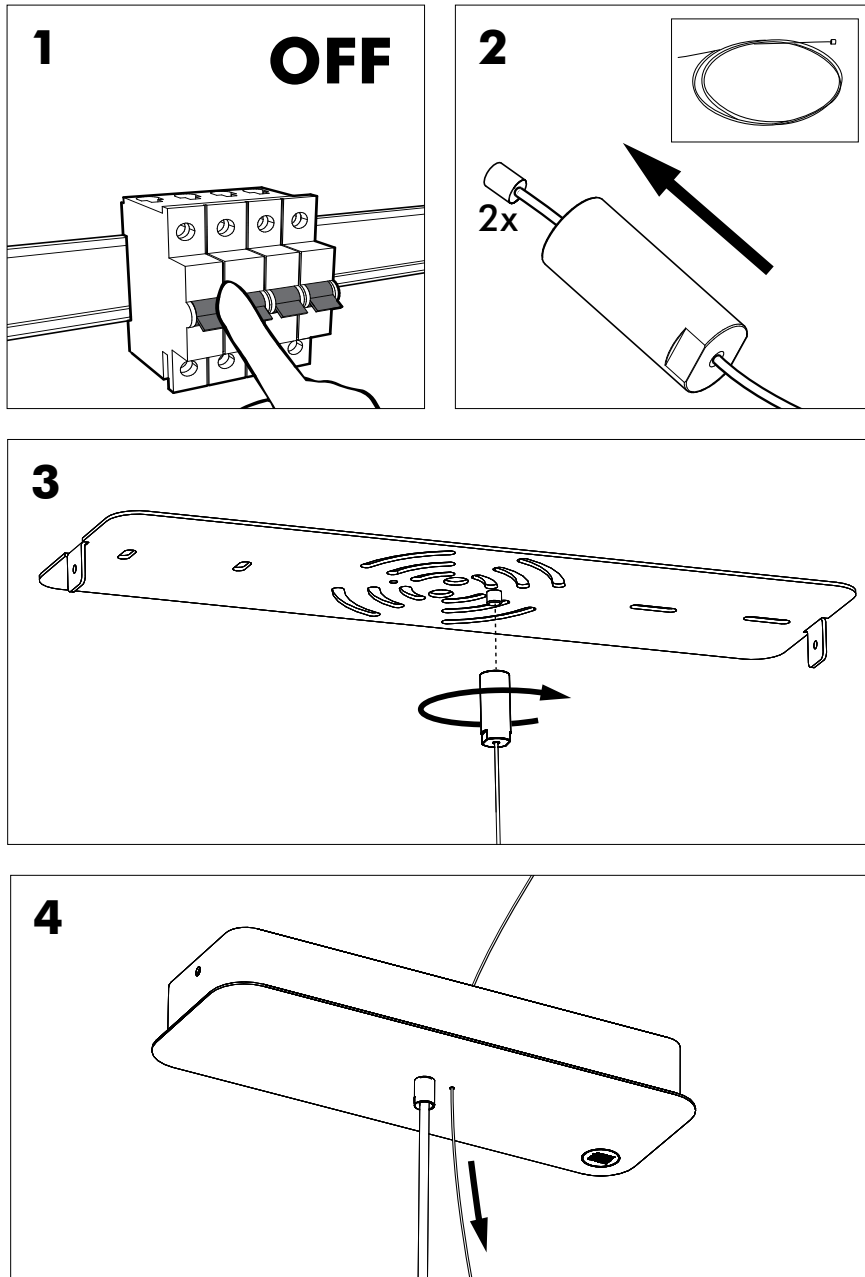


!

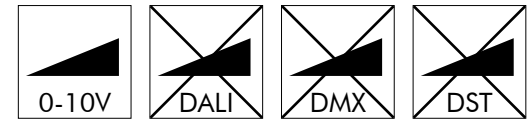


BuzziProp Beam Type B

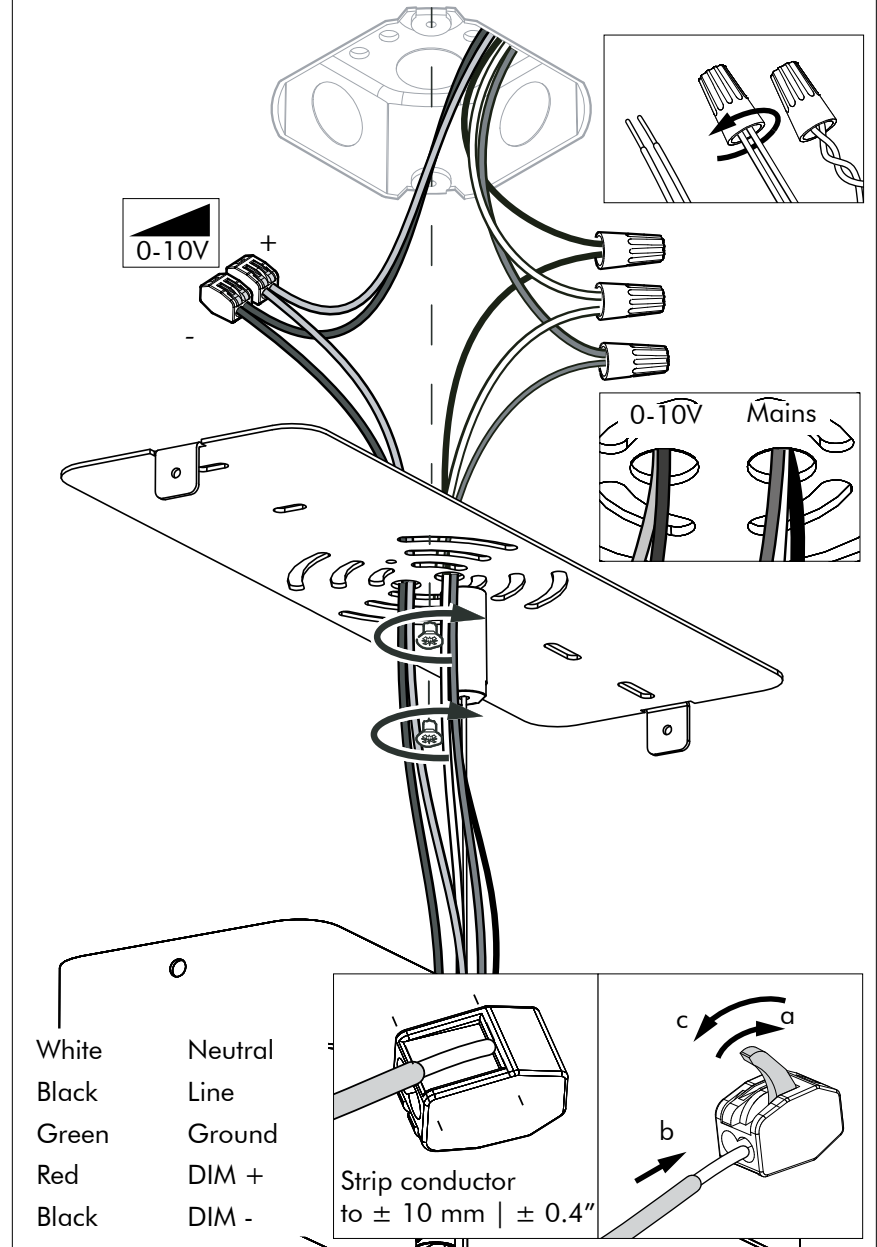
2 PERS. 



5a

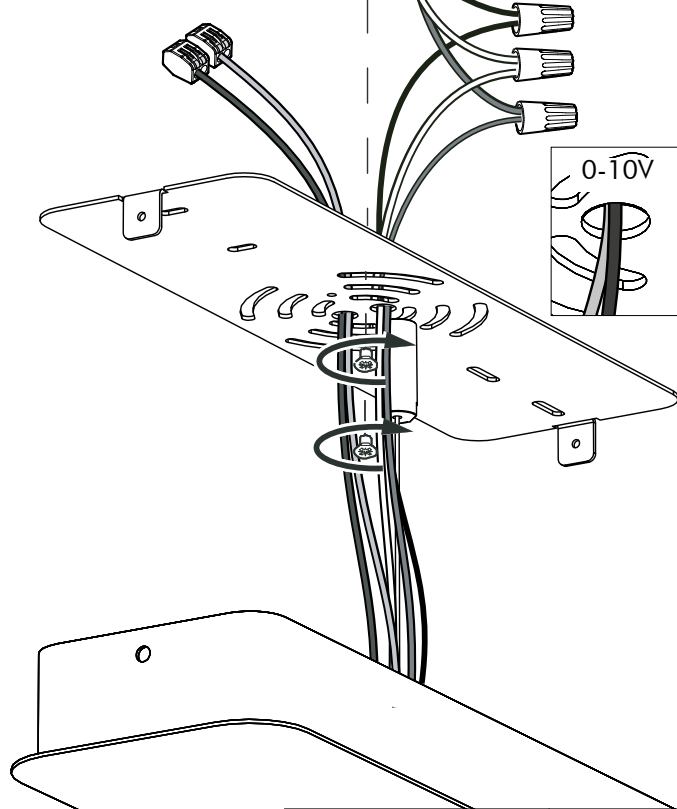
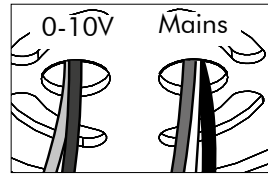
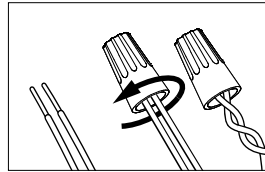
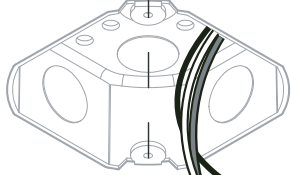
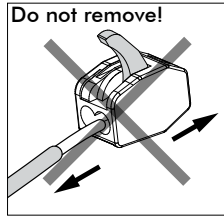


Connection including dimmable function

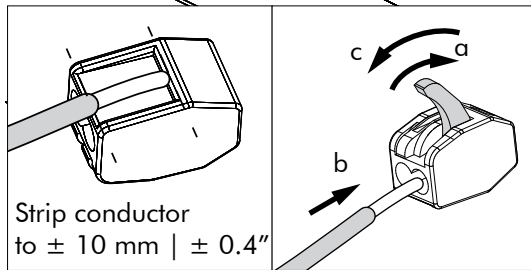


5b

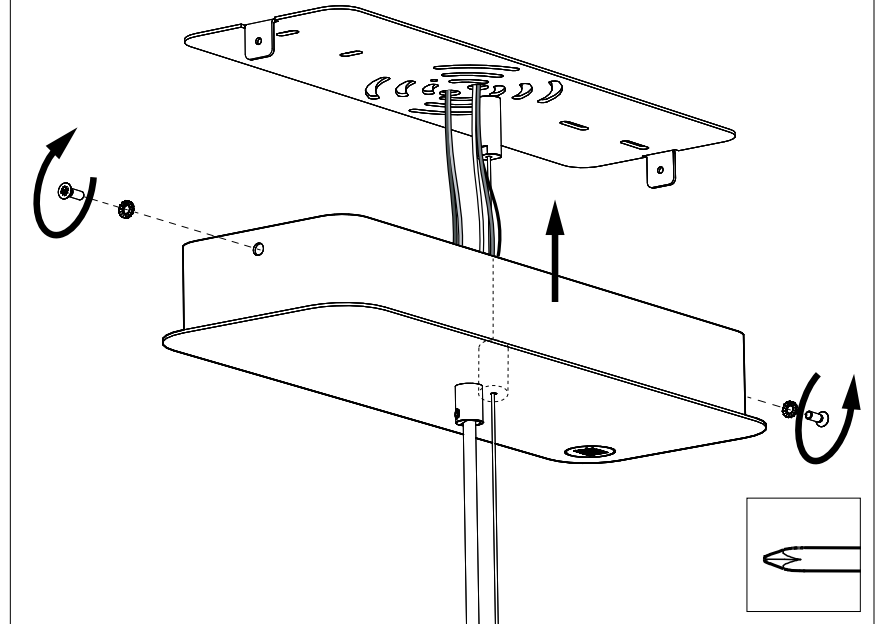
Connection excluding dimmable function



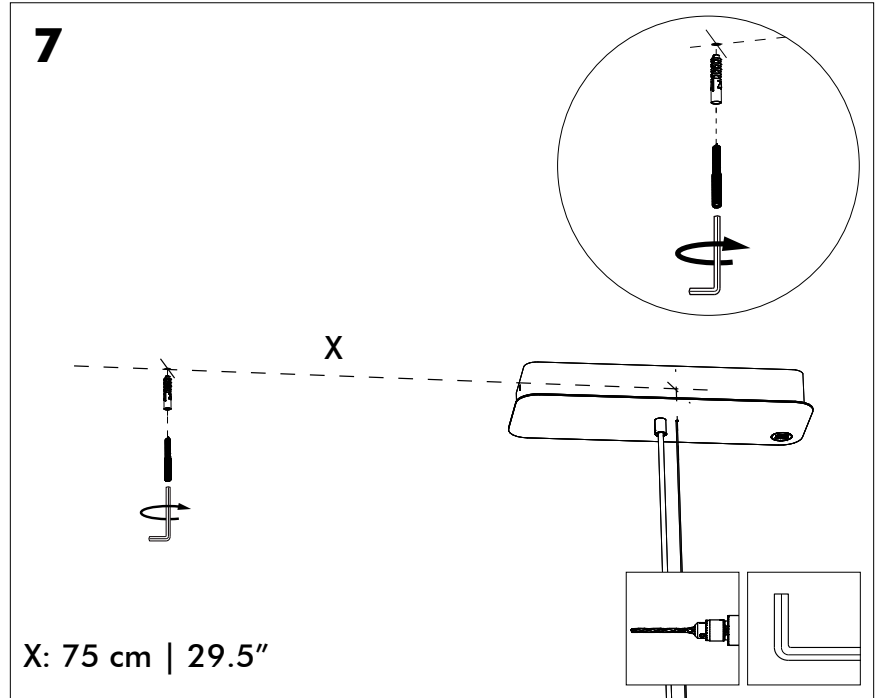
White	Neutral
Black	Line
Green	Ground
Red	Not used
Black	Not used

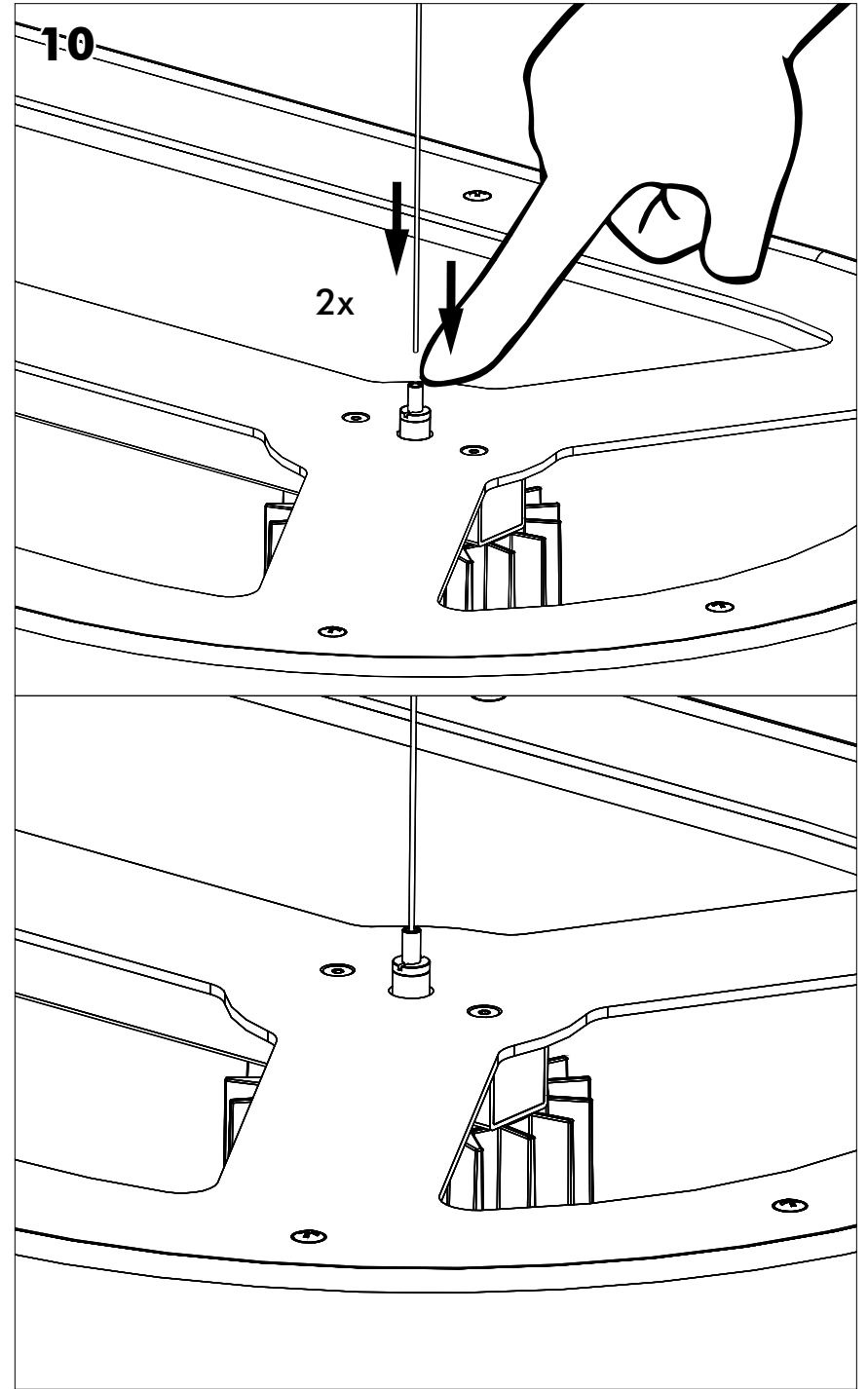
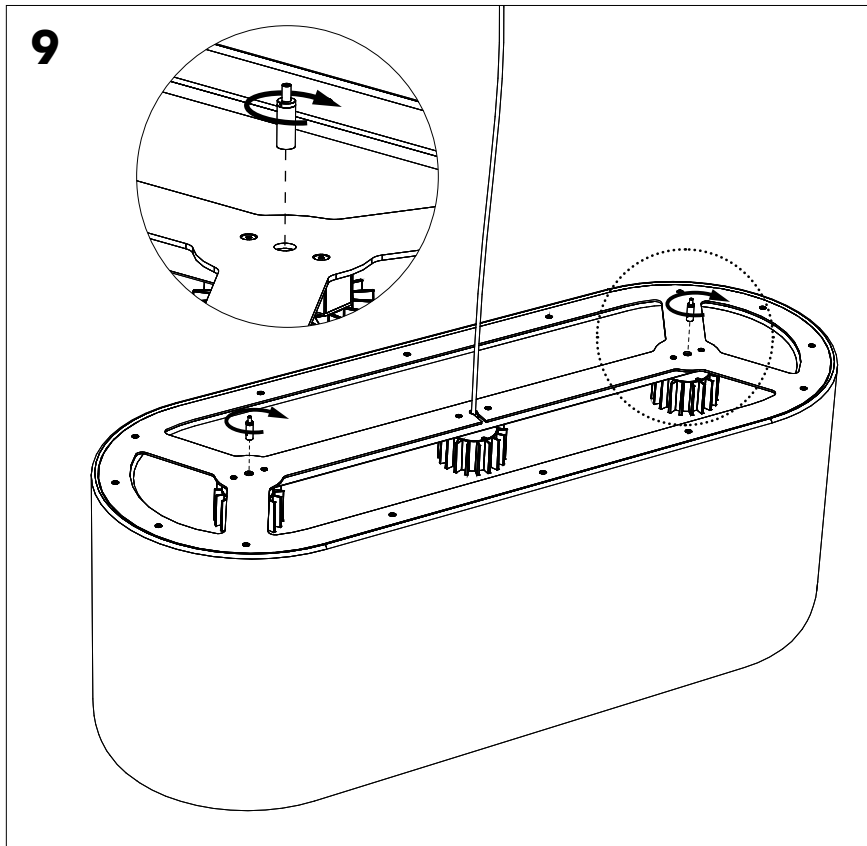
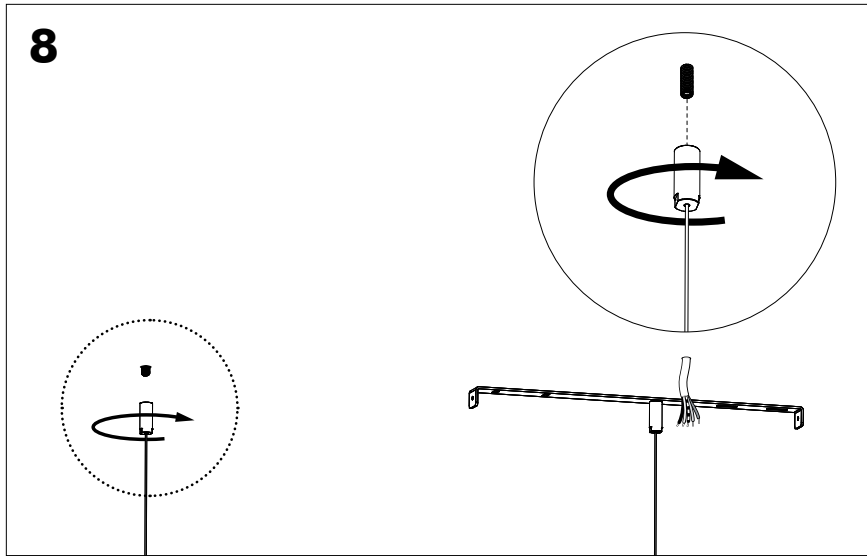


6

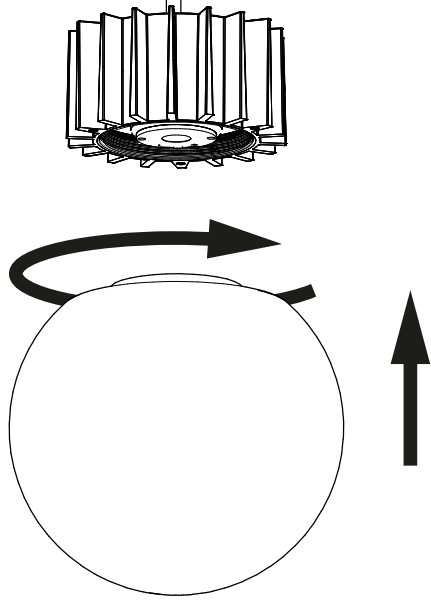


7

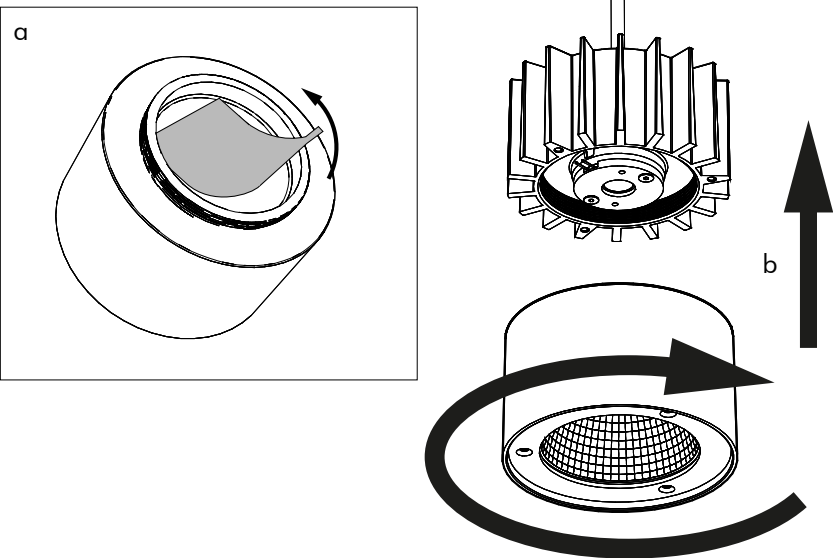




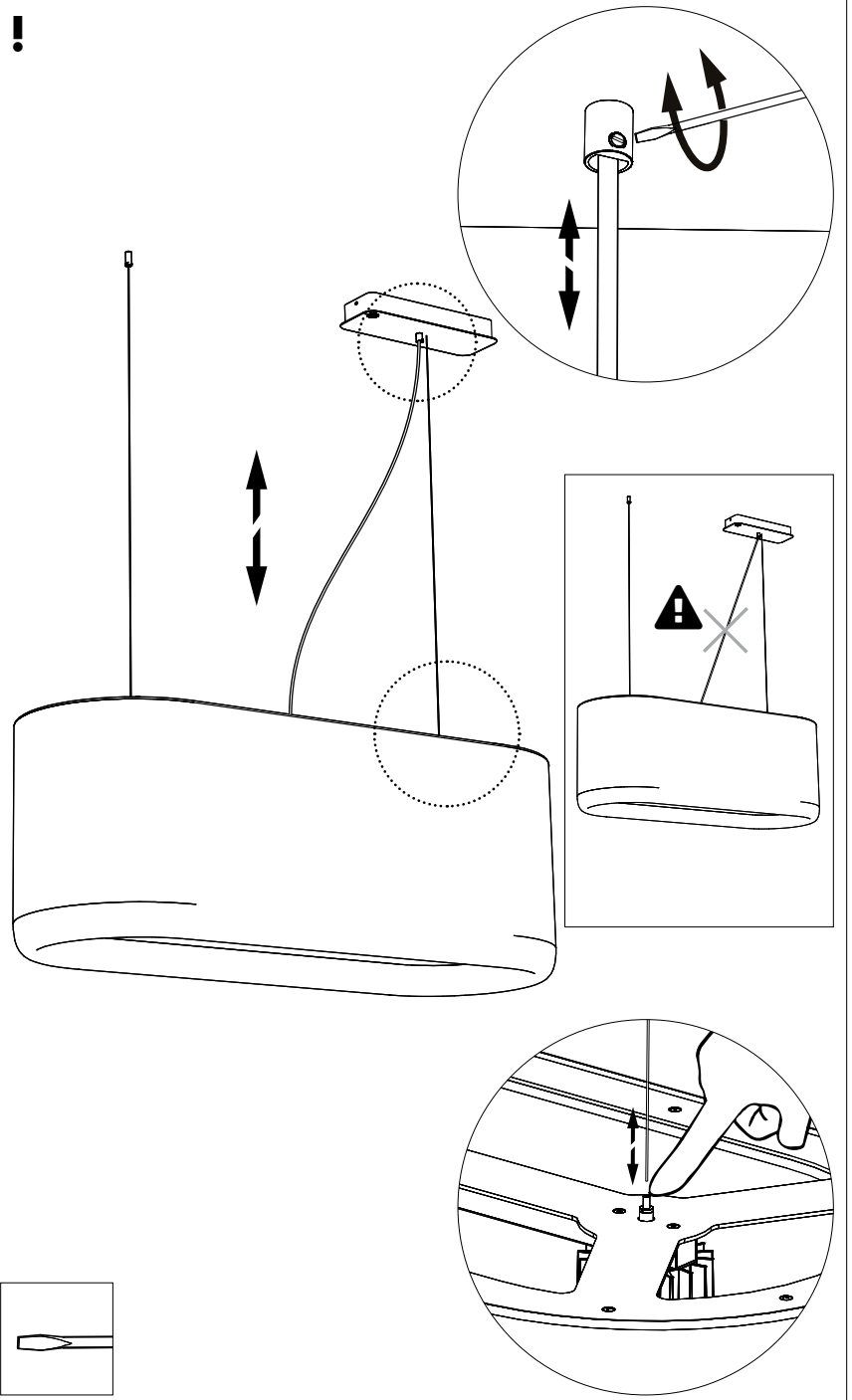
11 BuzziProp Beam Globe



11 BuzziProp Beam Spot



!

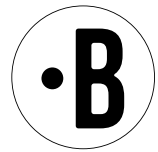


BuzziSpace Group NV
Italiëlei 8, 2000 Antwerp
Belgium

☎ +32 (0)3 846 10 00

✉ info@buzzi.space

🌐 www.buzzi.space



A-0000007364/01
Last update: 04/12/2023