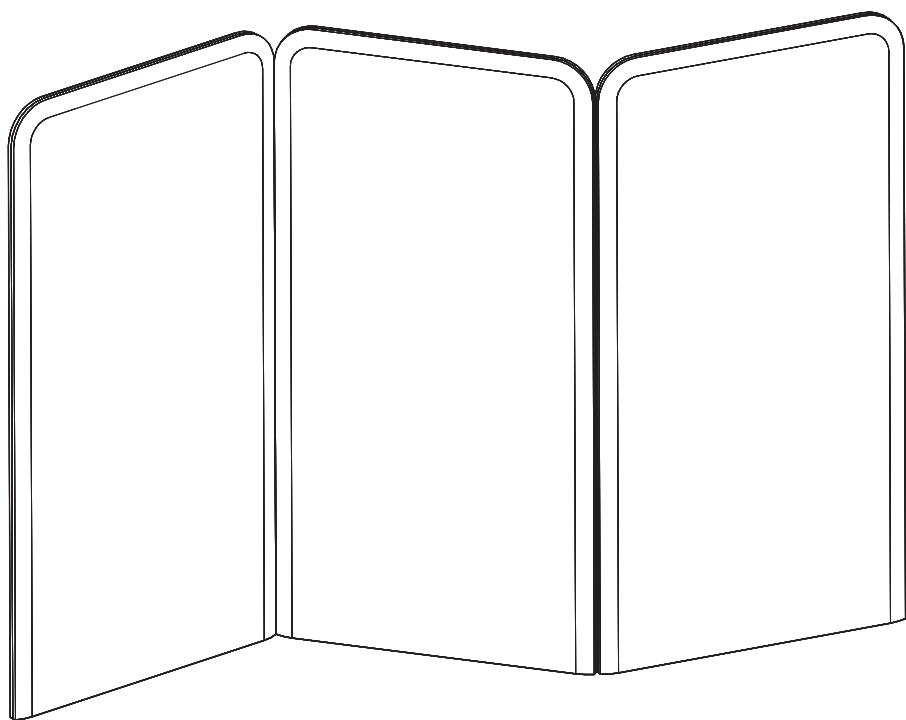


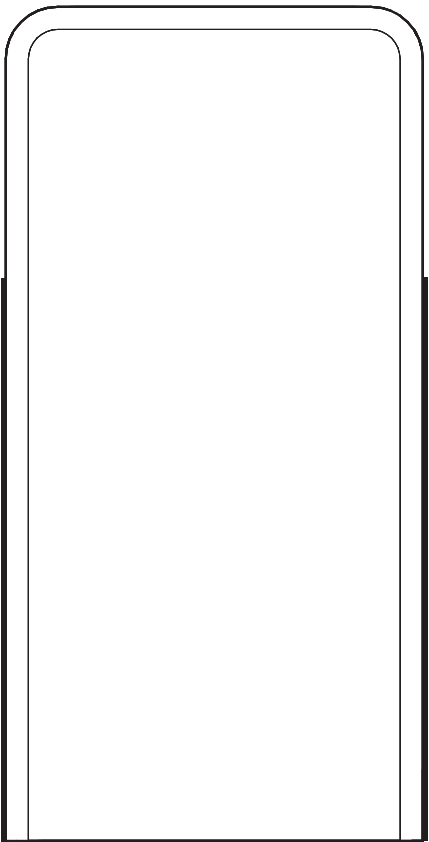
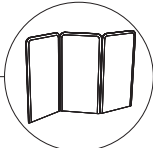
BuzziScreen

BuzziScreen Mix

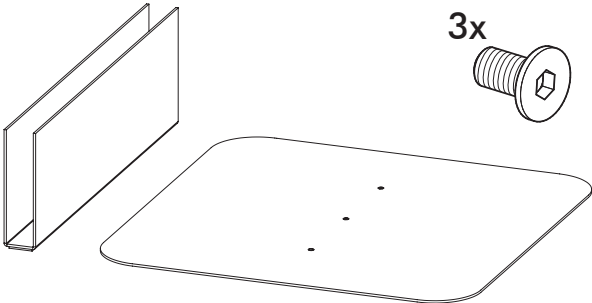
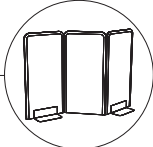
INSTALLATION MANUAL



Included BuzziScreen



Optional BuzziFoot



Excluded

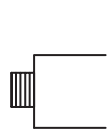


Combinations: examples

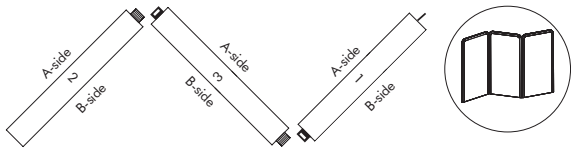
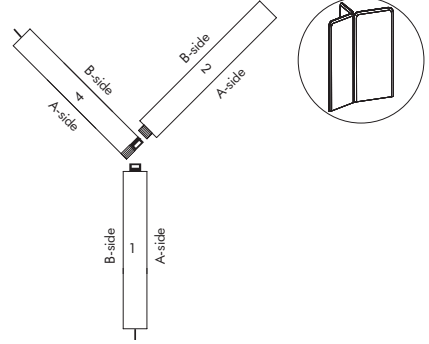
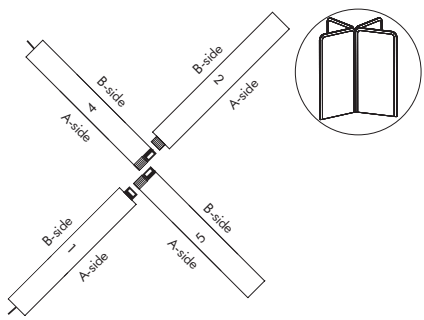
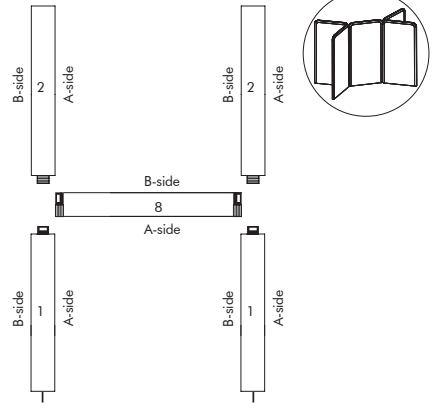
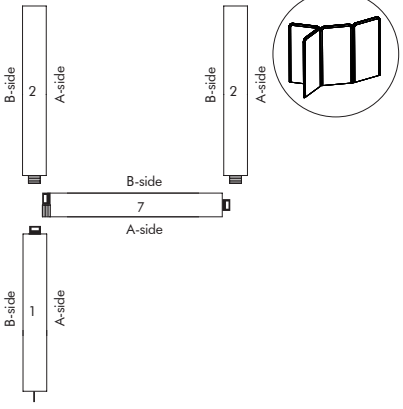
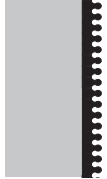
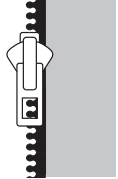
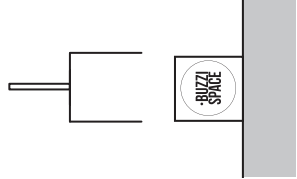
Puller Side



Pin Side

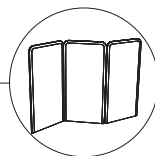


Label (only with stop panel)

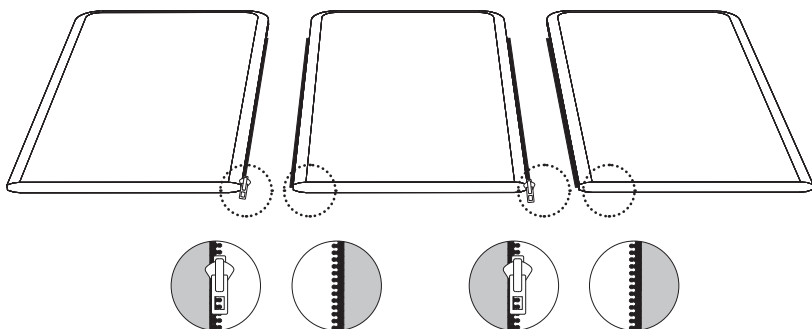


BuzziScreen

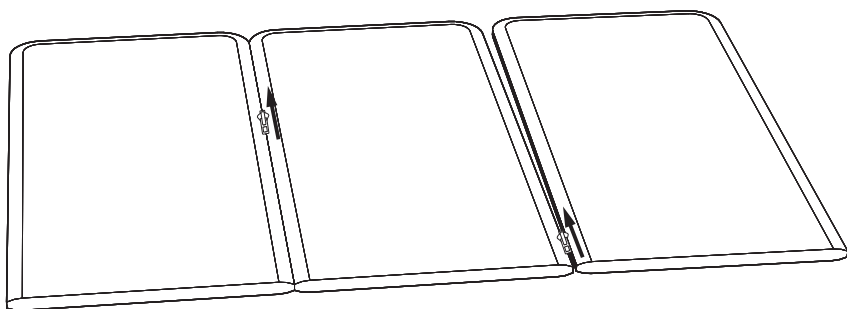
2 PERS. 



1

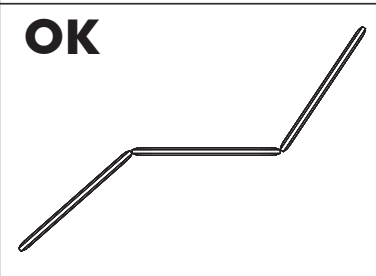
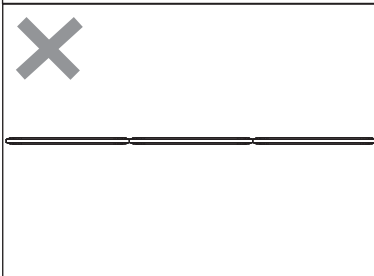
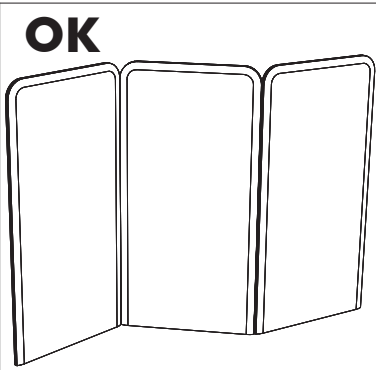
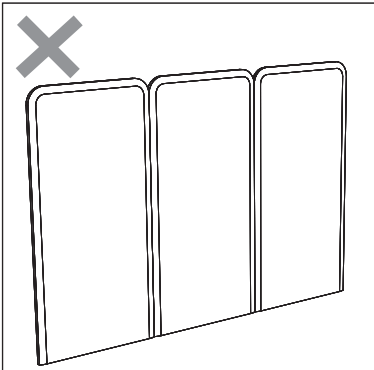
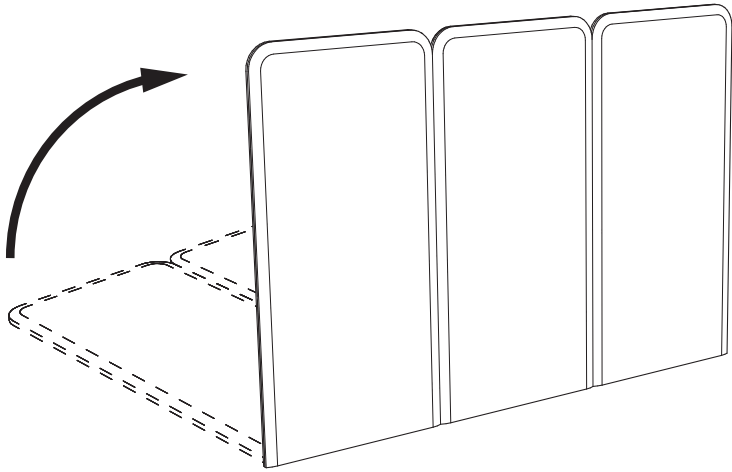


2

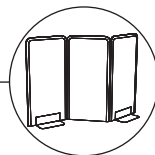


3

2 PERS. 

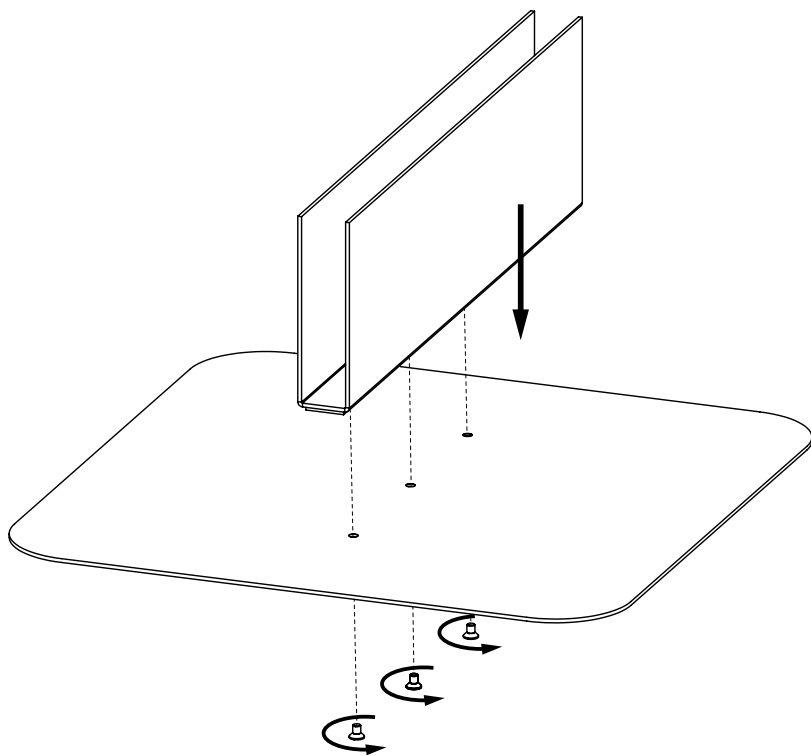


BuzziScreen + BuzziFoot (optional)

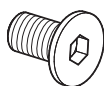


2 PERS.

1



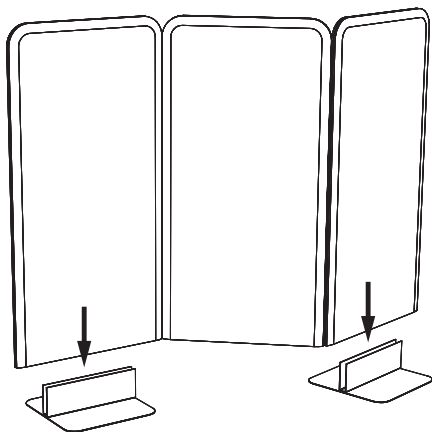
3X



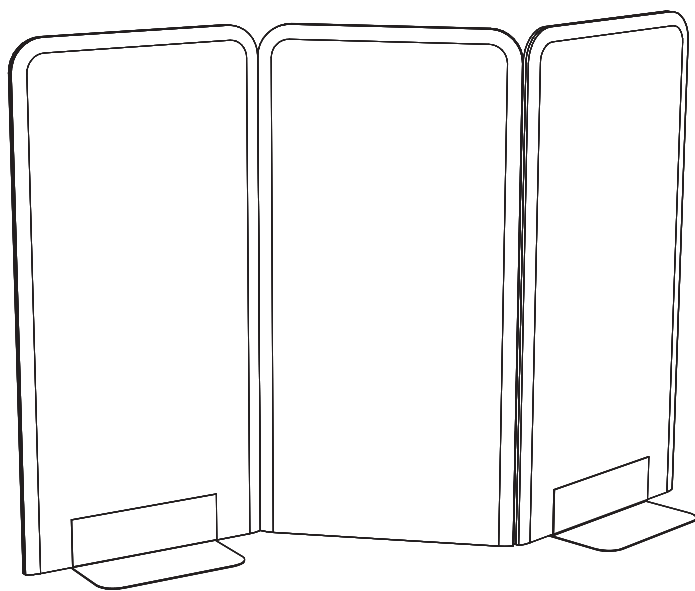
4mm



2



3



BuzziSpace Group NV
Italiëlei 8, 2000 Antwerp
Belgium

☎ +32 (0)3 846 10 00

✉ info@buzzi.space

🌐 www.buzzi.space



Doc nr.: A-0000001567/02

Last update:04/12/2023