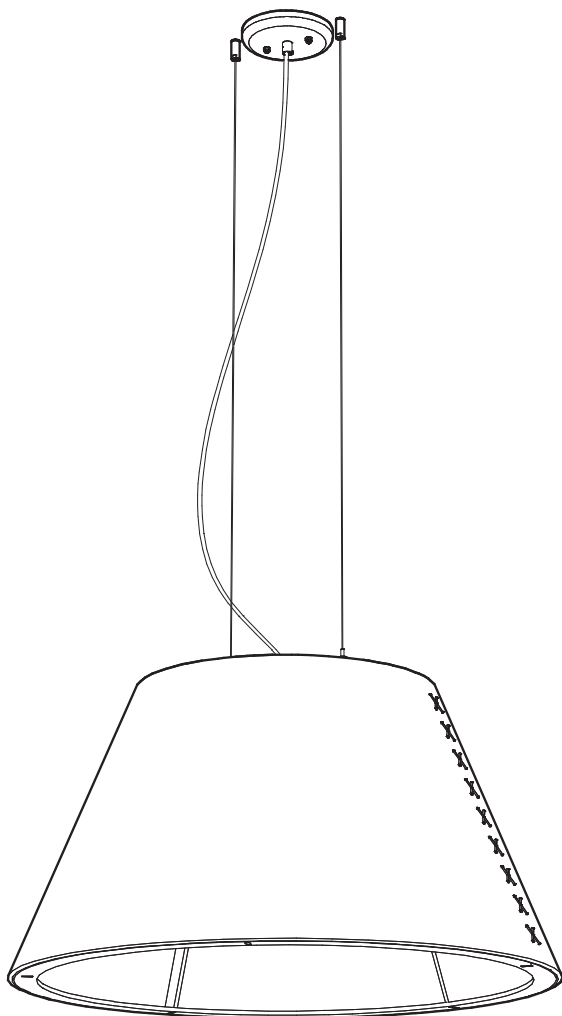


# BuzziShade Pendant

INSTALLATION MANUAL

MODE DE L'EMPLOI

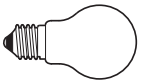
110V - 120V



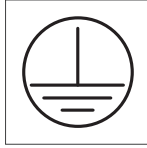
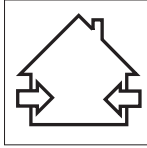
# Technical info

---

E26

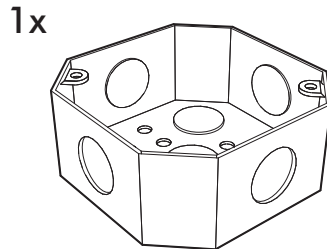
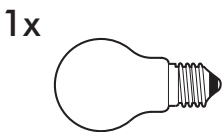
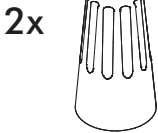
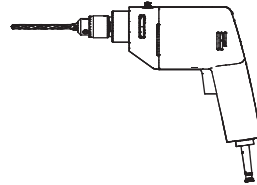
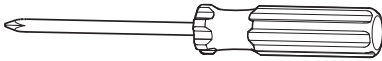
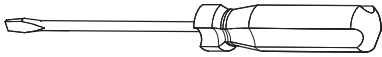


Max. 100W



# Excluded

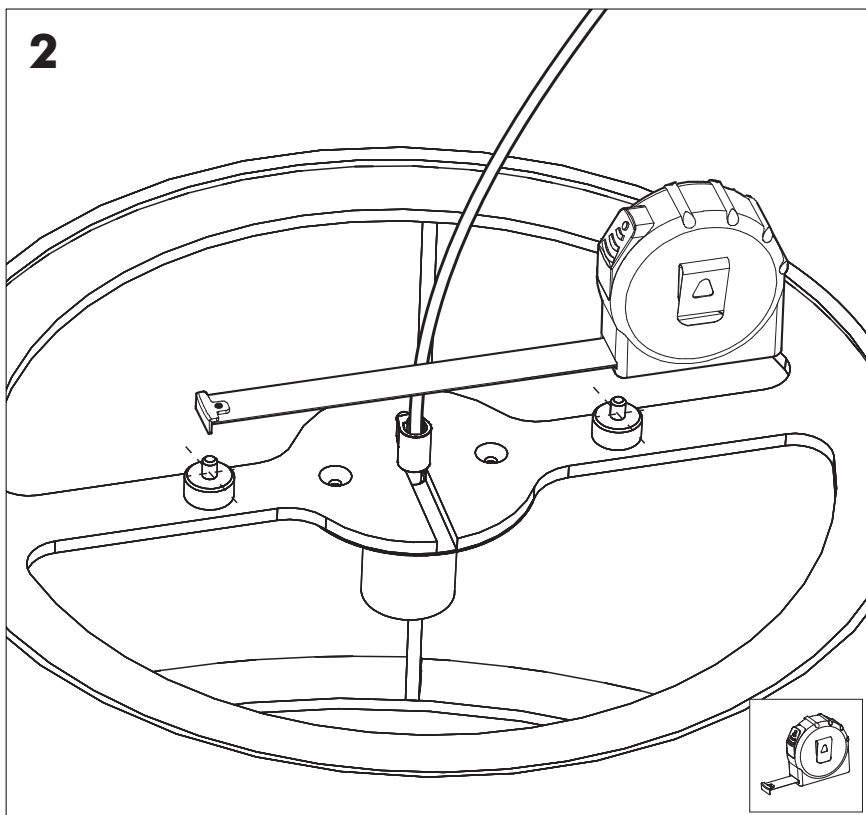
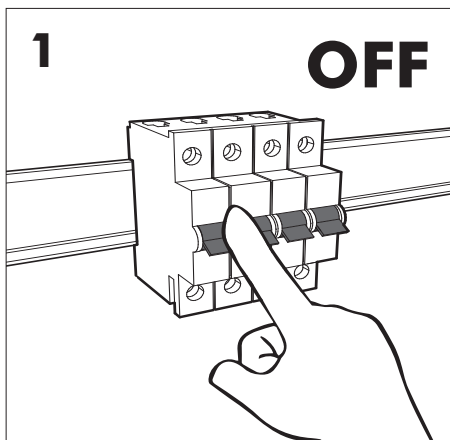
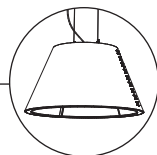
---



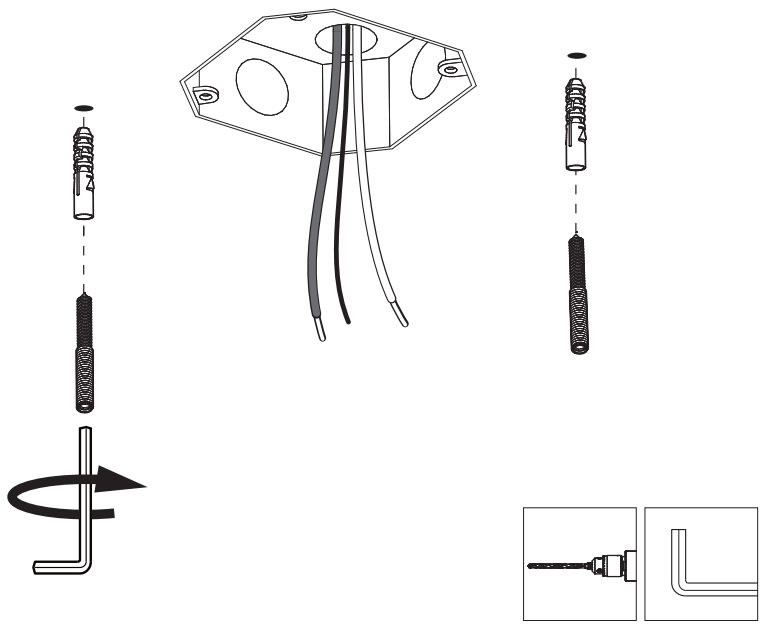


# BuzziShade Pendant

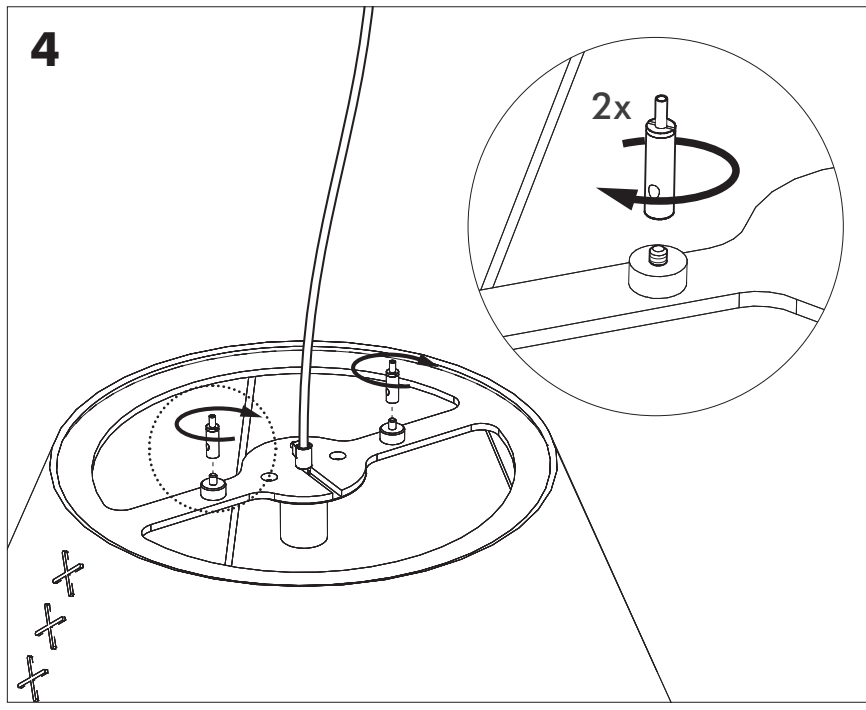
2 PERS. 



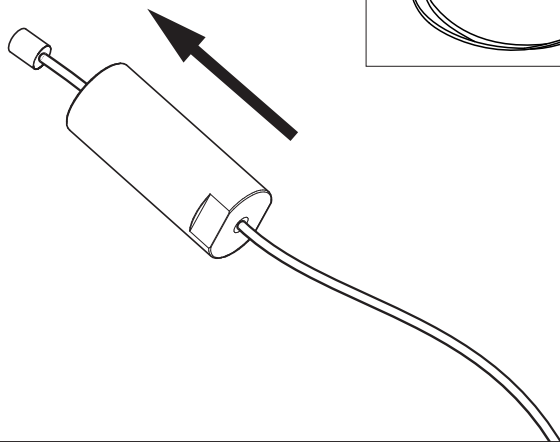
**3**



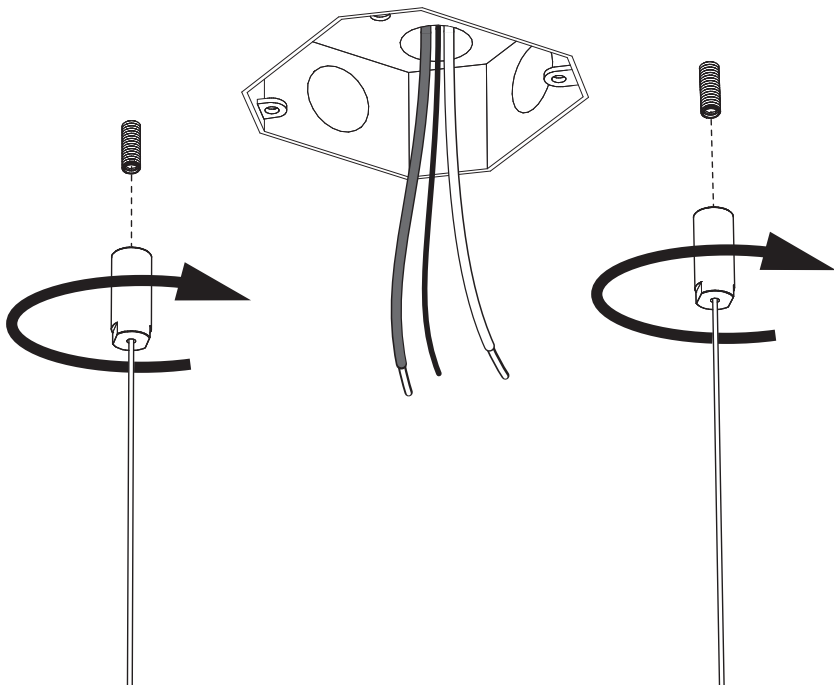
**4**



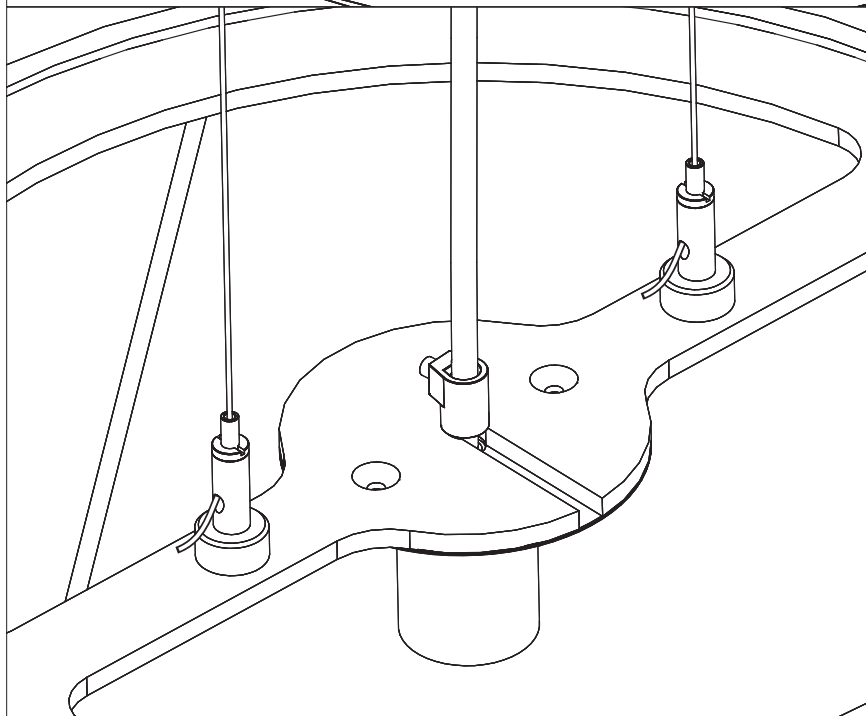
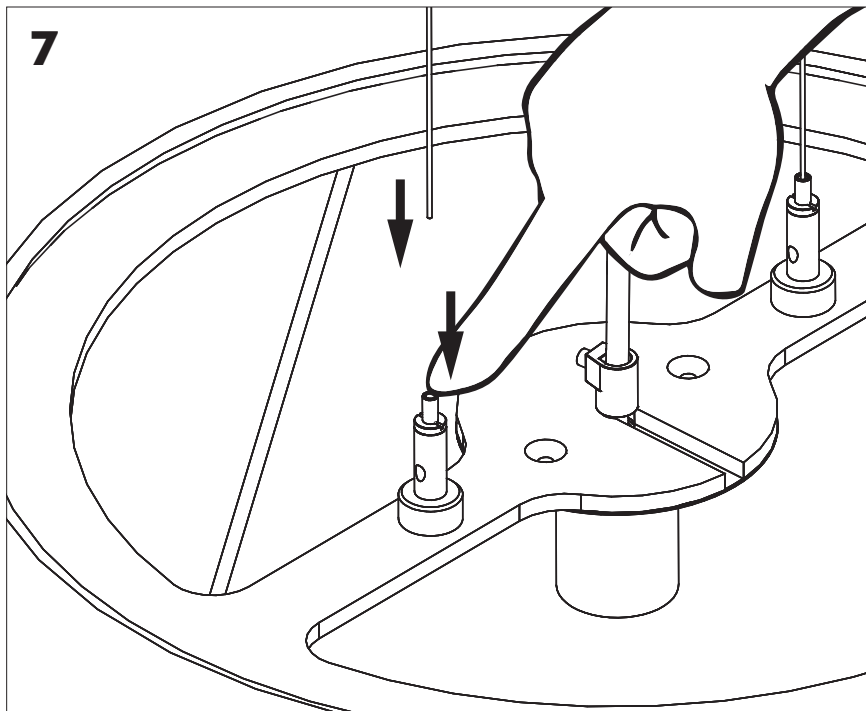
5



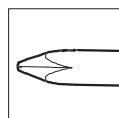
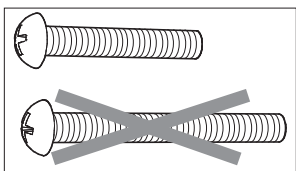
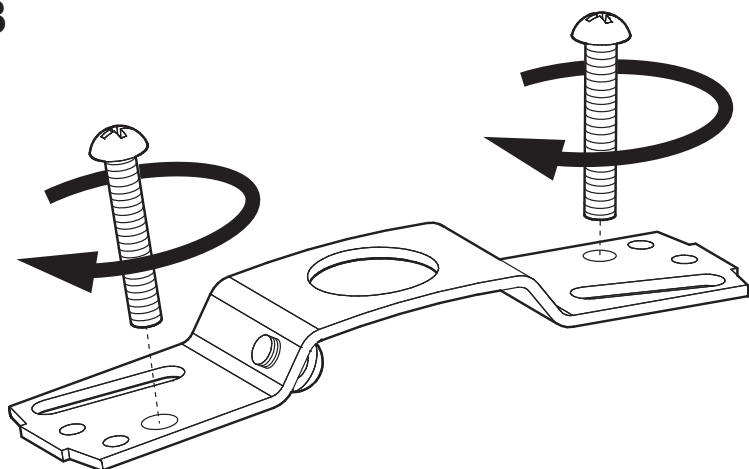
6



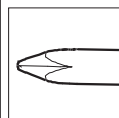
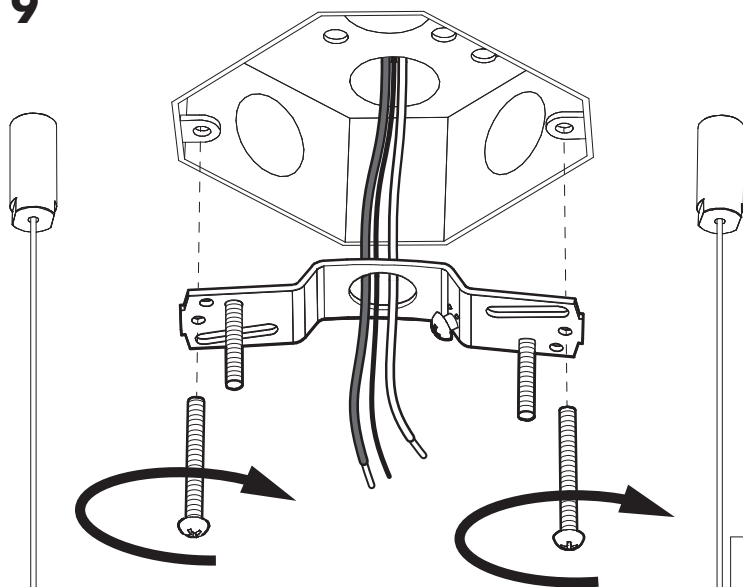
7



8

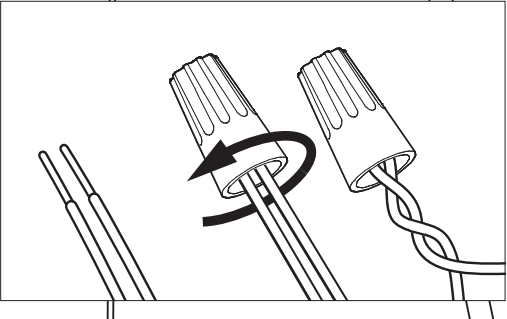
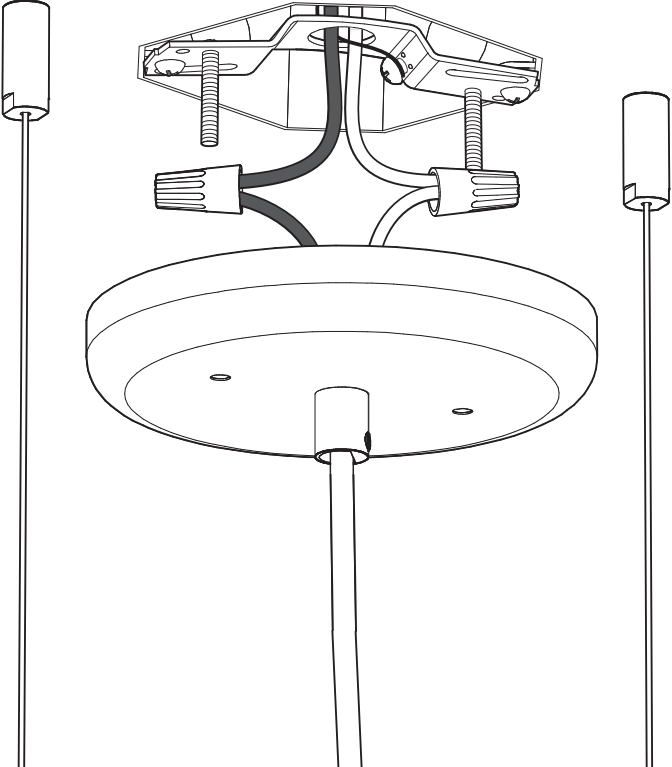
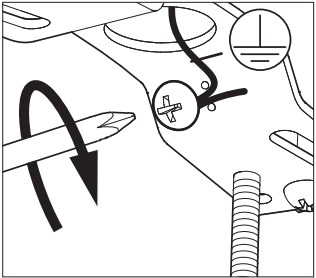


9

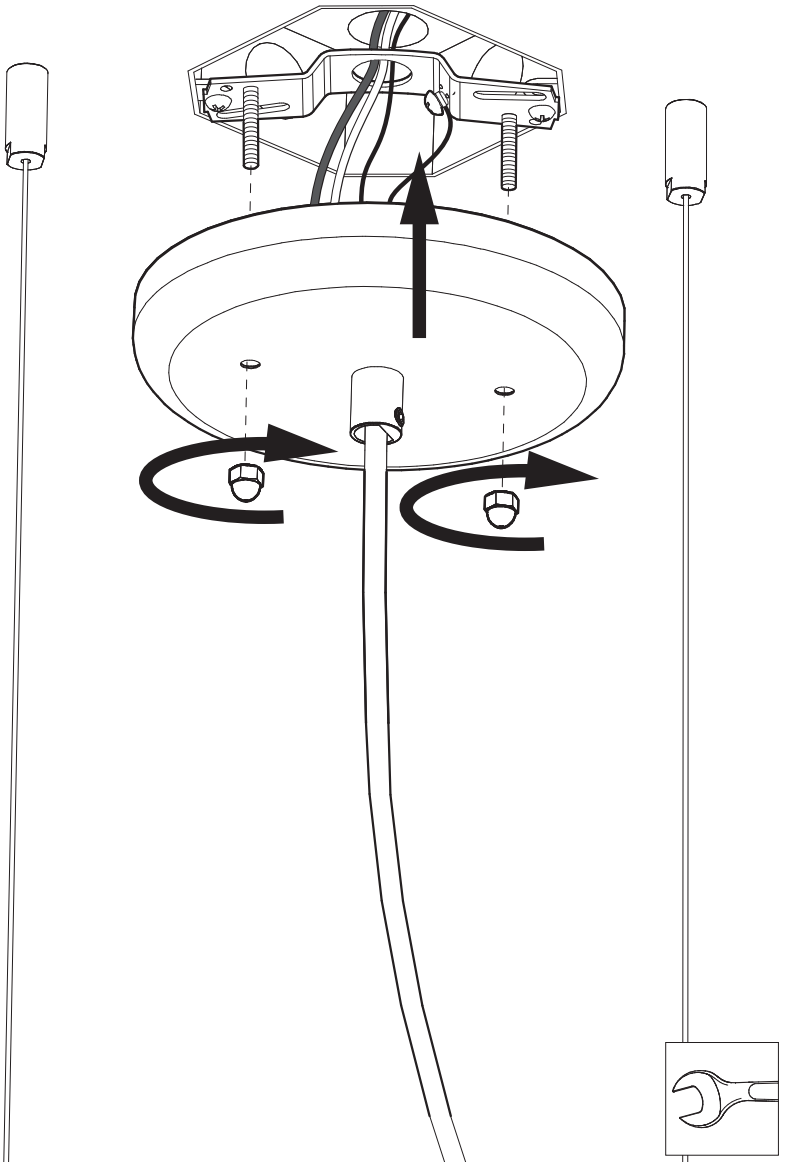




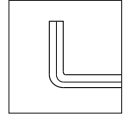
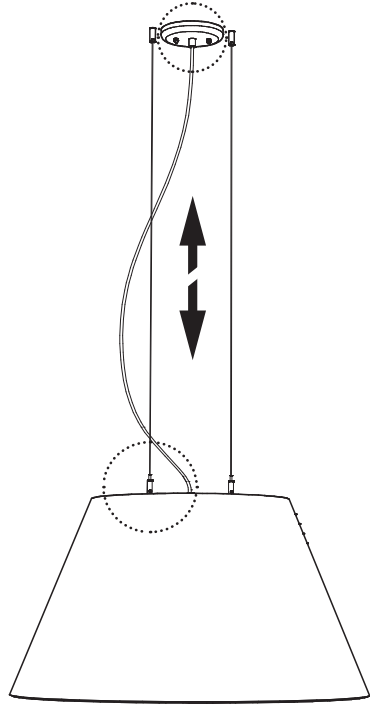
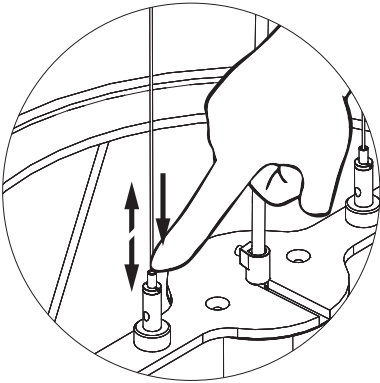
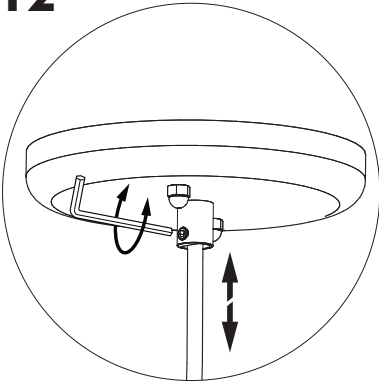
10



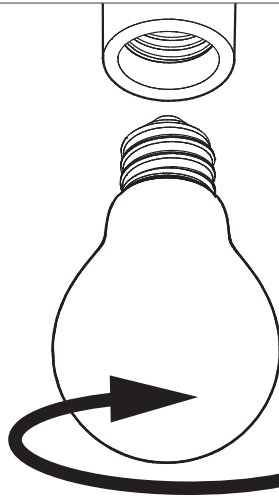
11



**12**



**13**



**BuzziSpace Group NV**  
Italiëlei 8, 2000 Antwerp  
Belgium

☎ +32 (0)3 846 10 00

✉ [info@buzzi.space](mailto:info@buzzi.space)

🌐 [www.buzzi.space](http://www.buzzi.space)



Doc nr.: A-0000001326/05  
Last update: 05/12/2023