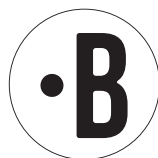
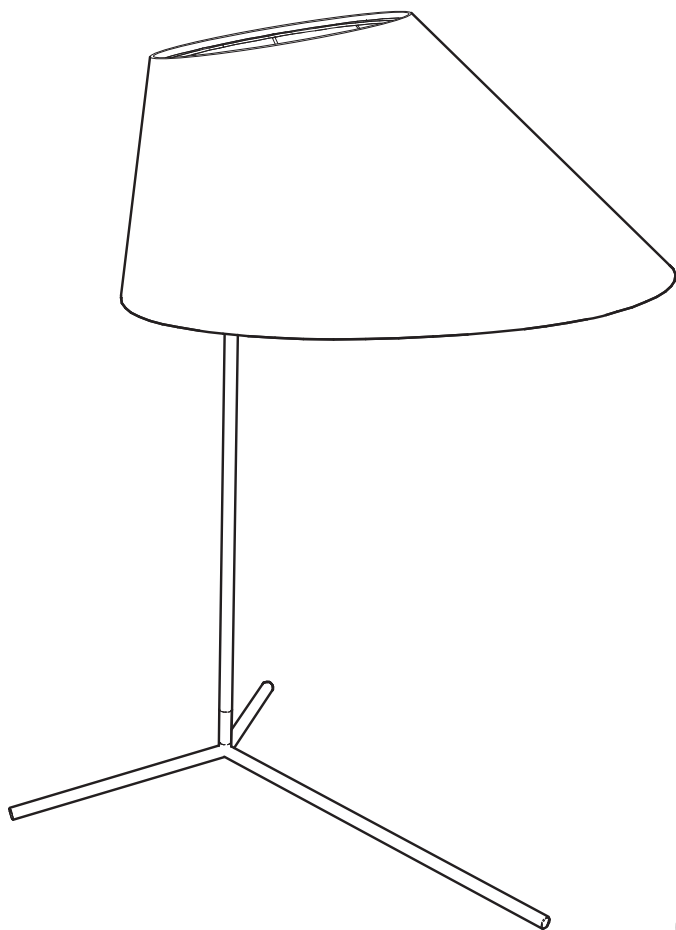


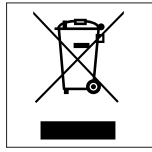
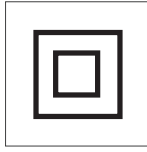
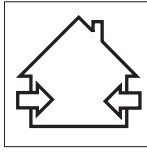
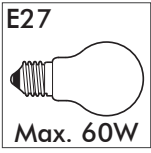
# BuzziShade Standing

INSTALLATION MANUAL



## Technical info

---



### Environmental Protection

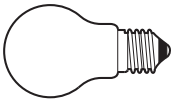
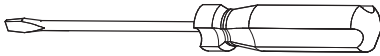
Waste electrical products should not be disposed of with household waste.

Please recycle where facilities exist.

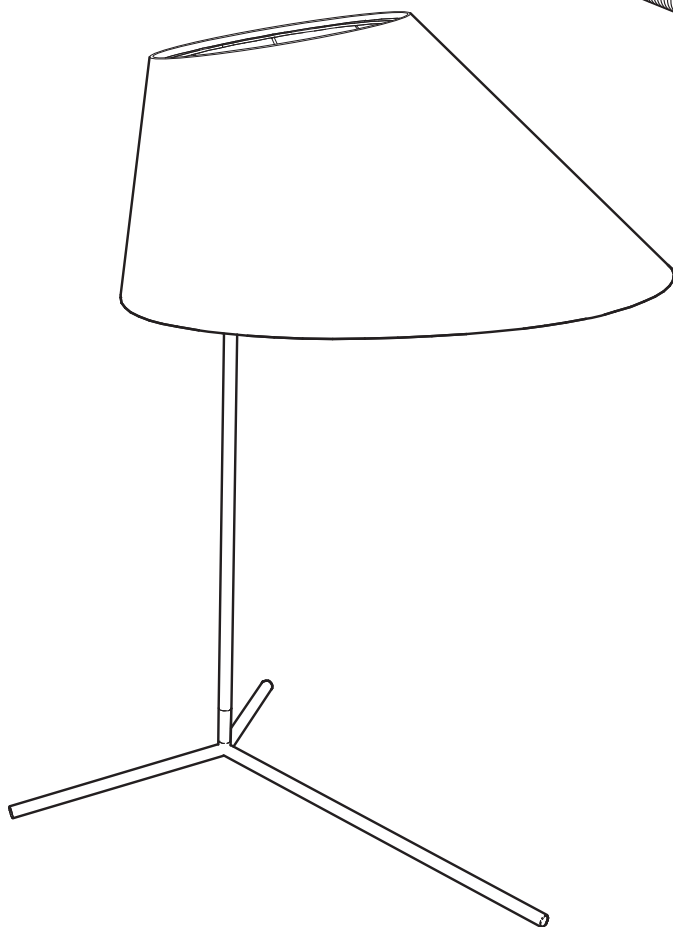
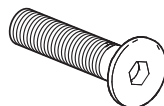
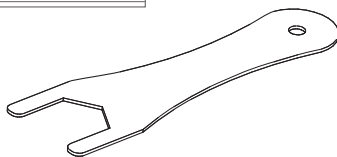
Check with your Local Authority or retailer for recycling advice.

## Excluded

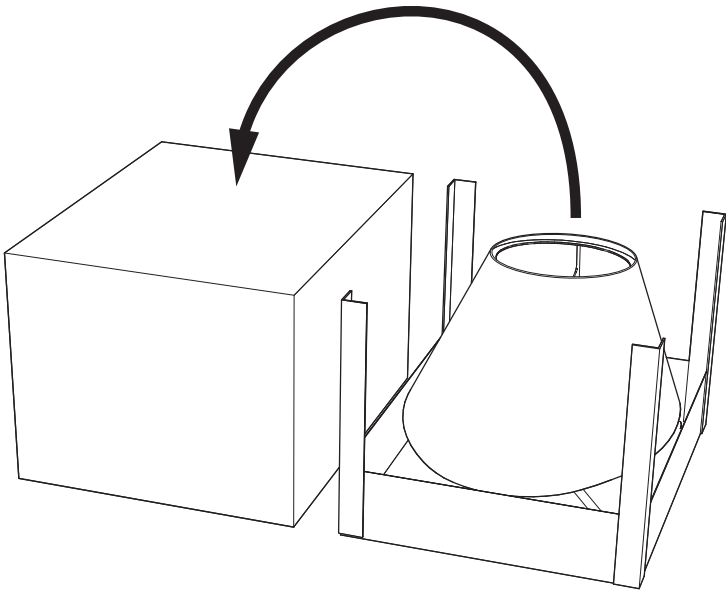
---



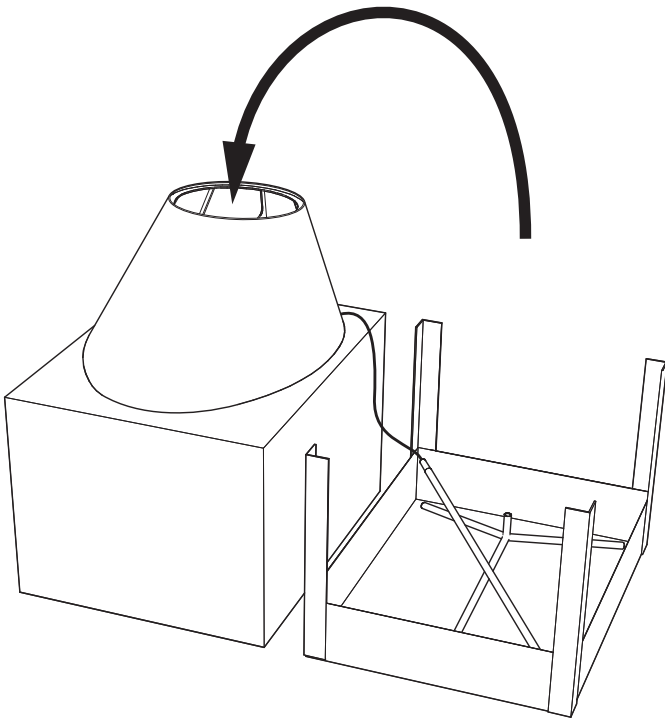
## Included BuzziShade Standing



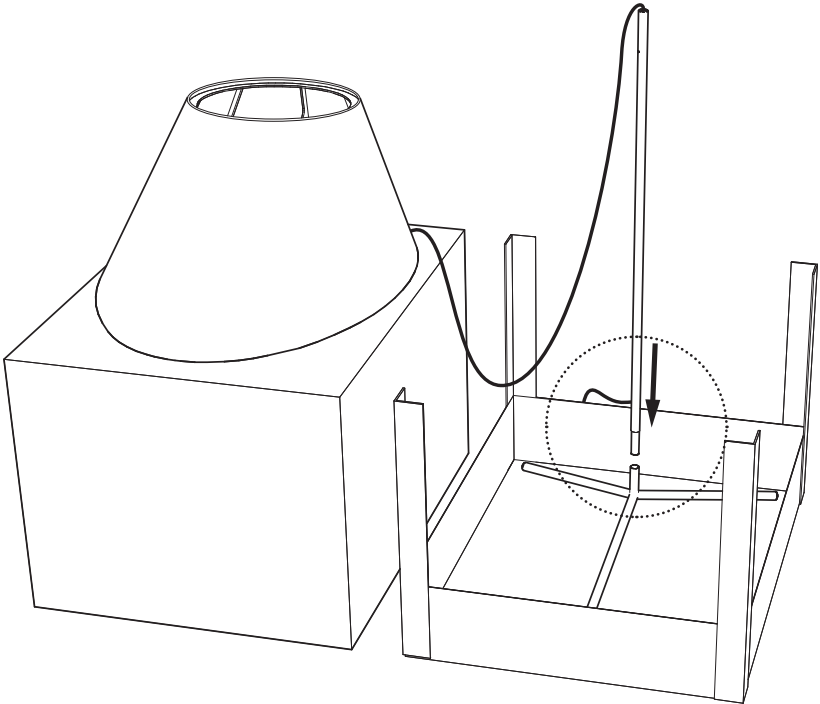
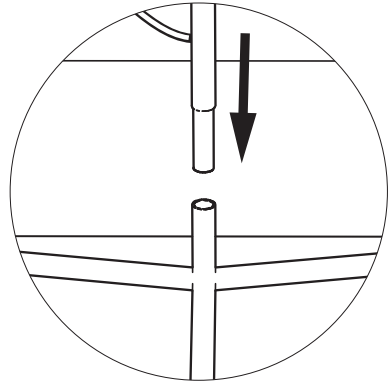
**1**



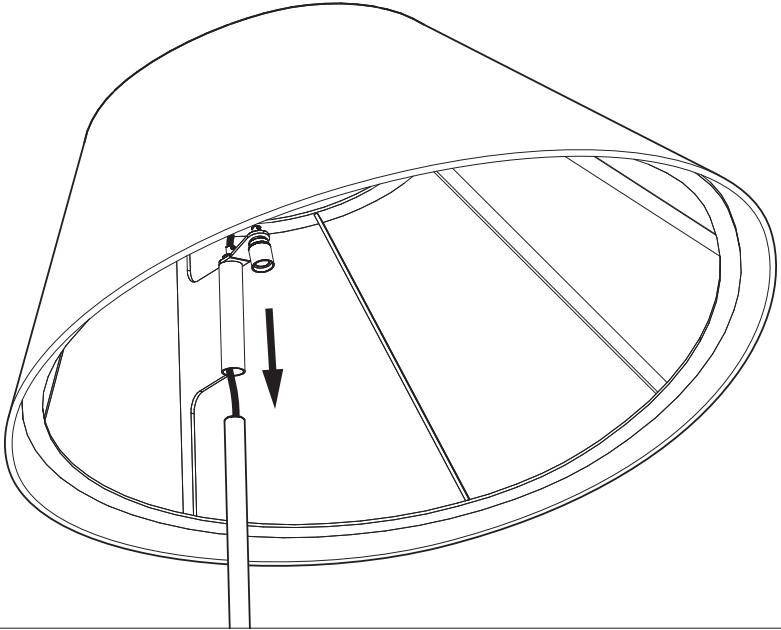
**2**



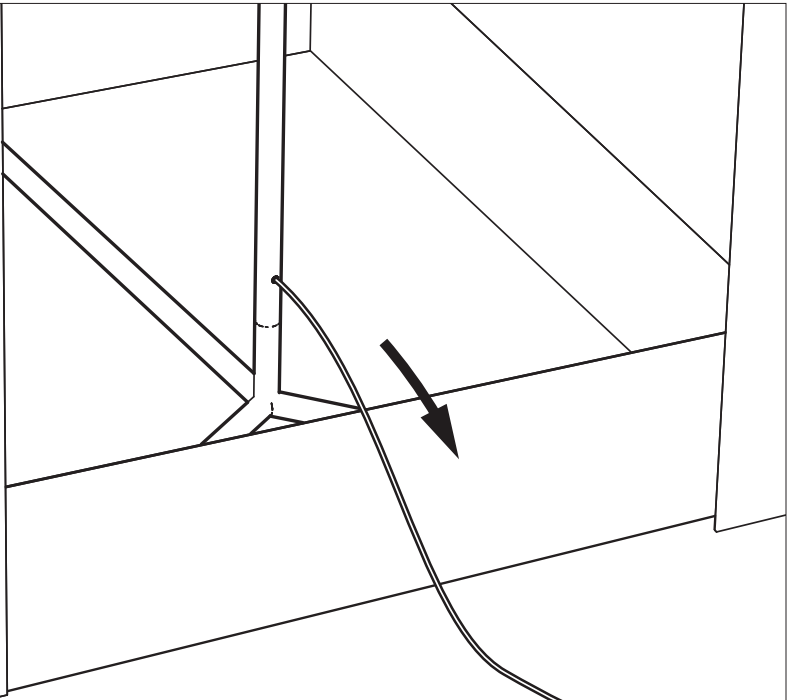
**3**



**4**

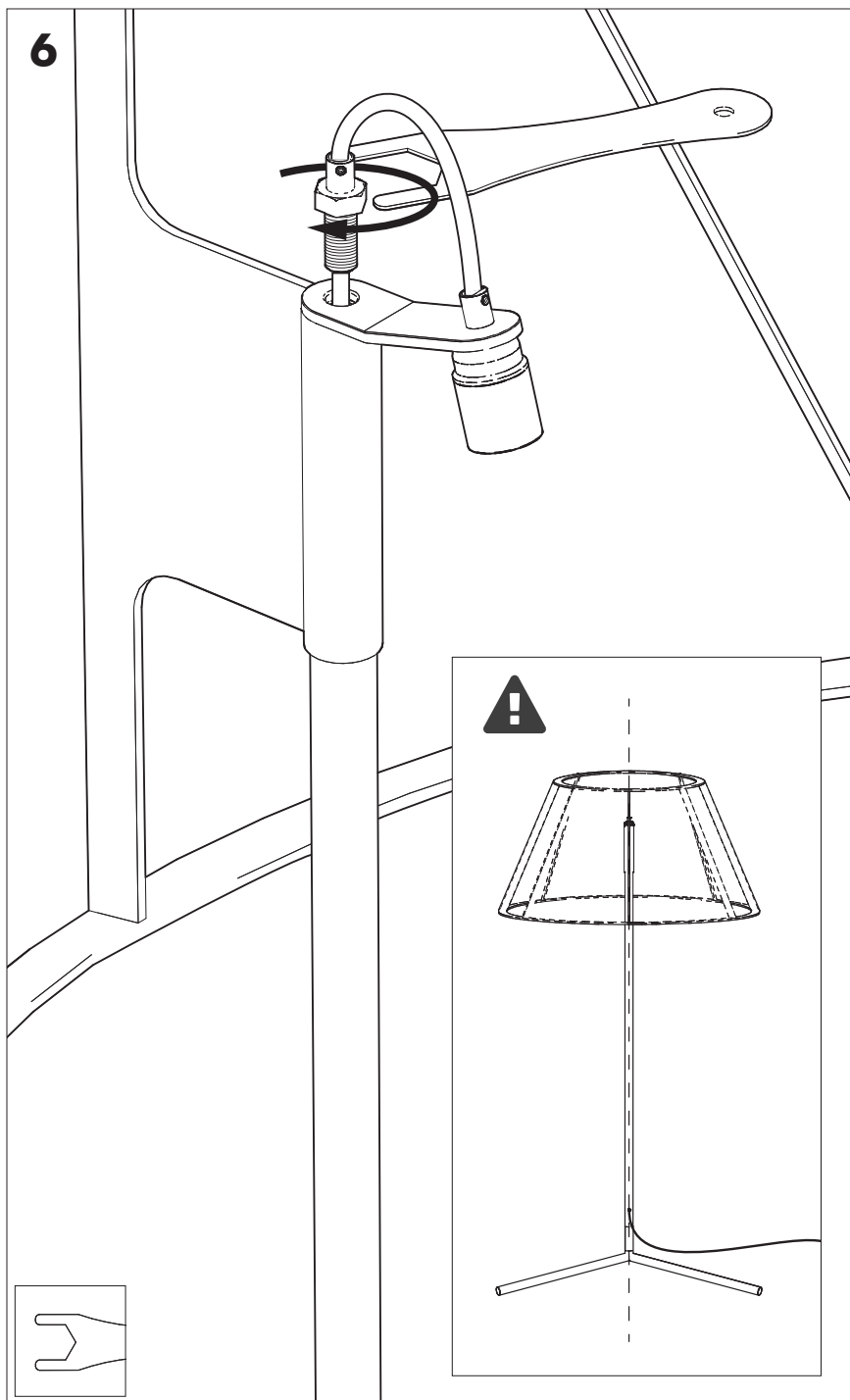


**5**

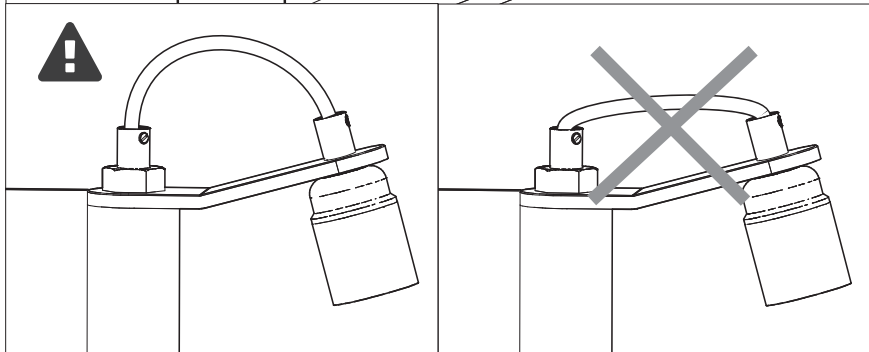
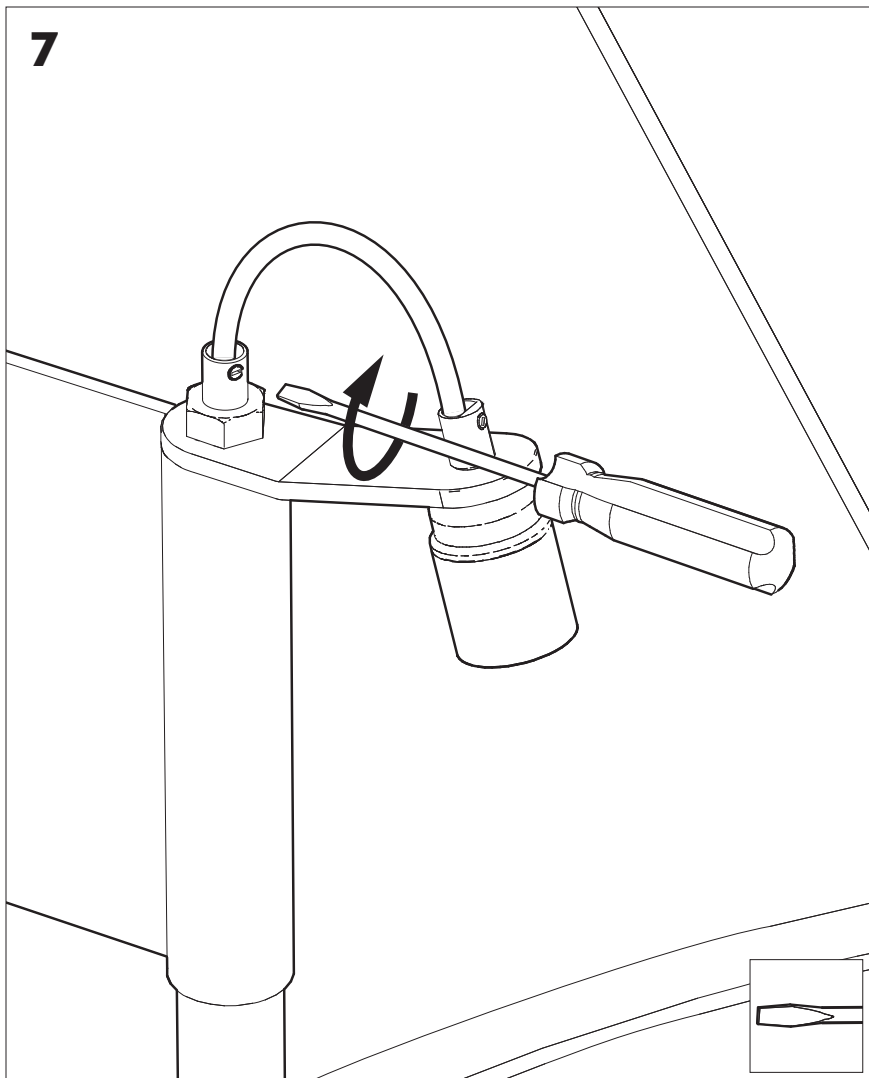


**6**

6



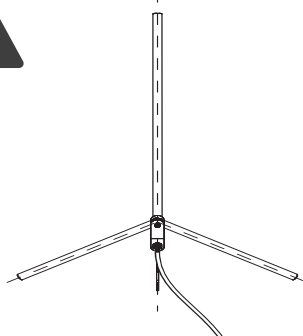
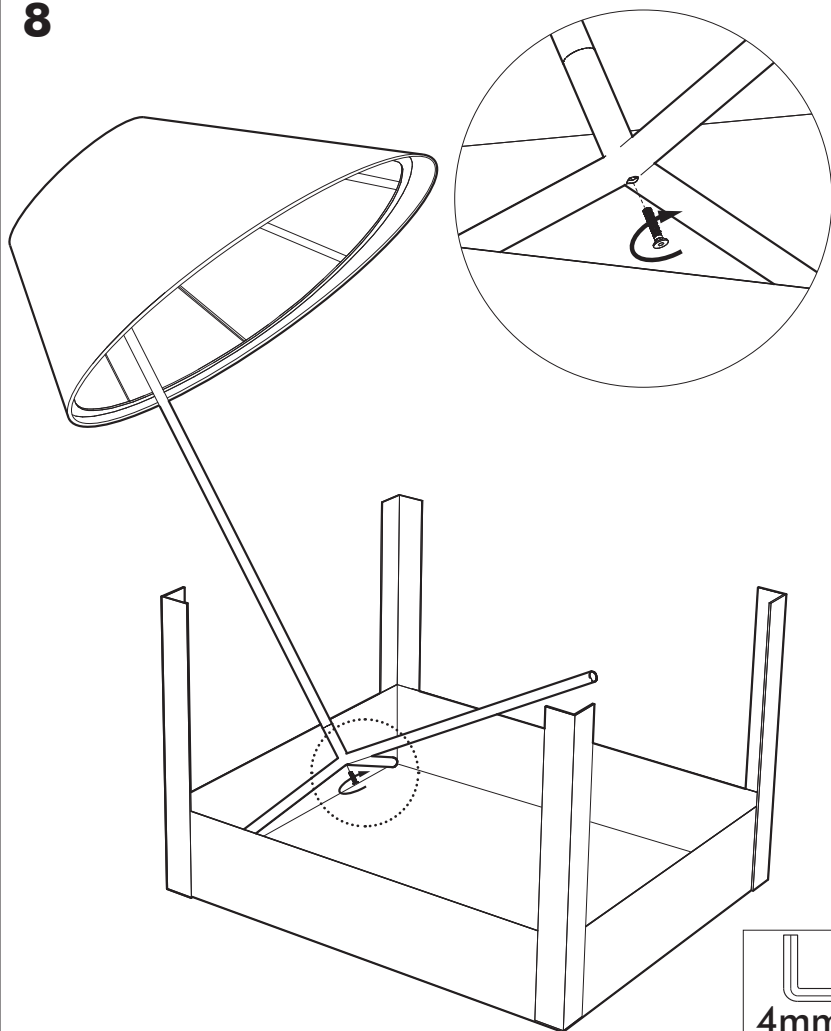
7



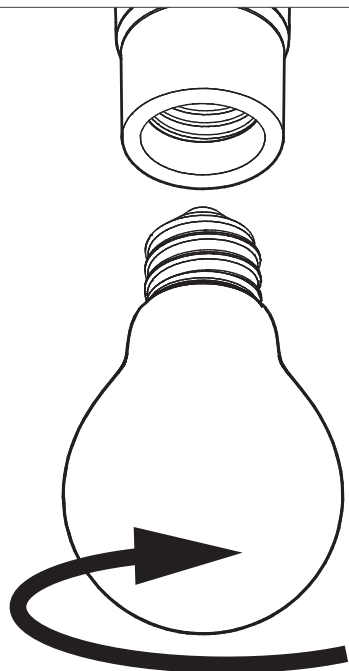
8



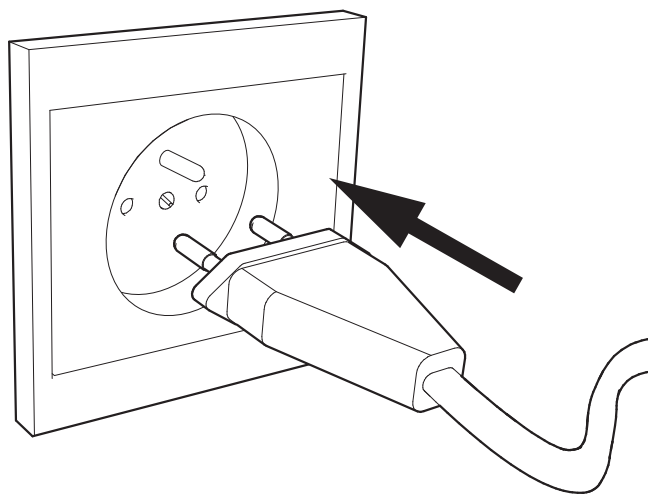
8



9

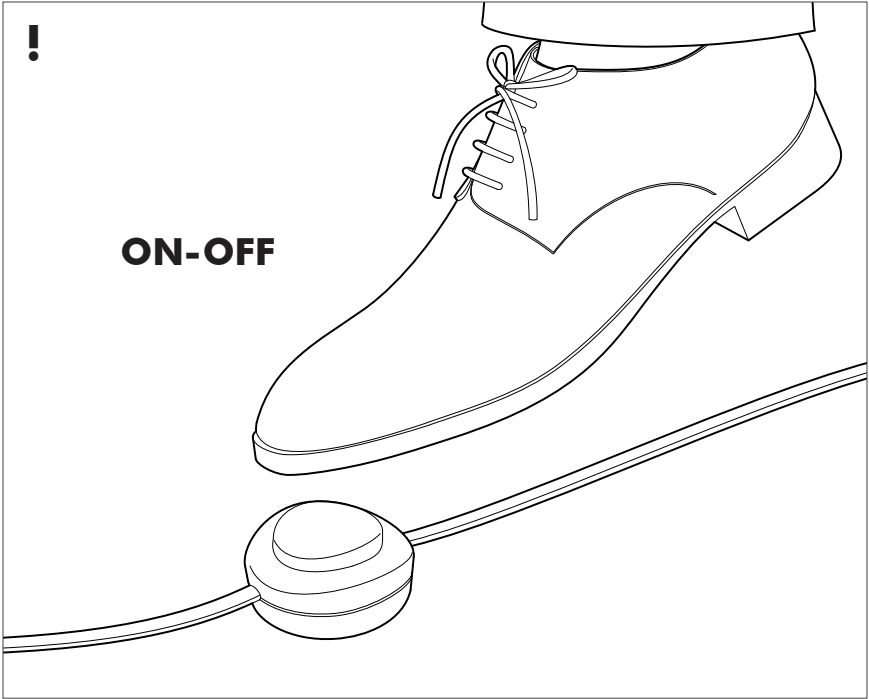


10



!

**ON-OFF**

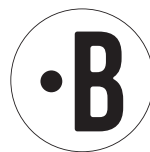


BuzziSpace Group NV  
Italiëlei 8, 2000 Antwerp  
Belgium

☎ +32 (0)3 846 10 00

✉ [info@buzzi.space](mailto:info@buzzi.space)

🌐 [www.buzzi.space](http://www.buzzi.space)



Doc nr.: A-0000001327/02

Last update: 12/12/2023