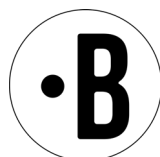
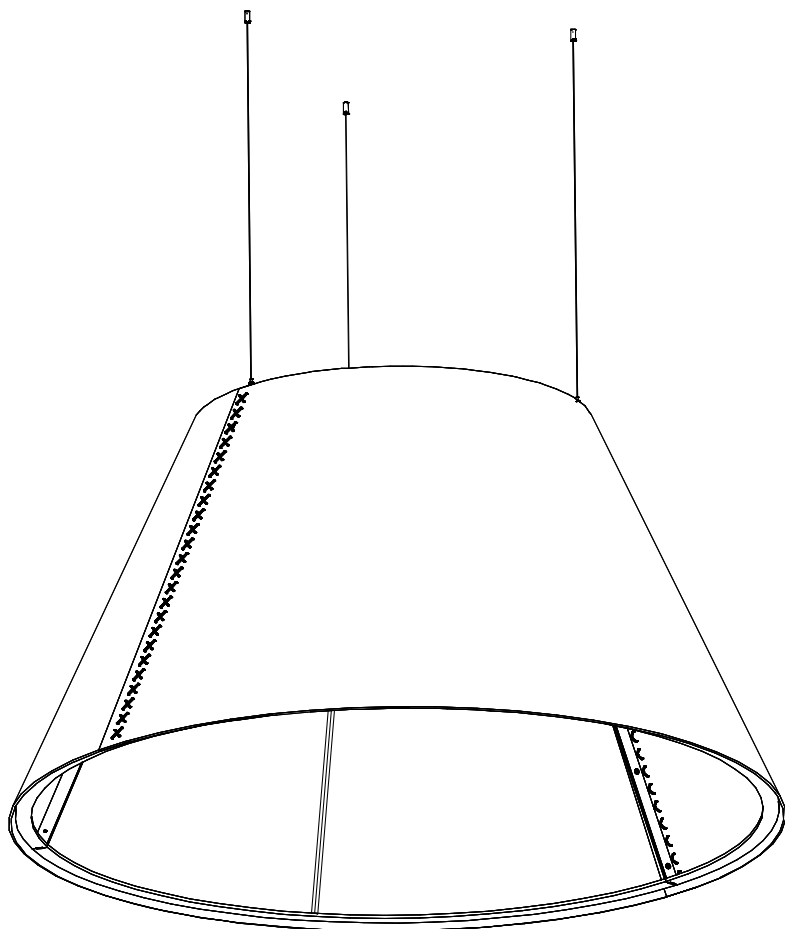


# BuzziShade XL - XXL

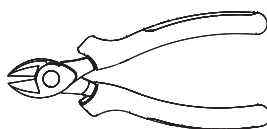
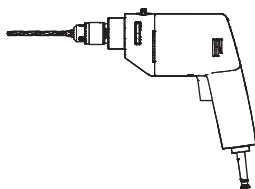
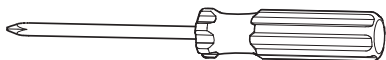
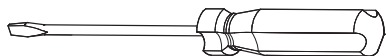
## Excluding Electrical Components

### INSTALLATION MANUAL

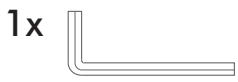
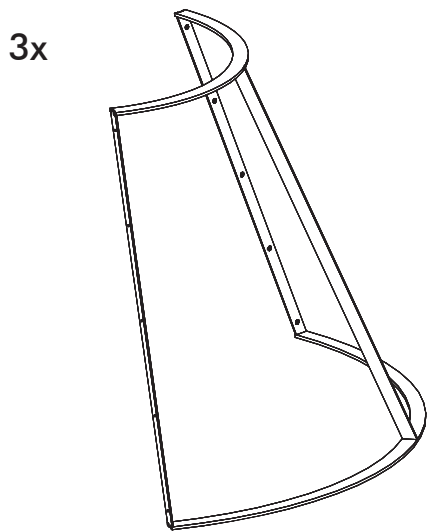
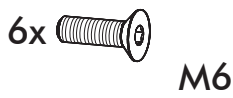
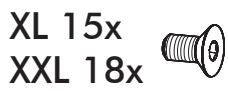
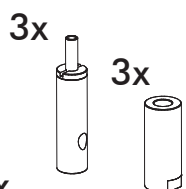
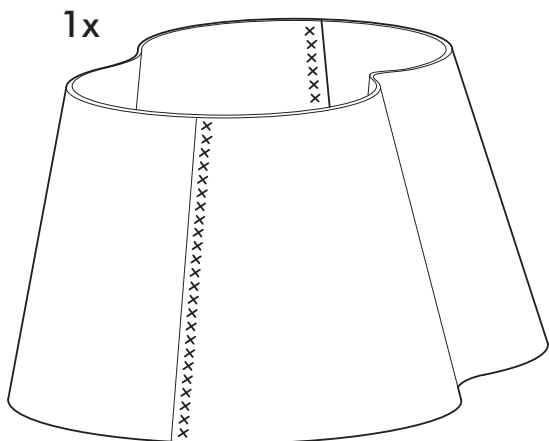
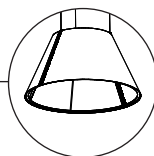


# Excluded

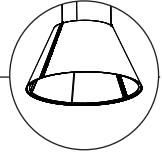
---



# Included BuzziShade XL-XXL

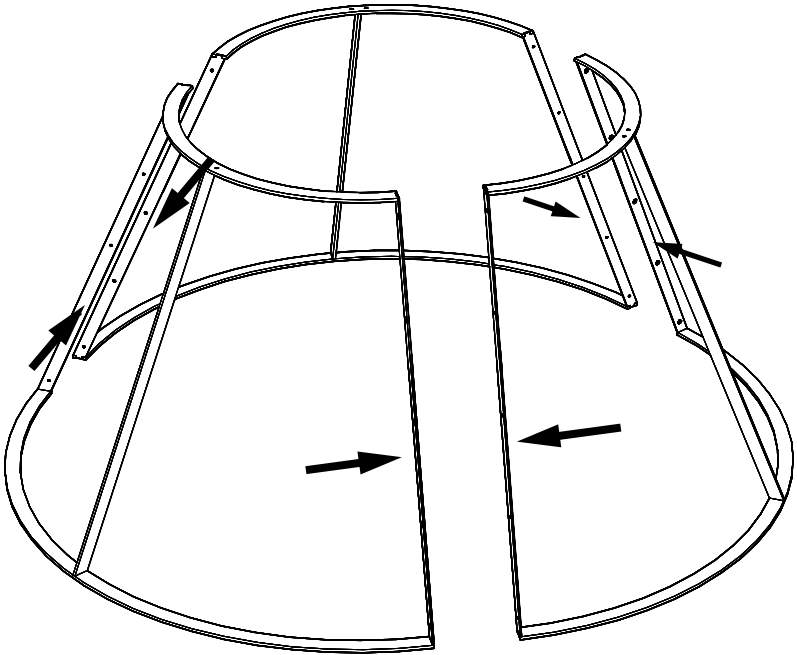


# BuzziShade XL-XXL

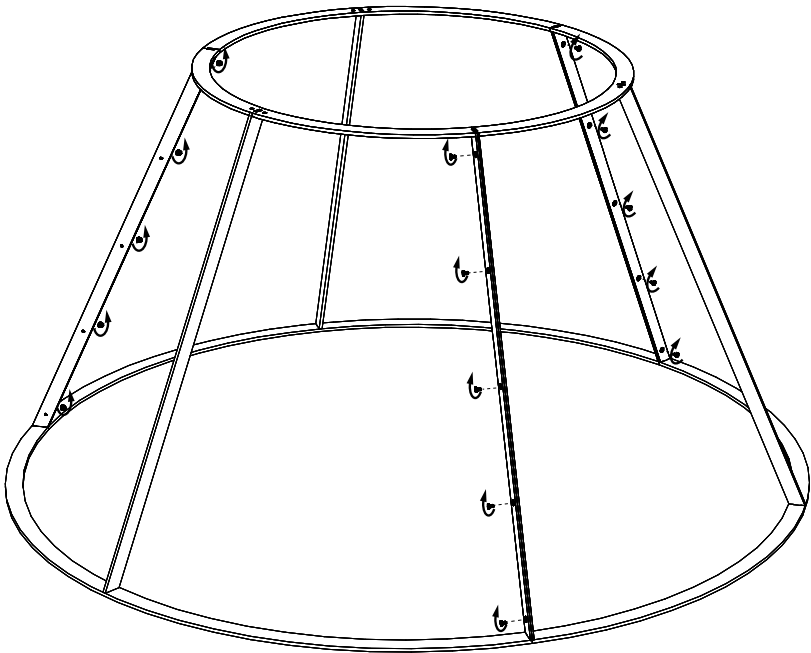
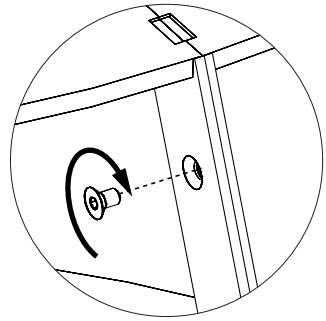


2 PERS. 

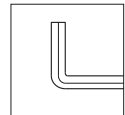
**1**



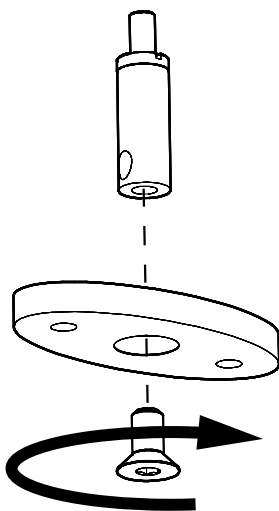
2



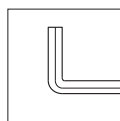
XL 12x  
XXL 15x



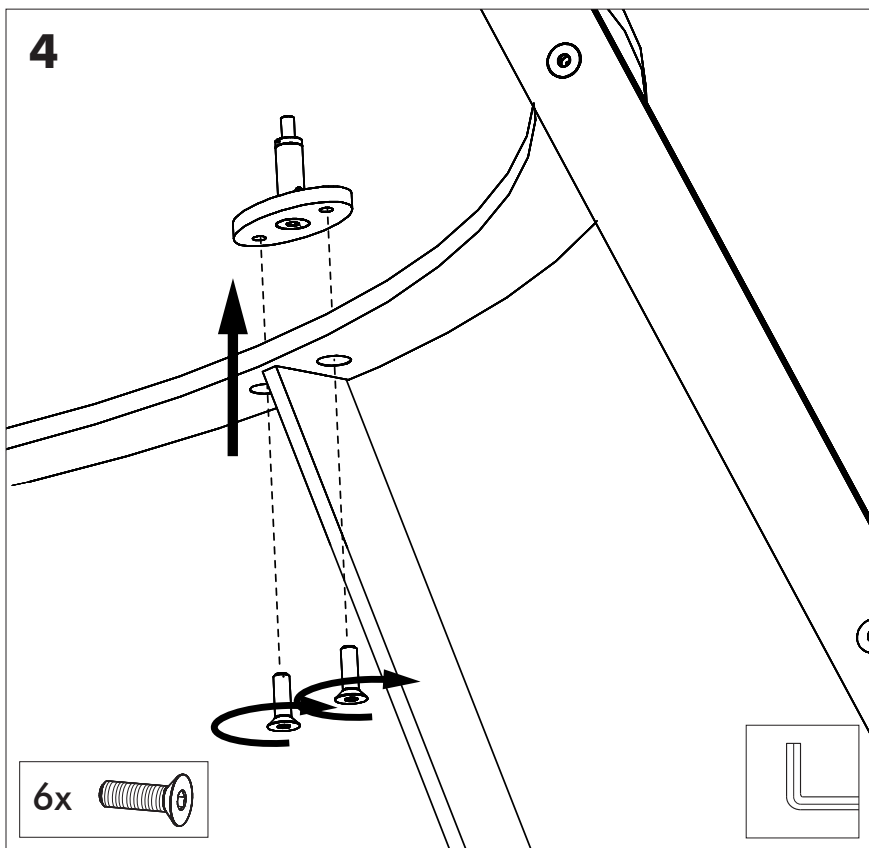
**3**



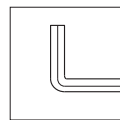
3x



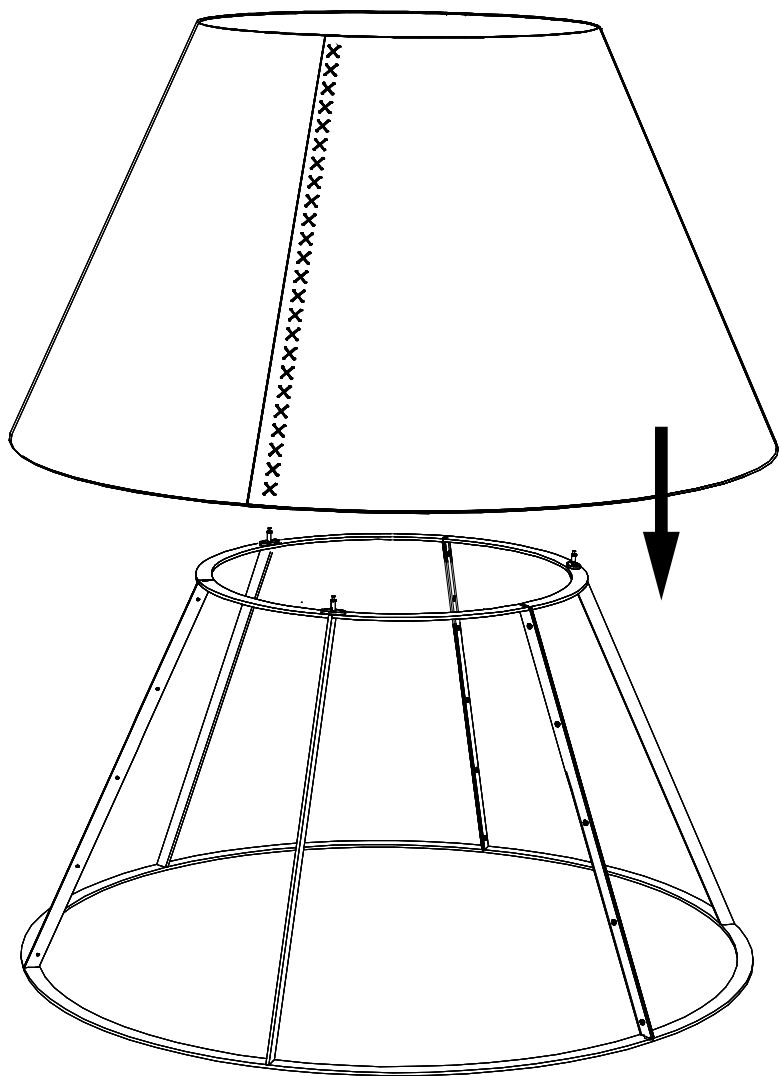
**4**



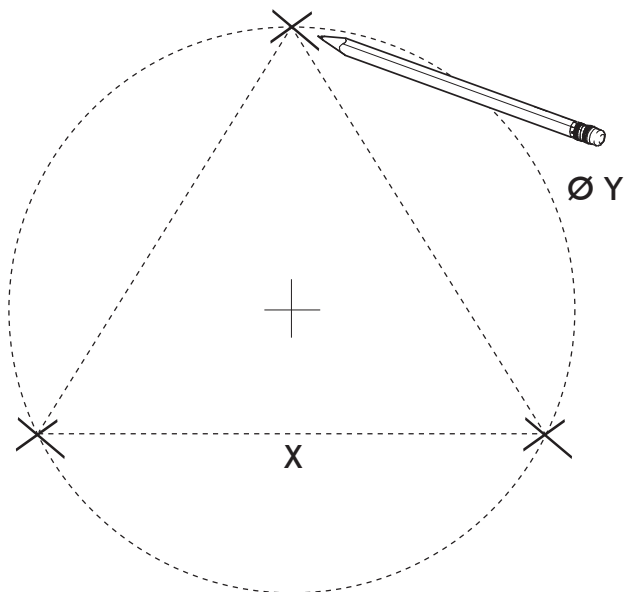
6x



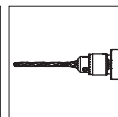
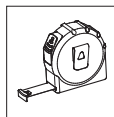
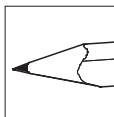
5



6

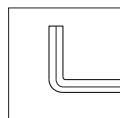


XL: X= 66 cm Y= 76 cm  
XXL: X= 83 cm Y= 96 cm

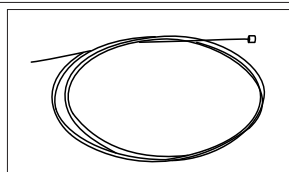
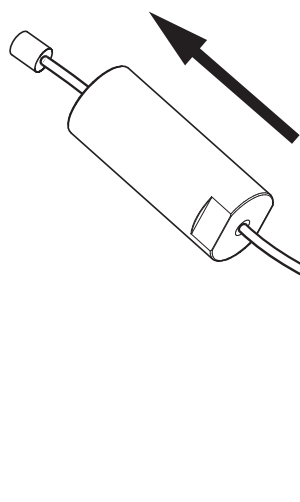




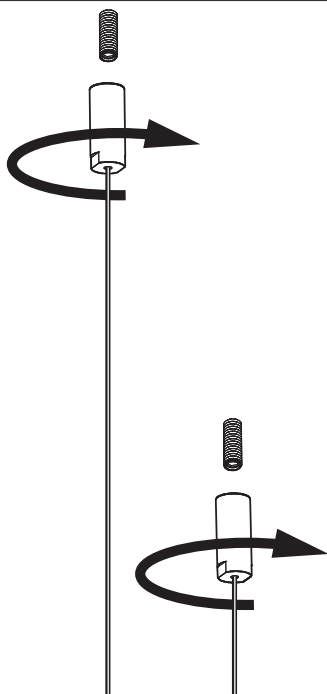
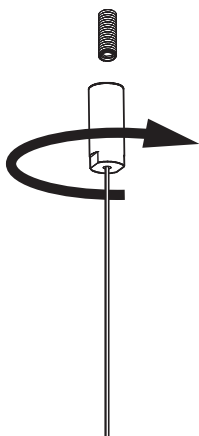
7



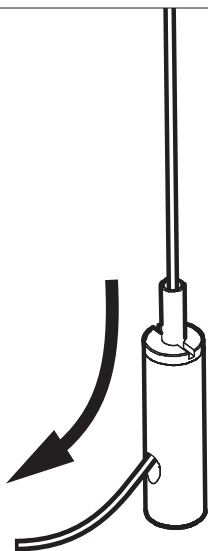
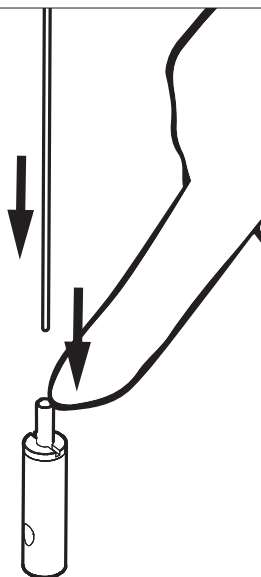
8



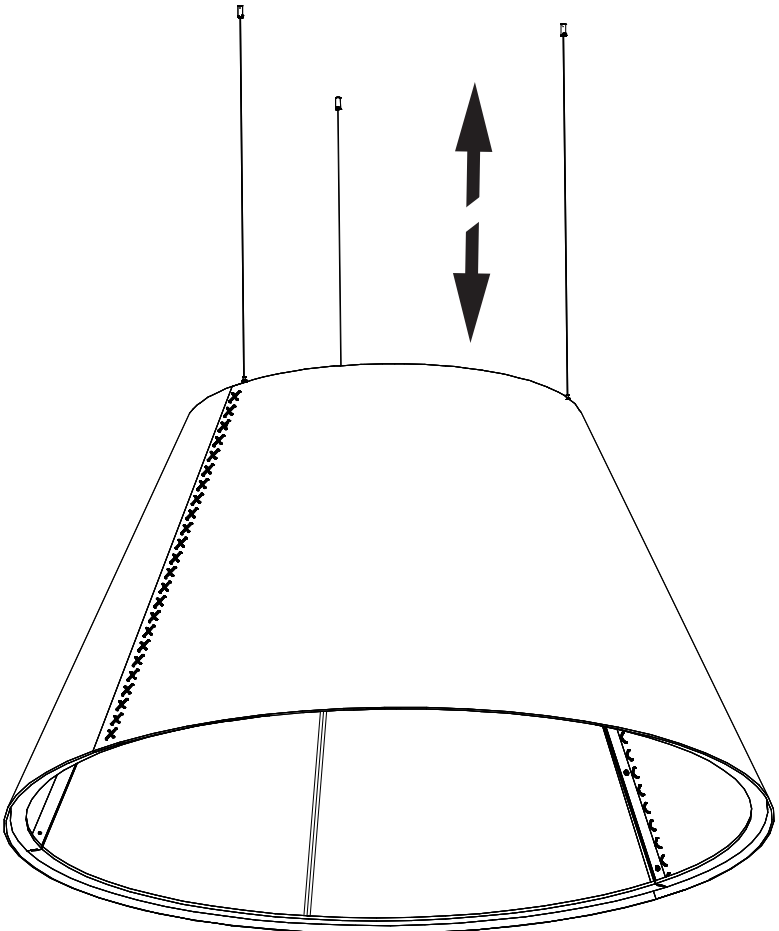
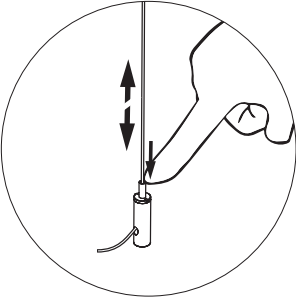
9



10



!



BuzziSpace Group NV  
Italiëlei 8, 2000 Antwerp  
Belgium

☎ +32 (0)3 846 10 00

✉ [info@buzzi.space](mailto:info@buzzi.space)

🌐 [www.buzzi.space](http://www.buzzi.space)



Doc nr.: A-0000006814/01

Last update: 12/12/2023