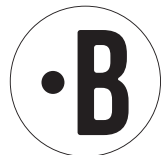
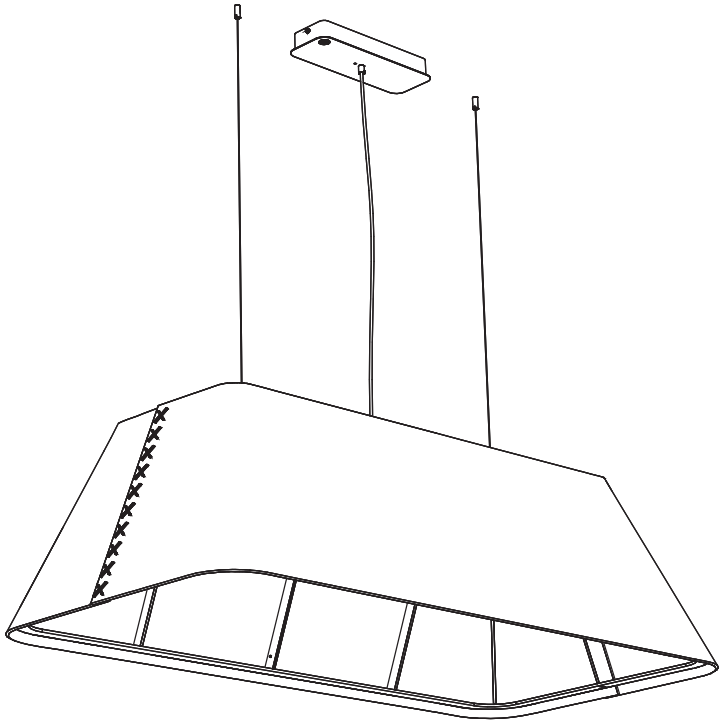


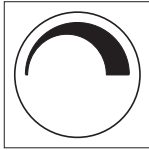
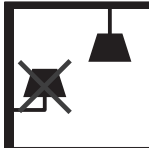
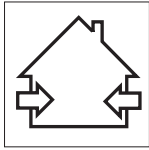
BuzziShade Square Beam

INSTALLATION MANUAL

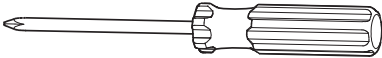
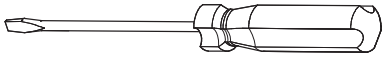
100V-240V/277V



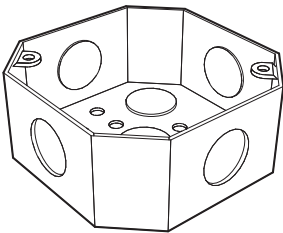
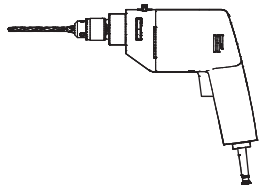
Technical info



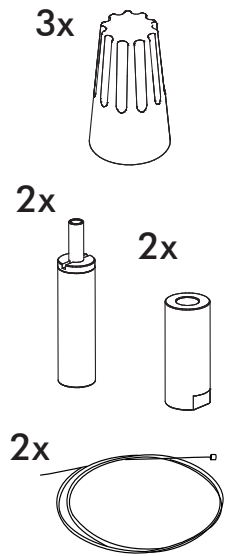
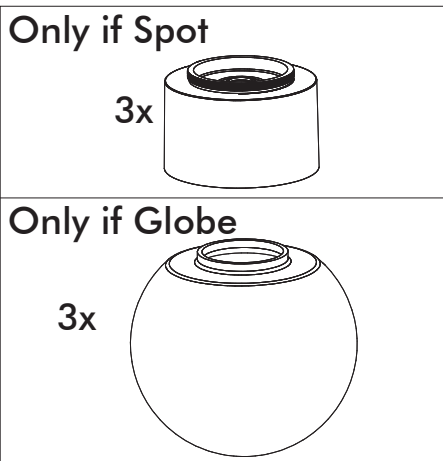
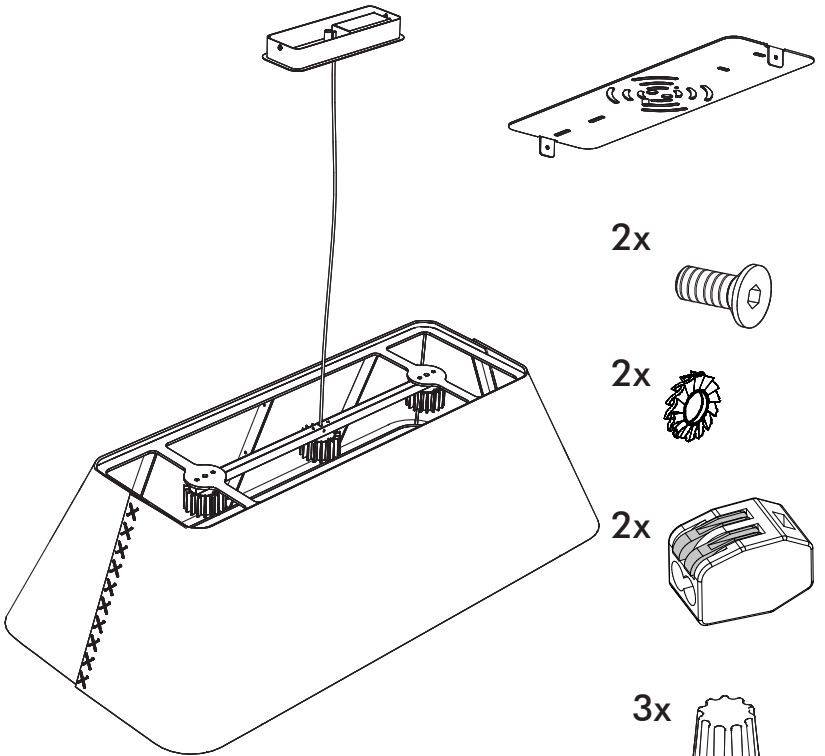
Excluded



2x 

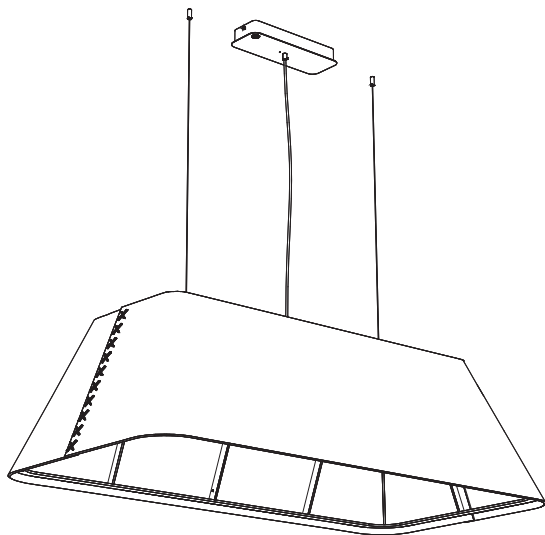


Included BuzziShade Square Beam Globe | Spot



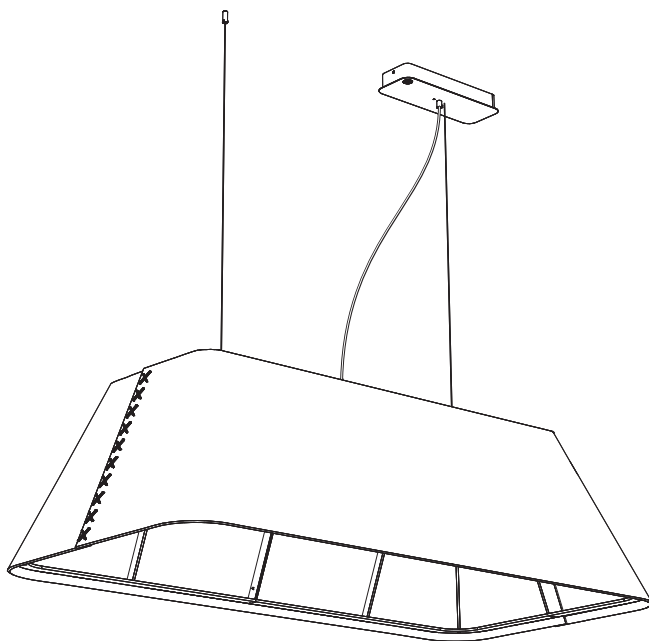
Configuration Type A

P.5



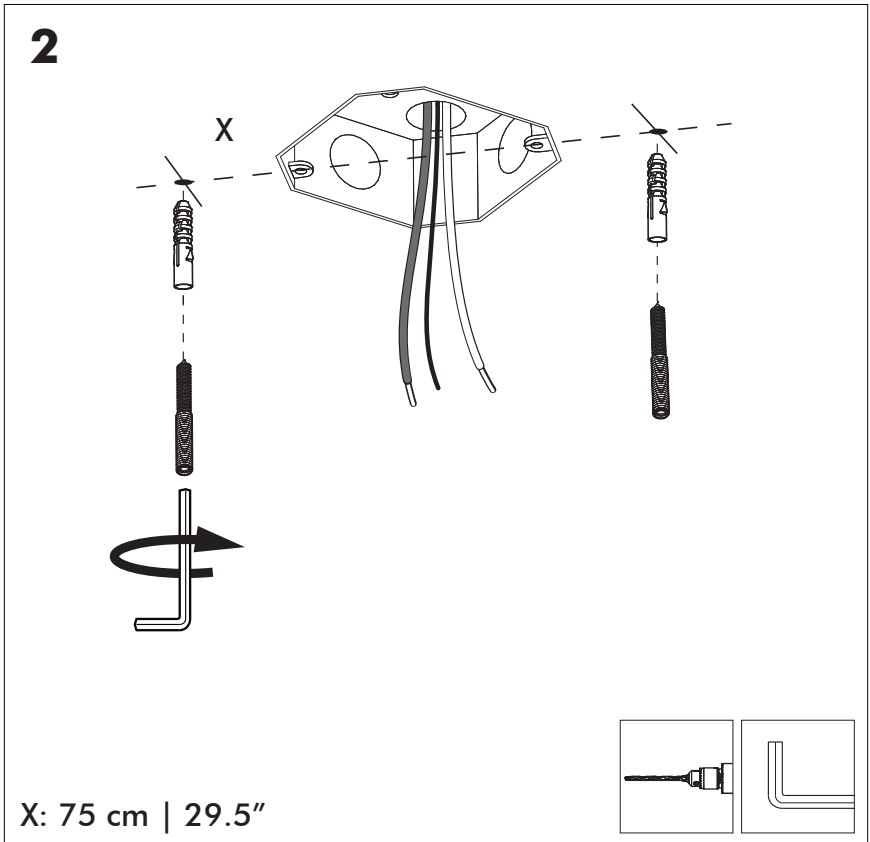
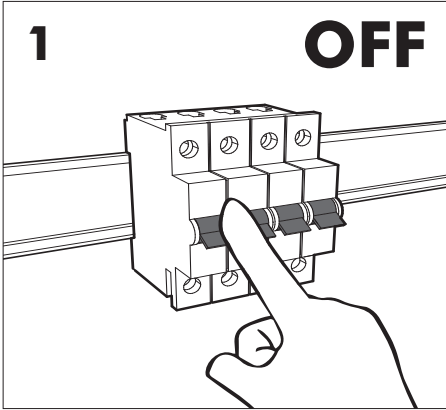
Configuration Type B

P.14

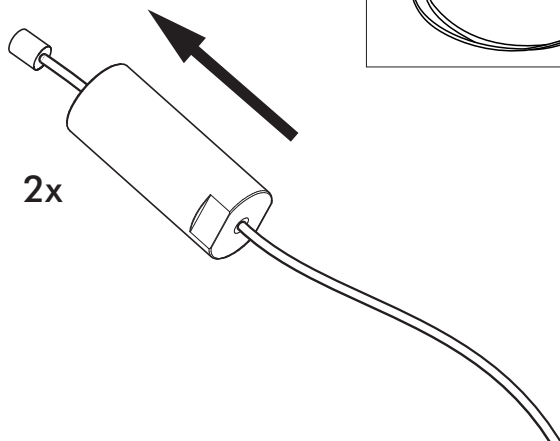


BuzziShade Square Beam Type A

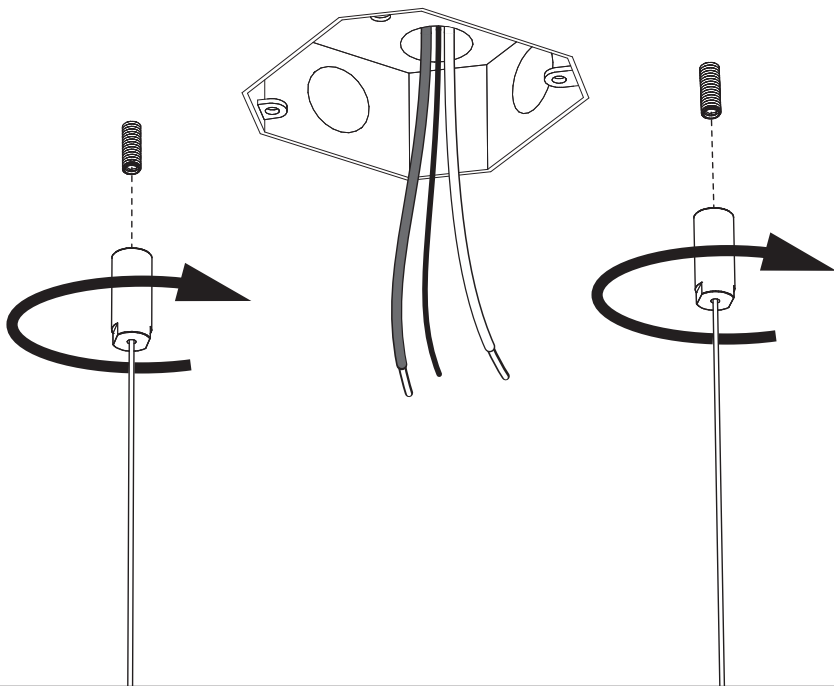
2 PERS. 



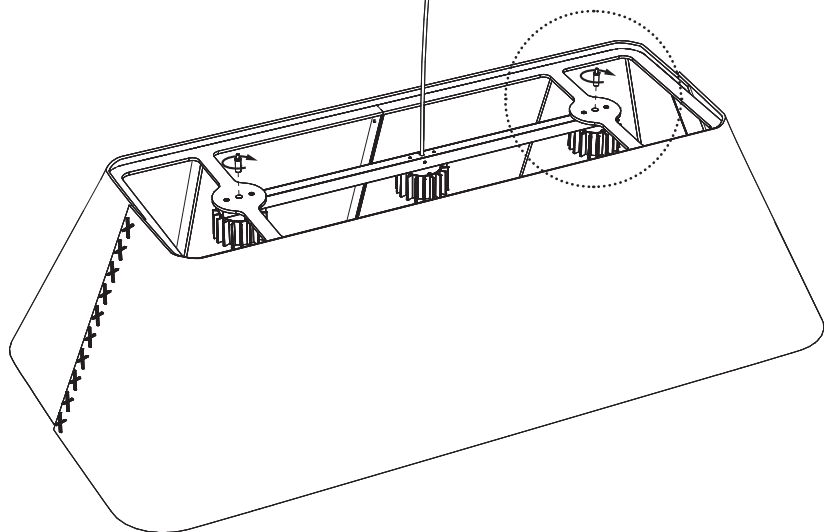
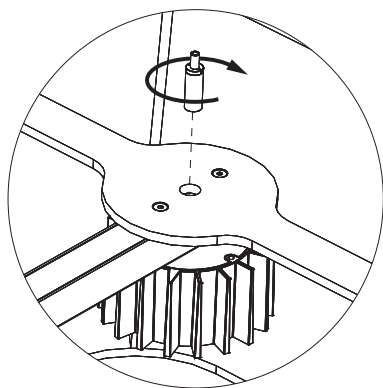
3

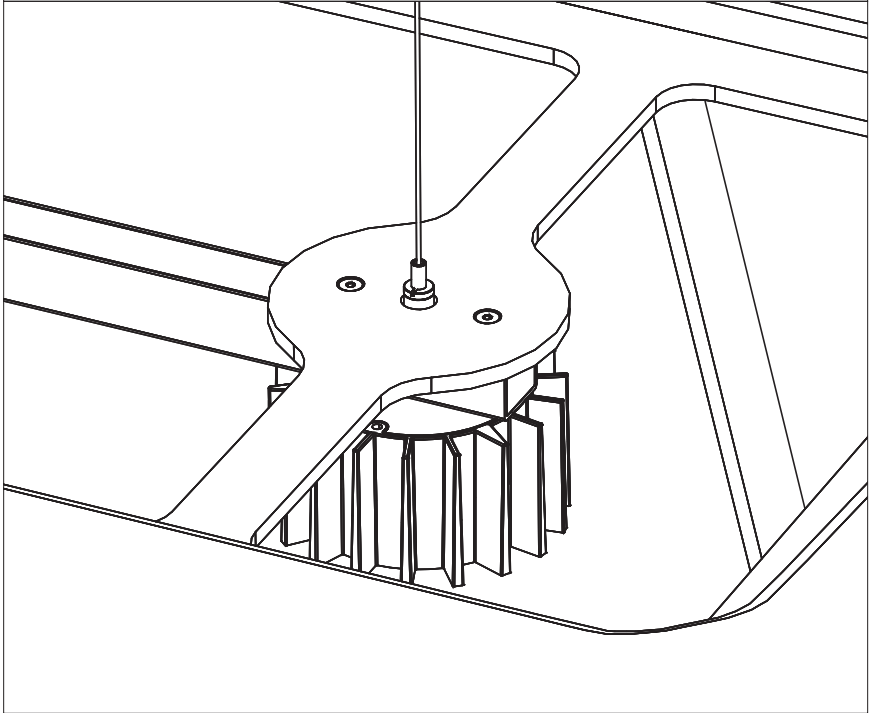
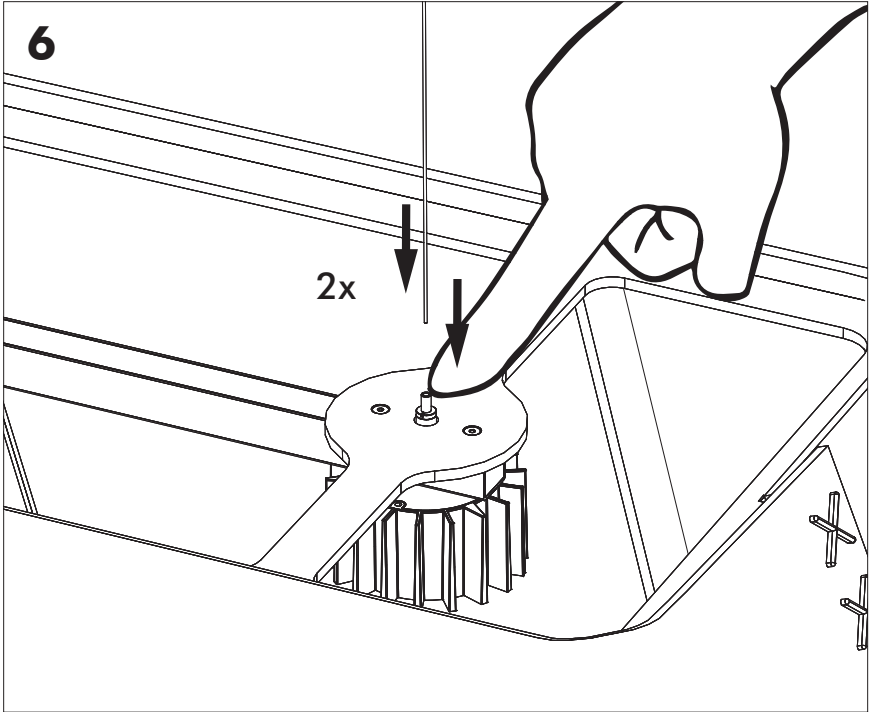


4

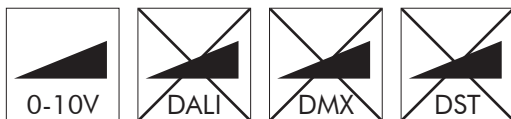


5

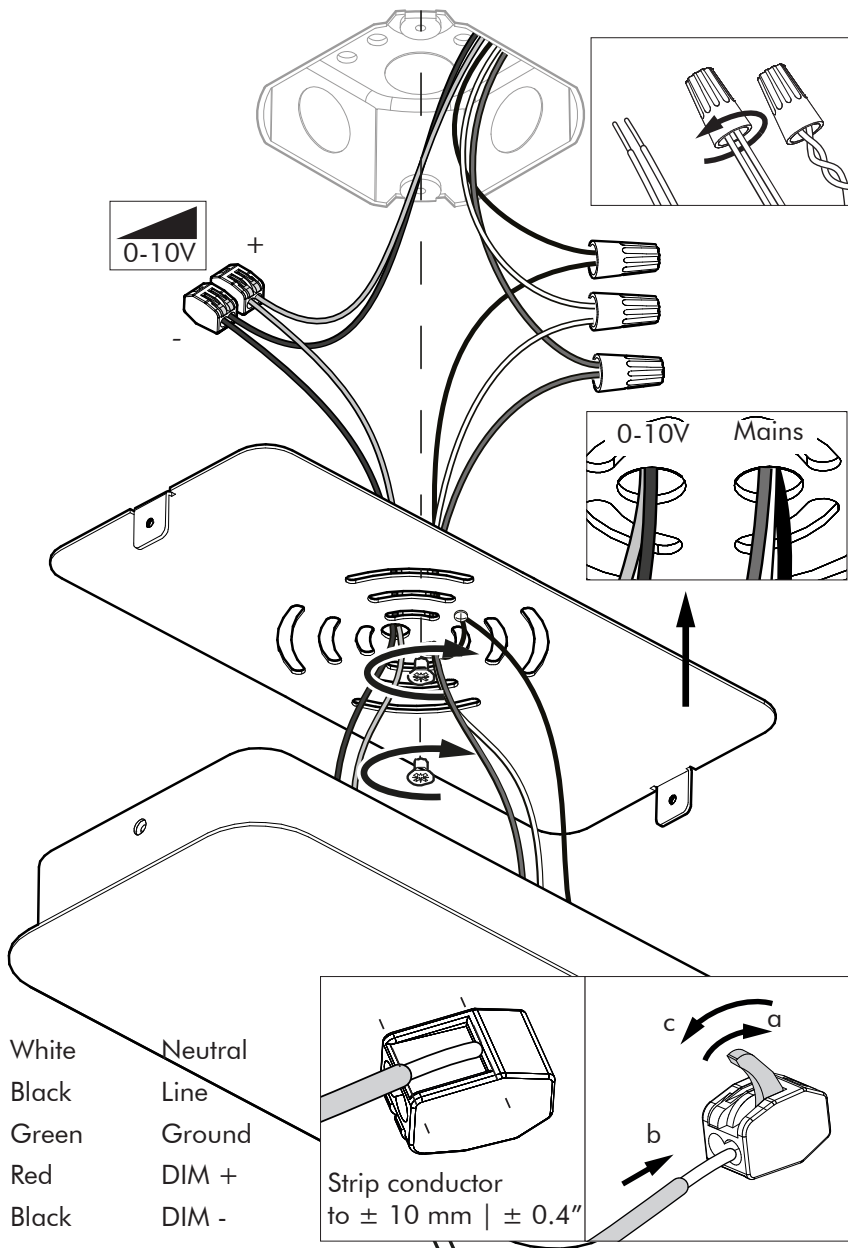




7a

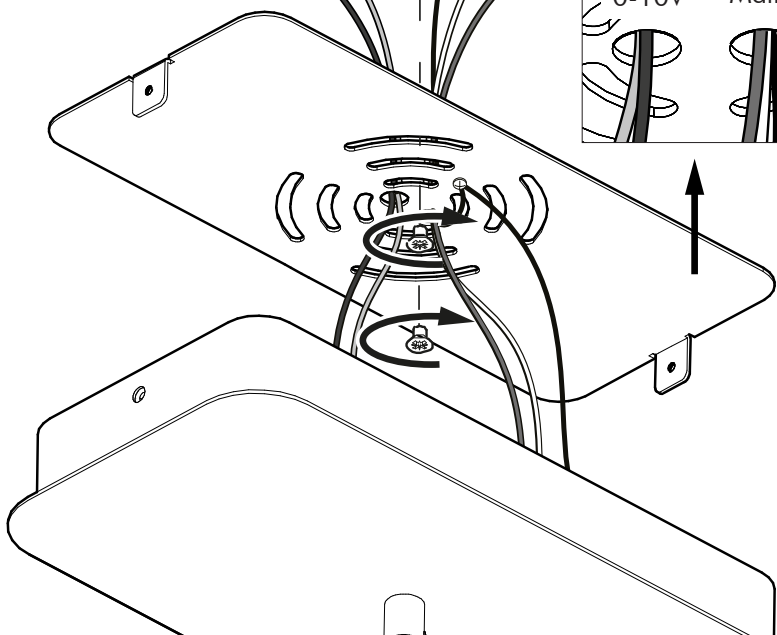
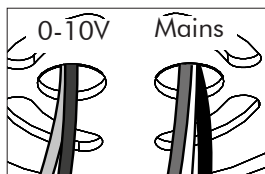
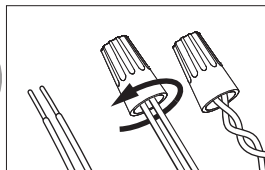
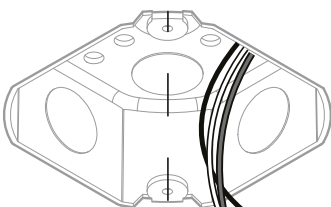
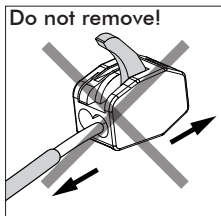


Connection including dimmable function

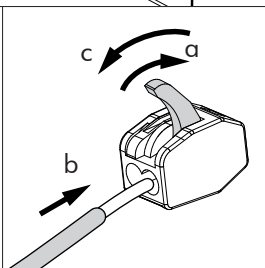
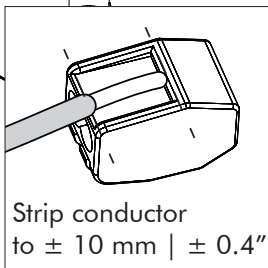


7b

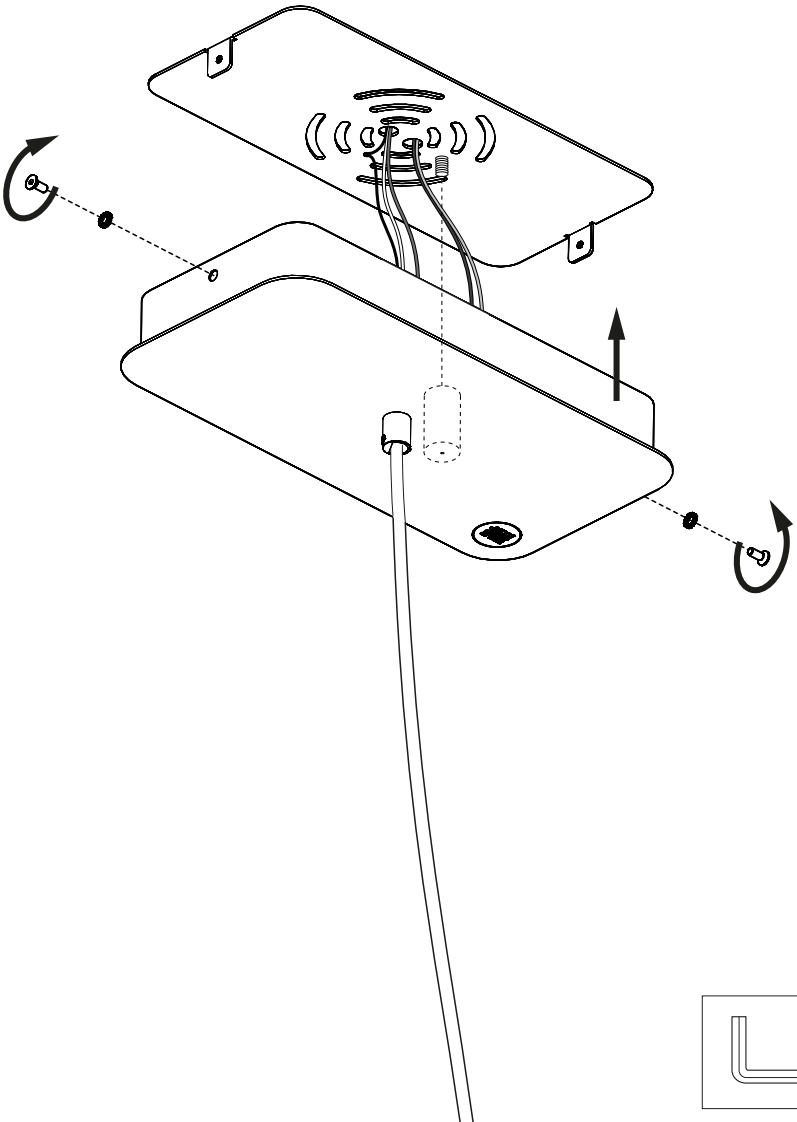
Connection excluding dimmable function



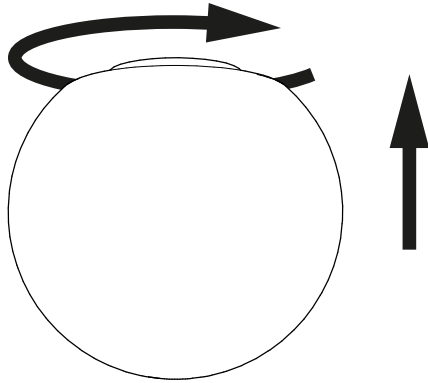
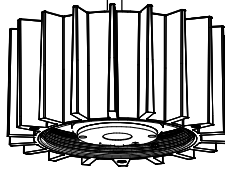
- | | |
|-------|----------|
| White | Neutral |
| Black | Line |
| Green | Ground |
| Red | Not used |
| Black | Not used |



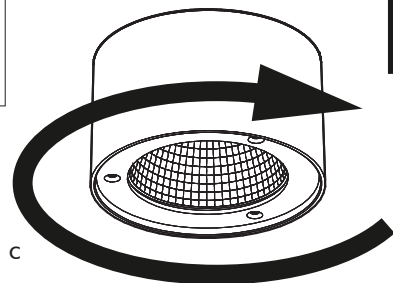
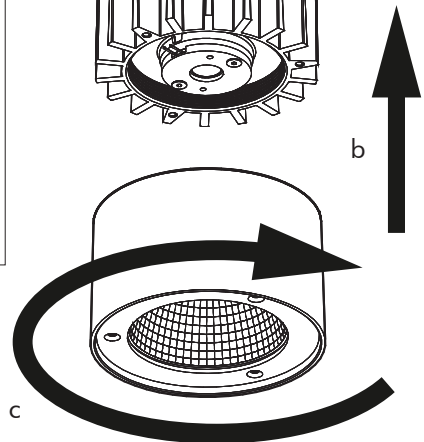
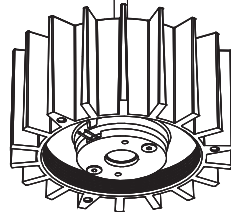
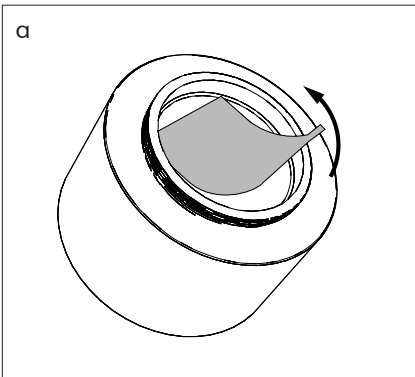
8



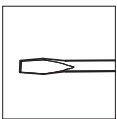
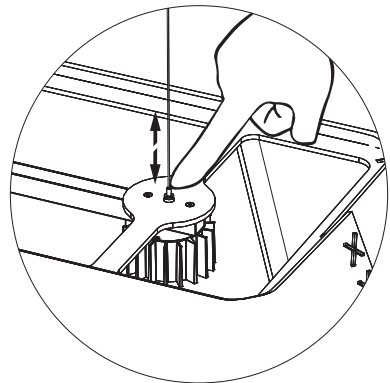
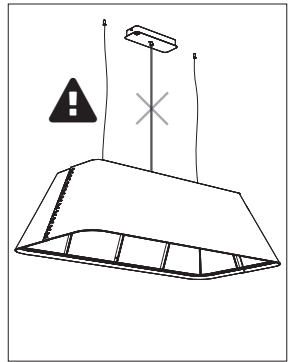
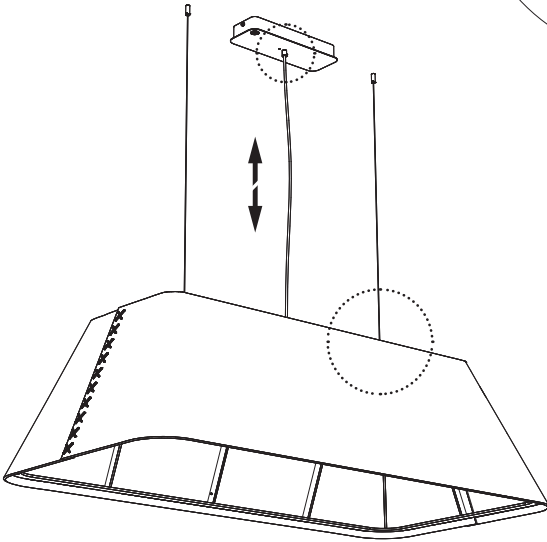
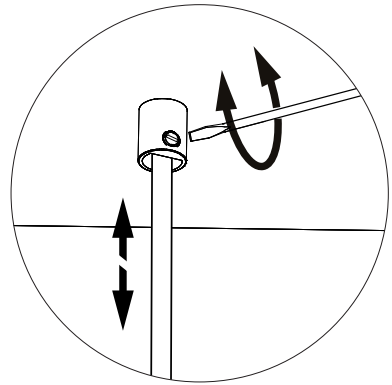
9 BuzziShade Square Globe



9 BuzziShade Square Spot

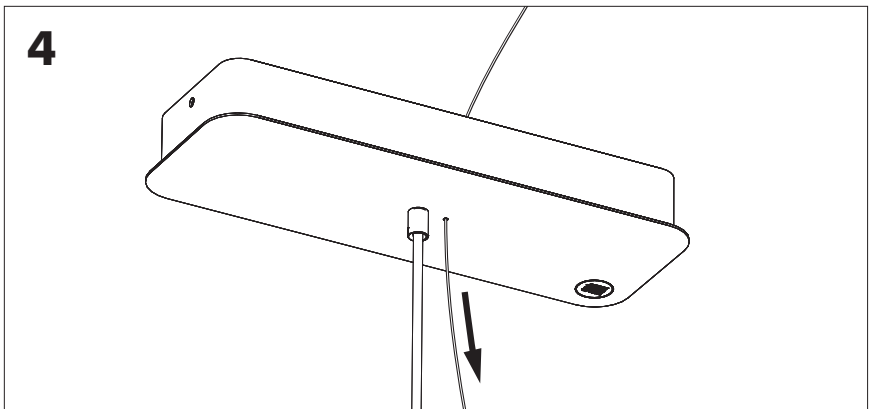
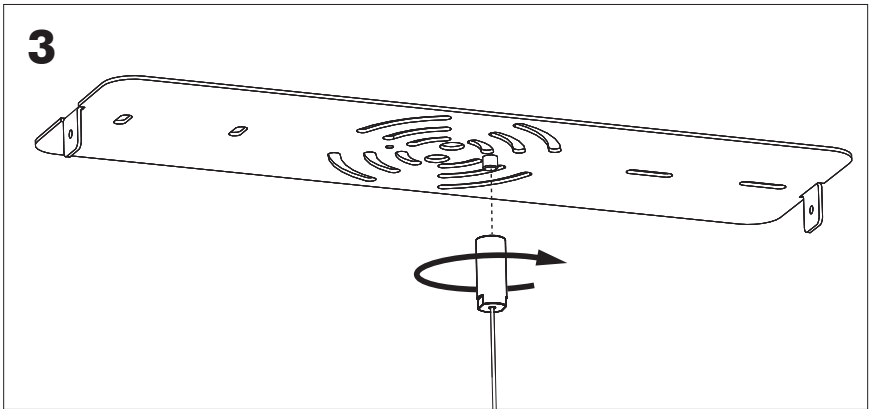
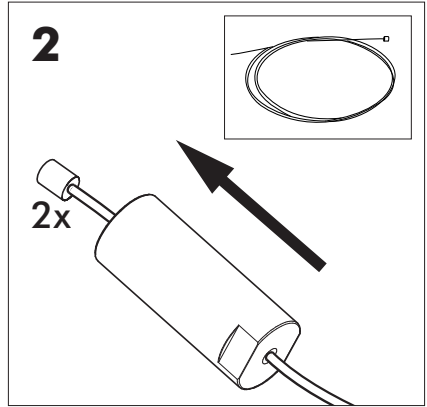
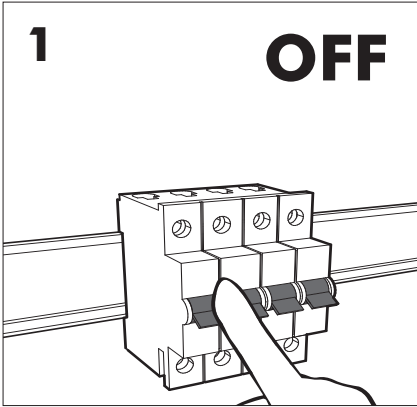


!

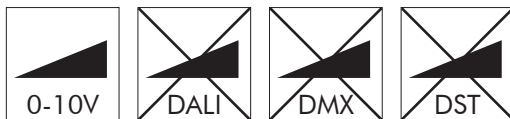


BuzziShade Square Beam Type B

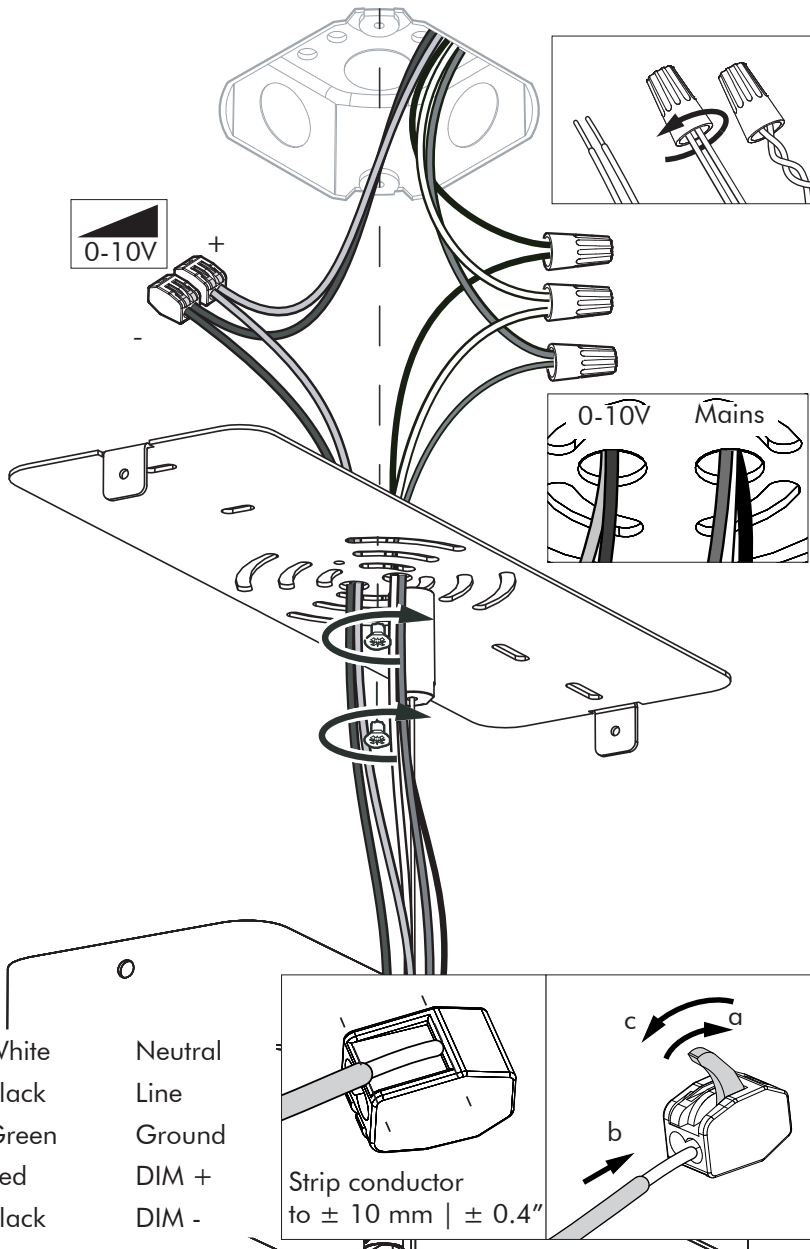
2 PERS. 



5a

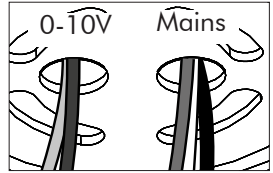
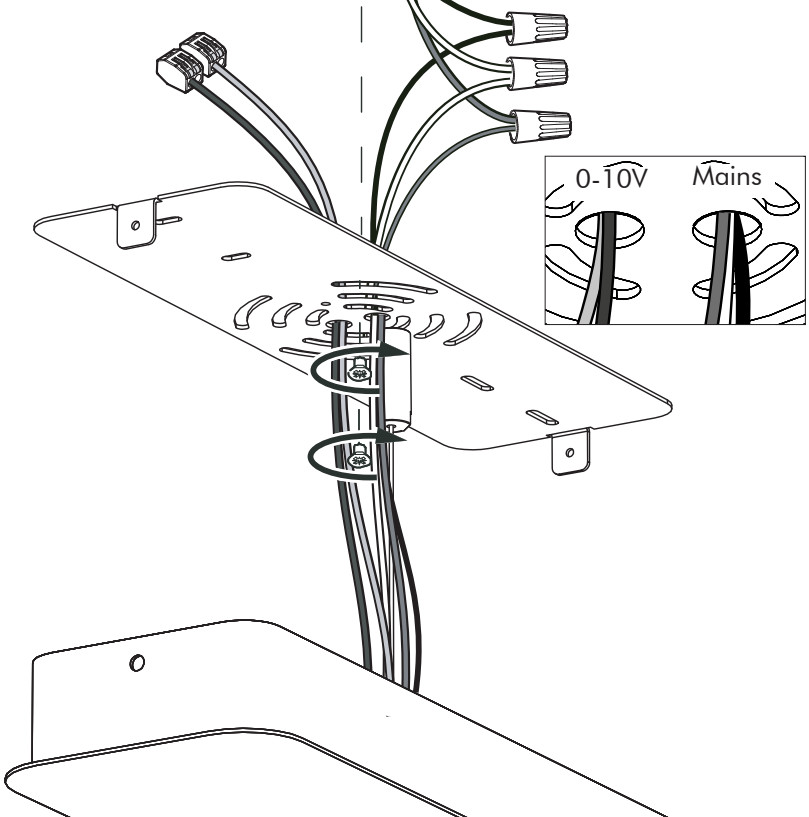
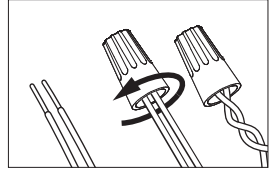
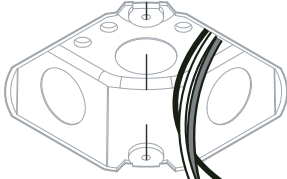
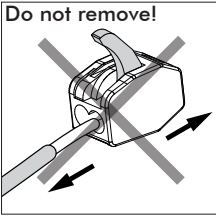


Connection including dimmable function

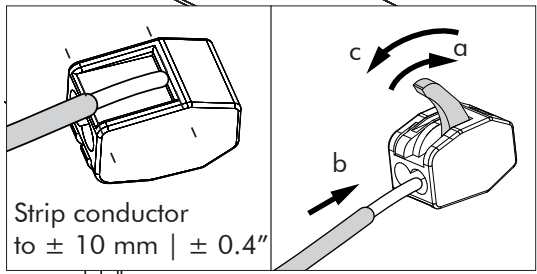


5b

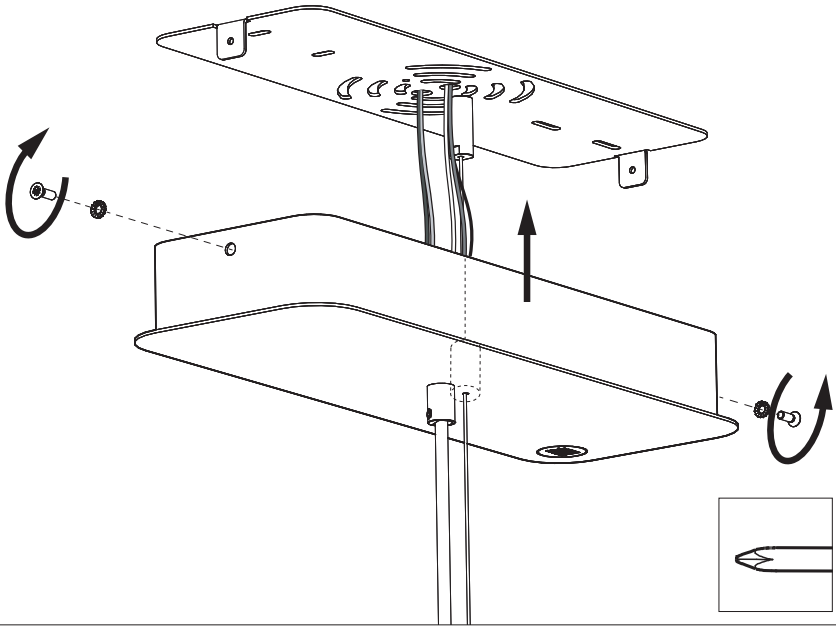
Connection excluding dimmable function



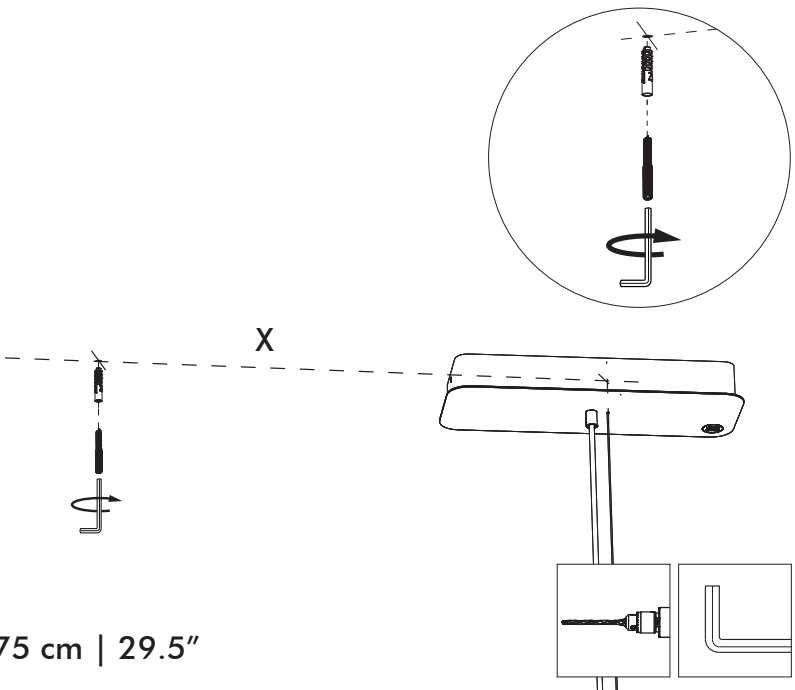
- | | |
|-------|----------|
| White | Neutral |
| Black | Line |
| Green | Ground |
| Red | Not used |
| Black | Not used |



6

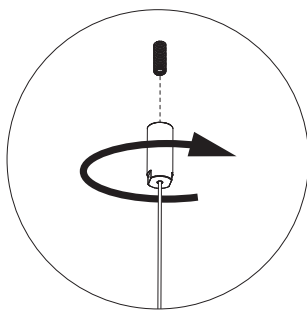
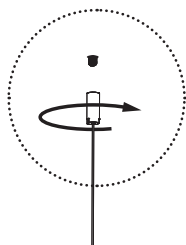


7

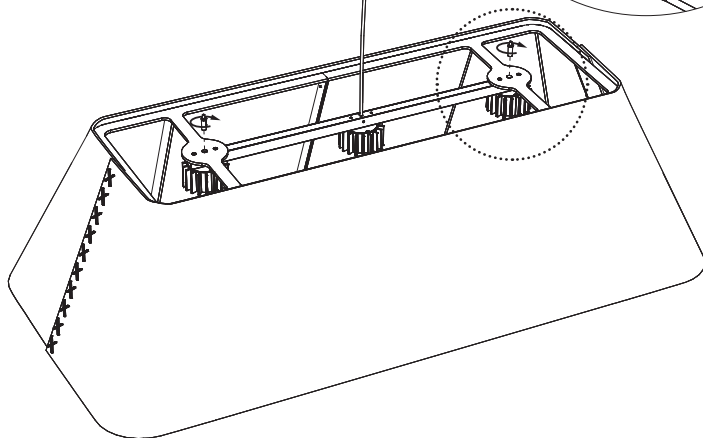
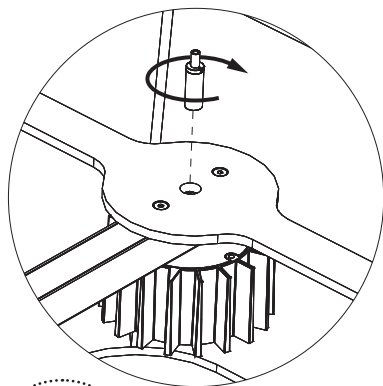


X: 75 cm | 29.5"

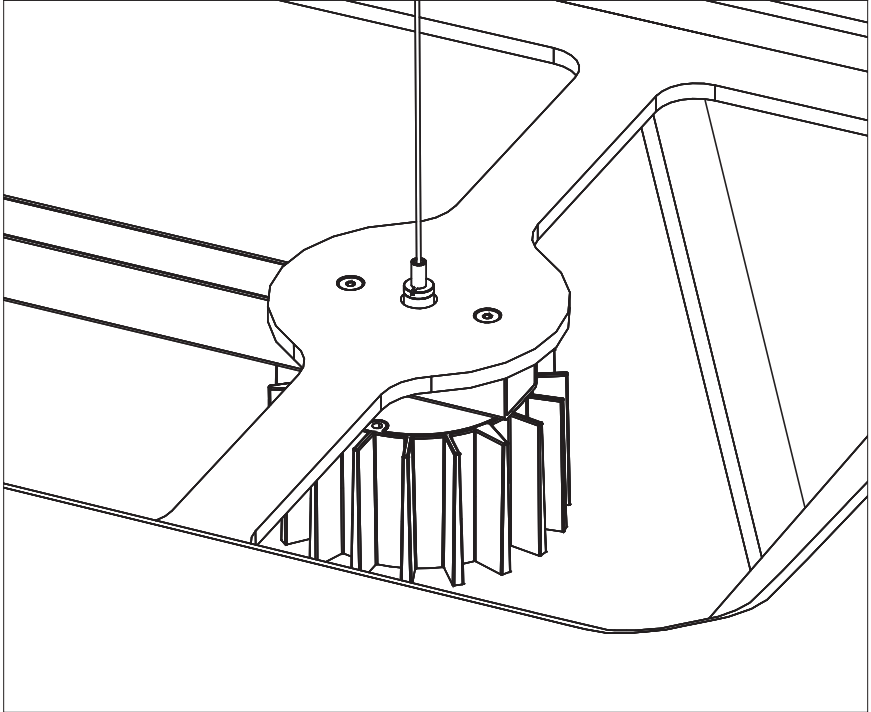
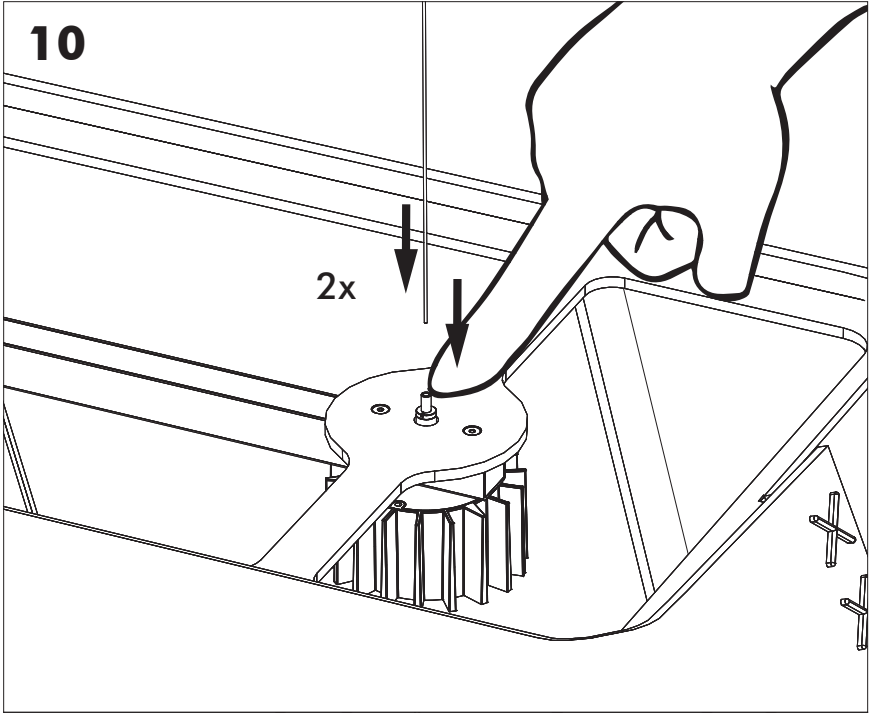
8



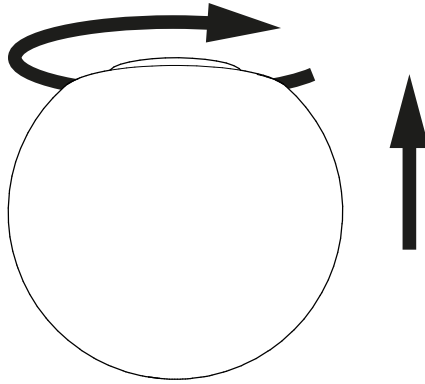
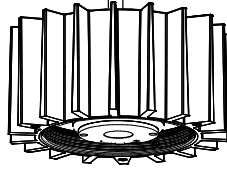
9



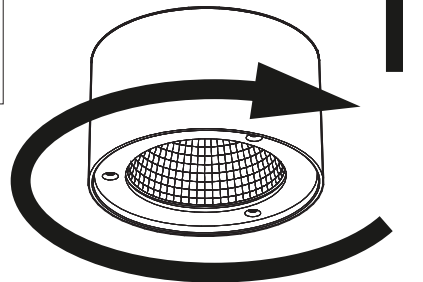
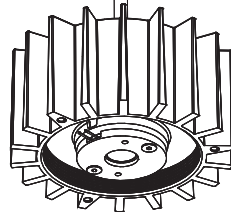
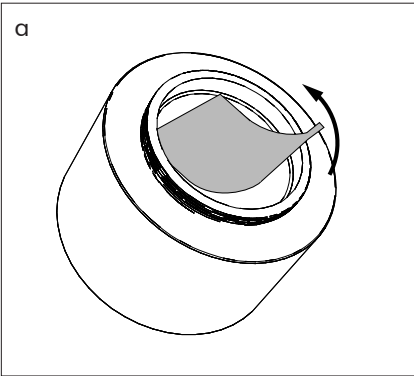
10

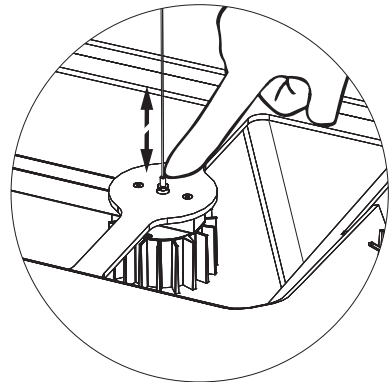
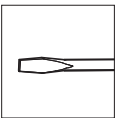
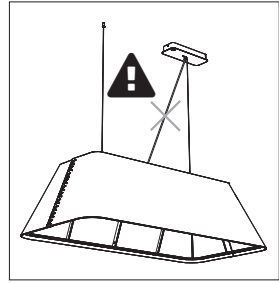
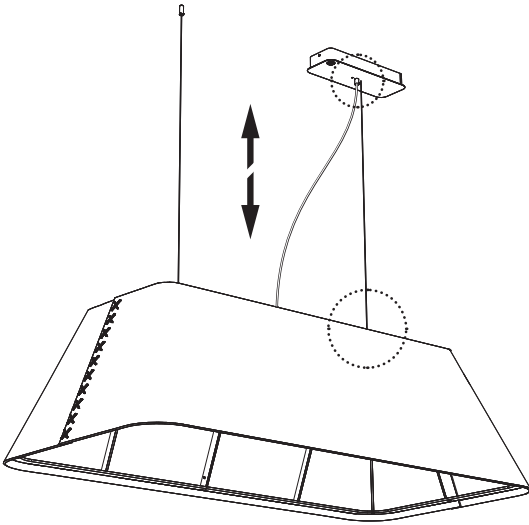
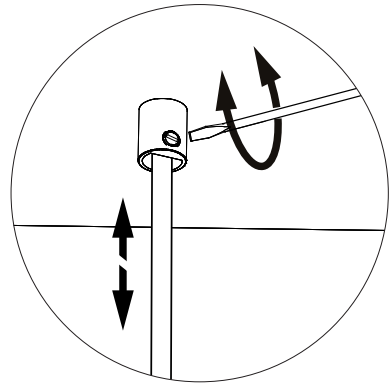


11 BuzziShade Square Beam Globe



11 BuzziShade Square Beam Spot





BuzziSpace Group NV
Italiëlei 8, 2000 Antwerp
Belgium

☎ +32 (0)3 846 10 00

✉ info@buzzi.space

🌐 www.buzzi.space



A-0000007366/01

Last update: 12/12/2023