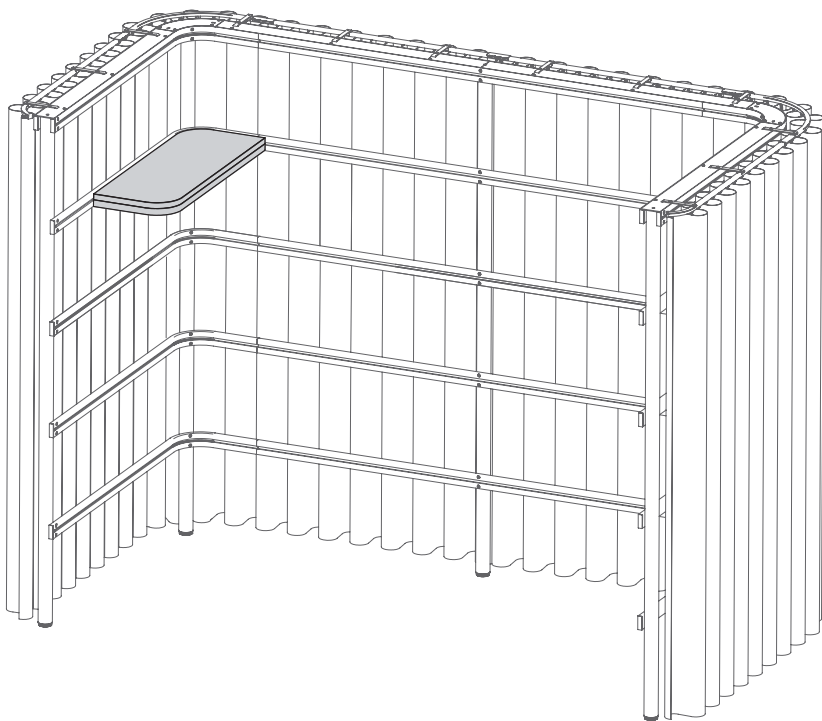


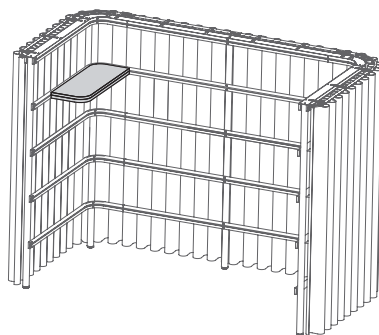
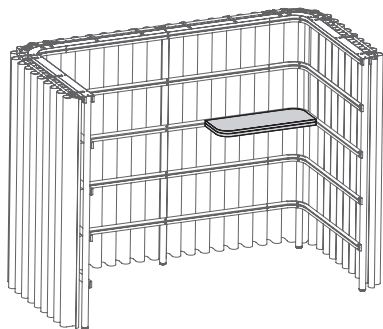
BuzziBracks Shelves

INSTALLATION MANUAL



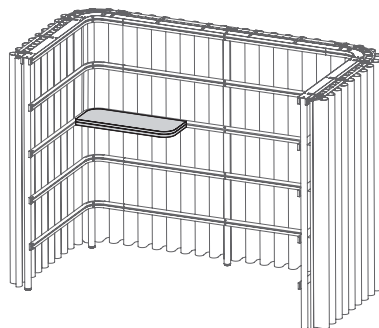
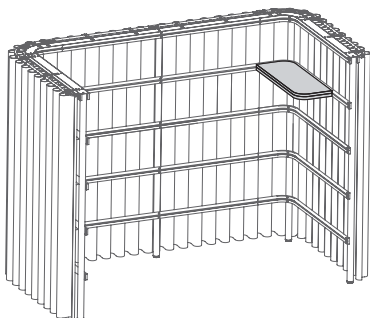
BuzziBracks Shelf A

p.3



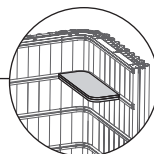
BuzziBracks Shelf B

p.3



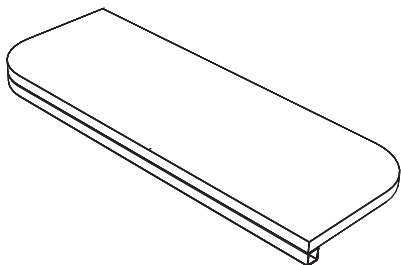
BuzziBracks Shelf A-B

2 PERS. 

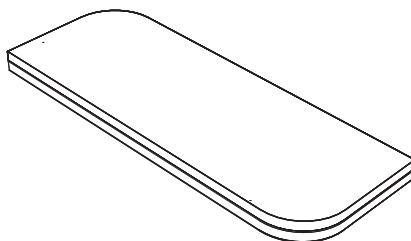


Included with Shelf A or B

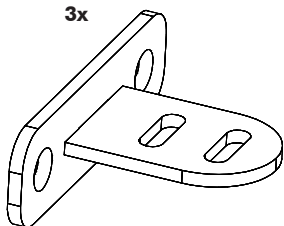
Shelf A



Shelf B



3x



6x



6x



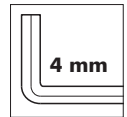
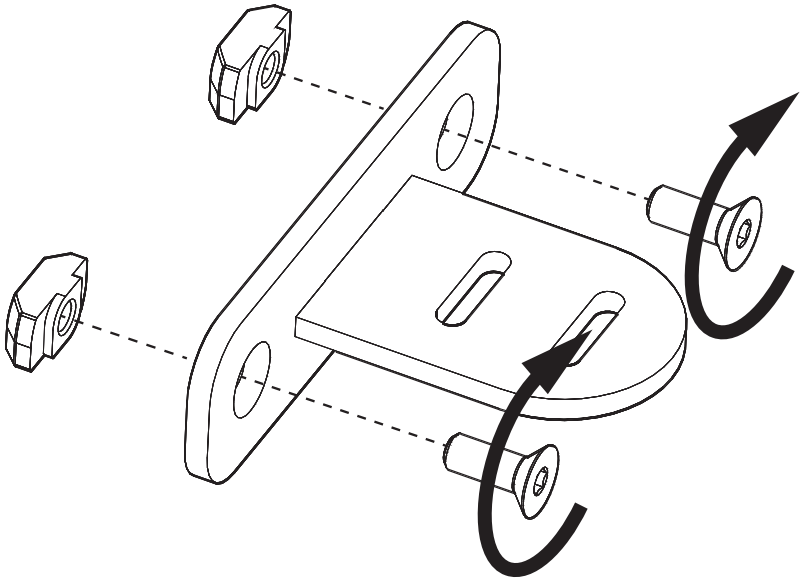
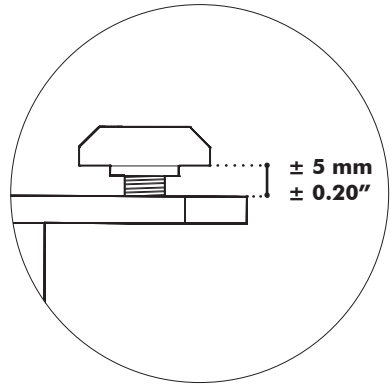
3x



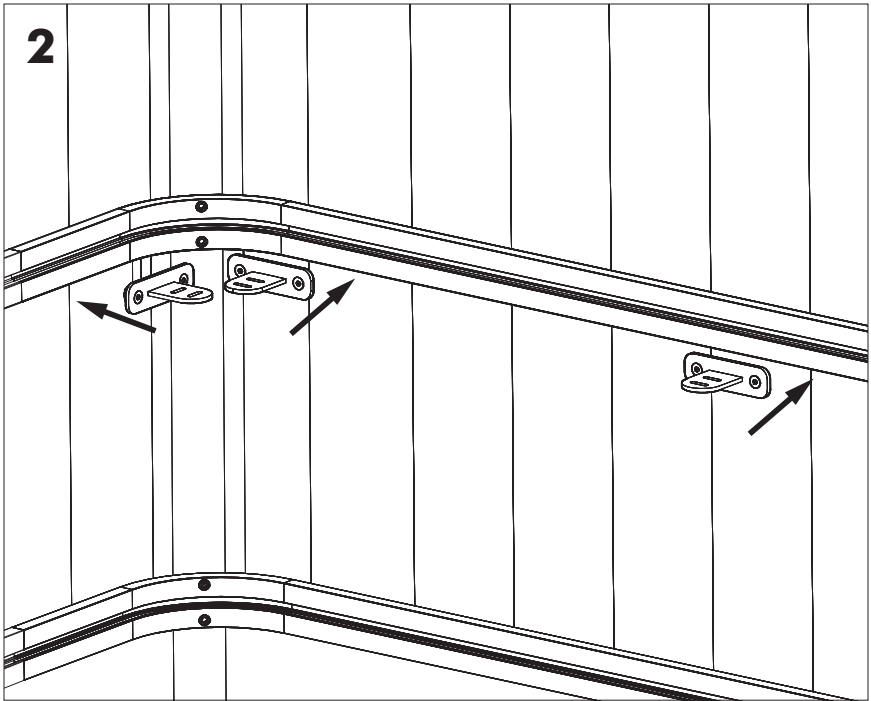
4 mm



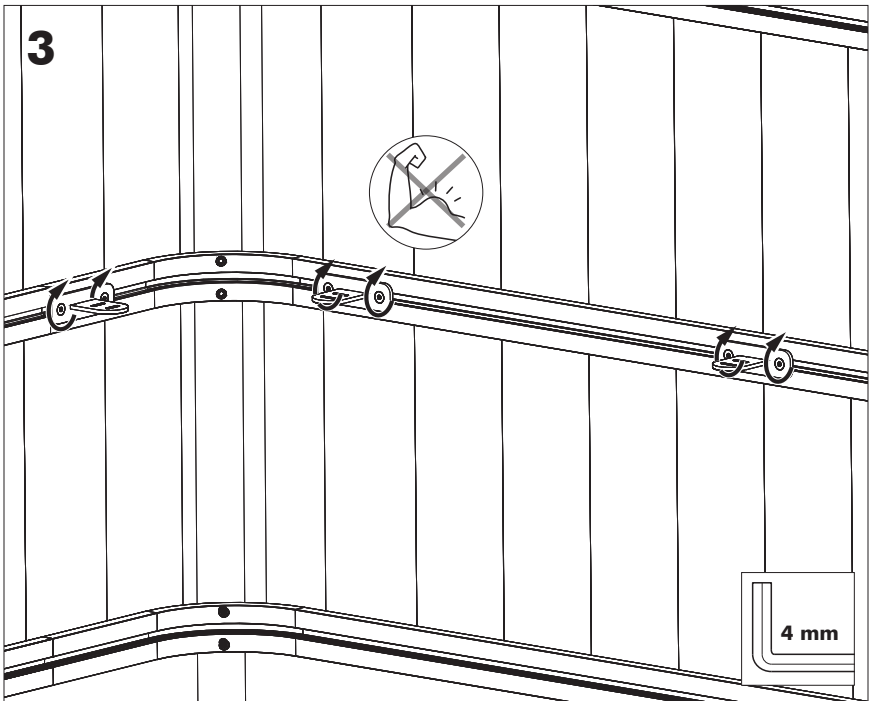
1



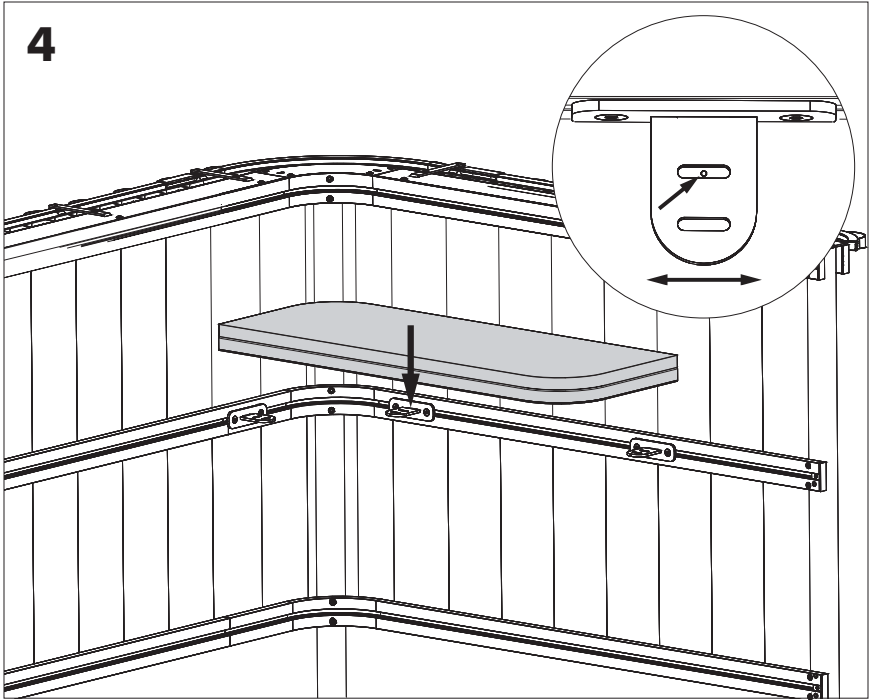
2



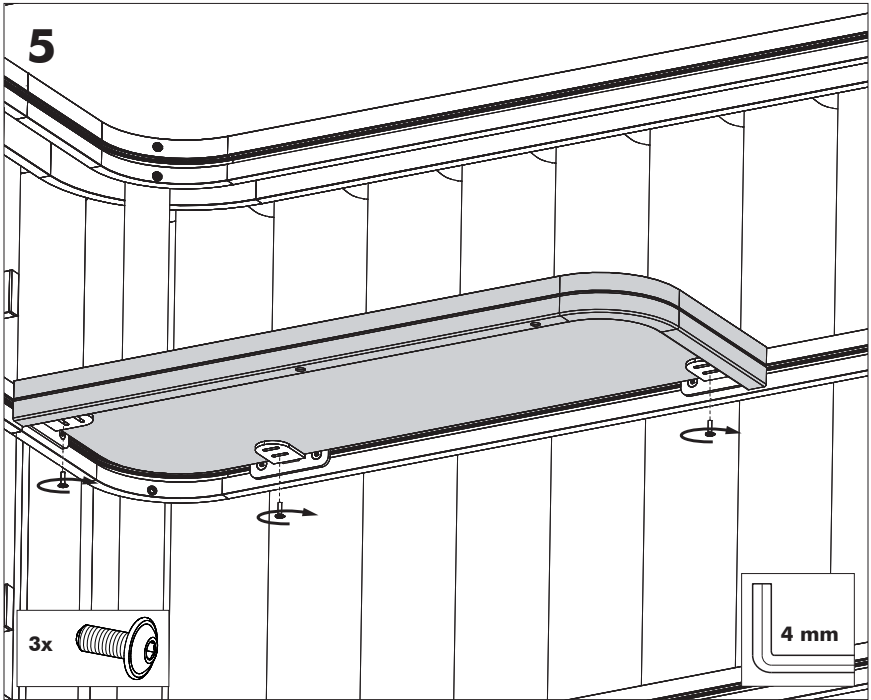
3



4



5



6

BuzziSpace Group NV
Italiëlei 8, 2000 Antwerp
Belgium

☎ +32 (0)3 846 10 00

✉ info@buzzi.space

🌐 www.buzzi.space



Doc nr.: A-0000006434/02

Last update: 29/11/2023