



Product Specification Sheet

BuzziShade Standing US

— By Stal Collectief

Standing lighting element in BuzziFelt

BuzziShade Standing offers decorative lighting and reduces external noise levels to a minimum. BuzziShade is extremely versatile. The standing version is ideal to add in any waiting room, hotel lobby or even at home to create that perfect hideaway.



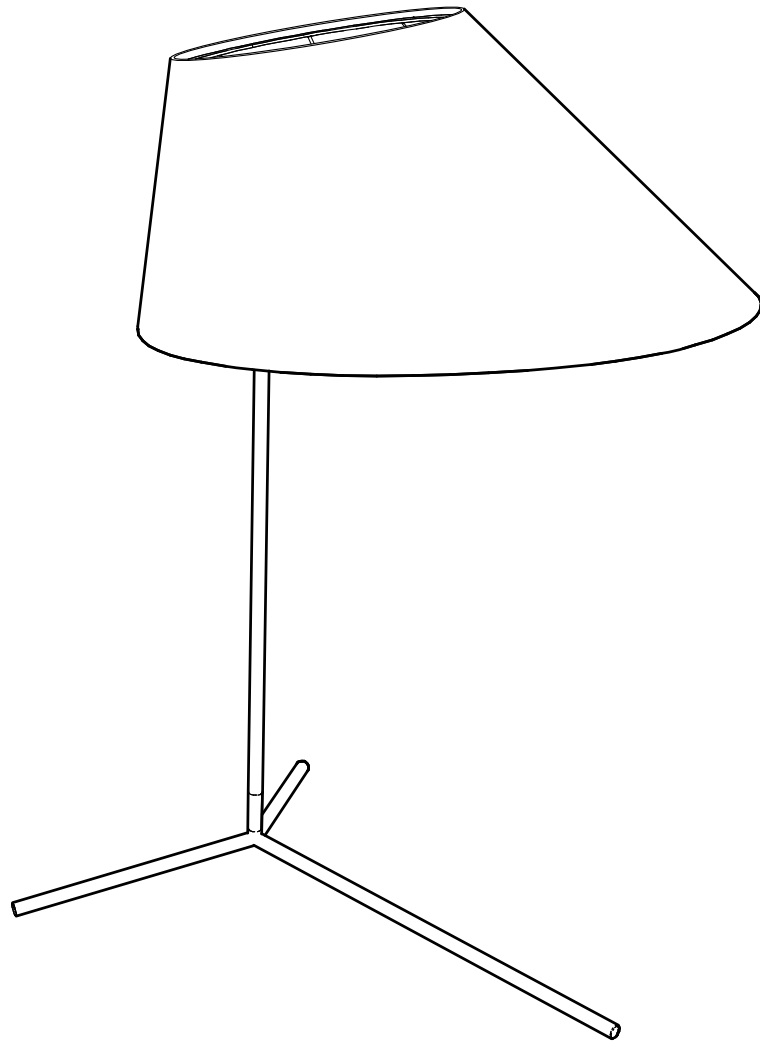
The Family

Model

BuzziShade Standing

Lighting Unit

Retrofit E26
(bulb excluded)



Required order information

1. Color Frame
2. BuzziFelt Color
3. Color Lace

Lighting Data

Lighting Unit

Retrofit Lighting unit

Retrofit E26 bulb excluded, Max 100W.



Lighting specifications

BuzziShade Standing

Lighting Unit	Voltage	Wattage	Light Output Luminaire	Efficacy (Lm/W)	CRI	Dimming	Color Temperature	UGR	Standard (stock) On request (>LT)	Color Power Cable	Color Footswitch	Color Fitting	Color Metal Frame	Color Lace	Fabric Collection	Fabric Color
Retrofit E26 bulb excluded	110-120V	Max.100W	-	-	-	-	-	-	Standard	Black	Black	Black	Black	Black or White	Use Color codes below	Use Color codes below

Product Data

Acoustic Shade



The acoustic shade consists of one layer of BuzziFelt with a lace in black or white.



Absorption



Mid tone



High tone

Frame and Power Cord



The powder coated metal frame of BuzziShade Standing is available in black (RAL 9005).

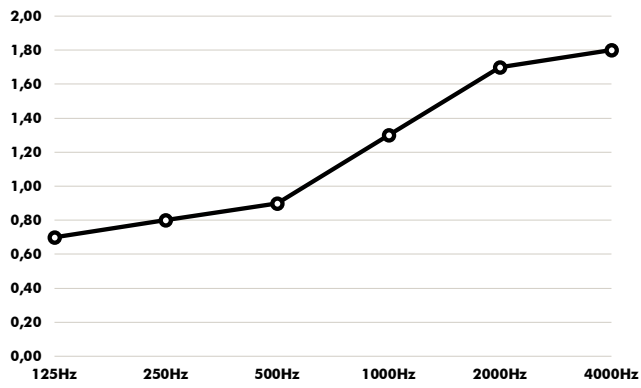
The fabric power cord has a length of 98.43" finished with a plug and black footswitch.

Color frame	Color fitting	Color fabric power cord
black	black	black

Acoustics

BuzziShade Standing

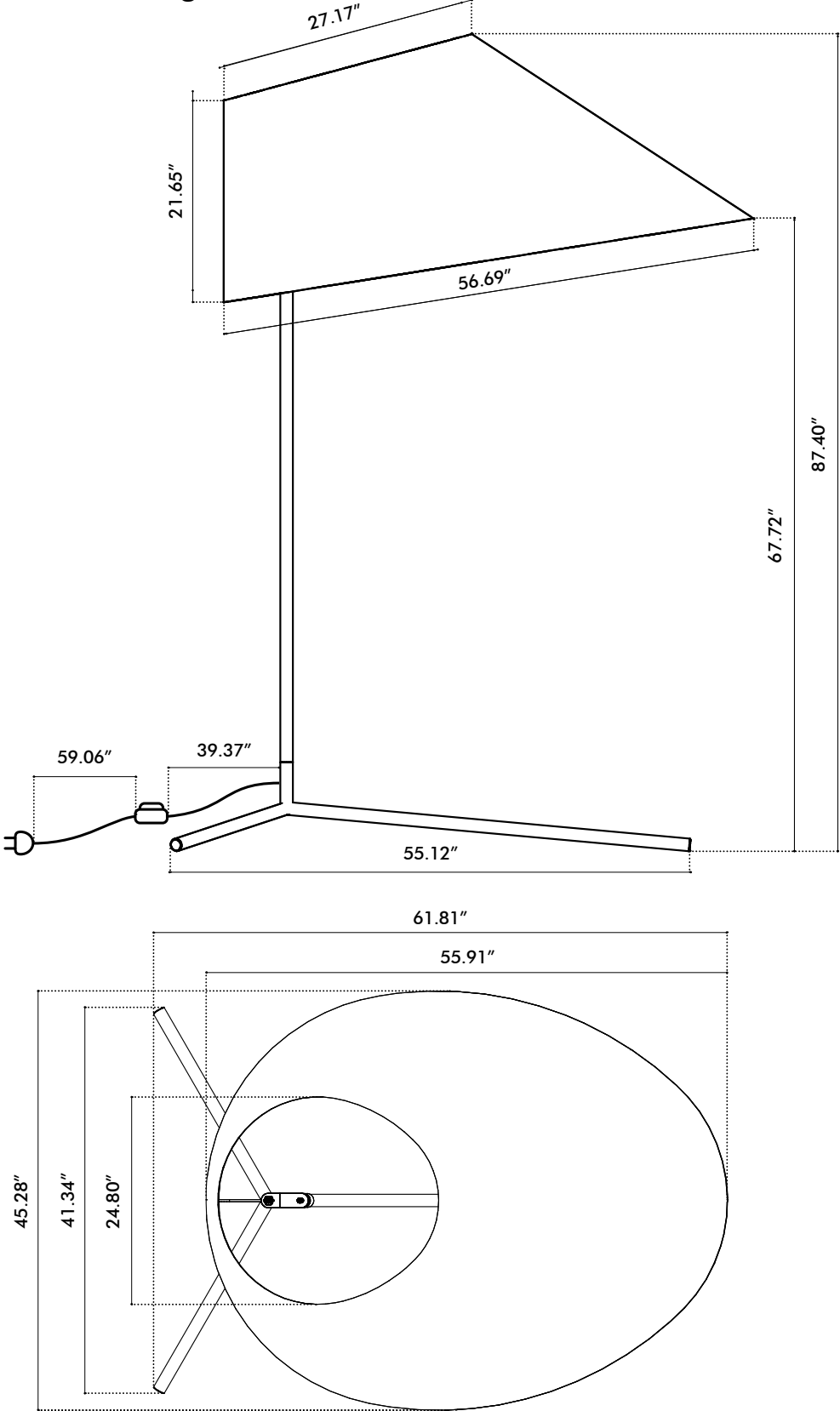
Equivalent sound absorption area in m² per object



Hz	Shade Standing Aeq/m ²
125	0.70
250	0.80
500	0.90
1000	1.30
2000	1.70
4000	1.80

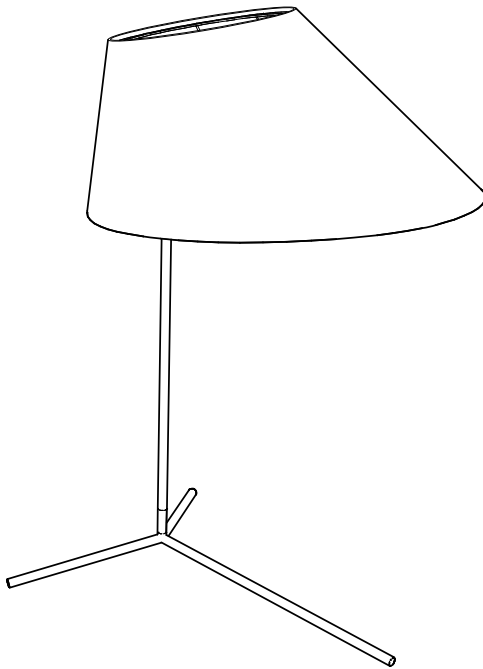
Dimensions


BuzziShade Standing



Weights

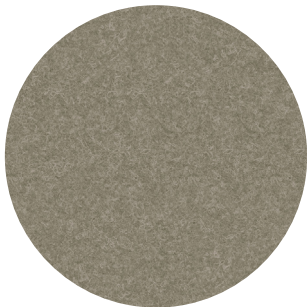
BuzziShade Standing



 39.68 lbs

Fabrics

Felt (12 colors)



Composition 100% Recycled PE.T. Felt, latex backing

Weight 1.000 g/m² | 29.49 oz/yd²

Abrasion resistance >7.000 Martindale

Flammability EU: EN 13501.1 + A1/2009 Class B-s1,d0
USA: ASTM E84 Class A certified

Fastness to light USA 5

