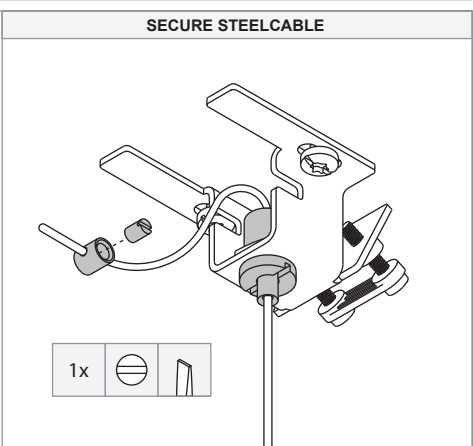
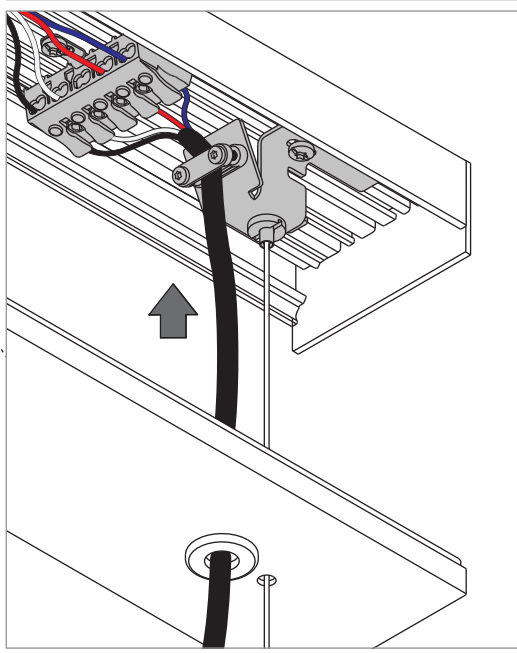


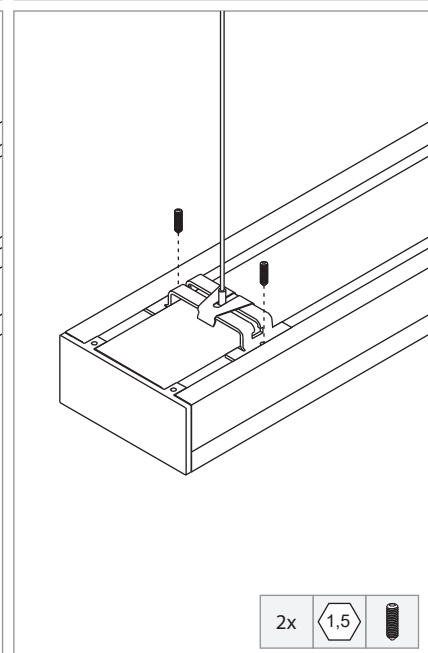
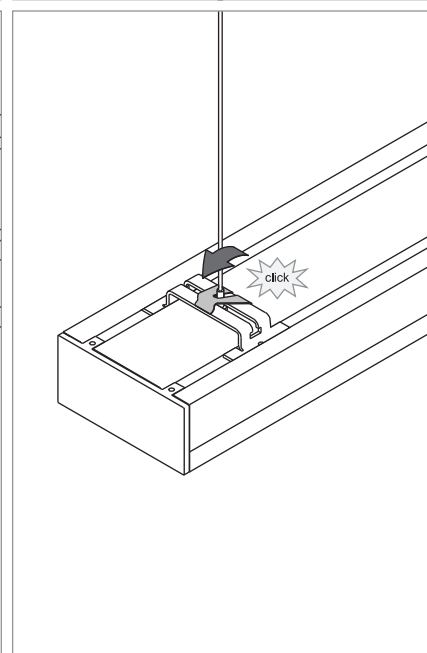
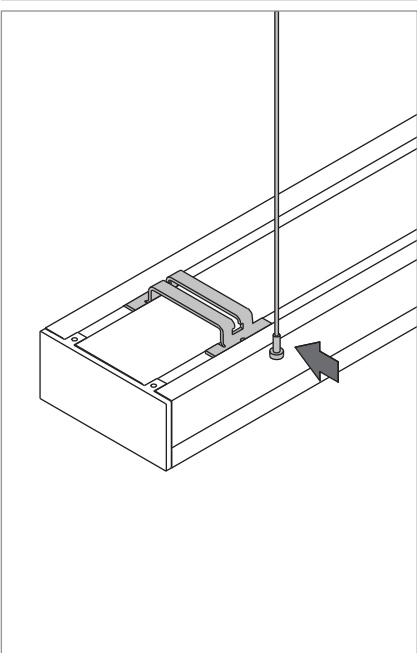
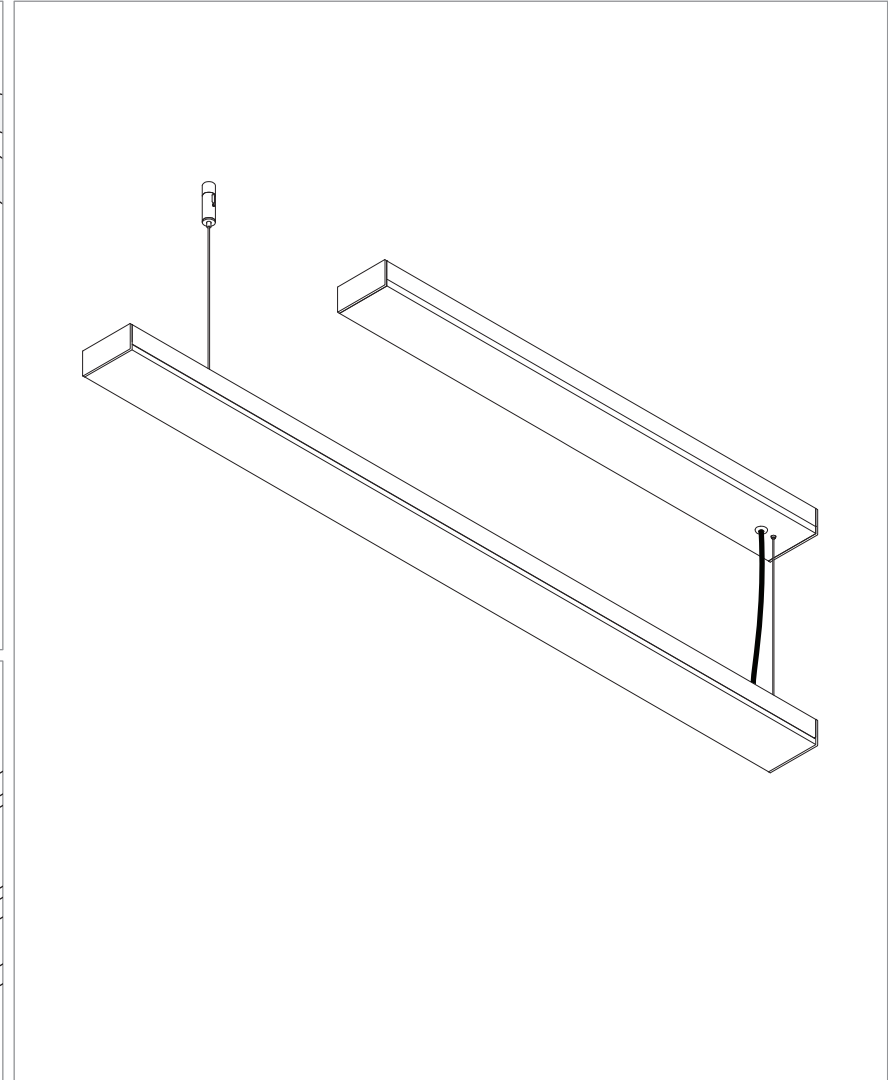
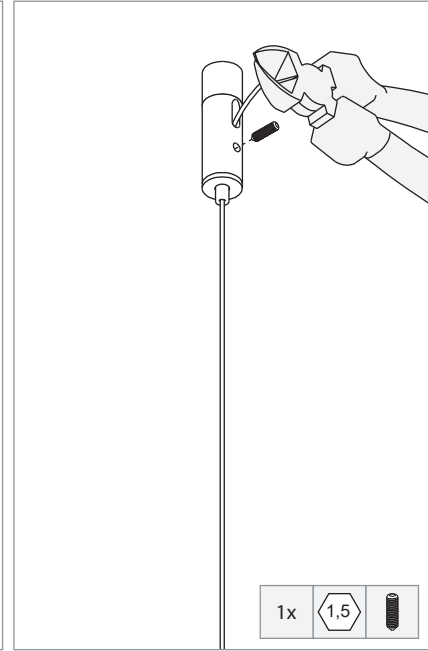
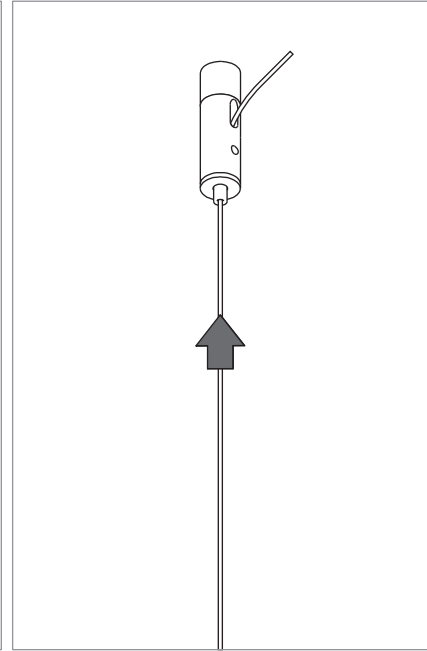
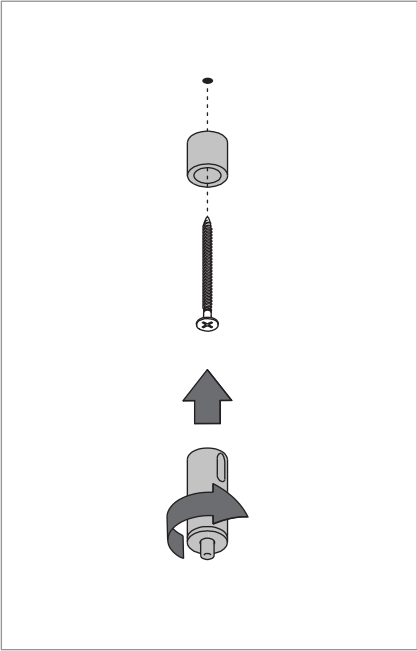
ELECTRICAL CONNECTION	
PRIMARY (AC)	BROWN
	BLUE
	YELLOW/GREEN
DIM (OPTIONAL FOR 0-10V SIGNAL)	RED
	BLUE





ELECTRICAL CONNECTION	
LED 1	BLACK
	WHITE
LED 2 (OPTIONAL)	RED
	BLUE

BuzziZepp LED EU

Instruction for LED line



 **LIGHT SOURCE - DO NOT TOUCH LED**
 Touching the LED can result in permanent damage of the light source. The light source and/or driver contained in this luminaire shall only be replaced by the manufacturer or his service agent or a similar qualified person.

 **PREVENTING ELECTROSTATIC DAMAGE**
 A discharge of static electricity may damage sensitive components. Therefore do not touch the LED nor the stripped parts of the wires with bare hands. Always be properly insulated by using ESD gloves.

