



## Product Specification Sheet

### **BuzziSol Retrofit EU**

— By BuzziSpace Studio

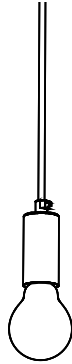
#### **Shine bright**

BuzziSol Retrofit is a versatile and straightforward pendant light fixture that can be customized with any light bulb to match your chosen ambience.

Choose BuzziSol Retrofit for smaller settings or opt for BuzziSol Trio Retrofit and BuzziSol Quintet Retrofit variations for larger gathering spots and collaboration areas. Because of BuzziSol's demure design language, it can work on its own to create modern and minimalist spaces. Or pair it with some of our acoustic lighting solutions.

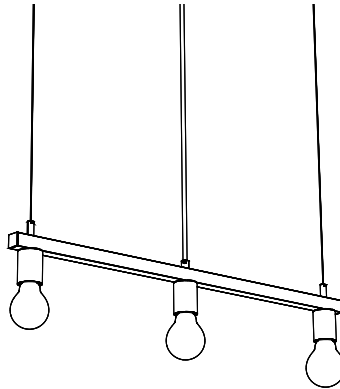
# The Family

**Sol Solo Retrofit  
(E27 Bulb excluded)**

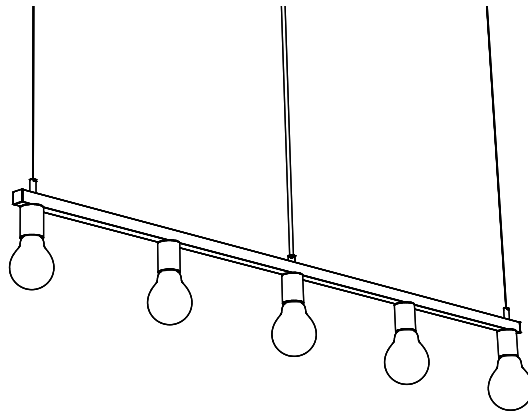


Lighting Units

**Sol Trio Retrofit  
(E27 Bulb excluded)**



**Sol Quintet Retrofit  
(E27 Bulb excluded)**



Required order information

1. Model
2. Light Option
3. Mounting Option (only for Trio and Quintet)

# Lighting Data

## Lighting Units

### Retrofit Lighting unit



BuzziSol Solo retrofit includes 1 x E27 fitting. (max.40W)  
BuzziSol Trio retrofit includes 3 x E27 fitting. (max.60W)  
BuzziSol Quintet retrofit includes 5 x E27 fitting. (max.60W)  
Bulb Excluded

## BuzziSol Retrofit

Lighting Options		Characteristics		Mounting
Lighting Unit	Voltage Input	Technical	Visual	Options
Retrofit Solo	220-240V	Wattage: Max. 40W	Color: Power Cable: Black Ceiling Canopy: Black	1 cable of 2 or 5 m Alu or Black
Retrofit Trio	220-240V	Wattage: 3x Max. 60W	Color: Power Cable: Black Ceiling Canopy: Black	2 cables of 2 or 5 m Alu or Black
Retrofit Quintet	220-240V	Wattage: 4x Max. 60W		

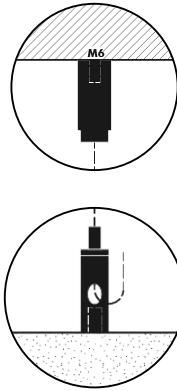
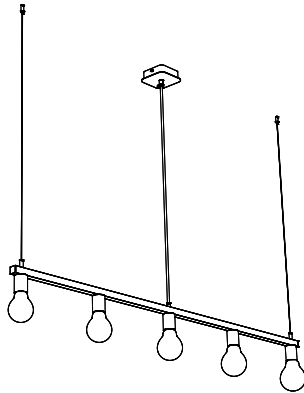
CE CB

# Product Data

---

## Fixing System Lighting

### BuzziSol Trio | Quintet



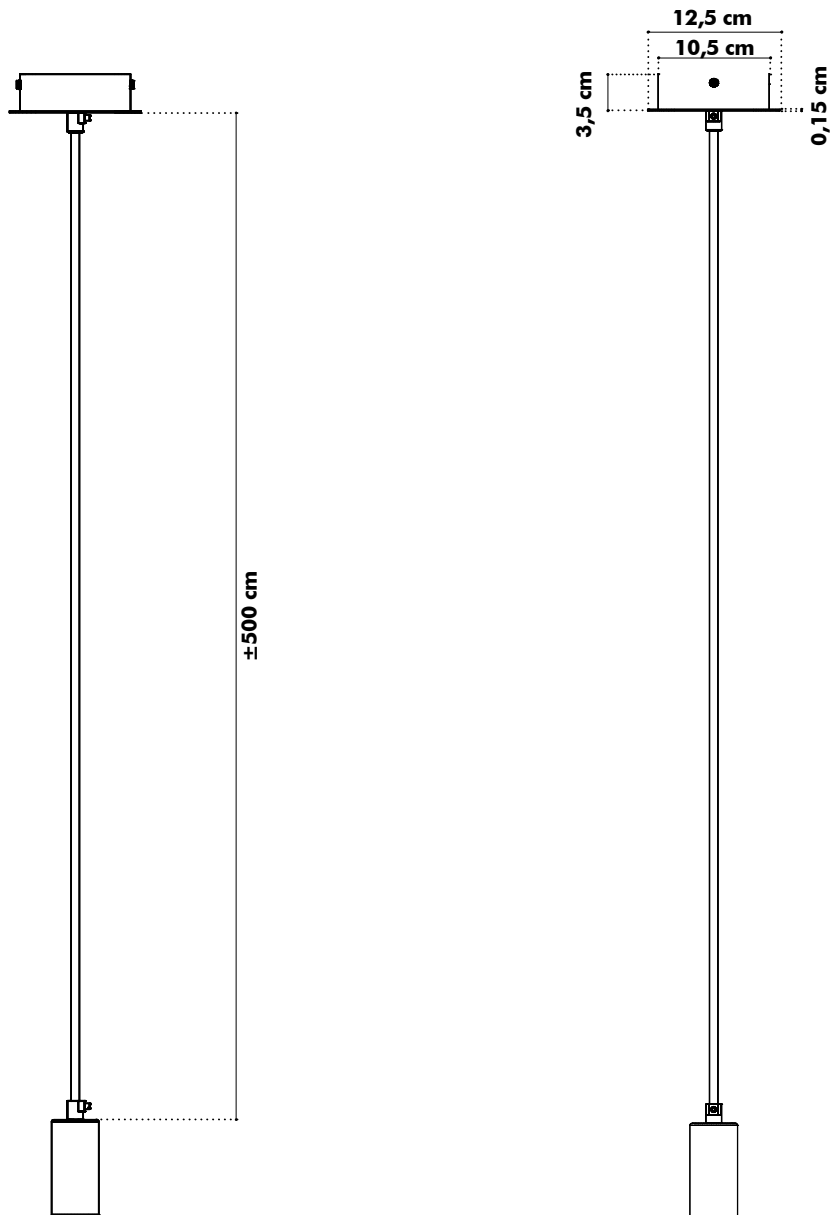
BuzziSol Trio | Quintet is suspended on 2 cables of 2 or 5 m black or alu colored cables, with fixing screw.

**⚠** If installing on suspended ceiling, verify load capacity prior to installation.

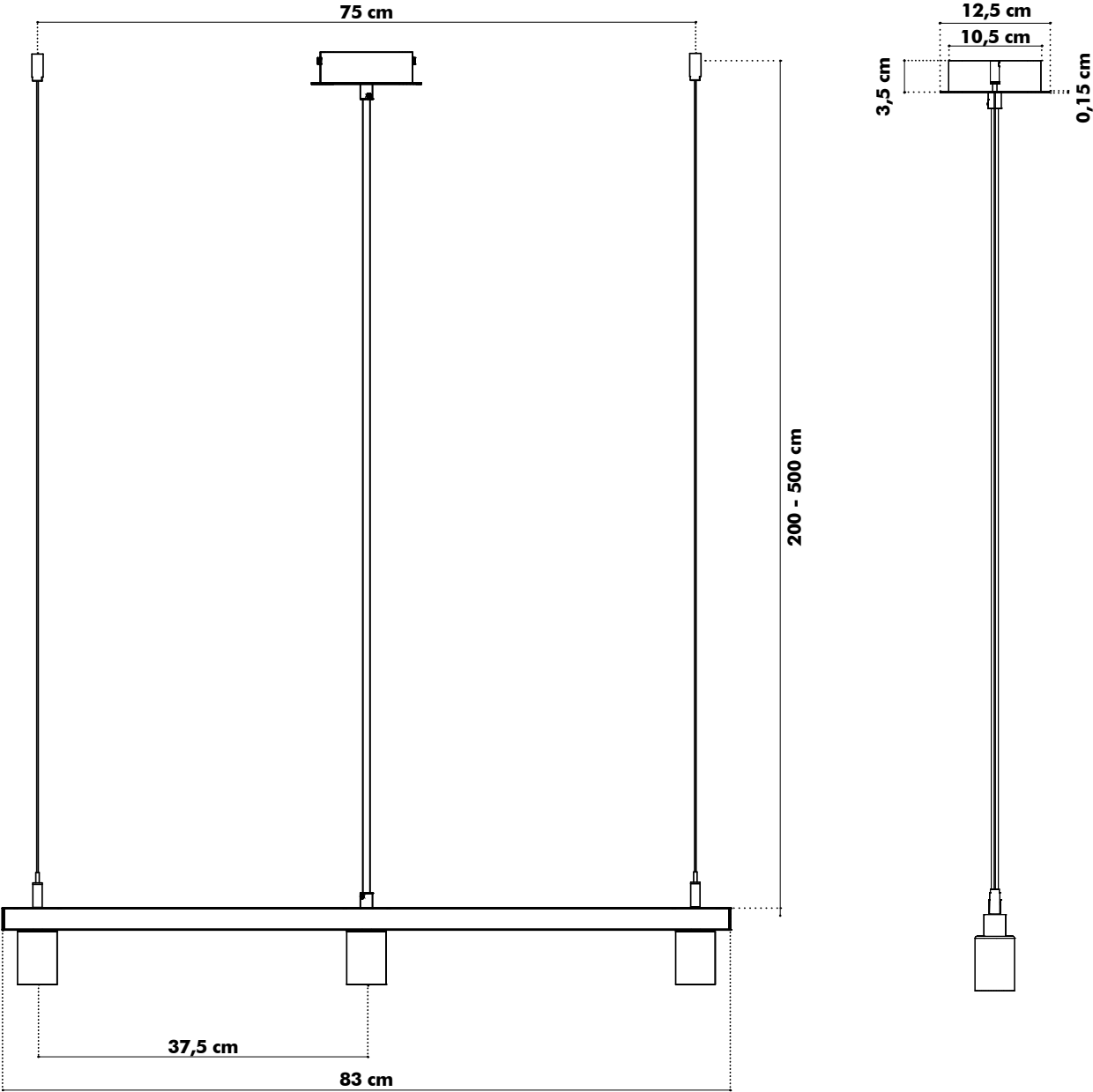
---

# Dimensions

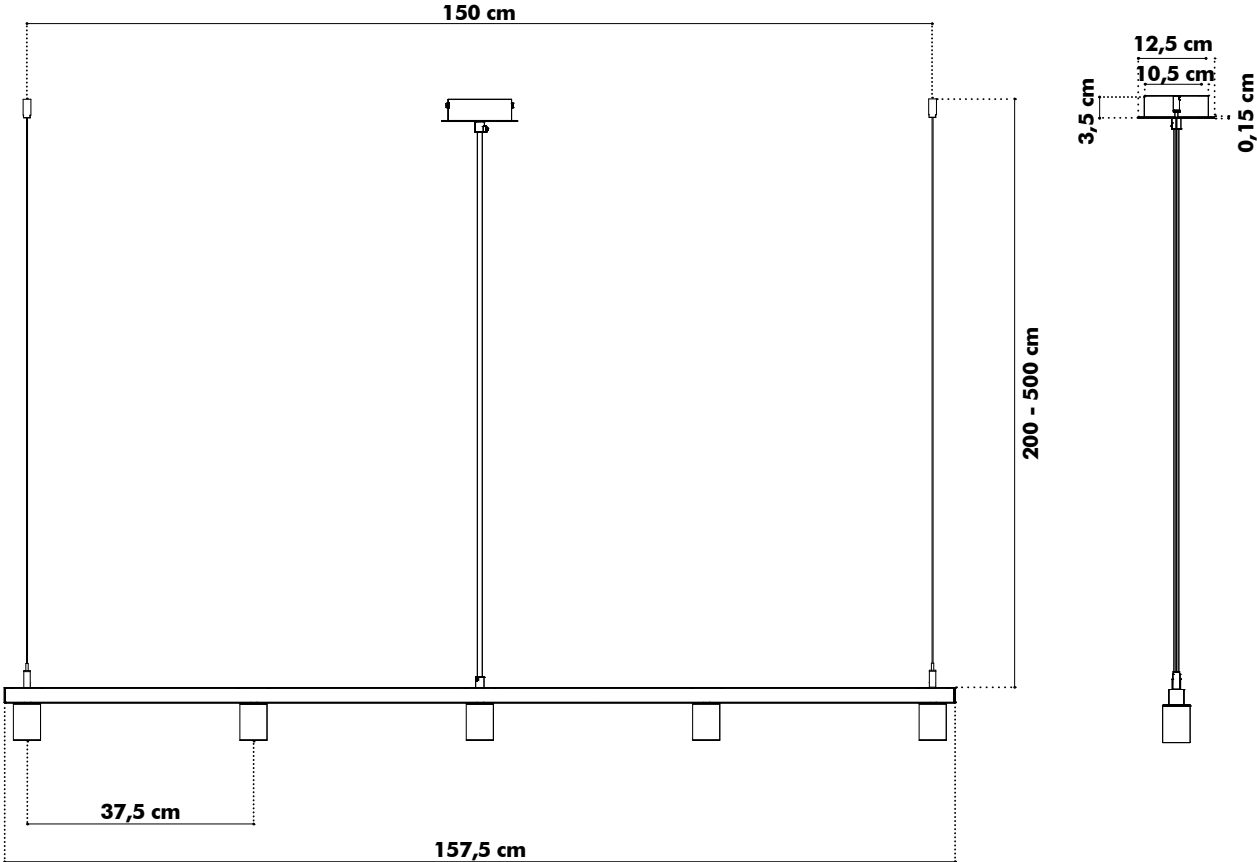
## BuzziSol Solo Retrofit



**BuzziSol Trio Retrofit**



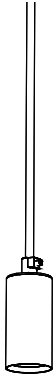
**BuzziSol Quintet Retrofit**



---

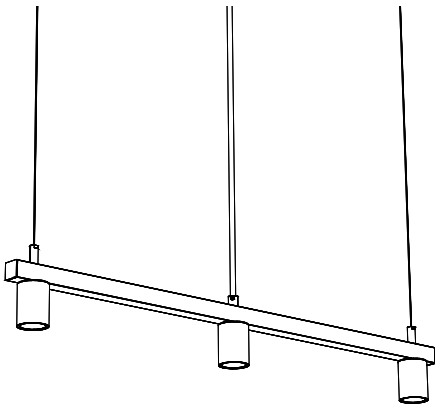
# Weights

## BuzziSol Solo Retrofit



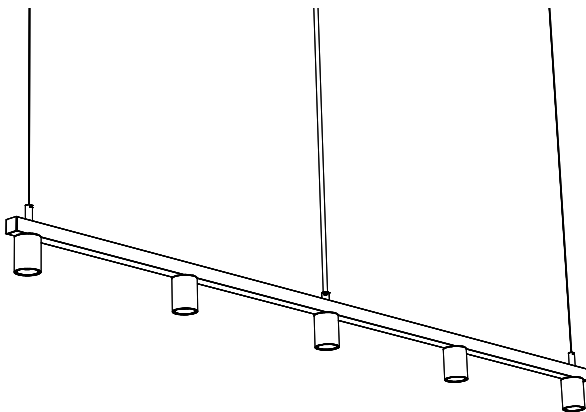
⚖️ 1,5 kg

## BuzziSol Trio Retrofit



⚖️ 2,5 kg

## BuzziSol Quintet Retrofit



⚖️ 3,5 kg