



## Product Specification Sheet

### BuzziChip US

— By BuzziSpace Studio

#### A playful acoustic powerhouse

BuzziChip's curved design helps you move away from hard edges while adding a playful touch to any area. Depending on the size, BuzziChip can be fitted with our integrated LED solutions: BuzziSol Solo, BuzziSol Trio and BuzziSol Quintet in a globe or spot iteration. Or match your ambience with a retrofit option. Combine the different models in various fabrics and colors to form a playful and dynamic ceiling in your office or residential space.



# The Family

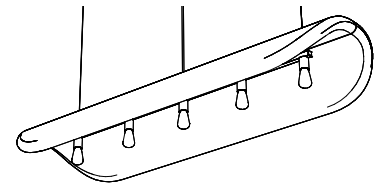
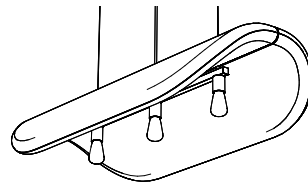
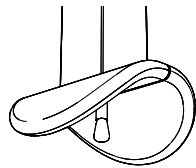
## Models

BuzziChip Small

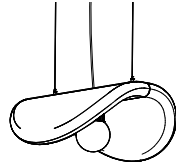
BuzziChip Medium

BuzziChip Large

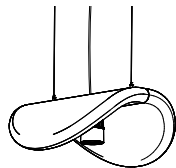
Retrofit E26  
(Bulb excluded)



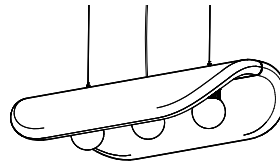
LED Solo Globe



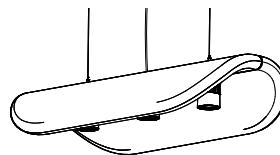
LED Solo Spot



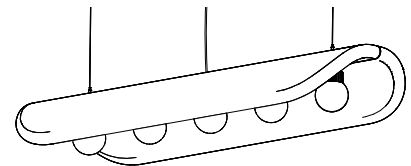
LED Trio Globe



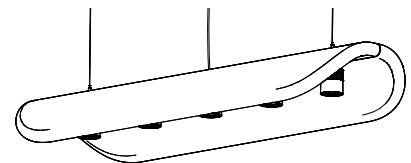
LED Trio Spot



LED Quintet  
Globe



LED Quintet Spot



Required order information

1. Size
2. Light Option
3. Fabric (CAT -> Collection -> Color)
4. Mounting Option

# Lighting Data

---

## Lighting Units

### Retrofit Lighting unit



The Chip Small retrofit includes 1 x E26 fitting.  
BuzziChip Medium retrofit includes 3 x E26 fitting.  
BuzziChip Large retrofit includes 5 x E26 fitting.  
Bulb excluded, max. 100W

### LED Globe



The LED fixtures consists of 1,3 or 5 powder-coated black heatsinks with LED chip on board (COB) light source(s).  
The product can be finished with a frosted glass globe diffuser which spreads the light in a large beam angle of 170°, enlighting the surroundings or a reflector spot adaptor directing the light with a beam angle of 38° downwards.

### LED Spot



# BuzziChip

## Model: Small

Lighting Options		Characteristics		Mounting
Lighting Unit	Voltage Input	Technical	Visual	Options
Retrofit Solo	110-120V	Wattage: Max. 100W	Color: Power Cable: Black Ceiling Canopy: Black	2 cables of 78.74" or 196.85" Alu or Black

Lighting Options		Characteristics			Mounting		
Lighting Unit	Voltage Input	Color Temperature	UGR (Diffuser type)	Dimming	Technical	Visual	Options
LED Solo	100-240V/277V	3000K	23 (Globe)	1-10V DALI	Power consumption: 20W Light output: 1500 Lm Efficacy: 75 Lm/W CRI: > 90	Color: Power Cable: Black Ceiling Canopy: Black	2 cables of 78.74" or 196.85" Alu or Black
			12 (Spot)	1-10V DALI	Power consumption: 20W Light output: 1500 Lm Efficacy: 75 Lm/W CRI: >w 90		

## Model: Medium

Lighting Options		Characteristics		Mounting
Lighting Unit	Voltage Input	Technical	Visual	Options
Retrofit Trio	110-120V	Wattage: 3 x Max. 100W	Color: Power Cable: Black Ceiling Canopy: Black	2 cables of 78.74" or 196.85" Alu or Black

Lighting Options		Characteristics			Mounting		
Lighting Unit	Voltage Input	Color Temperature	UGR (Diffuser type)	Dimming	Technical	Visual	Options
LED Trio	100-240V/277V	3000K	23 (Globe)	1-10V	Power consumption: 51W Light output: 3 x 1500 Lm Efficacy: 88 Lm/W CRI: > 90	Color: Power Cable: Black Ceiling Canopy: Black	2 cables of 78.74" or 196.85" Alu or Black
			12 (Spot)	1-10V	Power consumption: 51W Light output: 3 x 1500 Lm Efficacy: 88 Lm/W CRI: > 90		

## Model: Large

### Lighting Options

**Lighting Unit**   **Voltage Input**

Retrofit Quintet   110-120V

### Characteristics

**Technical**

Wattage: 5 x Max. 100W

**Visual**

Color:  
Power Cable: Black  
Ceiling Canopy: Black

### Mounting

**Options**

2 cables of  
78.74" or 196.85"  
Alu or Black

### Lighting Options

**Lighting Unit**   **Voltage Input**

LED Quintet   100-240V/277V

**Color Temperature**

3000K

**UGR (Diffuser type)**

23 (Globe)

**Dimming**

1-10V

### Characteristics

**Technical**

Power consumption: 89W  
Light output: 5 x 1500 Lm  
Efficacy: 84 Lm/W  
CRI: > 90

**Visual**

Color:  
Power Cable: Black  
Ceiling Canopy: Black

### Mounting

**Options**

2 cables of  
78.74" or  
196.85"  
Alu or Black

12 (Spot)

1-10V

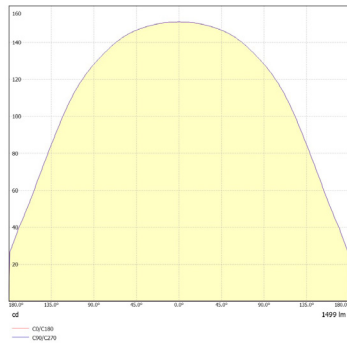
Power consumption: 89W  
Light output: 5 x 1500 Lm  
Efficacy: 84 Lm/W  
CRI: > 90



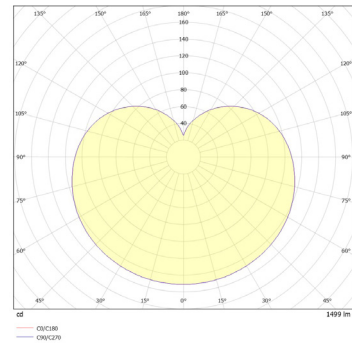
# Photometric Data

## BuzziChip Small LED Solo

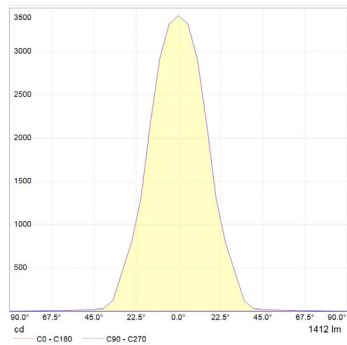
LED Solo Globe Cartesian diagram



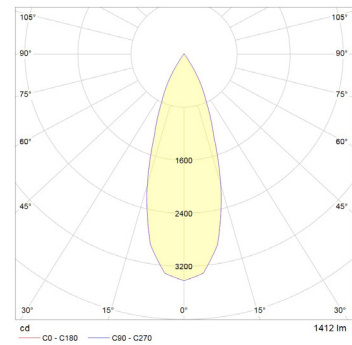
LED Solo Globe Polar curve



LED Solo Spot Cartesian diagram

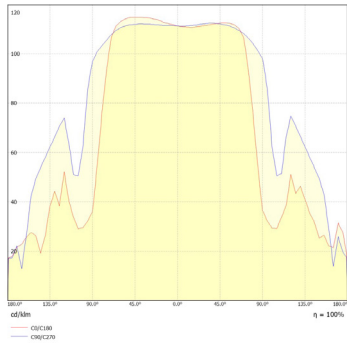


LED Solo Spot Polar curve

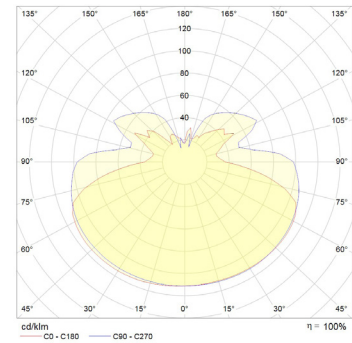


## BuzziChip Medium LED Trio

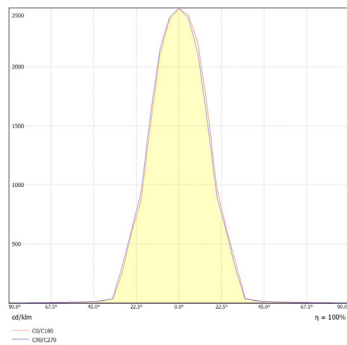
LED Trio Globe Cartesian diagram



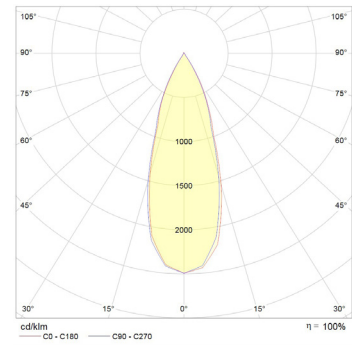
LED Trio Globe Polar curve



LED Trio Spot Cartesian diagram

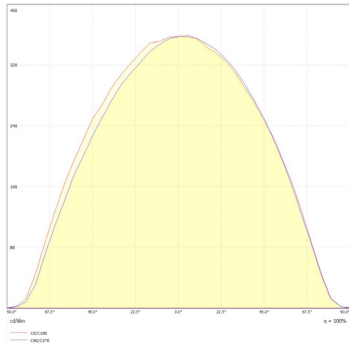


LED Trio Spot Polar curve

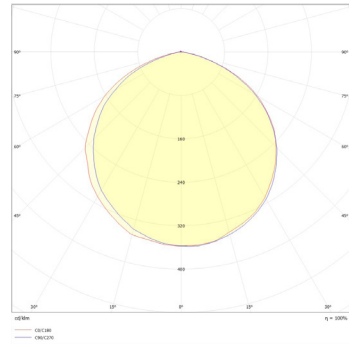


# BuzziChip Large LED Quintet

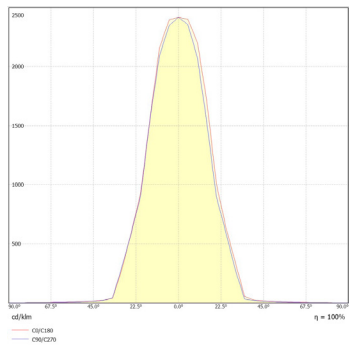
LED Quintet Globe Cartesian diagram



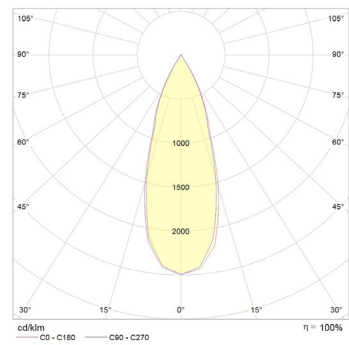
LED Quintet Globe Polar curve



LED Quintet Spot Cartesian diagram



LED Quintet Spot Polar curve



---

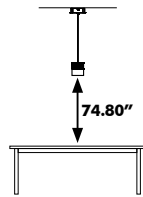
## Tips and Tricks - Light Options

To enlighten your workplace with optimal lux levels take following measurements into account:

### BuzziChip Small BuzziSol Solo

#### Solo Spot

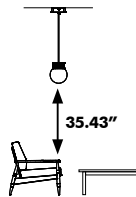
Office,  
Meeting room



500 Lux

#### Solo Globe

Office,  
Meeting room

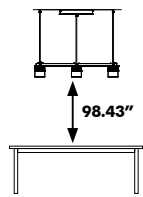


100 Lux

### BuzziChip Medium BuzziSol Trio

#### Trio Spot

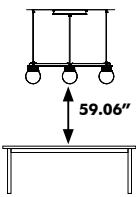
Office,  
Meeting room



500 Lux

#### Trio Globe

Office,  
Meeting room

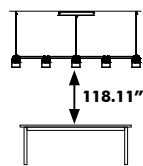


500 Lux

### BuzziChip Large BuzziSol Quintet

#### Quintet Spot

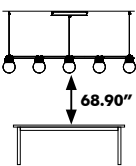
Office  
Meeting room



500 Lux

#### Quintet Globe

Office,  
Meeting room



500 Lux

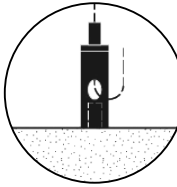
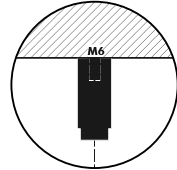
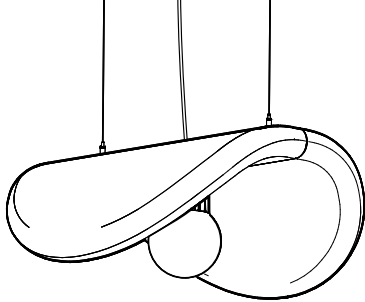
\* According to EN12464



# Product Data

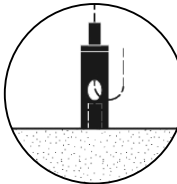
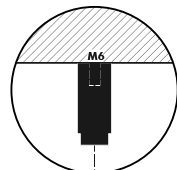
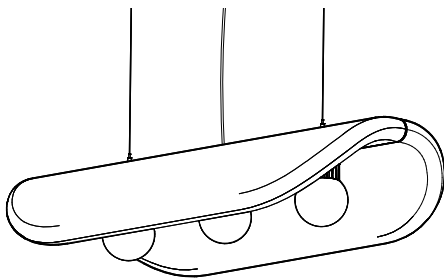
## Fixing System

### Fixing System Acoustic Panel



BuzziChip Small is suspended on 2 cables of 78.74" or 196.85" black or alu colored cables, with fixing system screw.

### Fixing System Lighting



The light elements of BuzziChip Medium and BuzziChip Large are suspended independently from the acoustic panel with 2 cables of 78.74" - 196.85" black or alu colored cables, with fixing system screw.

⚠ If installing on suspended ceiling, verify load capacity prior to installation.

## Acoustic Panel



The acoustic panel is upholstered front to back in a chosen fabric.



Absorption



Diffusion



Low tone



Mid tone



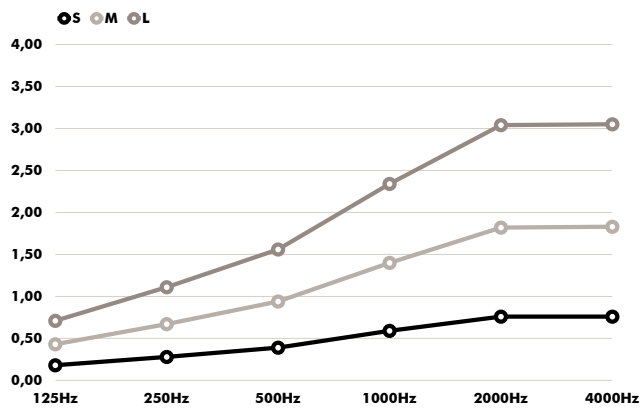
High tone

---

## Acoustics Data

### BuzziChip

Equivalent sound absorption area in m<sup>2</sup> per object

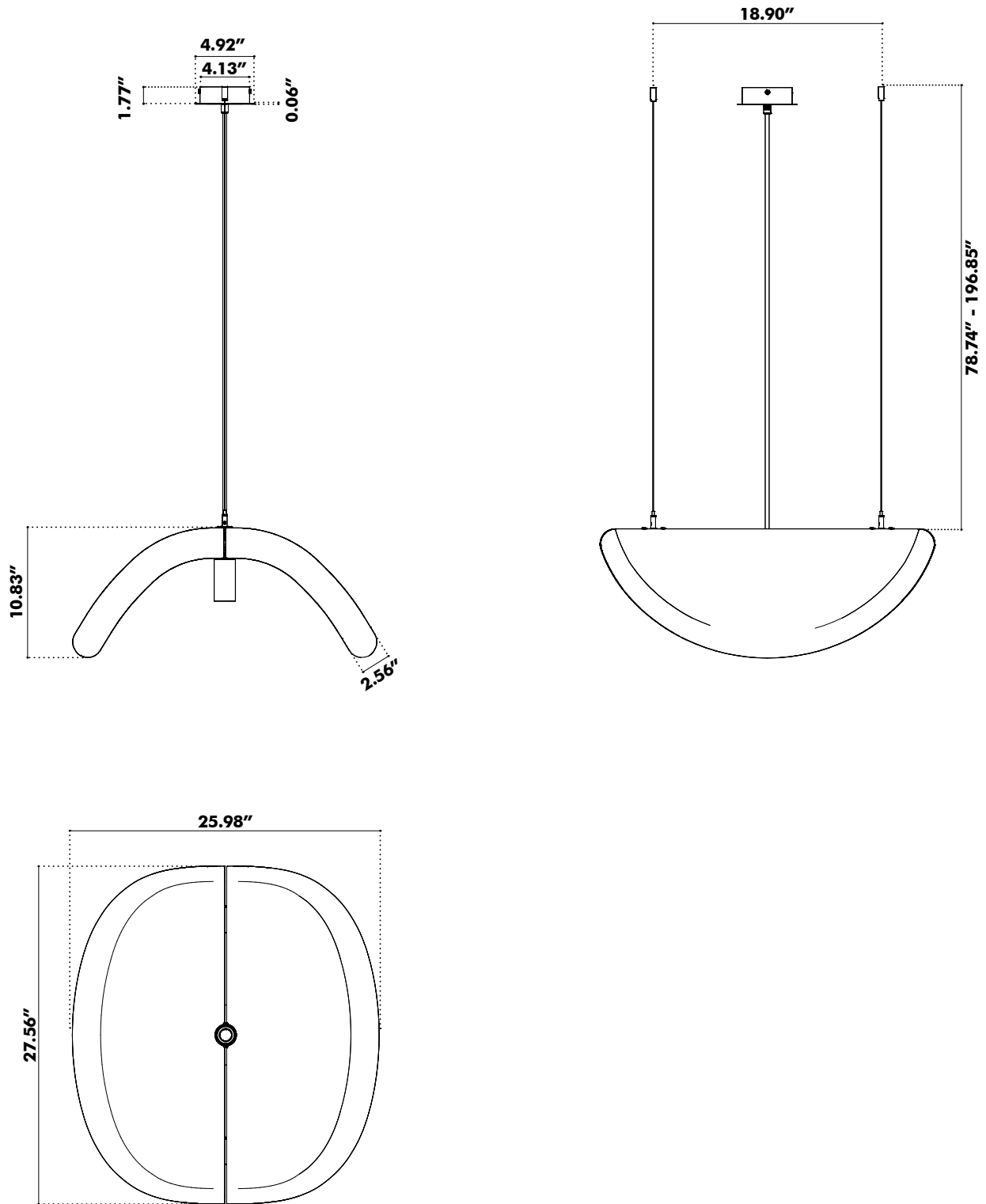


Hz	S Aeq/m <sup>2</sup>	M Aeq/m <sup>2</sup>	L Aeq/m <sup>2</sup>
125	0.18	0.43	0.71
250	0.28	0.67	1.11
500	0.39	0.94	1.56
1000	0.59	1.4	2.34
2000	0.76	1.82	3.04
4000	0.76	1.83	3.05

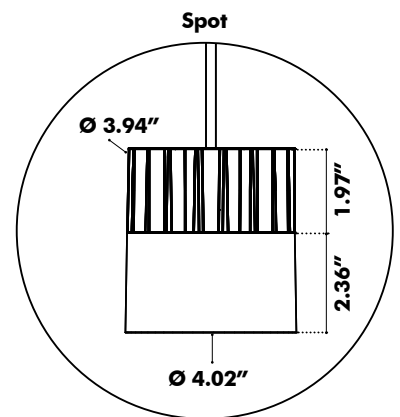
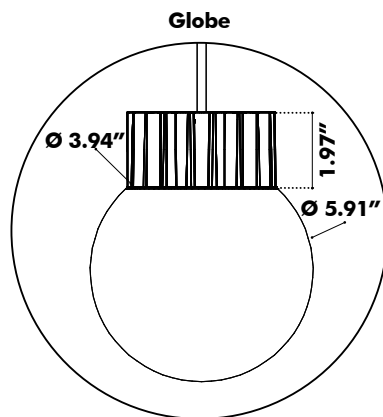
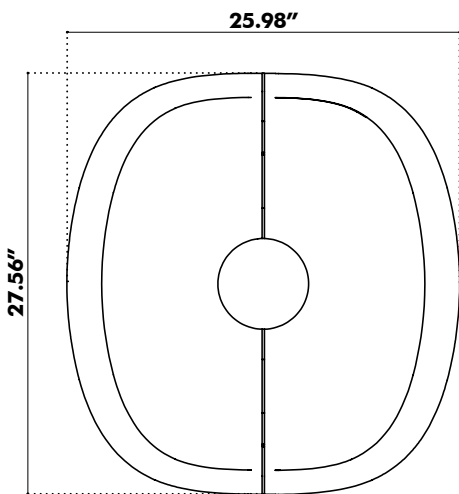
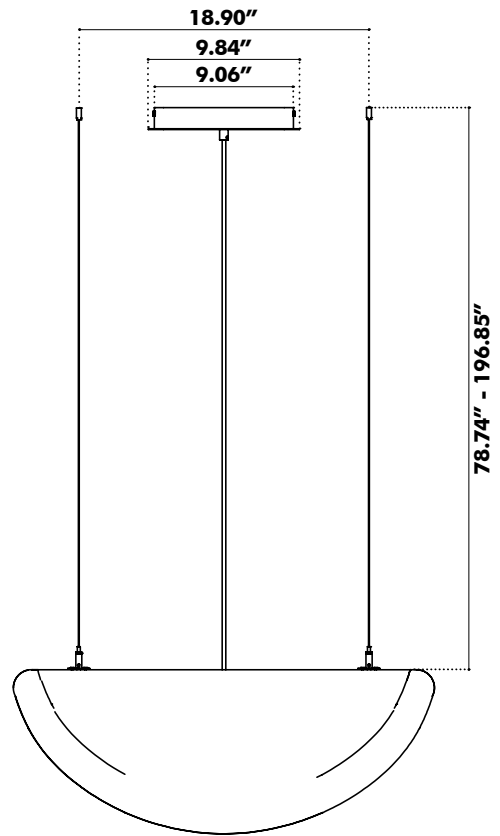
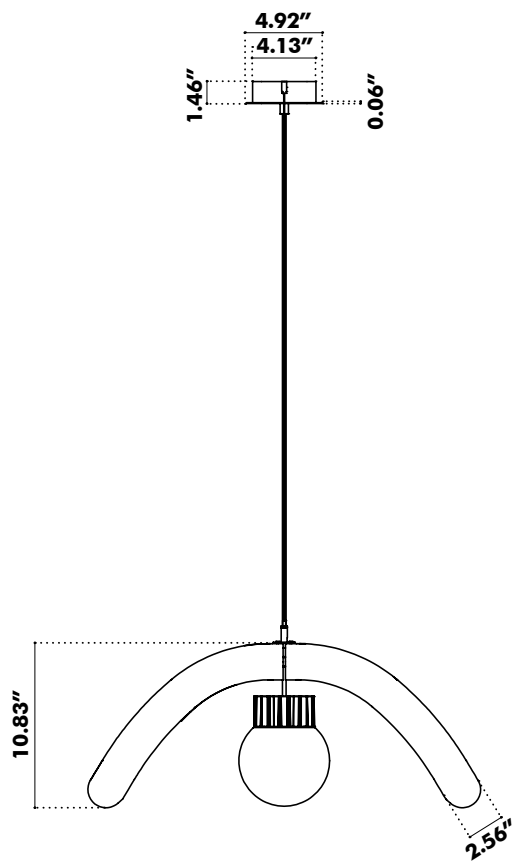
---

# Dimensions

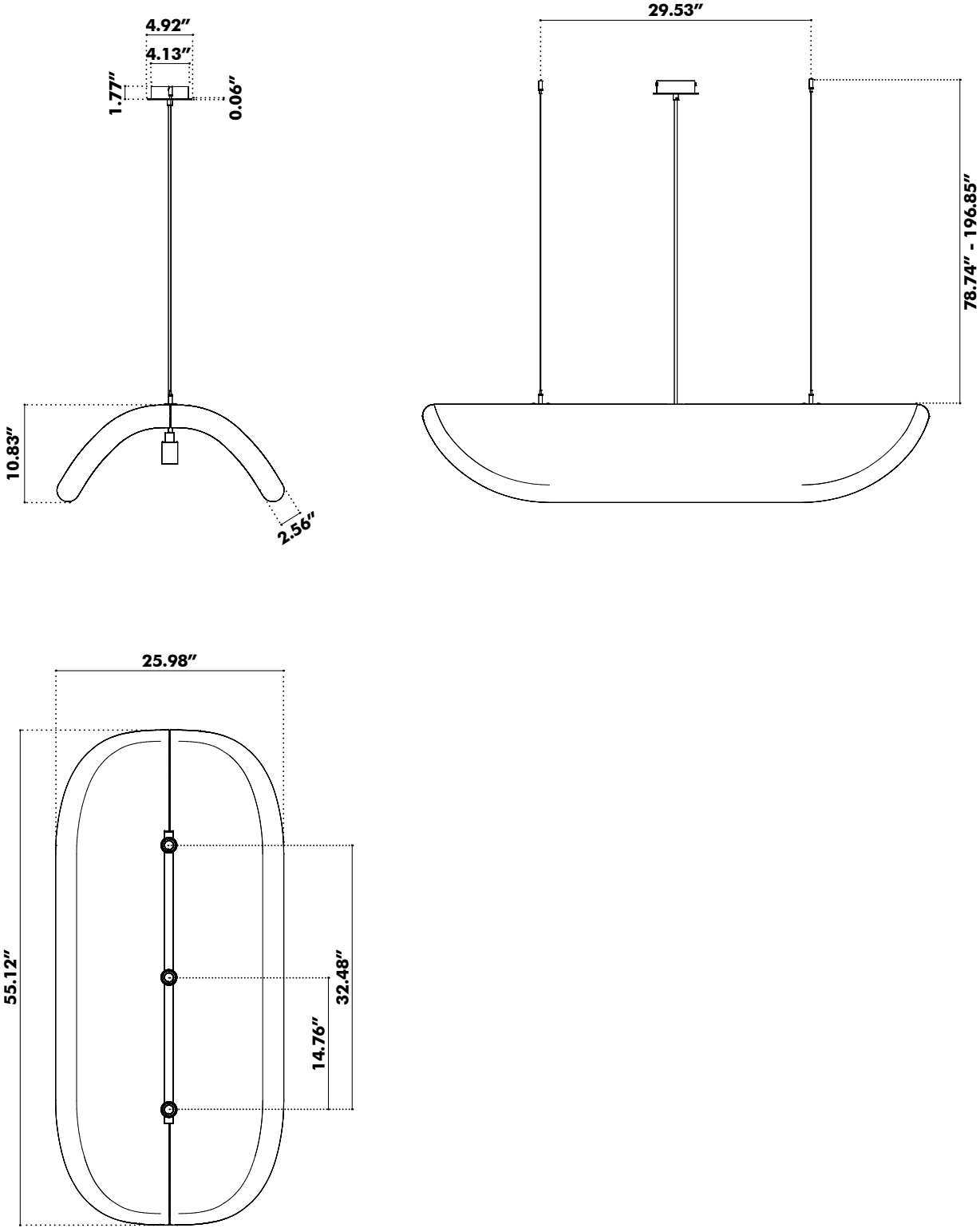
## BuzziChip Small Retrofit



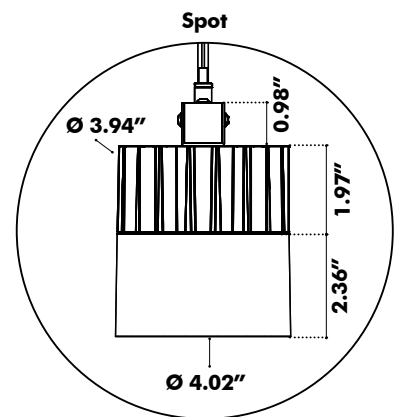
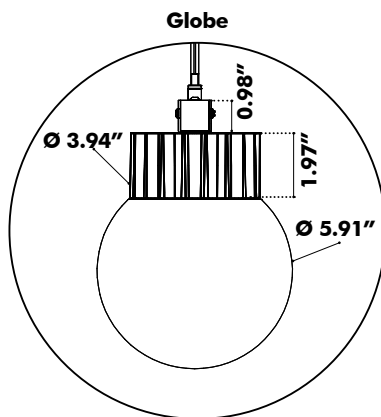
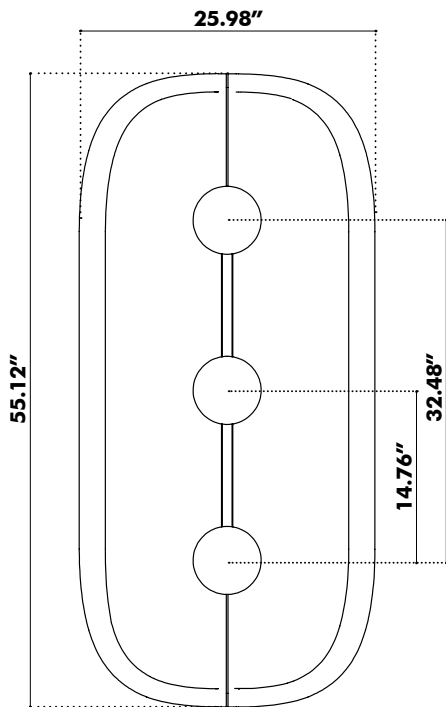
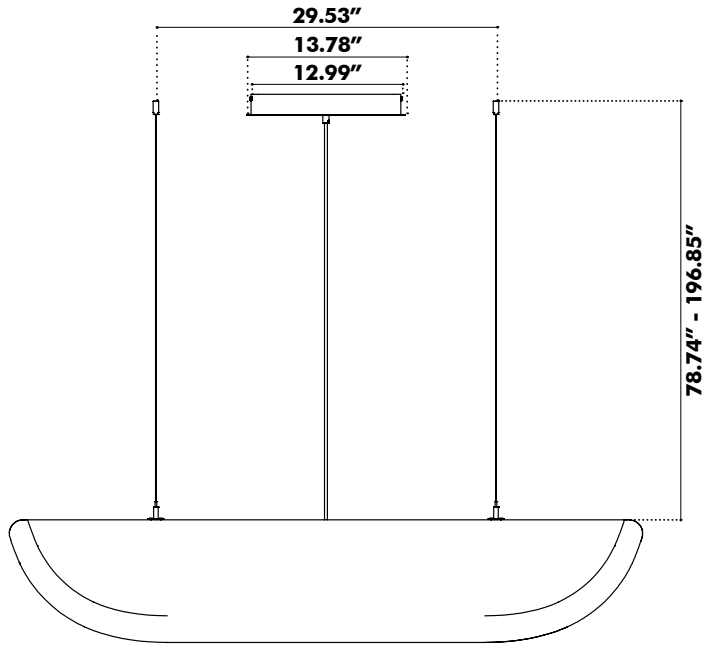
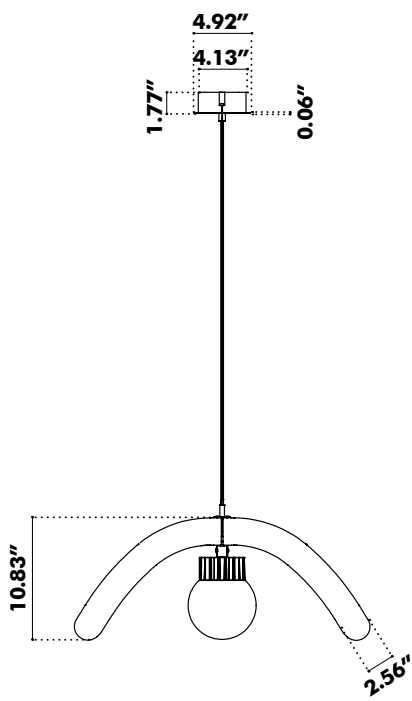
**BuzziChip Small LED**



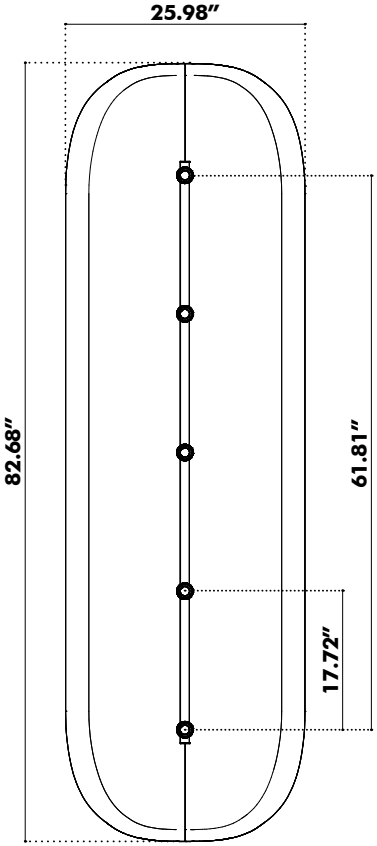
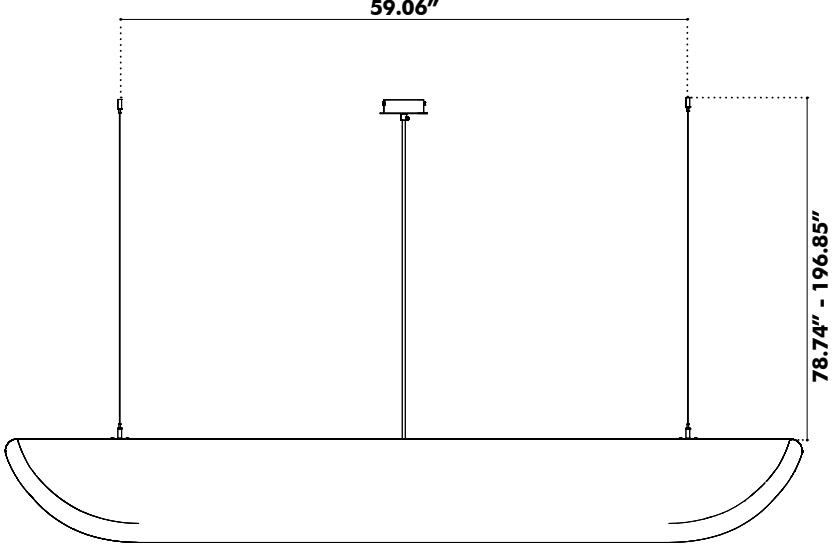
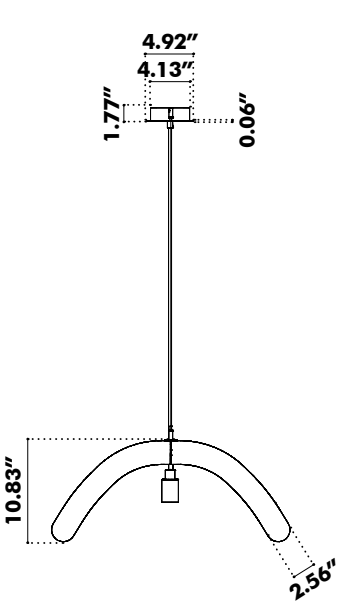
**BuzziChip Medium Retrofit**



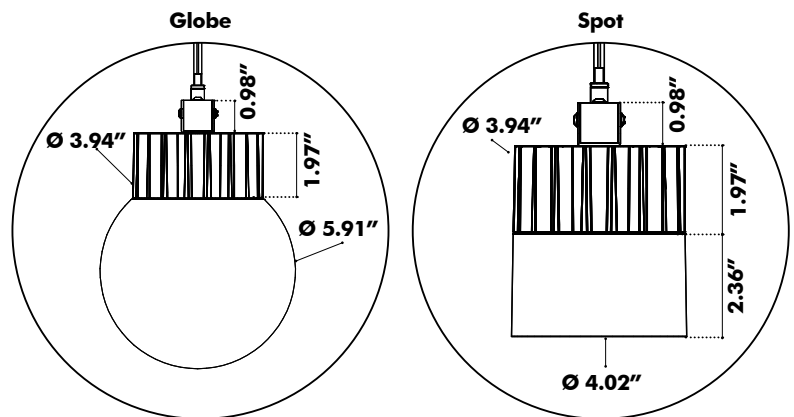
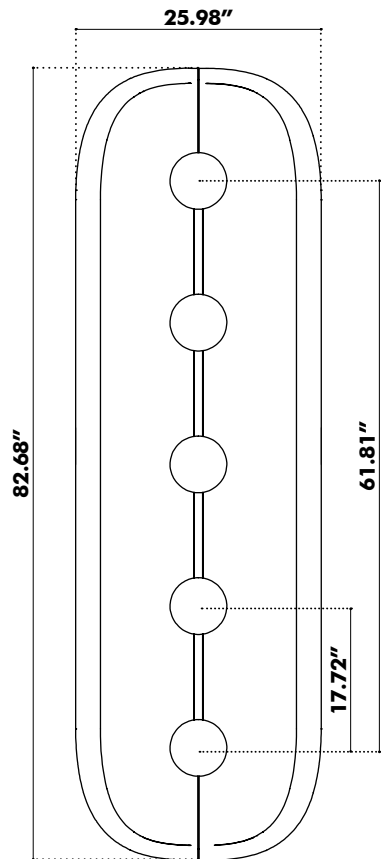
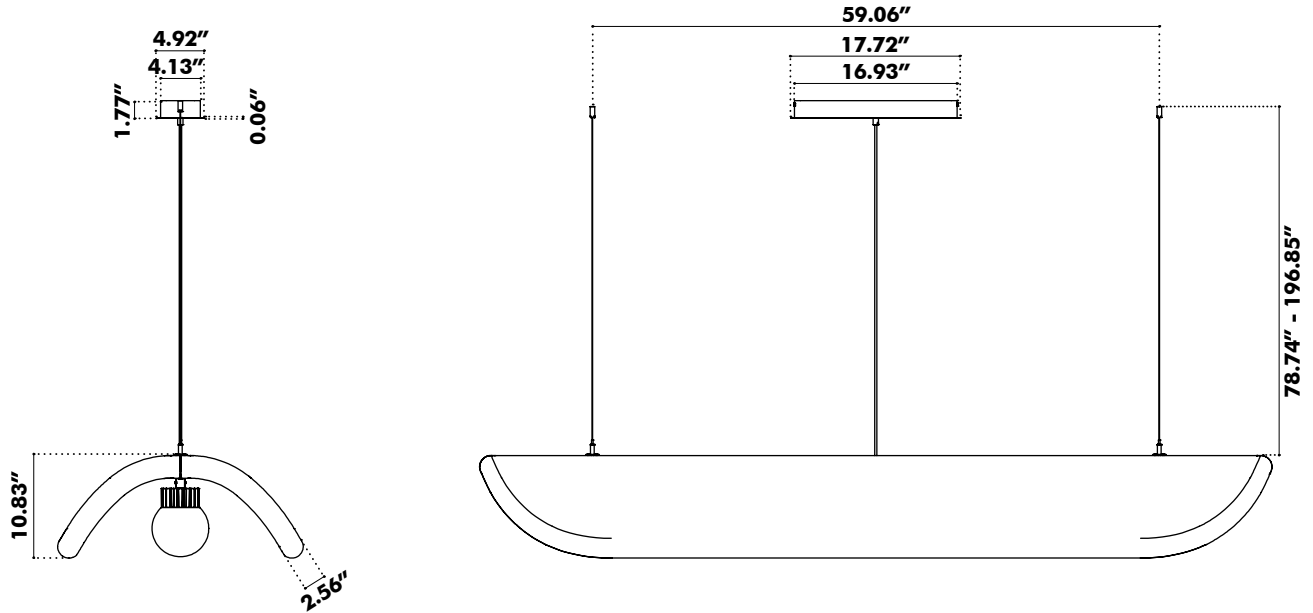
# BuzziChip Medium LED



**BuzziChip Large Retrofit**



# BuzziChip Large LED

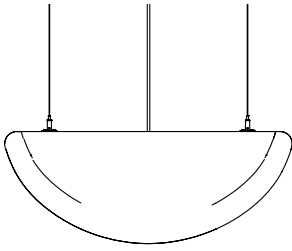




---

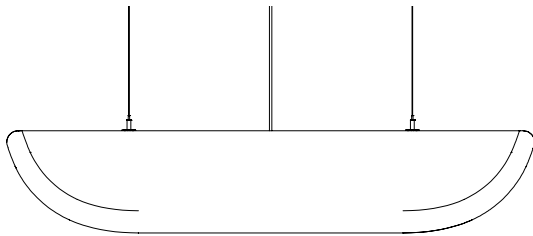
# Weights

## BuzziChip Small



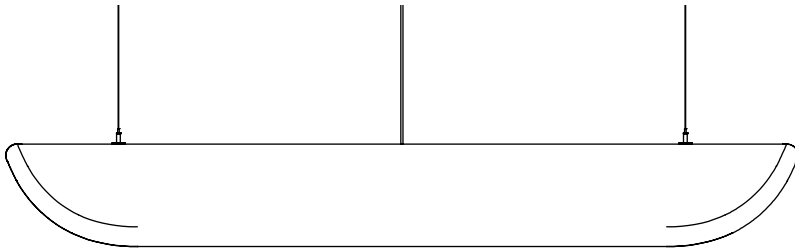
13.23 lbs

## BuzziChip Medium



25.46 lbs

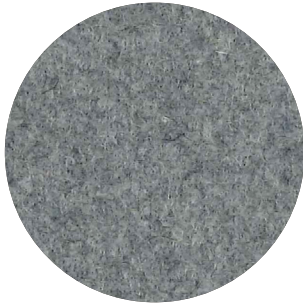
## BuzziChip Large



47.40 lbs

# Fabrics

## Fabric (45 colors)



**Category A**

**Composition** 70% Recycled Wool, 25% Recycled Polyacryl,  
5% Recycled Other Fabrics

**Weight** 405 g/m<sup>2</sup> | 11.94 oz/yd<sup>2</sup>

**Abrasion resistance** 40.000 Martindale, 50,000 Wyzenbeek

**Flammability** EU: EN 1021.1/2006 | BS EN 1021.1/2006 (cigarette).  
EN 1021.2/2006 | BS EN 1021.2/2006 (match)  
USA: CAL TB 117 | ASTM E84 CLASS A

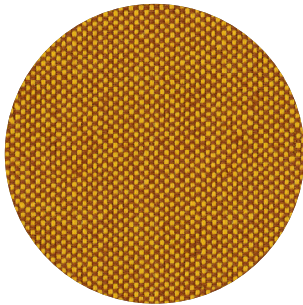
**Fastness to light** EU: 4 | USA 4

**Fastness to rubbing** EU: Wet 3-4 | Dry 4-5

**Fastness to crocking** USA: Wet 5 | Dry 5



## Trevira CS+ | CS (47 colors)



**Category A**

**Weight** 420 g/m<sup>2</sup> | 12.39 oz/yd<sup>2</sup>

**Composition** 100% Polyester, Trevira CS

**Abrasion resistance** 100.000 Martindale, 90,000 Wyzenbeek

**Flammability** BS 5852 part II: CRIB 5 | BS 7176 Medium Hazard  
USA: CAL TB 117 | M1 | B1 | EN 1021/1-2 | C1 |  
IMO Res. A652 (16)

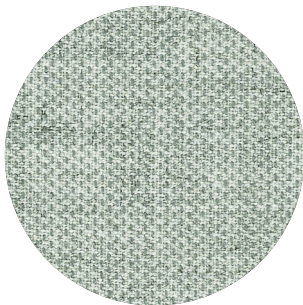
**Fastness to light** EU: 6 | USA 5

**Fastness to rubbing** EU: Wet 4-5 | Dry 4-5

**Fastness to crocking** USA: Wet 5 | Dry 5



## Clara 2 (24 colors)



**Category B**

**Composition** 92% new wool, 8% nylon

**Weight** 400 g/lin.m

**Abrasion resistance** 80.000 Martindale rubs, EN ISO 12947

**Flammability** EN 1021-1/2 | BS 5852, ignition source 2-3 | DIN 4102 B2  
NF D 60 013 | UNI 9175 1IM | US Cal. Tech. Bull. 117, Sec. E  
NFPA 260 | IMO A.652(16)

**Fastness to light** Note 5-7, ISO 105-B02

**Fastness to rubbing** (ISO) dry 4-5, wet 4

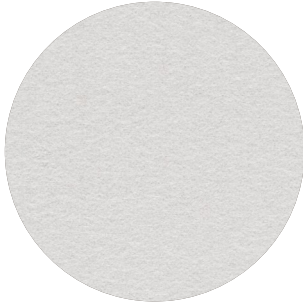
**Pilling** Note 4, EN ISO 12945



kvadrat

## Hero 2 (33 colors)

kvadrat



**Category C**

**Composition** 97% new wool, 3% nylon

**Weight** 580 g/lin.m

**Abrasion resistance** 45.000 Martindale rubs, EN ISO 12947

**Flammability** EN 1021-1/2 | DIN 4102 B2 | NF D 60 013  
UNI 9175 1IM | US Cal. Bull. 117-2013 | NFPA 260  
IMO A.652 (16)

**Fastness to light** Note 5-6, ISO 105-B02

**Fastness to rubbing** (ISO) dry 4-5, wet 4-5

**Pilling** Note 3-4, EN ISO 12945



## Tonus 4 (47 colors)

kvadrat



**Category D**

**Composition** 90% new wool, 10% Helanca

**Weight** 665 g/lin.m

**Abrasion resistance** 100.000 Martindale rubs, EN ISO 12947

**Flammability** EN 1021-1/2 | BS 5852 part 1 | DIN 4102 B2  
Önorm B1/Q1 | NF D 60 013 | UNI 9175 1IM  
US Cal. Bull. 117-2013 | NFPA 260 | IMO A.652 (16)

**Fastness to light** Note 5-7, ISO 105-B02

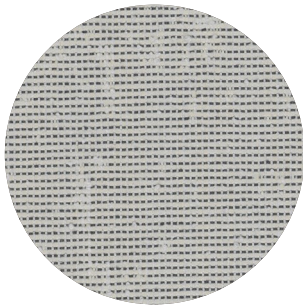
**Fastness to rubbing** (ISO) dry 3-5, wet 3-5

**Pilling** Note 3, EN ISO 12945



## Memory 2 (20 colors)

kvadrat



**Category E**

**Composition** 100% Trevira CS

**Weight** 700 g/lin.m

**Abrasion resistance**

35.000 rubs acc. to the Martindale method, EN ISO 12947

**Flammability** EN 1021-1/2 | DIN 4102 B1 | Önorm B1/Q1  
NF D 60 013 | NF P 92 507 M1 | UNI 9175 1IM  
UNI 9177 classe 1 | US Cal. Tech. Bull. 117  
IMO A.652 (16)

**Fastness to light** Note 5-8, ISO 105-B02

**Fastness to rubbing** (ISO) dry 4-5, wet 4-5

**Pilling** Note 4, EN ISO 12945

