



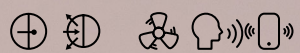
Product Specification Sheet

BuzziSurf EU

— By BuzziSpace Studio

An acoustic sanctuary

BuzziSurf is a height-adjustable acoustic lighting solution that can adapt to different zoning areas and spaces with low ceilings. Crafted from a plush, upholstered honeycomb and foam body, BuzziSurf helps to absorb excessive noise in any interior. For even more design freedom, adjust the height of the lighting fixture and BuzziSurf (Medium and Large only) separately for a unique and dynamic look.



The Family

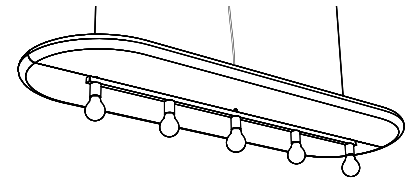
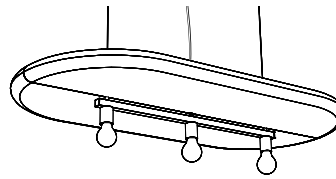
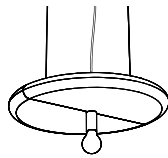
Models

BuzziSurf Small

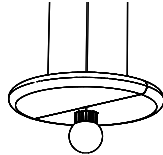
BuzziSurf Medium

BuzziSurf Large

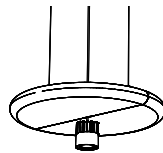
Retrofit E27
(Bulb excluded)



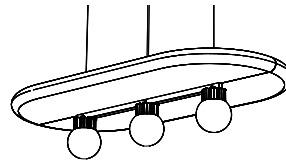
LED Solo Globe



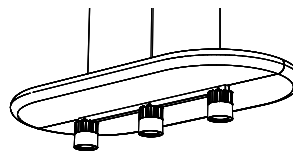
LED Solo Spot



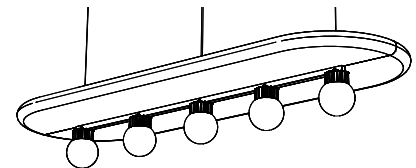
LED Trio Globe



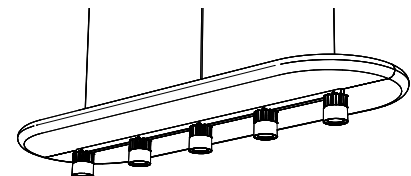
LED Trio Spot



LED Quintet Globe



LED Quintet Spot



Lighting Units

Required order information

1. Size
2. Light Option
3. Fabric (CAT -> Collection -> Color)
4. Mounting Option

Lighting Data

Lighting Units

Retrofit Lighting unit



The Surf Small retrofit includes 1 x E27 fitting. (Max. 40W)
BuzziSurf Medium retrofit includes 3 x E27 fitting. (Max. 60W)
BuzziSurf Large retrofit includes 5 x E27 fitting. (Max. 60W)
Bulb excluded

LED Globe



The LED fixtures consists of 1,3 or 5 powder-coated black heatsinks with LED chip on board (COB) light source(s).
The product can be finished with a frosted glass globe diffuser which spreads the light in a large beam angle of 170°, enlighting the surroundings or a reflector spot adaptor directing the light with a beam angle of 38° downwards.

LED Spot



BuzziSurf

Model: Small

Lighting Options		Characteristics		Mounting
Lighting Unit	Voltage Input	Technical	Visual	Options
Retrofit Solo	220-240V	Wattage: Max. 40W	Color: Power Cable: Black Ceiling Canopy: Black	2 cables of 2 or 5 m Alu or Black

Lighting Options		Characteristics			Mounting		
Lighting Unit	Voltage Input	Color Temperature	UGR (Diffuser type)	Dimming	Technical	Visual	Options
LED Solo	220-240V	3000K	23 (Globe)	1-10V DALI	Power consumption: 20W Light output: 1500 Lm Efficacy: 75 Lm/W CRI: > 90	Color: Power Cable: Black Ceiling Canopy: Black	2 cables of 2 or 5 m Alu or Black
			12 (Spot)	1-10V DALI	Power consumption: 20W Light output: 1500 Lm Efficacy: 75 Lm/W CRI: >w 90		

Model: Medium

Lighting Options		Characteristics		Mounting
Lighting Unit	Voltage Input	Technical	Visual	Options
Retrofit Trio	220 - 240V	Wattage: 3 x Max. 60W	Color: Power Cable: Black Ceiling Canopy: Black	2 cables of 2 or 5 m Alu or Black

Lighting Options		Characteristics			Mounting		
Lighting Unit	Voltage Input	Color Temperature	UGR (Diffuser type)	Dimming	Technical	Visual	Options
LED Trio	220 - 240V	3000K	23 (Globe)	1-10V	Power consumption: 51W Light output: 3 x1500 Lm Efficacy: 88 Lm/W CRI: > 90	Color: Power Cable: Black Ceiling Canopy: Black	2 cables of 2 or 5 m Alu or Black
			12 (Spot)	1-10V	Power consumption: 51W Light output: 3 x1500 Lm Efficacy: 88 Lm/W CRI: > 90		

Model: Large

Lighting Options

Characteristics

Mounting

Lighting Unit	Voltage Input	Technical	Visual	Options
Retrofit Quintet	220 - 240V	Wattage: 5 x Max. 60W	Color: Power Cable: Black Ceiling Canopy: Black	2 cables of 2 or 5 m Alu or Black

Lighting Options

Characteristics

Mounting

Lighting Unit	Voltage Input	Color Temperature	UGR (Diffuser type)	Dimming	Technical	Visual	Options
LED Quintet	220 - 240V	3000K	23 (Globe)	1-10V	Power consumption: 89W Light output: 5 x 1500 Lm Efficacy: 84 Lm/W CRI: > 90	Color: Power Cable: Black Ceiling Canopy: Black	2 cables of 2 or 5 m Alu or Black
			12 (Spot)	1-10V	Power consumption: 89W Light output: 5 x 1500 Lm Efficacy: 84 Lm/W CRI: > 90		

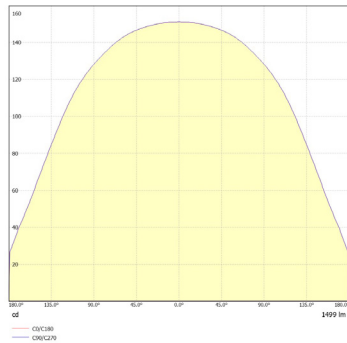


CE CB

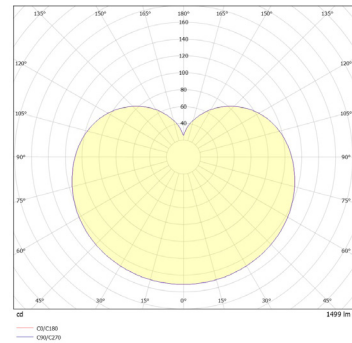
Photometric Data

BuzziSurf Small LED Solo

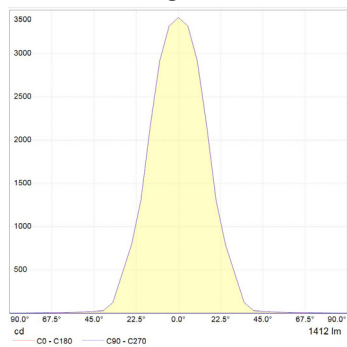
LED Solo Globe Cartesian diagram



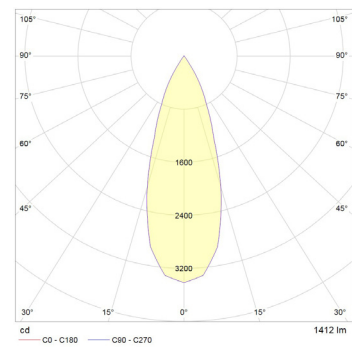
LED Solo Globe Polar curve



LED Solo Spot Cartesian diagram

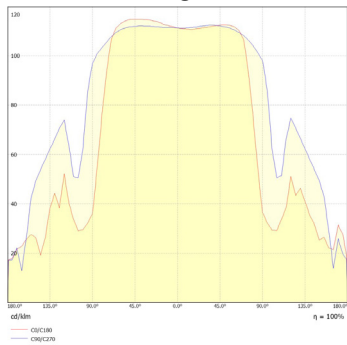


LED Solo Spot Polar curve

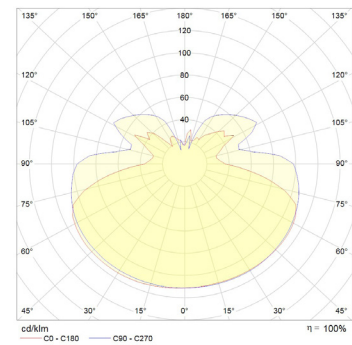


BuzziSurf Medium LED Trio

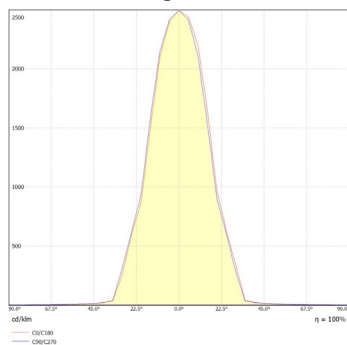
LED Trio Globe Cartesian diagram



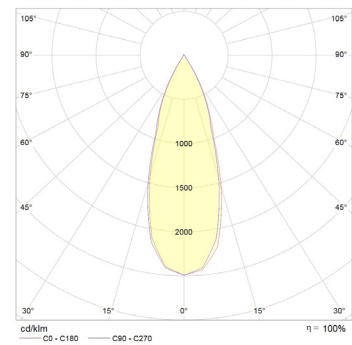
LED Trio Globe Polar curve



LED Trio Spot Cartesian diagram

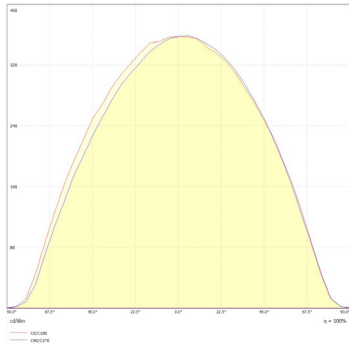


LED Trio Spot Polar curve

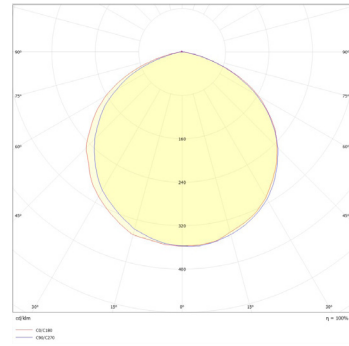


BuzziSurfa Large LED Quintet

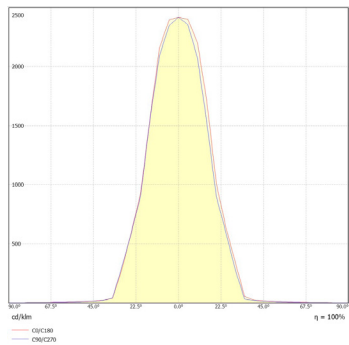
LED Quintet Globe Cartesian diagram



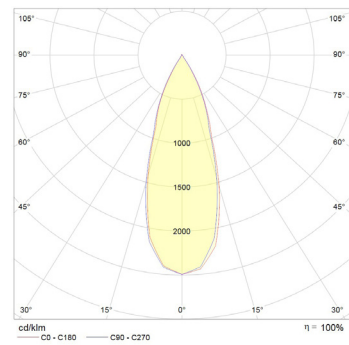
LED Quintet Globe Polar curve



LED Quintet Spot Cartesian diagram



LED Quintet Spot Polar curve



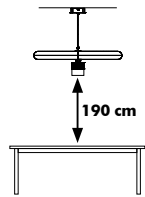
Tips and Tricks - Light Options

To enlighten your workplace with optimal lux levels take following measurements into account:

BuzziSurf Small BuzziSol Solo

Solo Spot

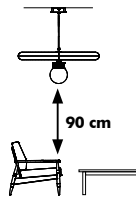
Office,
Meeting room



500 Lux

Solo Globe

Office,
Meeting room

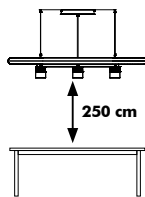


100 Lux

BuzziSurf Medium BuzziSol Trio

Trio Spot

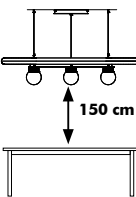
Office,
Meeting room



500 Lux

Trio Globe

Office,
Meeting room

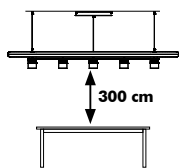


500 Lux

BuzziSurf Large BuzziSol Quintet

Quintet Spot

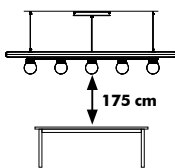
Office
Meeting room



500 Lux

Quintet Globe

Office,
Meeting room



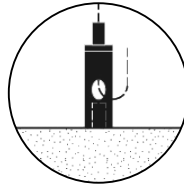
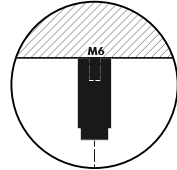
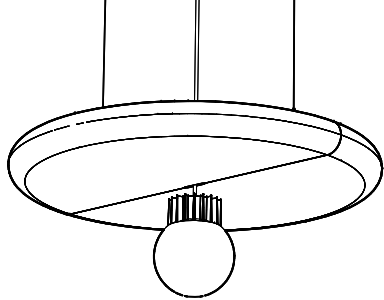
500 Lux

* According to EN12464

Product Data

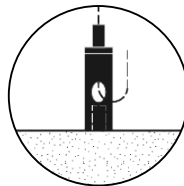
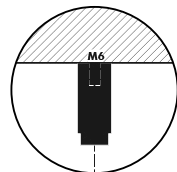
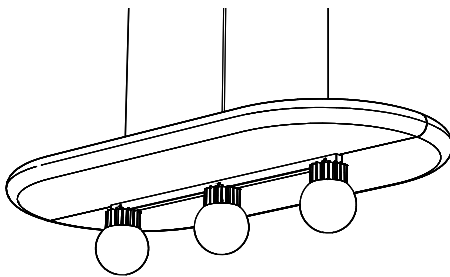
Fixing System

Fixing System Acoustic Panel



BuzziSurf Small is suspended on 2 cables of 2 or 5 m, black or alu colored, with fixing screw.

Fixing System Lighting



The light elements of BuzziSurf Medium and BuzziSurf Large are suspended independently from the acoustic panel with 2 cables of 2 or 5 m, black or alu colored, with fixing system screw

⚠ If installing on suspended ceiling, verify load capacity prior to installation.

Acoustic Panel



The acoustic panel is upholstered front to back in a chosen fabric.



Absorption



Diffusion



Low tone



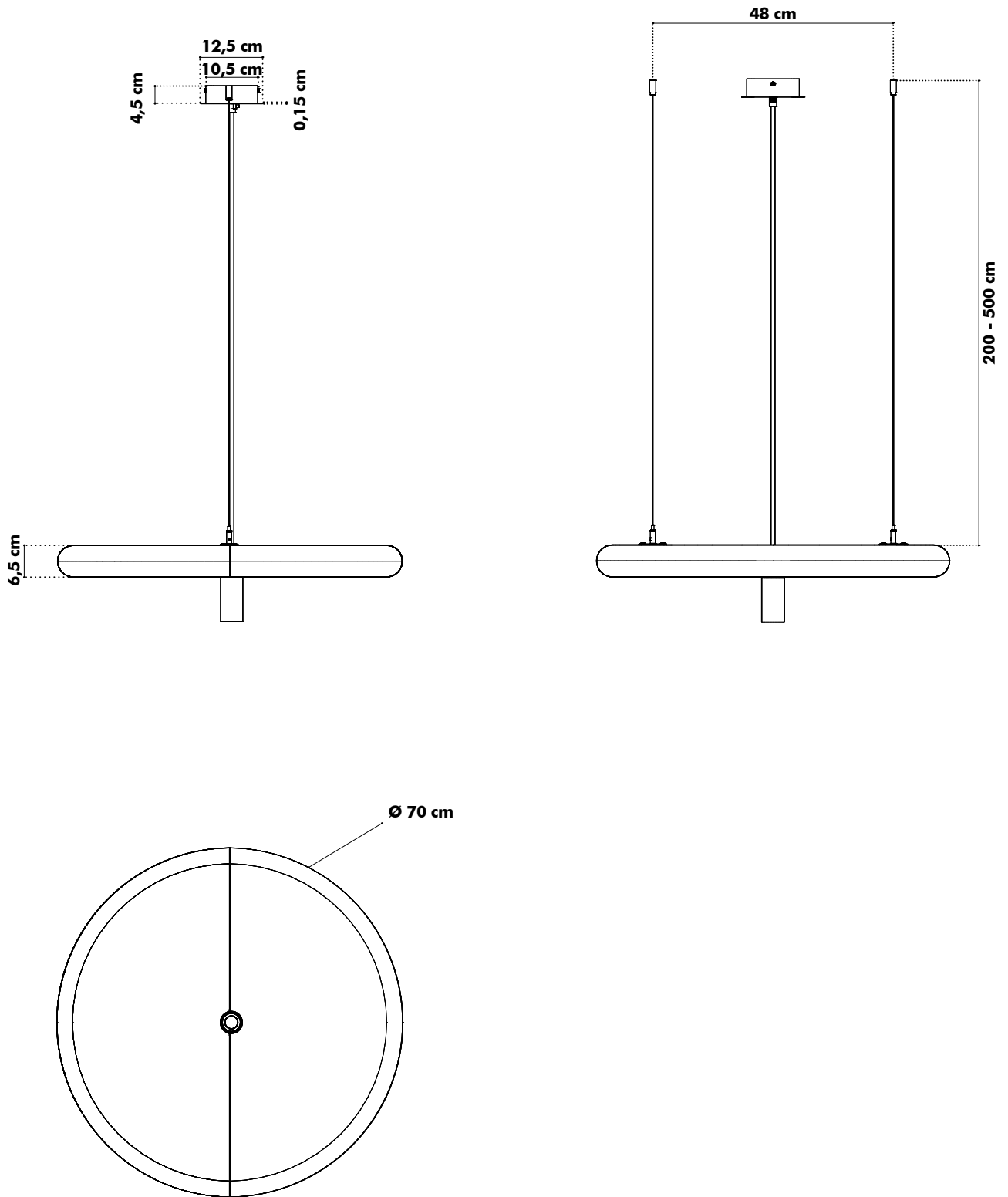
Mid tone



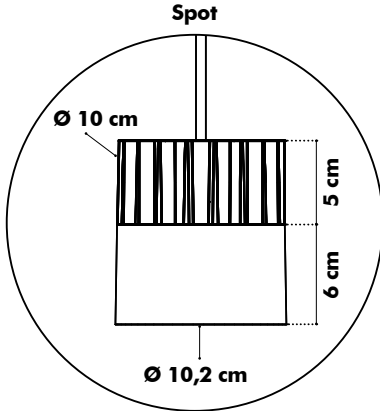
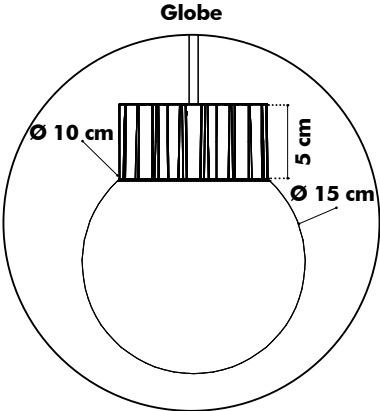
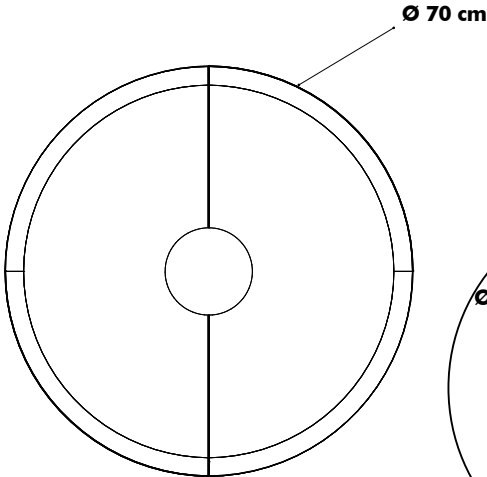
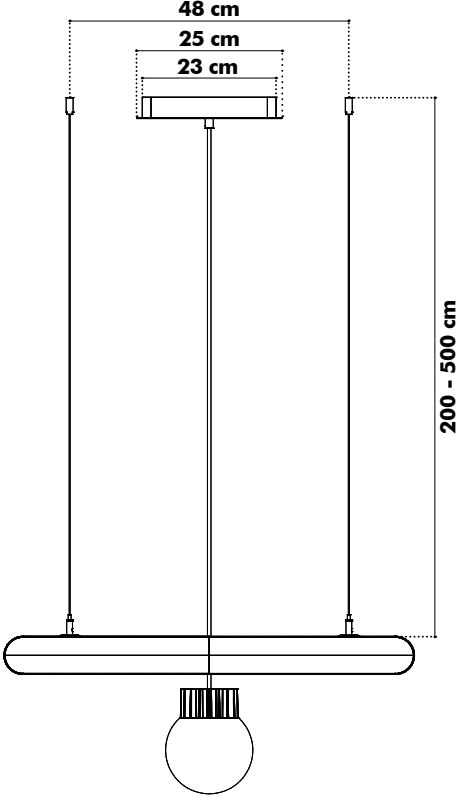
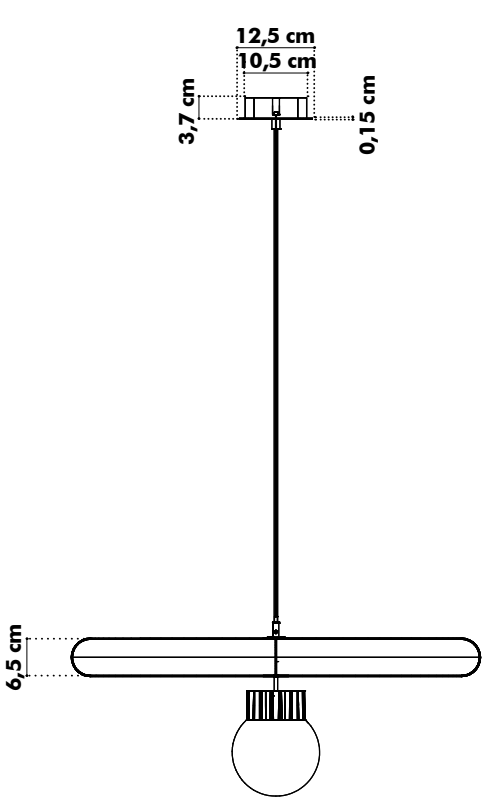
High tone

Dimensions

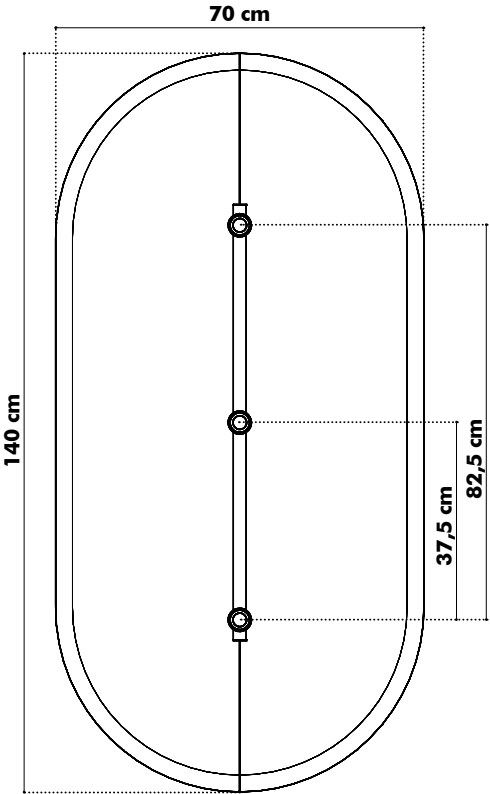
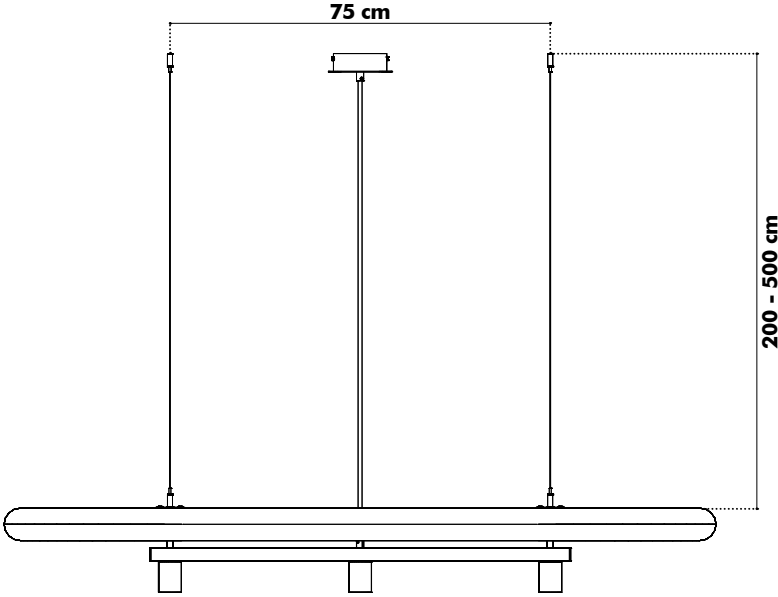
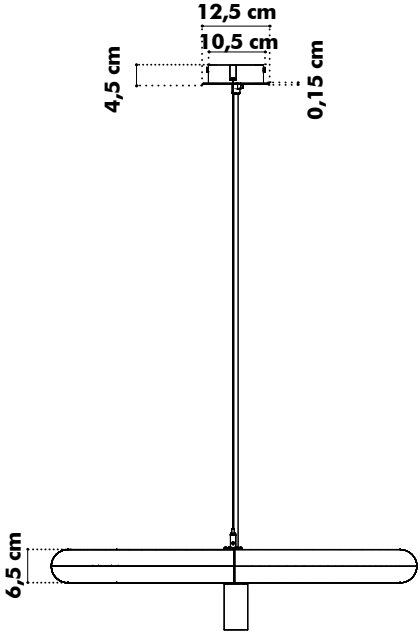
BuzziSurf Small Retrofit



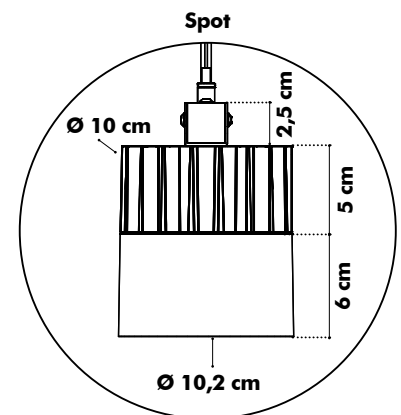
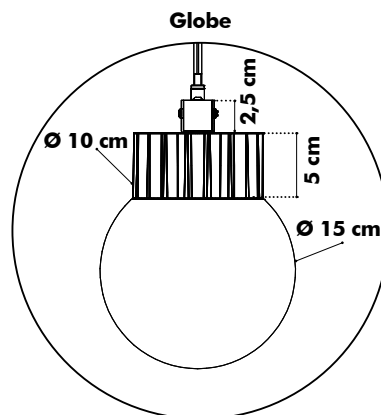
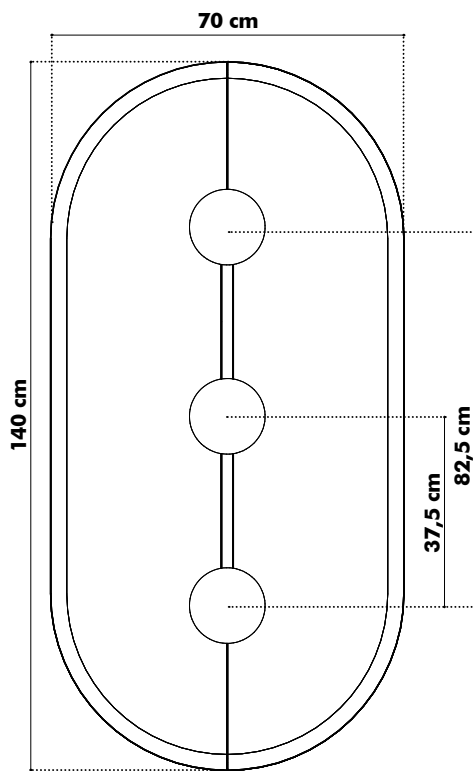
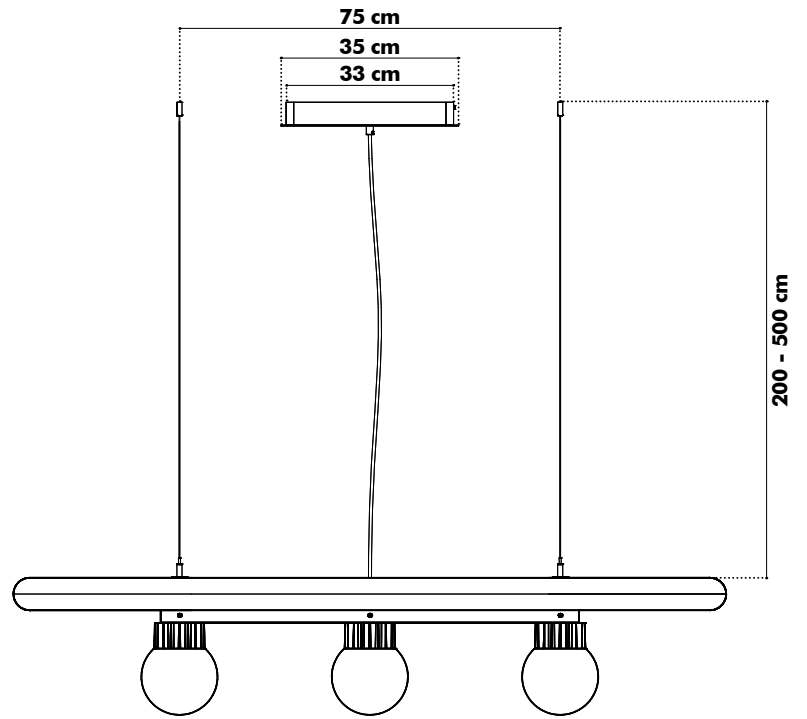
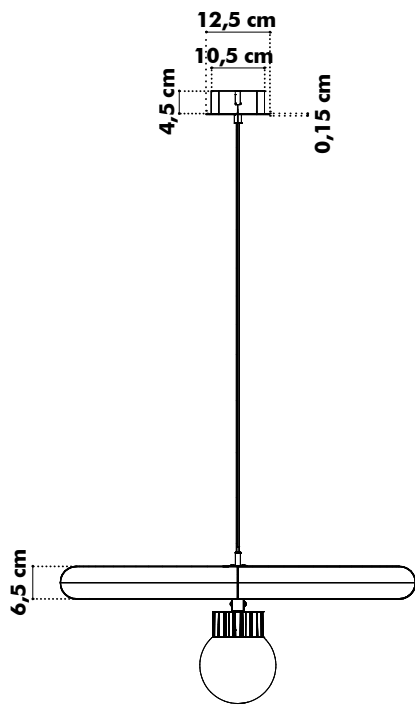
BuzziSurf Small LED



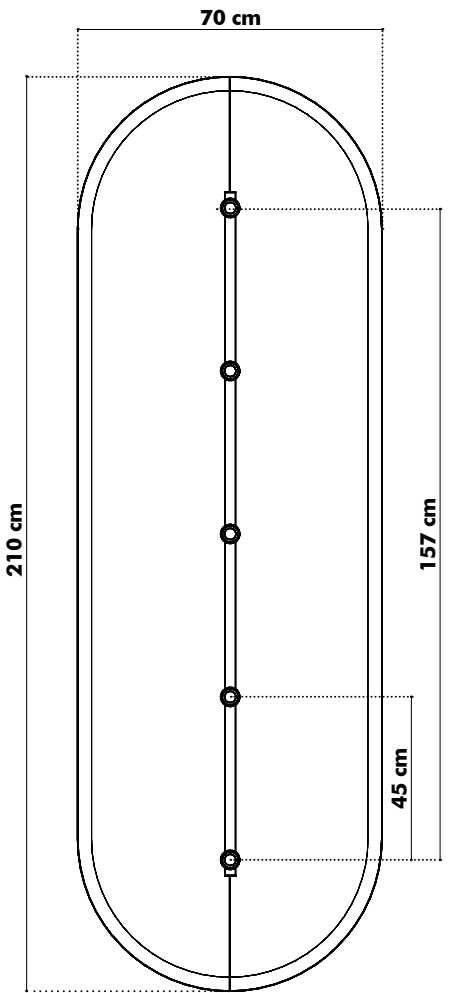
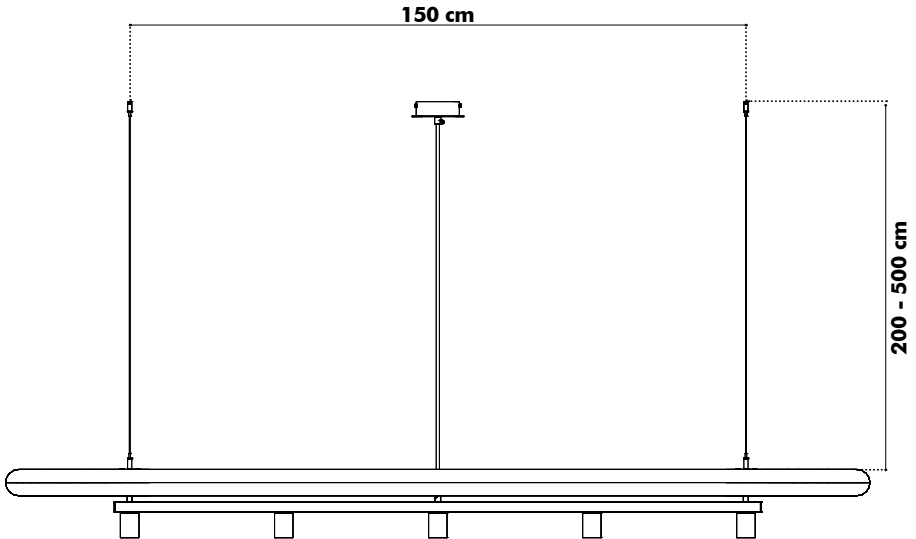
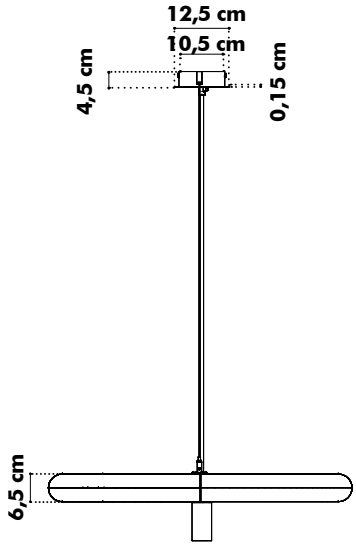
BuzziSurf Medium Retrofit



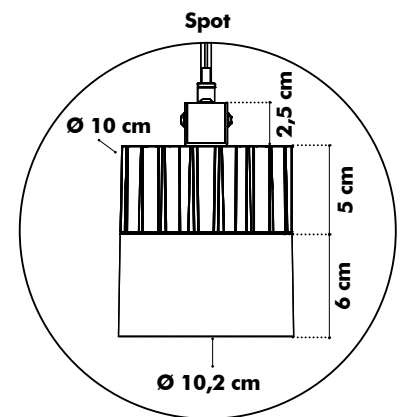
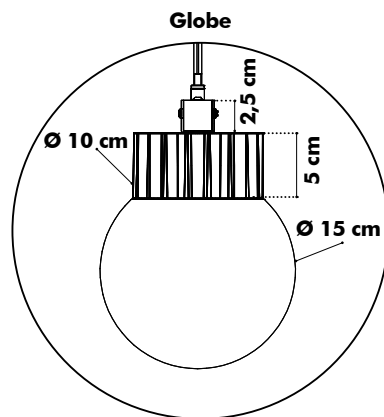
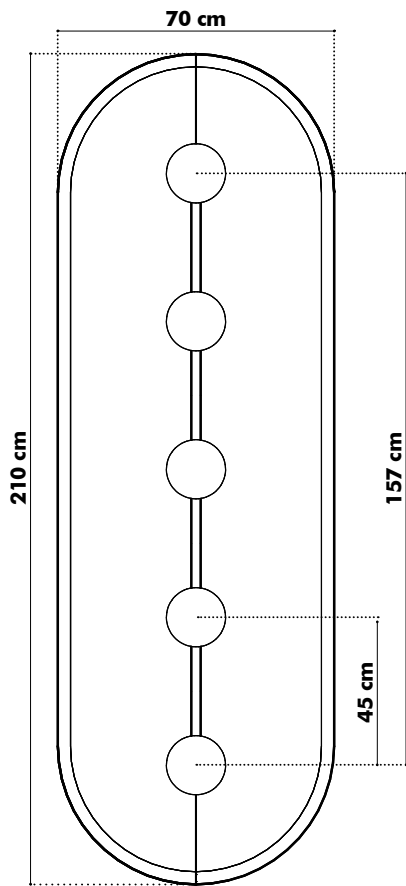
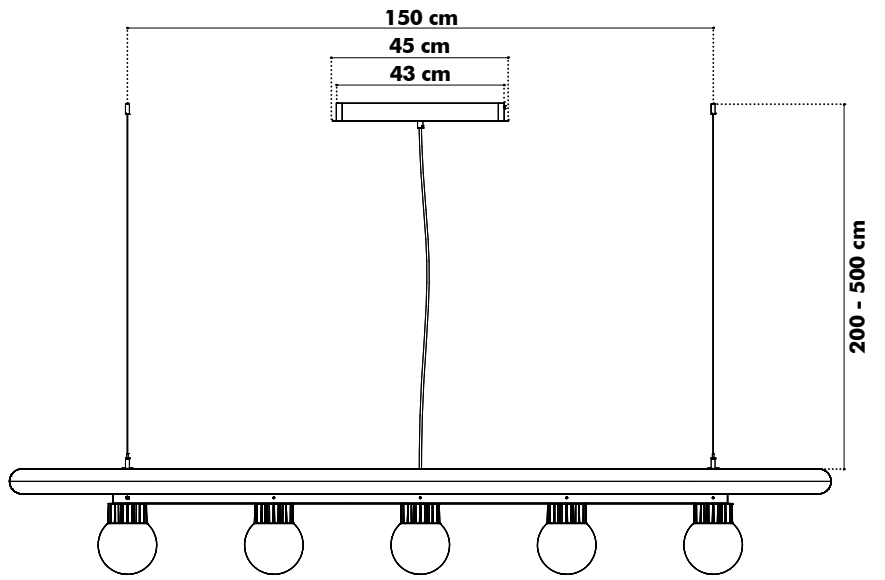
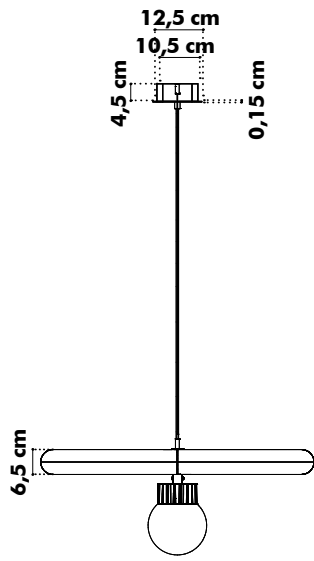
BuzziSurf Medium LED



BuzziSurf Large Retrofit

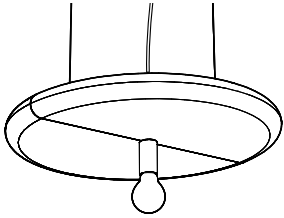


BuzziSurf Large LED



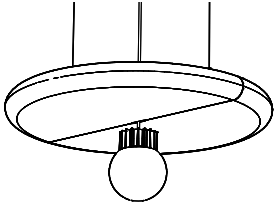
Weights

BuzziSurf Small Retro



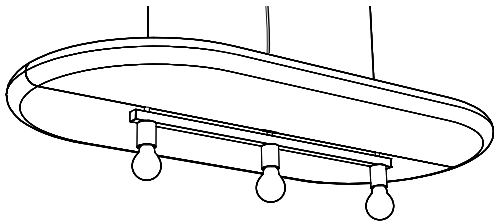
⚖️ 3,8 kg

BuzziSurf Small LED



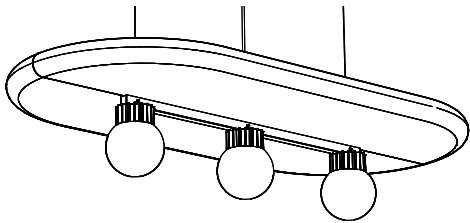
⚖️ 4,8 kg

BuzziSurf Medium Retrofit



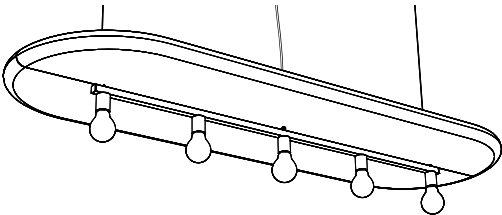
⚖️ 9,5 kg

BuzziSurf Medium LED



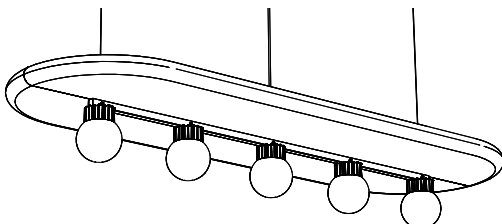
⚖️ 10,5 kg

BuzziSurf Large Retrofit



⚖️ 15,2 kg

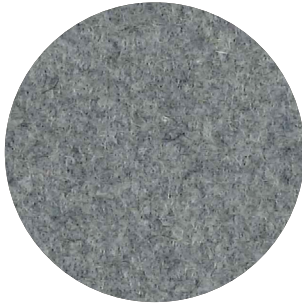
BuzziSurf Large LED



⚖️ 16,2 kg

Fabrics

Fabric (45 colors)



Category A

Composition 70% Recycled Wool, 25% Recycled Polyacryl,
5% Recycled Other Fabrics

Weight 405 g/m² | 11.94 oz/yd²

Abrasion resistance 40.000 Martindale, 50,000 Wyzenbeek

Flammability EU: EN 1021.1/2006 | BS EN 1021.1/2006 (cigarette).
EN 1021.2/2006 | BS EN 1021.2/2006 (match)
USA: CAL TB 117 | ASTM E84 CLASS A

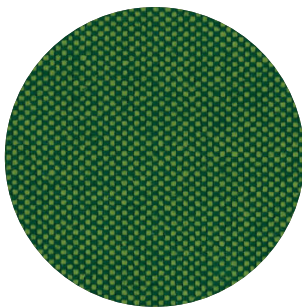
Fastness to light EU: 4 | USA 4

Fastness to rubbing EU: Wet 3-4 | Dry 4-5

Fastness to crocking USA: Wet 5 | Dry 5



Trevira CS+ | CS (47 colors)



Category A

Weight 420 g/m² | 12.39 oz/yd²

Composition 100% Polyester, Trevira CS

Abrasion resistance 100.000 Martindale, 90,000 Wyzenbeek

Flammability BS 5852 part II: CRIB 5 | BS 7176 Medium Hazard
USA: CAL TB 117 | M1 | B1 | EN 1021/1-2 | C1 |
IMO Res. A652 (16)

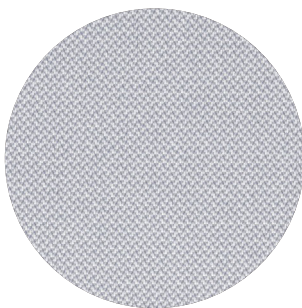
Fastness to light EU: 6 | USA 5

Fastness to rubbing EU: Wet 4-5 | Dry 4-5

Fastness to crocking USA: Wet 5 | Dry 5



Revive 1 (25 colors)



Category A

Composition 100% recycled polyester FR

Weight 430 g/lin.m

Abrasion resistance 60.000 Martindale rubs, EN ISO 12947

Flammability EN 1021-1/2 | DIN 4102 B1 | Önorm B1/Q1
UNI 9175 1IM | US Cal. Tech. Bull. 117
IMO A.652 (16)

Fastness to light Note 5-7, ISO 105-B02

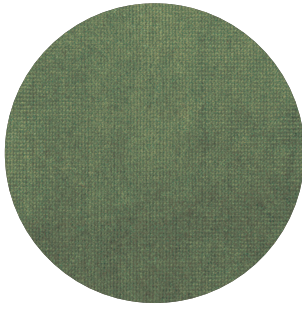
Fastness to rubbing (ISO) dry 5, wet 4-5

Pilling Note 4-5, EN ISO 12945



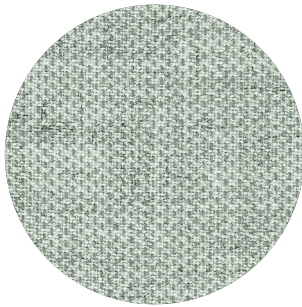
kvadrat

Velvet (12 colors)



Category B
Composition 100% PES
Weight 375 g/m² | 11.06 oz/yd²
Abrasion resistance > 100.000 Martindale
Fastness to light EU: 4-5
Fastness to rubbing EU: Wet 4 | Dry 4-5
Pilling EU: 4-5

Clara 2 (24 colors)



Category B
Composition 92% new wool, 8% nylon
Weight 400 g/lin.m
Abrasion resistance 80.000 Martindale rubs, EN ISO 12947
Flammability EN 1021-1/2 | BS 5852, ignition source 2-3 | DIN 4102 B2
NF D 60 013 | UNI 9175 11M | US Cal. Tech. Bull. 117, Sec. E
NFPA 260 | IMO A.652(16)
Fastness to light Note 5-7, ISO 105-B02
Fastness to rubbing (ISO) dry 4-5, wet 4
Pilling Note 4, EN ISO 12945



kvadrat

Remix 3 (73 colors)



Category B
Composition 90% new wool, 10% nylon
Weight 415 g/lin.m
Abrasion resistance 100.000 Martindale rubs, EN ISO 12947
Flammability EN 1021-1/2 | BS 5852 part 1
Önorm B1/Q1 | NF D 60 013 | UNI 9175, 11M
AS/NZS 1530.3 | Cal. Tech. Bull. 117-2013
NFPA 260 | IMO FTP Code 2010:Part 8
Fastness to light Note 5-7, ISO 105-B02
Fastness to rubbing (ISO) dry 4-5, wet 4
Pilling Note 4, EN ISO 12945



kvadrat

Hero 2 (33 colors)



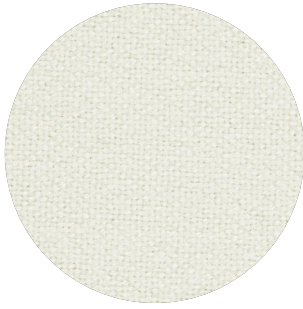
Category C
Composition 97% new wool, 3% nylon
Weight 580 g/lin.m
Abrasion resistance 45.000 Martindale rubs, EN ISO 12947
Flammability EN 1021-1/2 | DIN 4102 B2 | NF D 60 013
UNI 9175 11M | US Cal. Bull. 117-2013 | NFPA 260
IMO A.652 (16)
Fastness to light Note 5-6, ISO 105-B02
Fastness to rubbing (ISO) dry 4-5, wet 4-5
Pilling Note 3-4, EN ISO 12945



kvadrat

Tonus 4 (47 colors)

kvadrat



Category D

Composition 90% new wool, 10% Helanca

Weight 665 g/lin.m

Abrasion resistance 100.000 Martindale rubs, EN ISO 12947

Flammability EN 1021-1/2 | BS 5852 part 1 | DIN 4102 B2

Önorm B1/Q1 | NF D 60 013 | UNI 9175 11M

US Cal. Bull. 117-2013 | NFPA 260 | IMO A.652 (16)

Fastness to light Note 5-7, ISO 105-B02

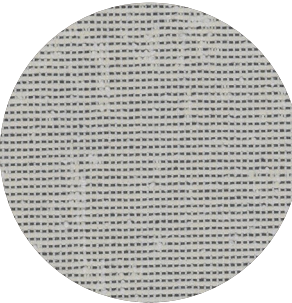
Fastness to rubbing (ISO) dry 3-5, wet 3-5

Pilling Note 3, EN ISO 12945



Memory 2 (20 colors)

kvadrat



Category E

Composition 100% Trevira CS

Weight 700 g/lin.m

Abrasion resistance

35.000 rubs acc. to the Martindale method, EN ISO 12947

Flammability EN 1021-1/2 | DIN 4102 B1 | Önorm B1/Q1

NF D 60 013 | NF P 92 507 M1 | UNI 9175 11M

UNI 9177 classe 1 | US Cal. Tech. Bull. 117

IMO A.652 (16)

Fastness to light Note 5-8, ISO 105-B02

Fastness to rubbing (ISO) dry 4-5, wet 4-5

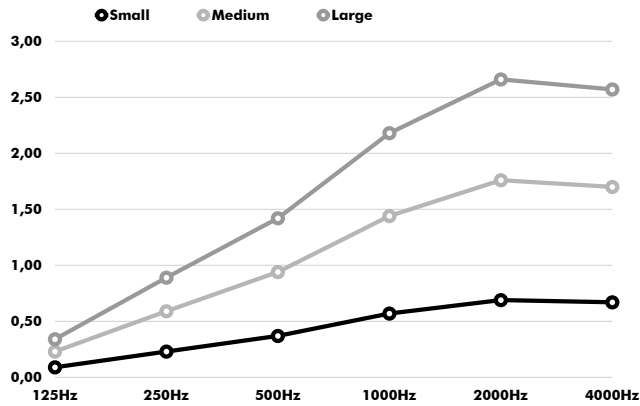
Pilling Note 4, EN ISO 12945



Acoustics

BuzziPleat Ceiling

Equivalent sound absorption area in m² per object



Hz	Small Aeq/m ²	Medium Aeq/m ²	Large Aeq/m ²
125	0.09	0.23	0.34
250	0.23	0.59	0.89
500	0.37	0.94	1.42
1000	0.57	1.44	2.18
2000	0.69	1.76	2.66
4000	0.67	1.70	2.57