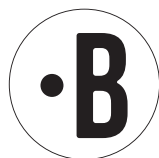
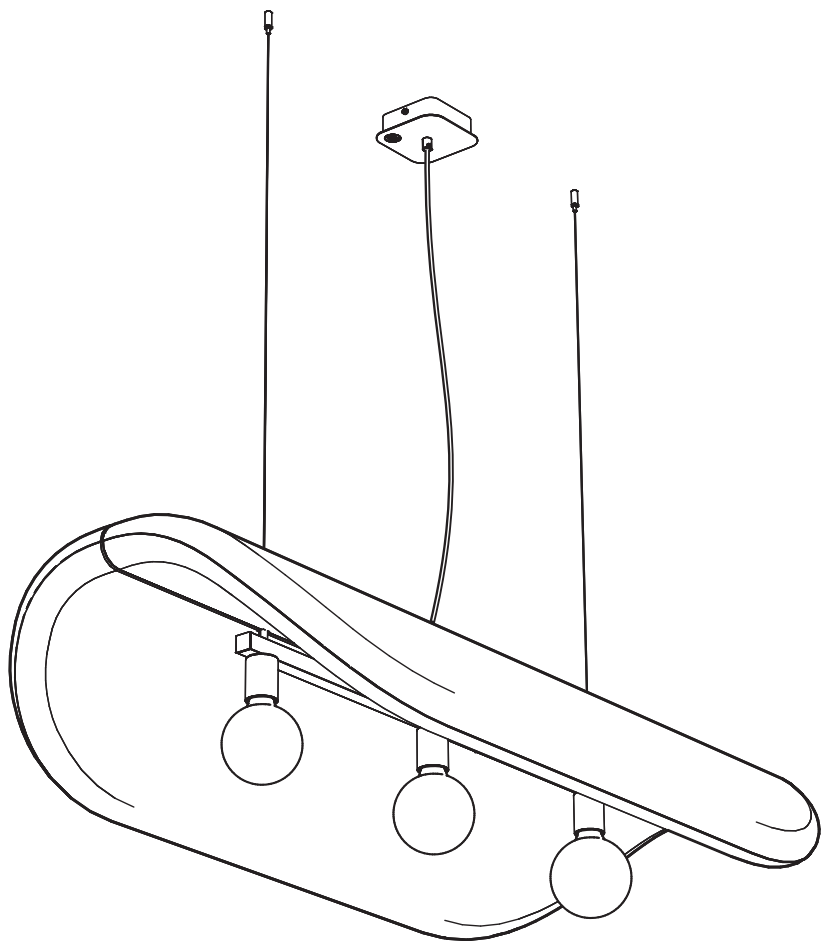


BuzziChip

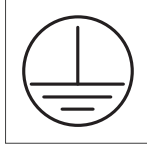
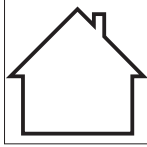
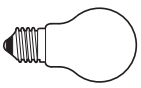
INSTALLATION MANUAL

220-240V



Technical info

E27

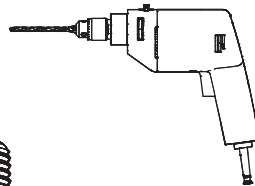
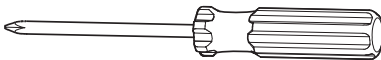
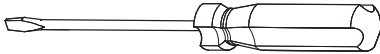


The external flexible cable or cord of this luminaire cannot be replaced; if the cord is damaged, the luminaire shall be destroyed.

Environmental Protection

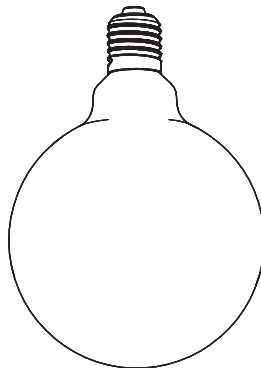
Waste electrical products should not be disposed of with household waste. Please recycle where facilities exist. Check with your Local Authority or retailer for recycling advice.

Excluded

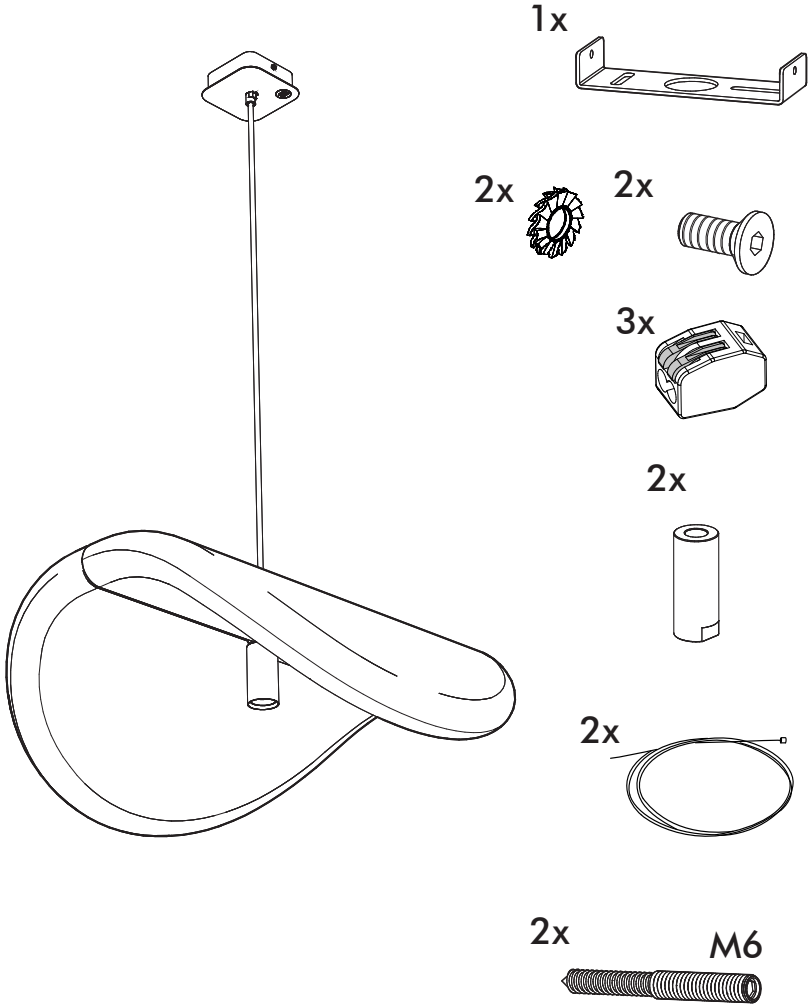


2x 

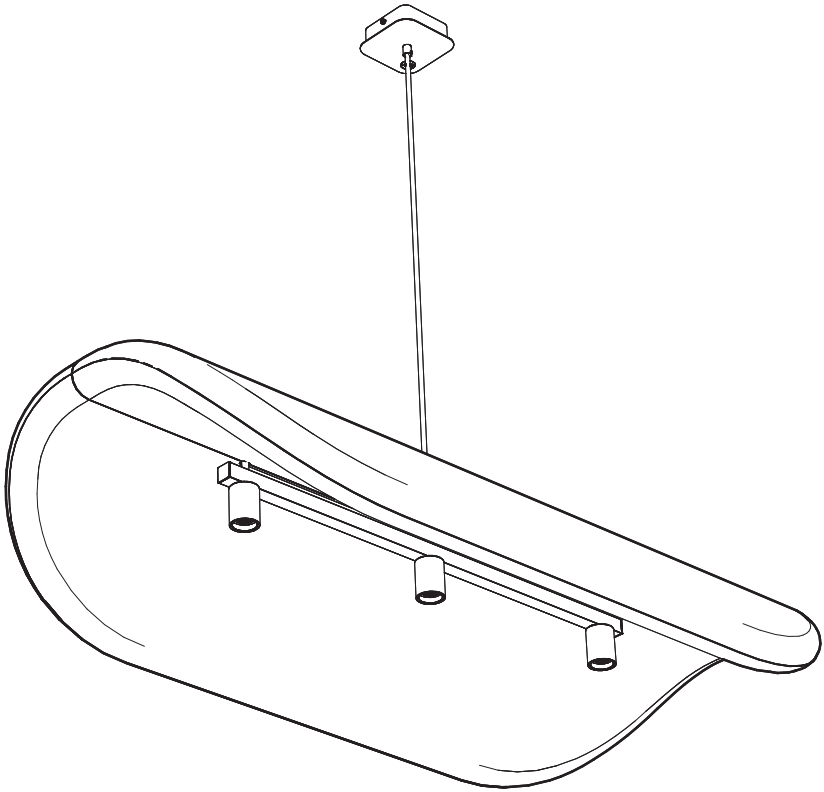
2x 



Included BuzziChip Small Retrofit



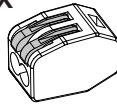
Included BuzziChip Medium Retrofit



1x



3x



2x



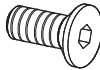
2x



2x



2x

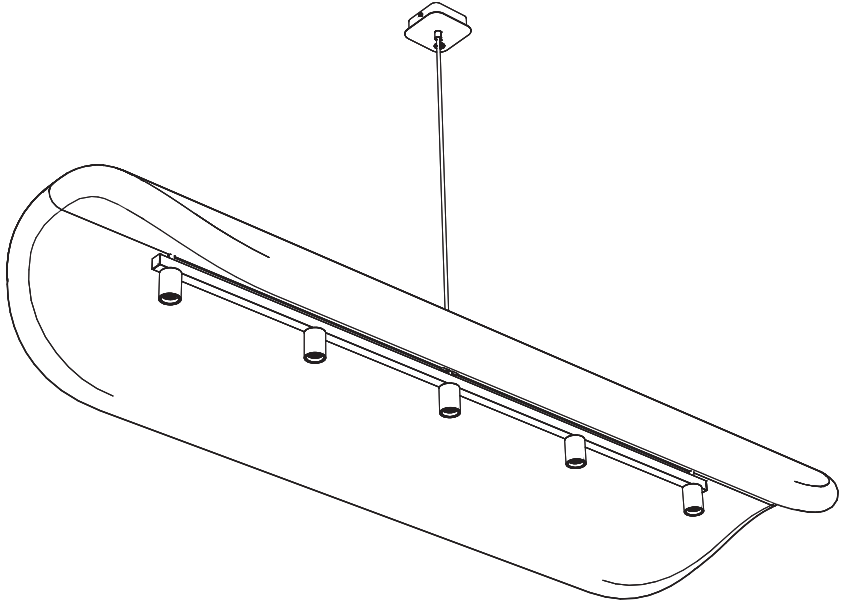


2x



M6

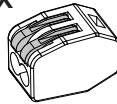
Included BuzziChip Large Retrofit



1x



3x



2x



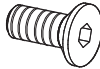
2x



2x



2x



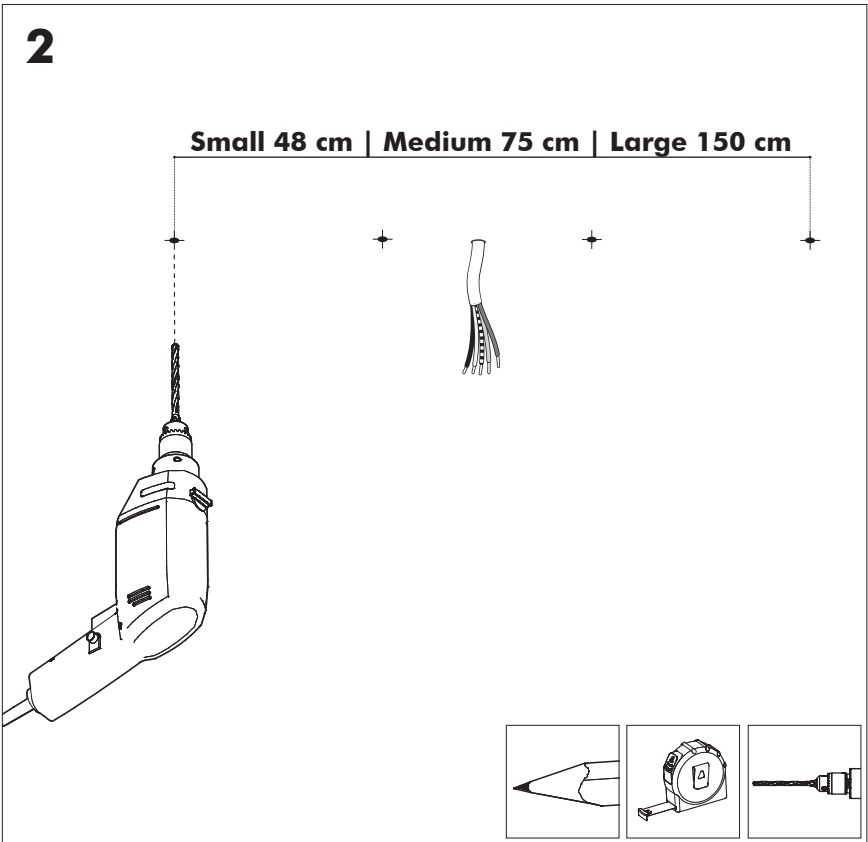
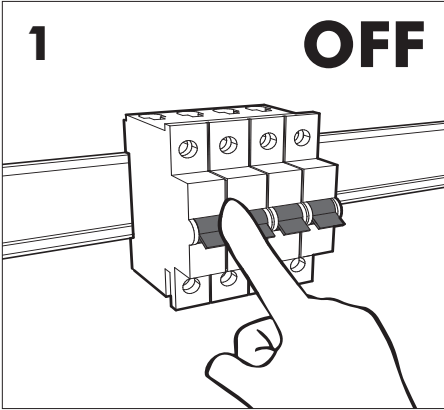
2x



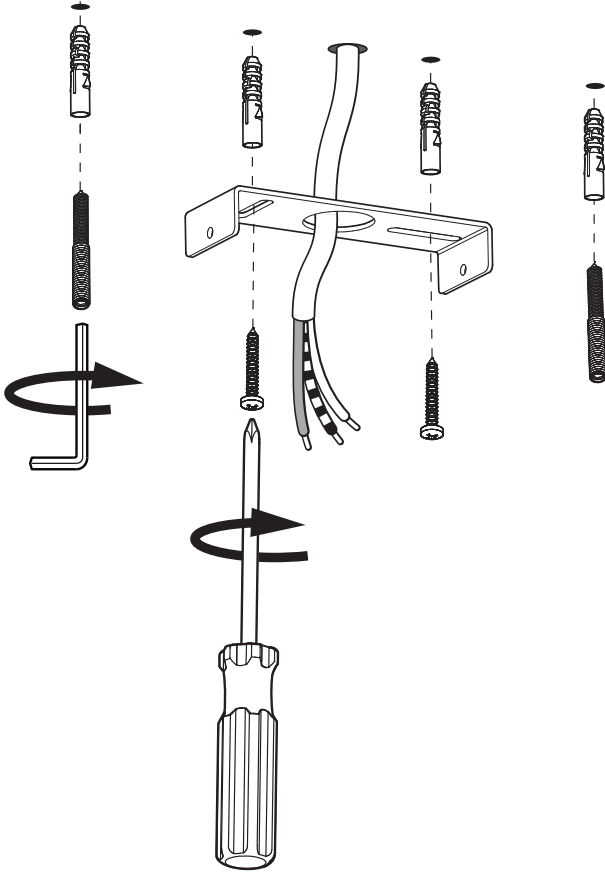
M6

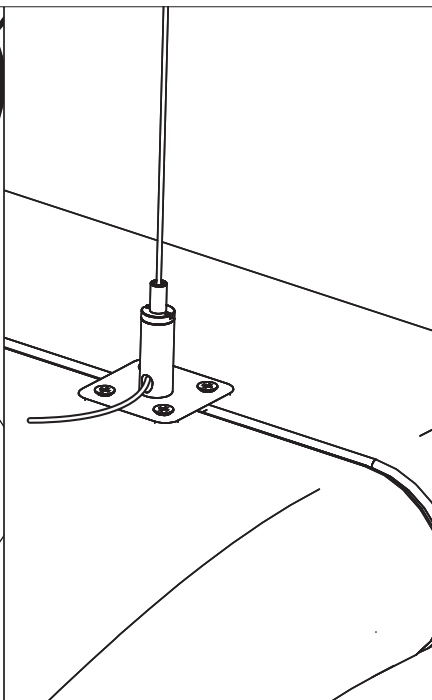
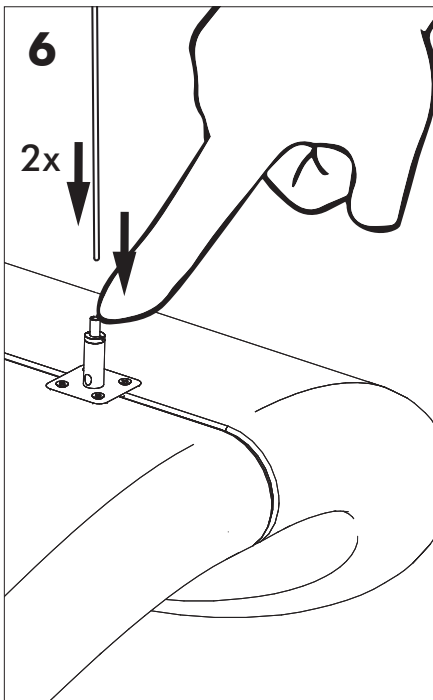
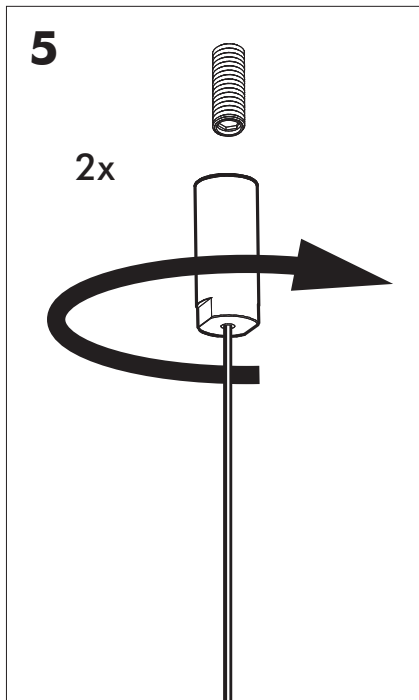
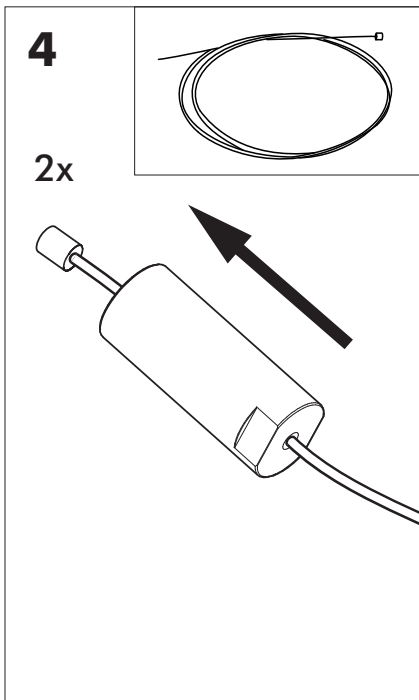
BuzziChip Small | Medium | Large

2 PERS. 

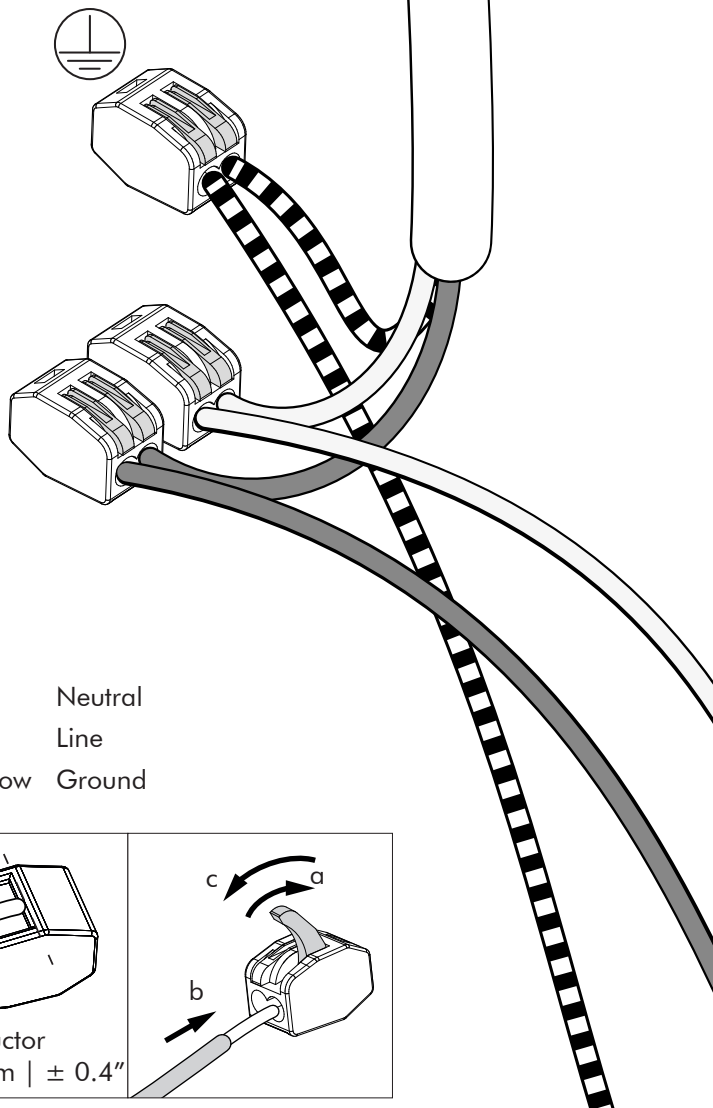


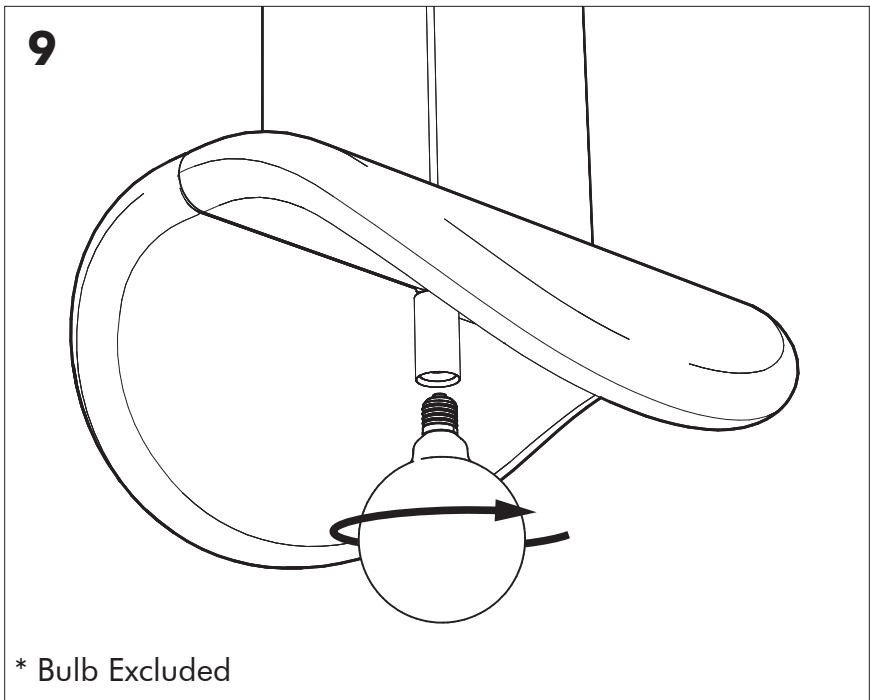
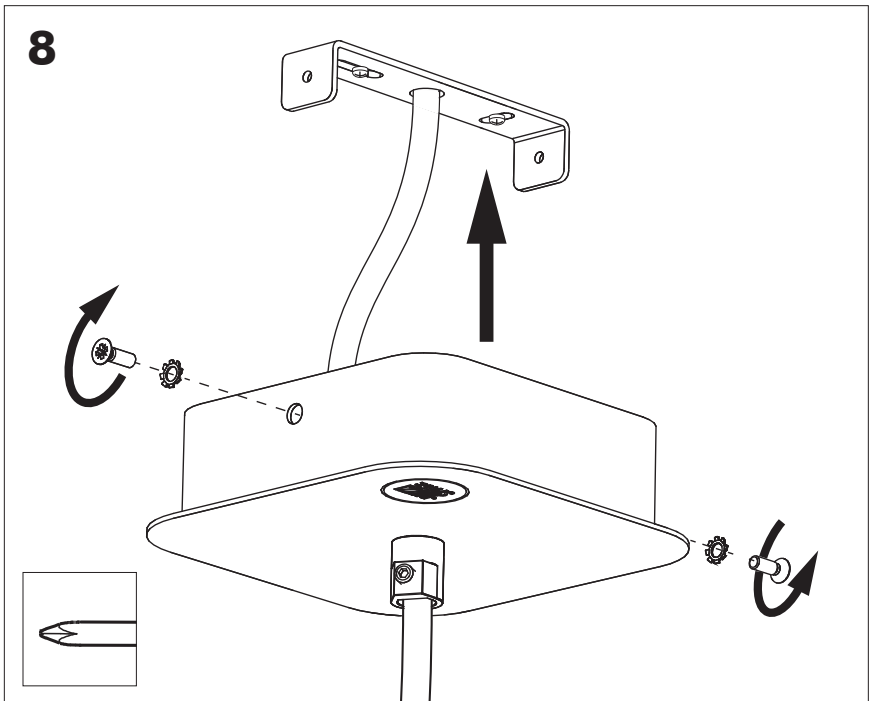
3



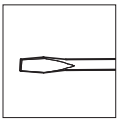
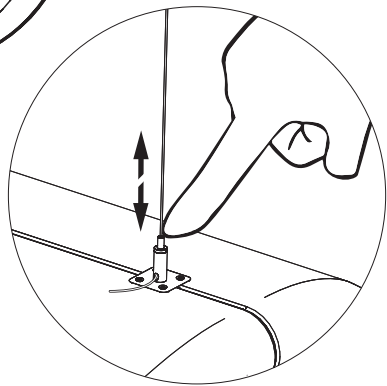
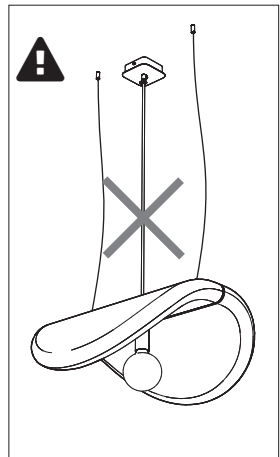
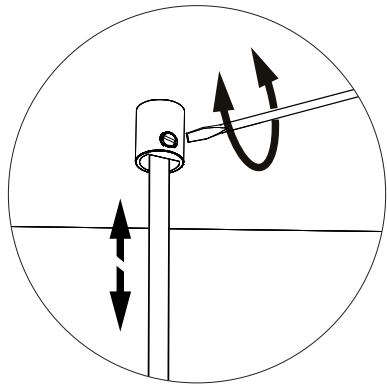
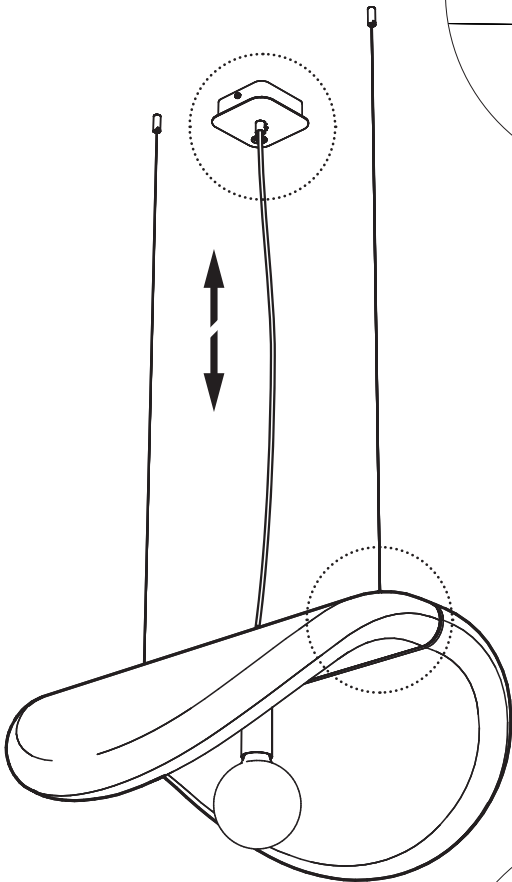


7





!



BuzziSpace Group NV
Italiëlei 8, 2000 Antwerp
Belgium

☎ +32 (0)3 846 10 00

✉ info@buzzi.space

🌐 www.buzzi.space



A-0000007939

Last update: 21/02/2024