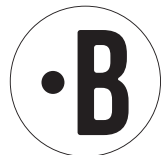
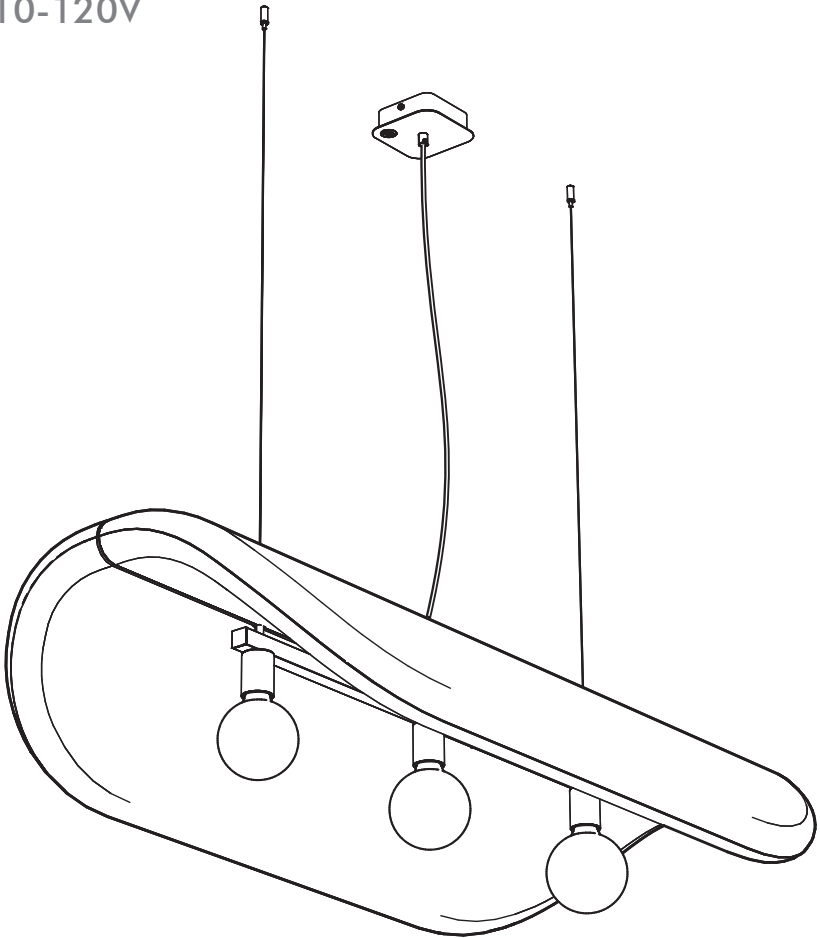


BuzziChip

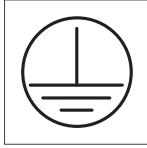
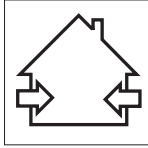
Small | Medium | Large

Retrofit

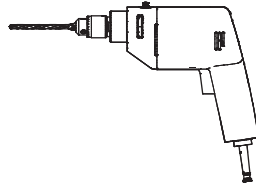
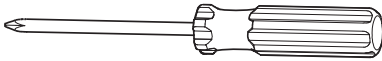
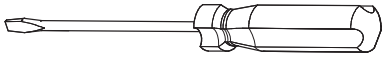
INSTALLATION MANUAL
110-120V



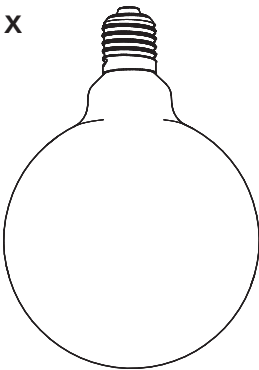
Technical info



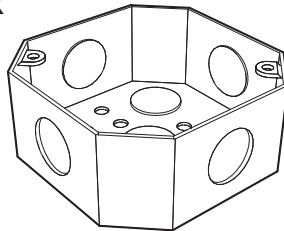
Excluded



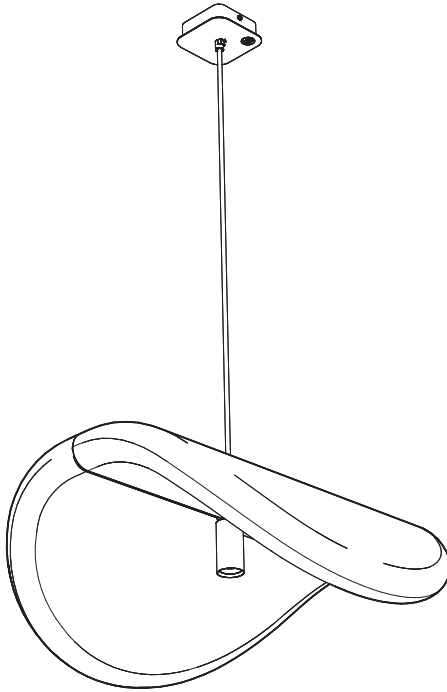
1x



1x



Included BuzziChip Small Retrofit



1x



2x



2x



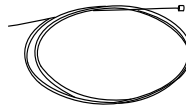
2x



2x



2x



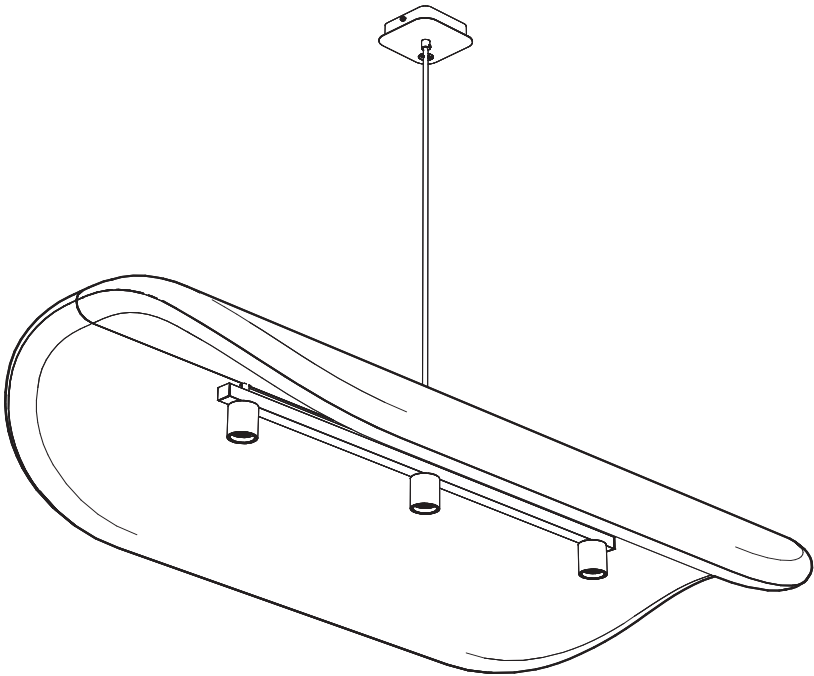
3x



2x



Included BuzziChip Large Retrofit



1x



2x



2x



2x



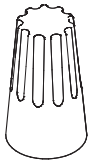
2x



2x



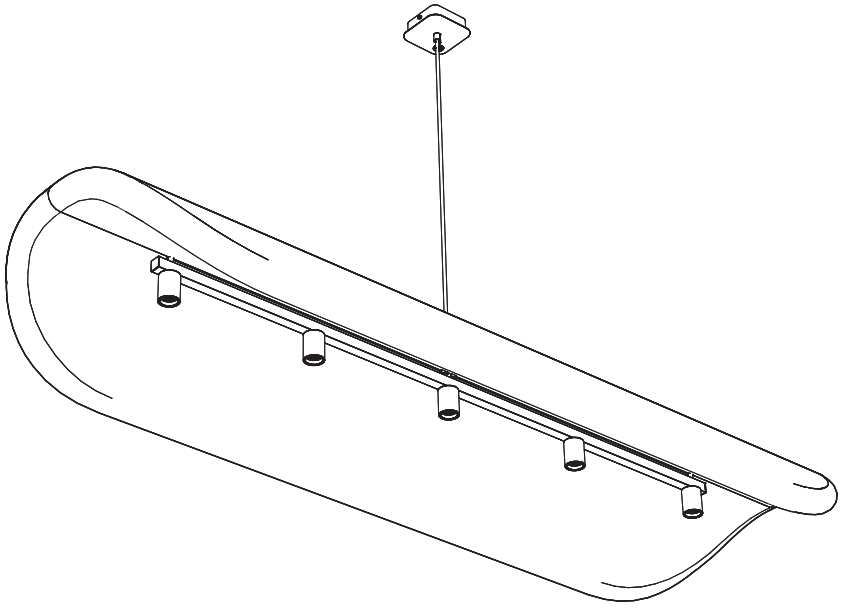
3x



2x



Included BuzziChip Large Retrofit



1x



2x



2x



2x



2x



2x



3x

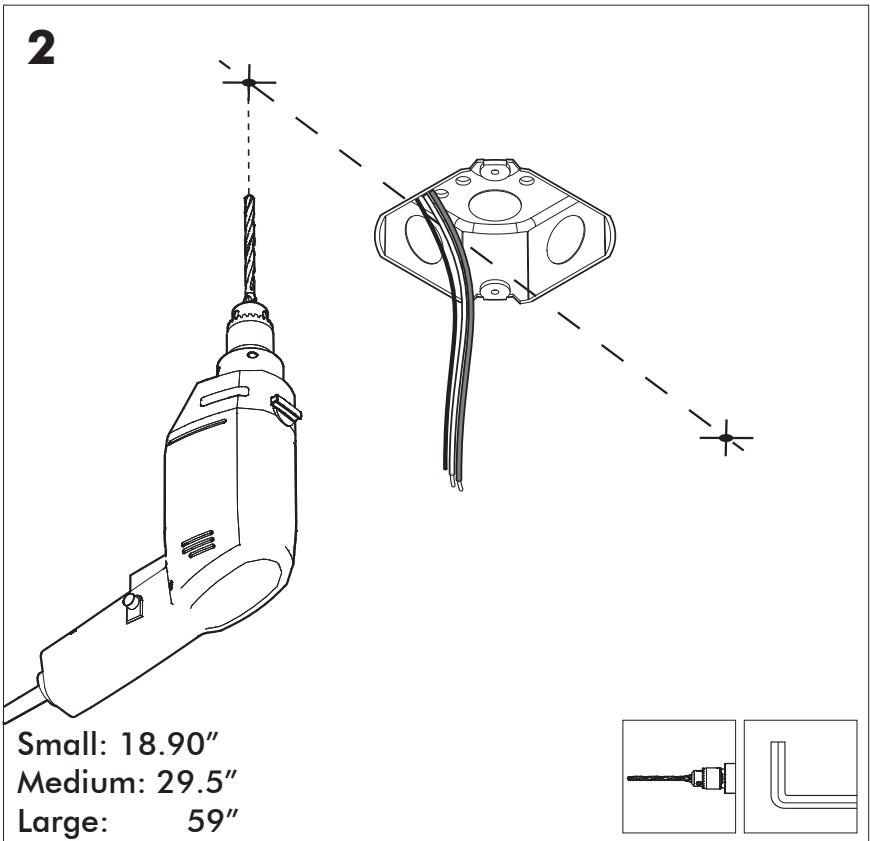
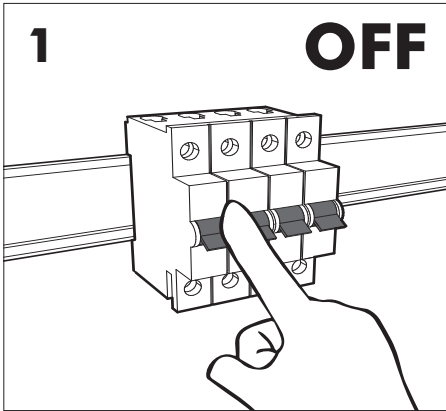


2x

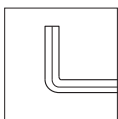
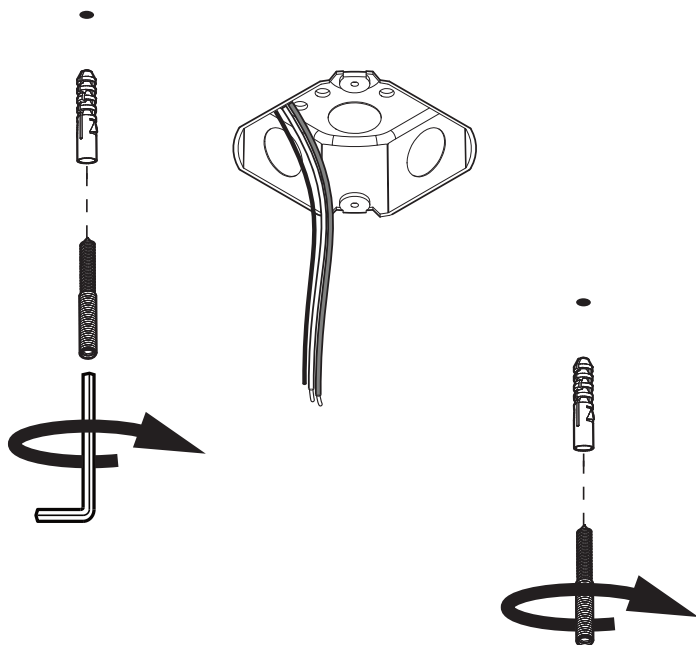


BuzziChip Small | Medium | Large Retrofit

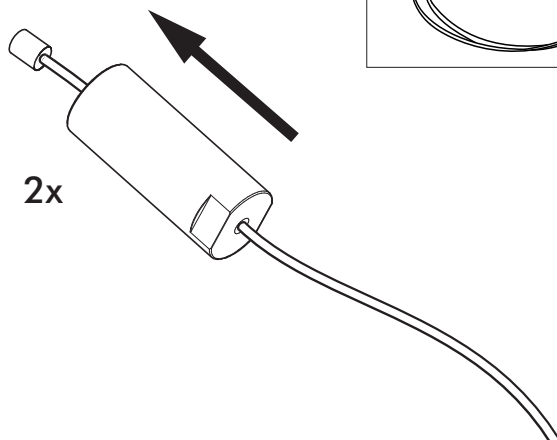
1 PERS. 



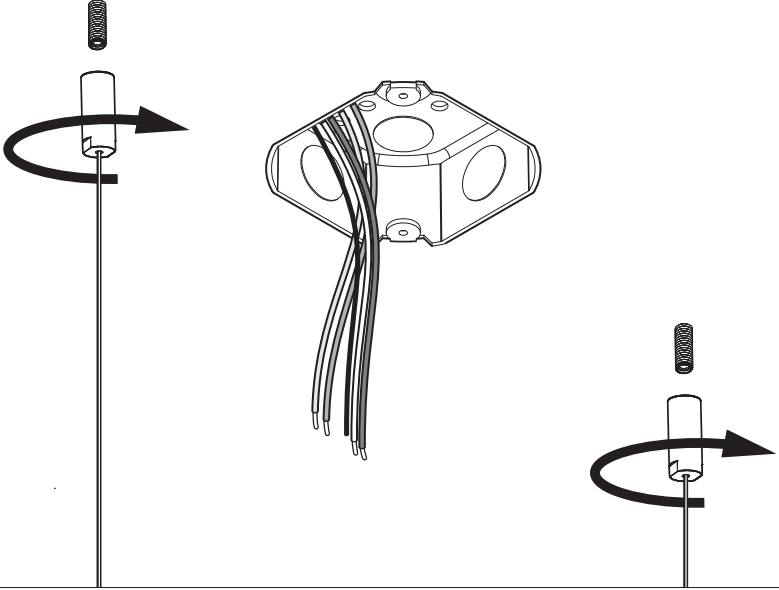
3



4

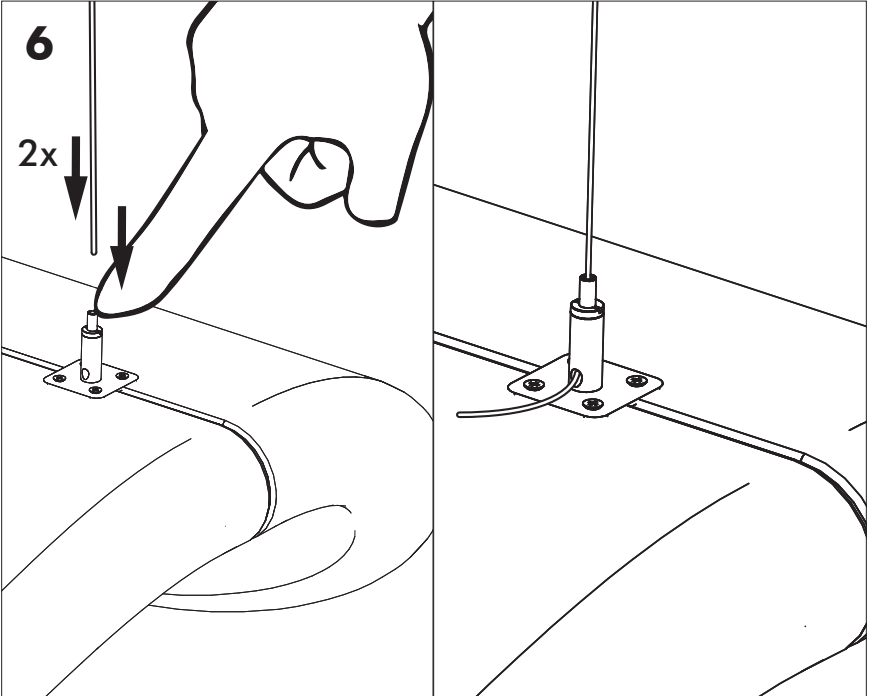


5

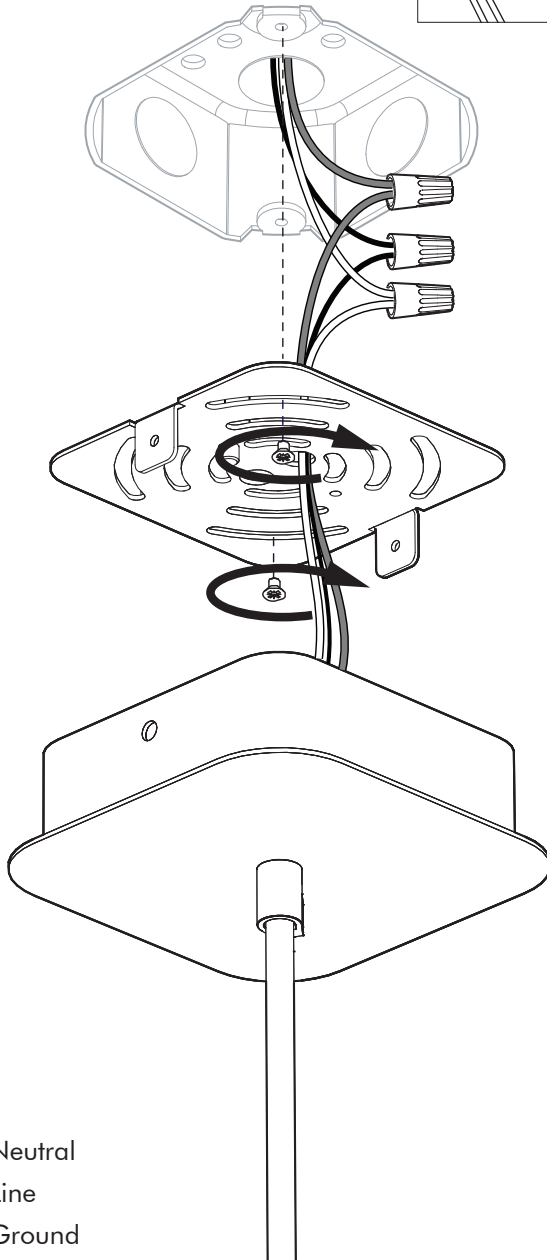
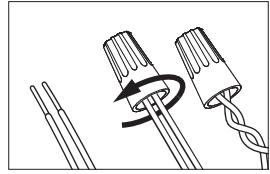


6

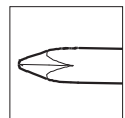
2x



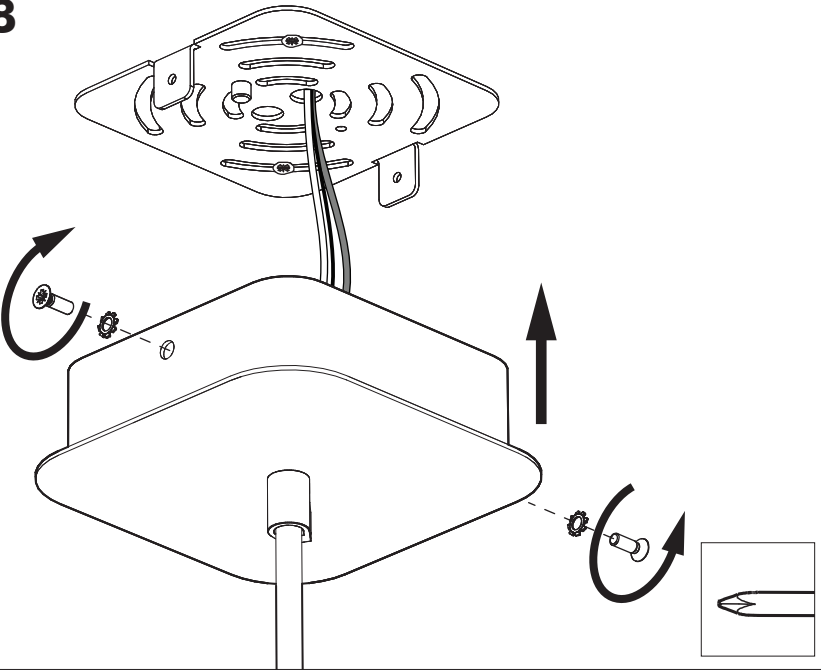
7



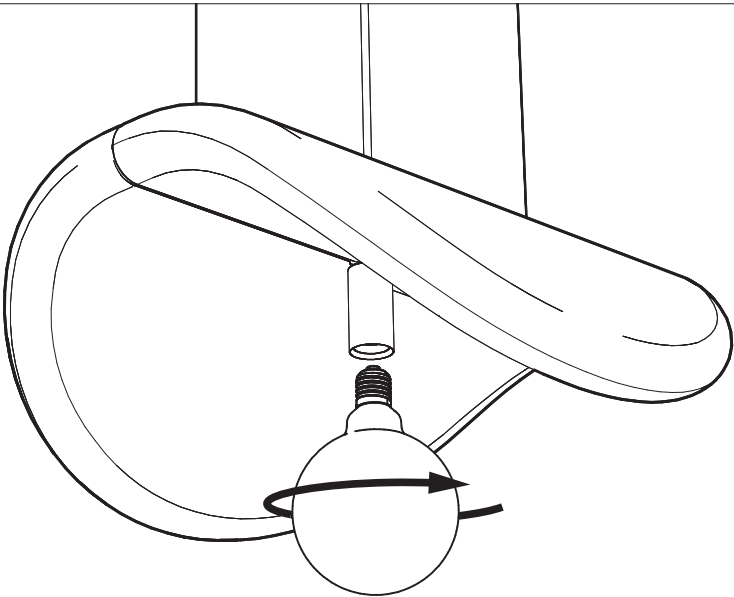
White Neutral
Black Line
Green Ground



8

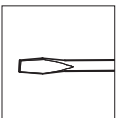
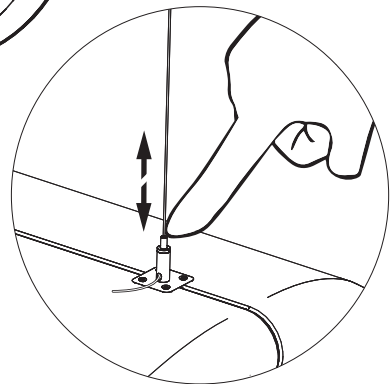
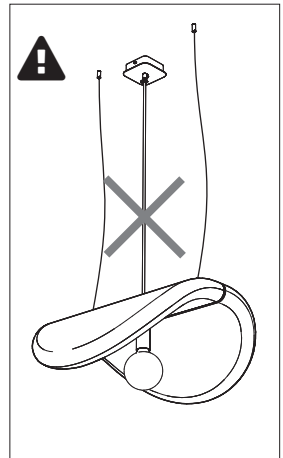
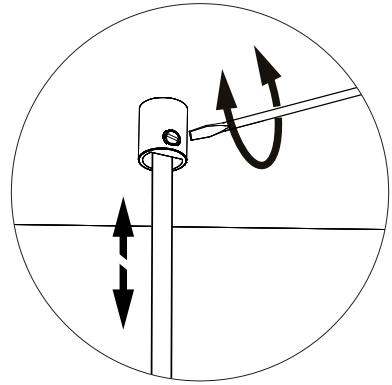
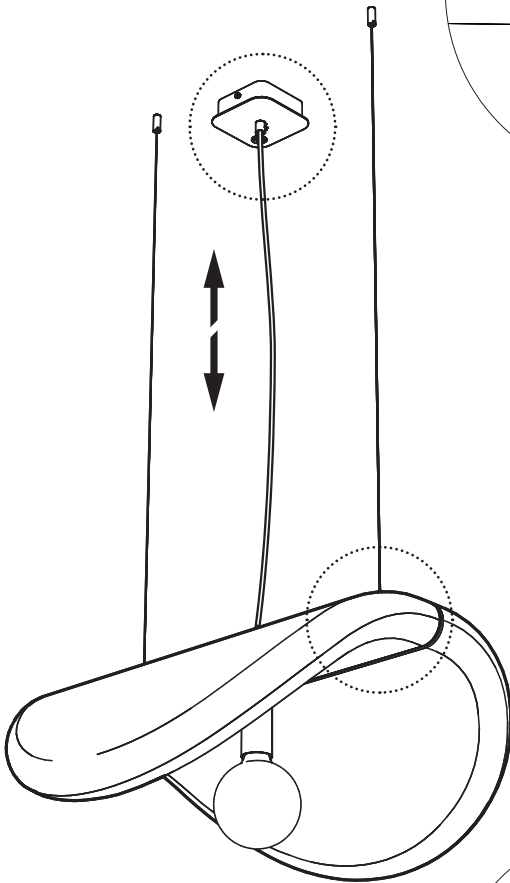


9



Bulb Excluded
Max. 100W

!

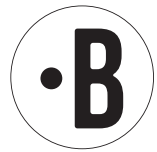


BuzziSpace Group NV
Italiëlei 8, 2000 Antwerp
Belgium

☎ +32 (0)3 846 10 00

✉ info@buzzi.space

🌐 www.buzzi.space



A-0000007940

Last update: 21/02/2024