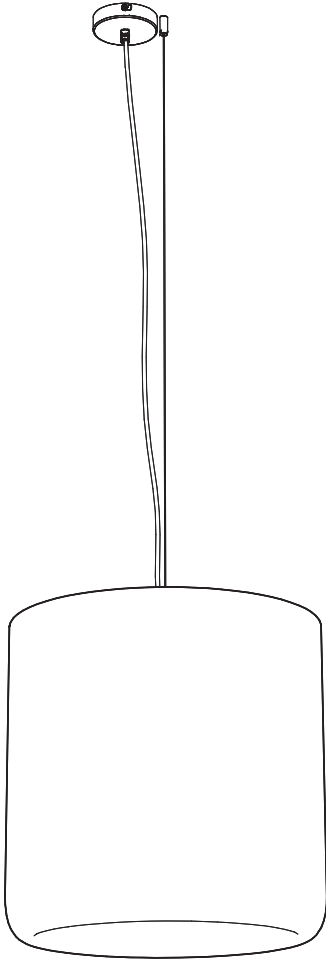
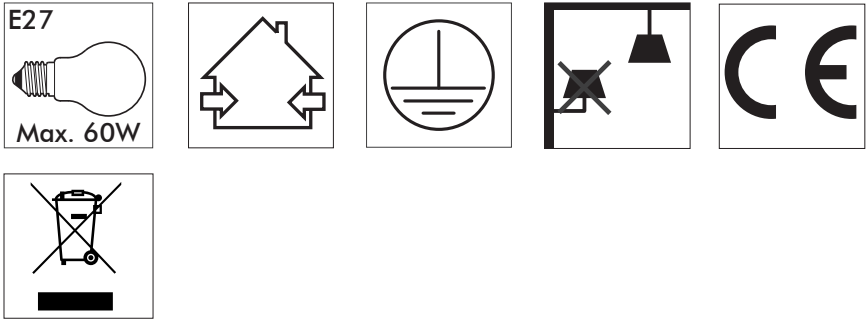


# BuzziProp Small | Beam Retrofit

INSTALLATION MANUAL  
220-240V



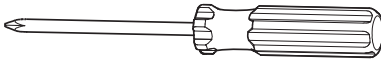
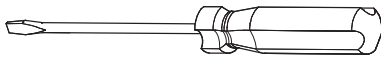
# Technical info



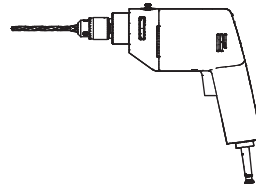
## Environmental Protection

Waste electrical products should not be disposed of with household waste. Please recycle where facilities exist. Check with your Local Authority or retailer for recycling advice.

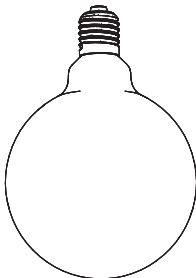
## Excluded

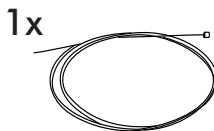
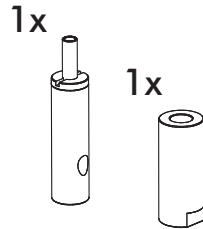
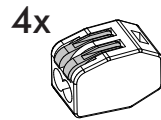
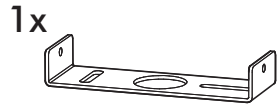
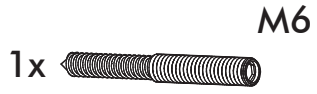
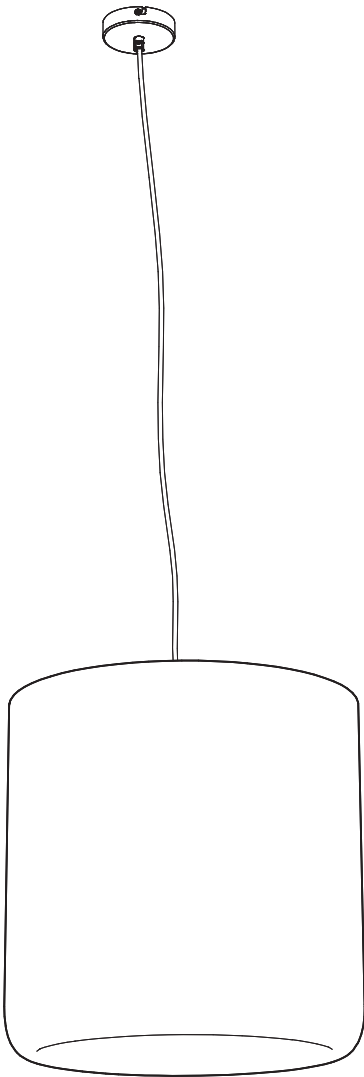


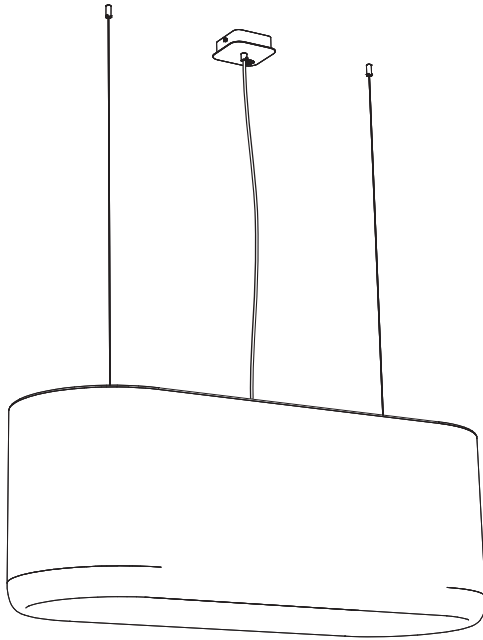
Small 3x  
Beam 4x



2x 







1x



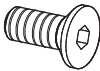
2x



2x



2x



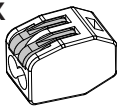
2x



2x



3x

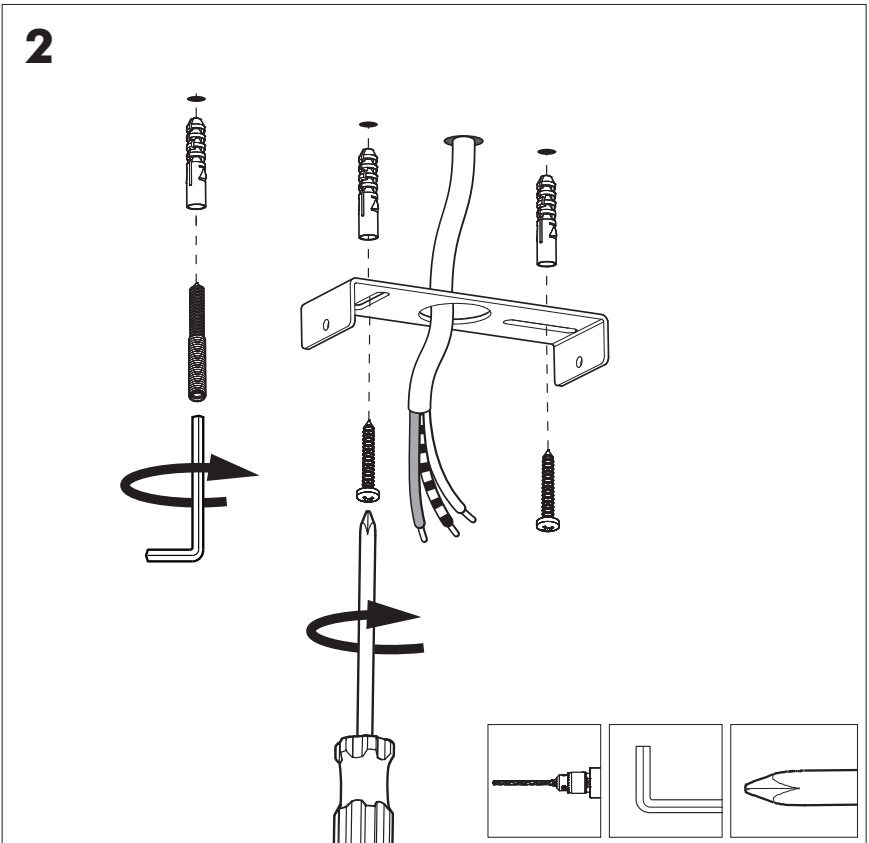
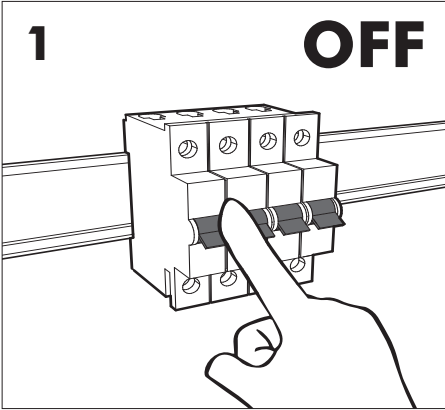


2x

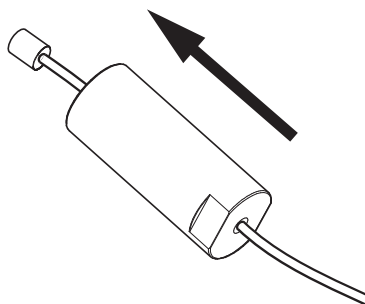
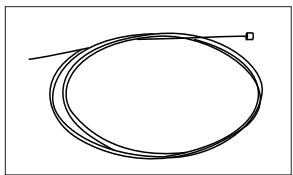


# BuzziProp Small Retrofit

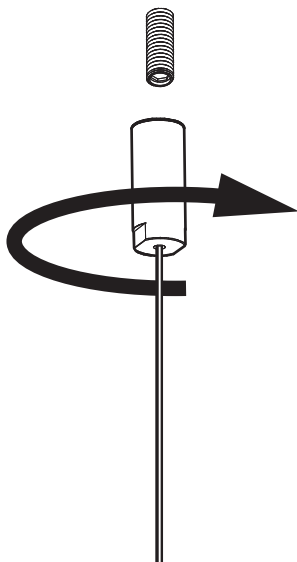
1 PERS. 



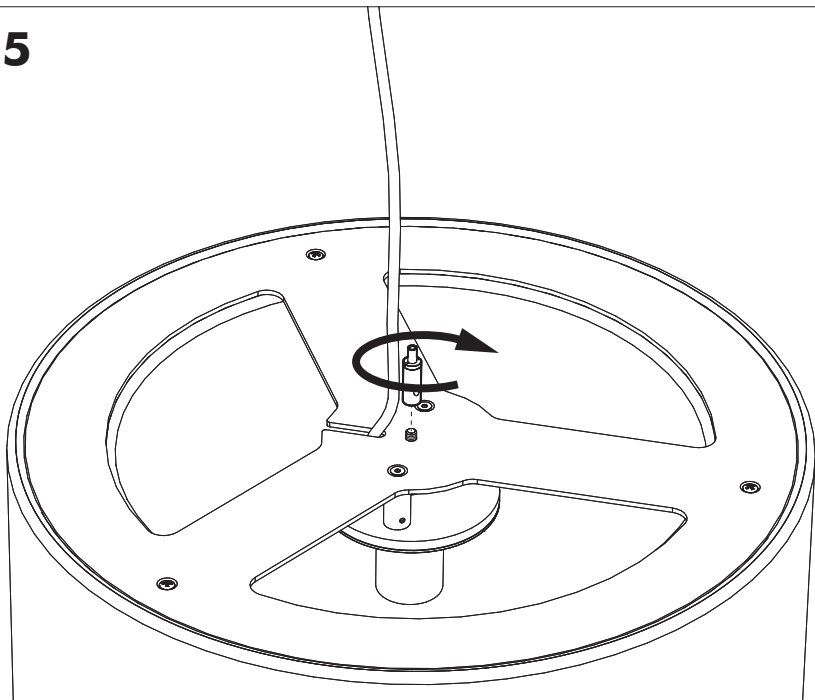
**3**



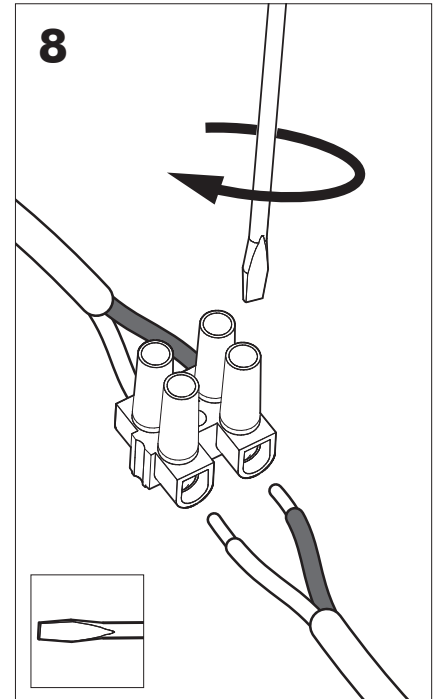
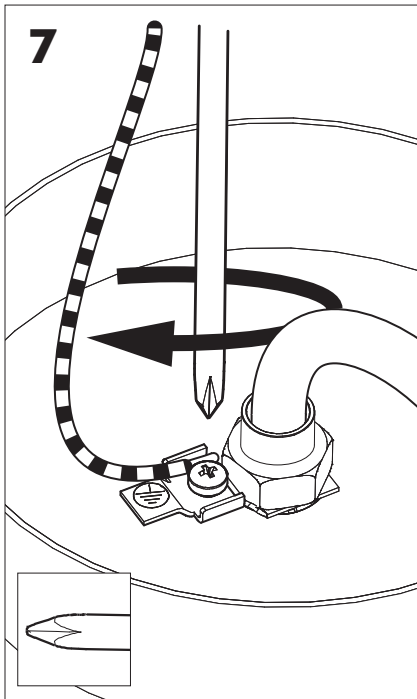
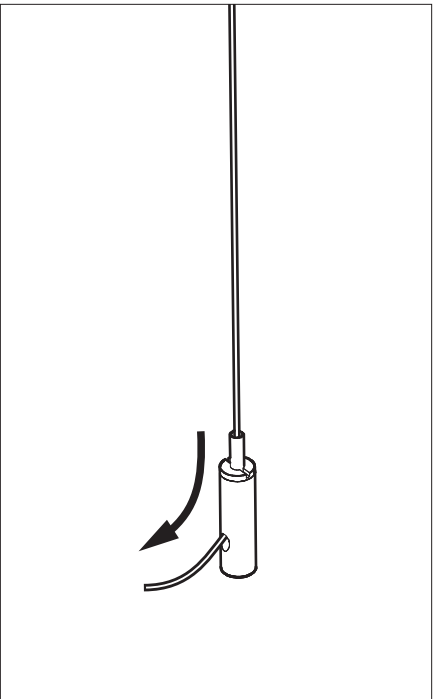
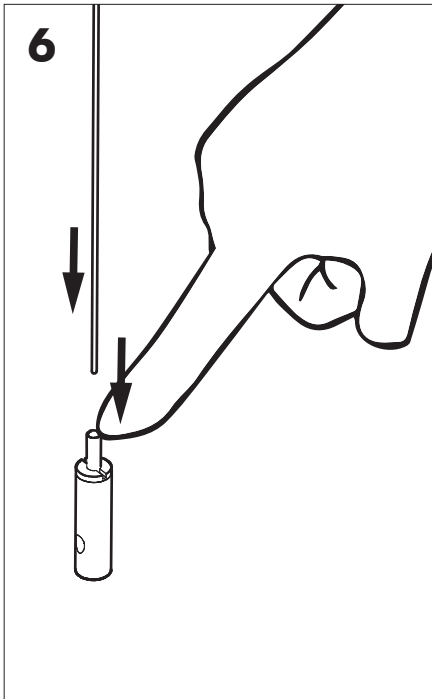
**4**



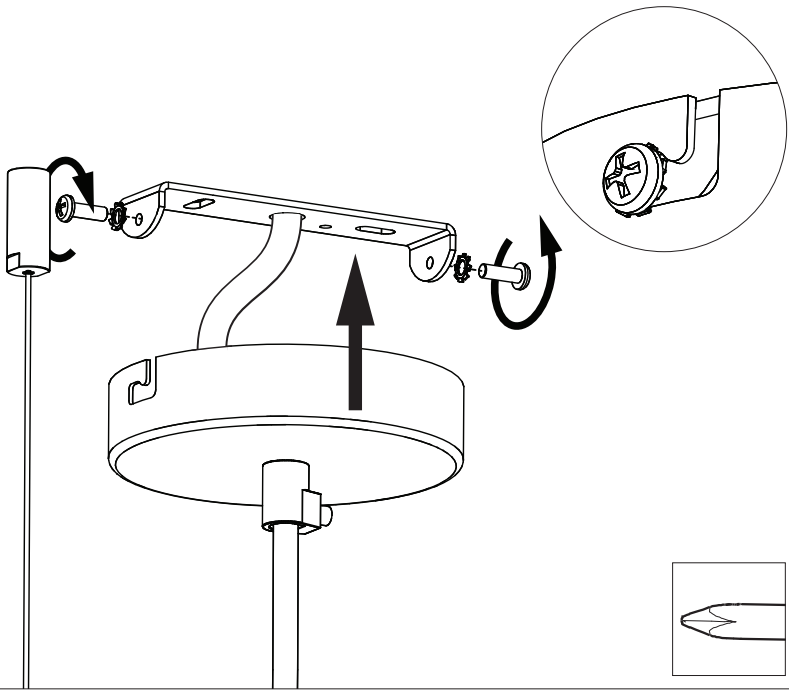
**5**



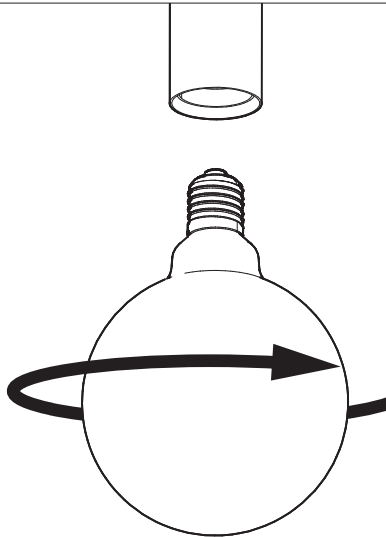
**6**



9

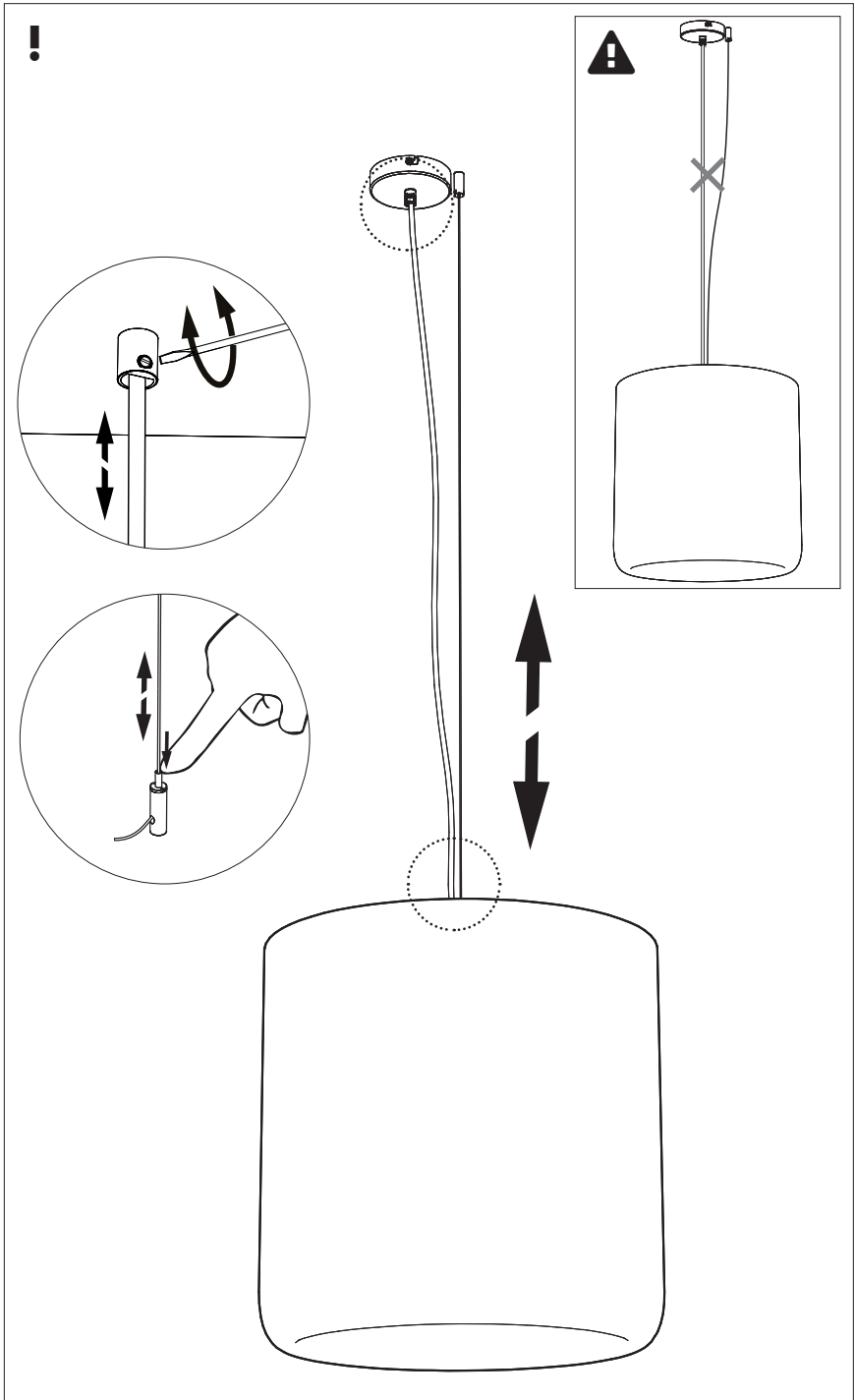


10



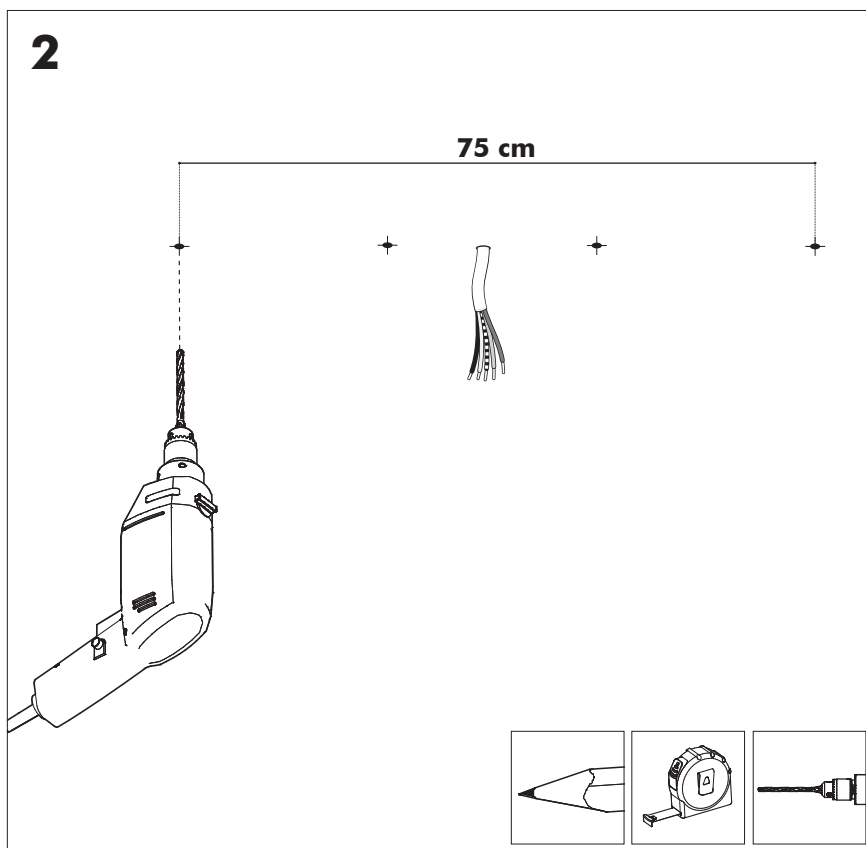
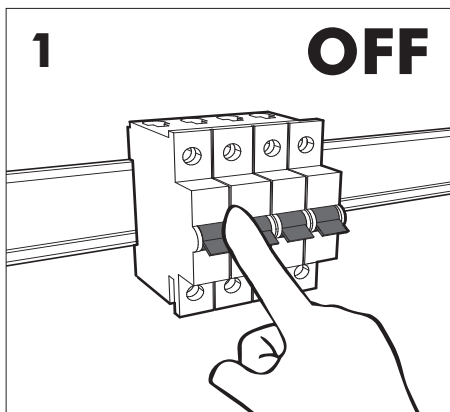
Bulb Excluded  
Max. 60W



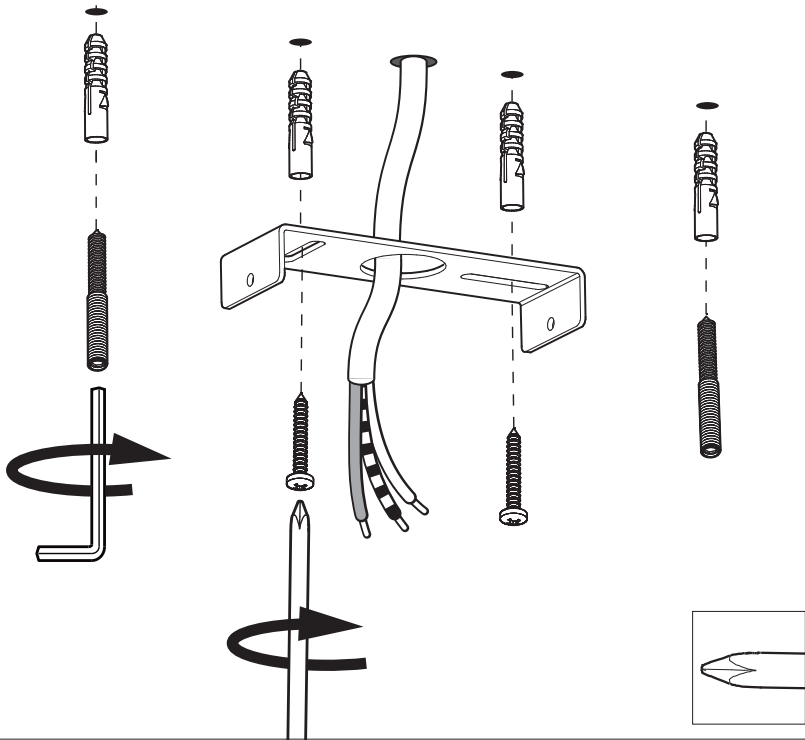


# BuzziProp Beam Retrofit

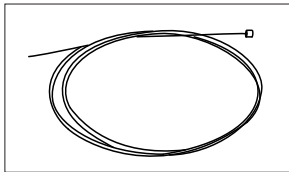
1 PERS. 



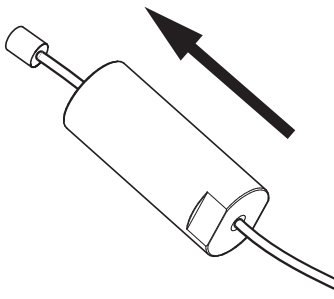
**3**



**4**

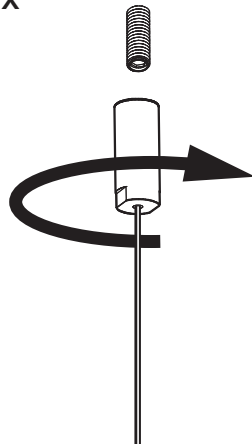


**2x**

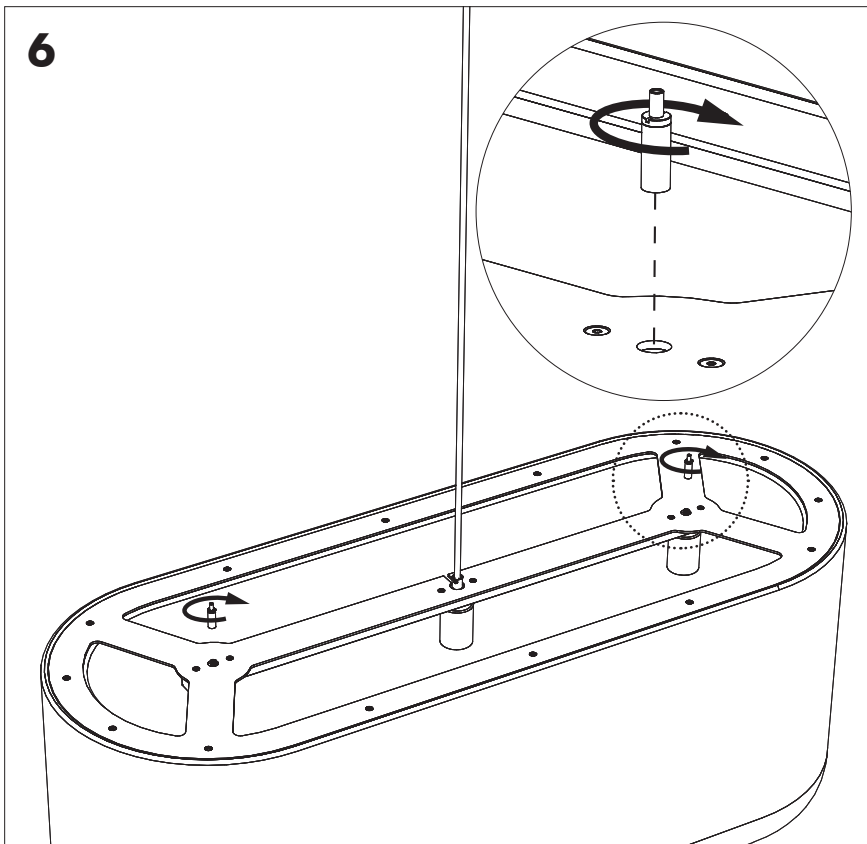


**5**

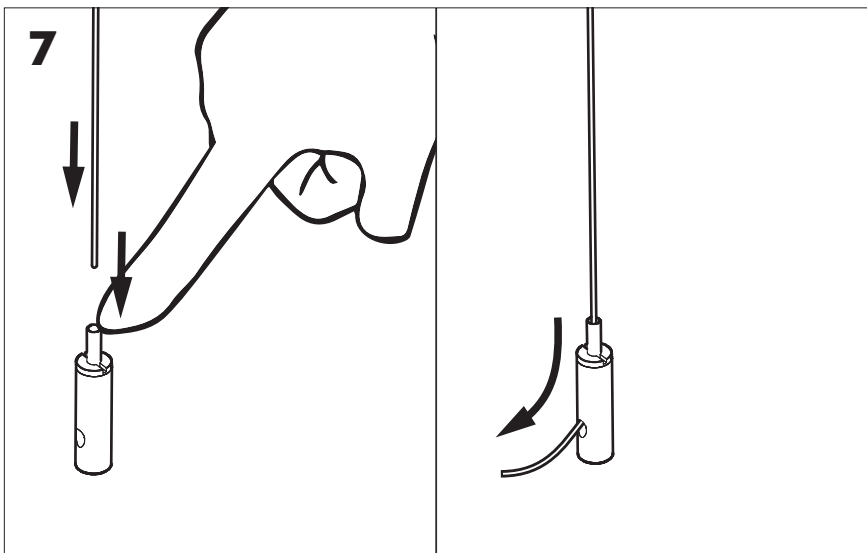
**2x**



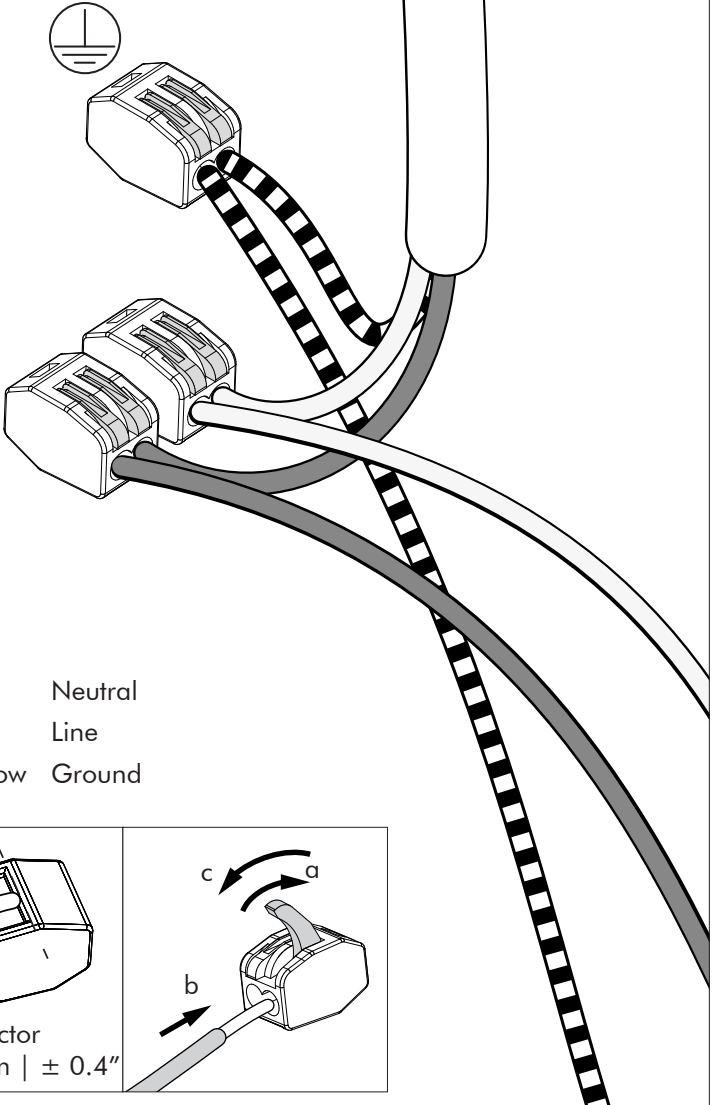
6



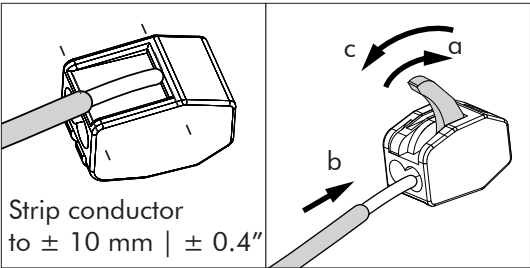
7



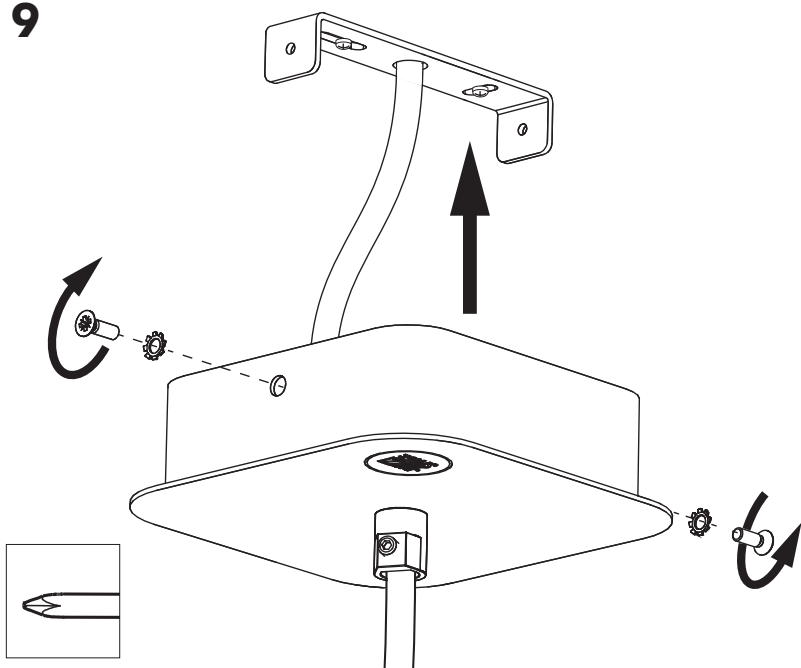
8



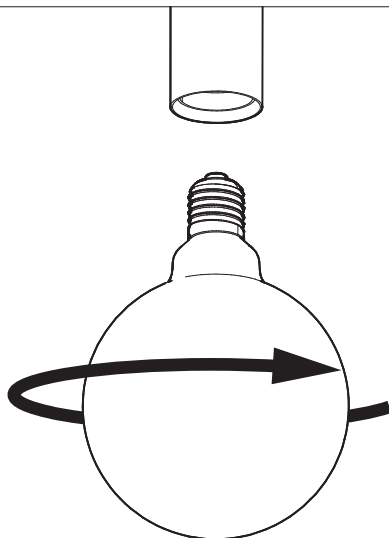
|              |         |
|--------------|---------|
| Blue         | Neutral |
| Brown        | Line    |
| Green/Yellow | Ground  |



9

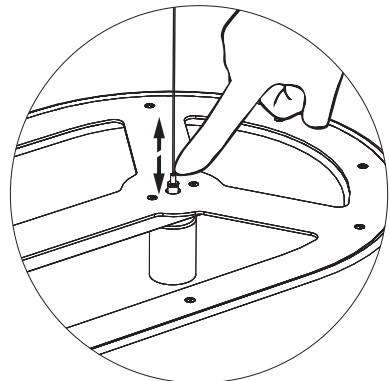
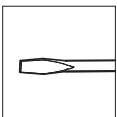
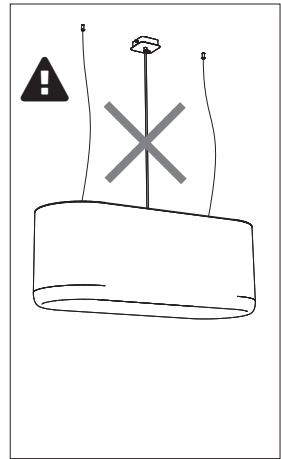
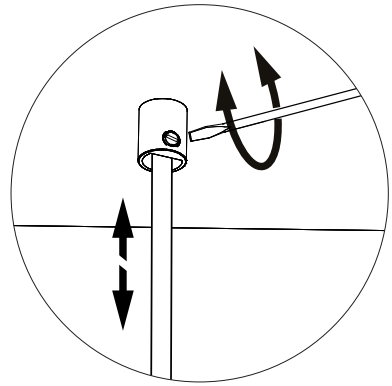
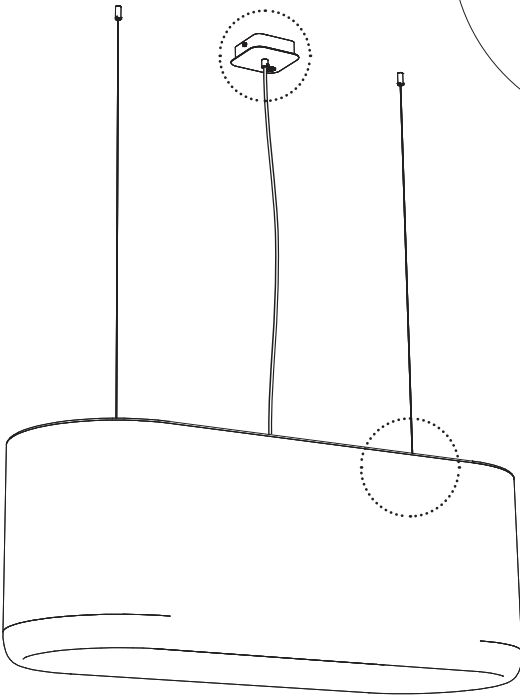


10



Bulb Excluded  
Max. 60W

!



BuzziSpace Group NV  
Italiëlei 8, 2000 Antwerp  
Belgium

☎ +32 (0)3 846 10 00

✉ [info@buzzi.space](mailto:info@buzzi.space)

🌐 [www.buzzi.space](http://www.buzzi.space)



A-0000007482/02  
Last update: 22/02/2024