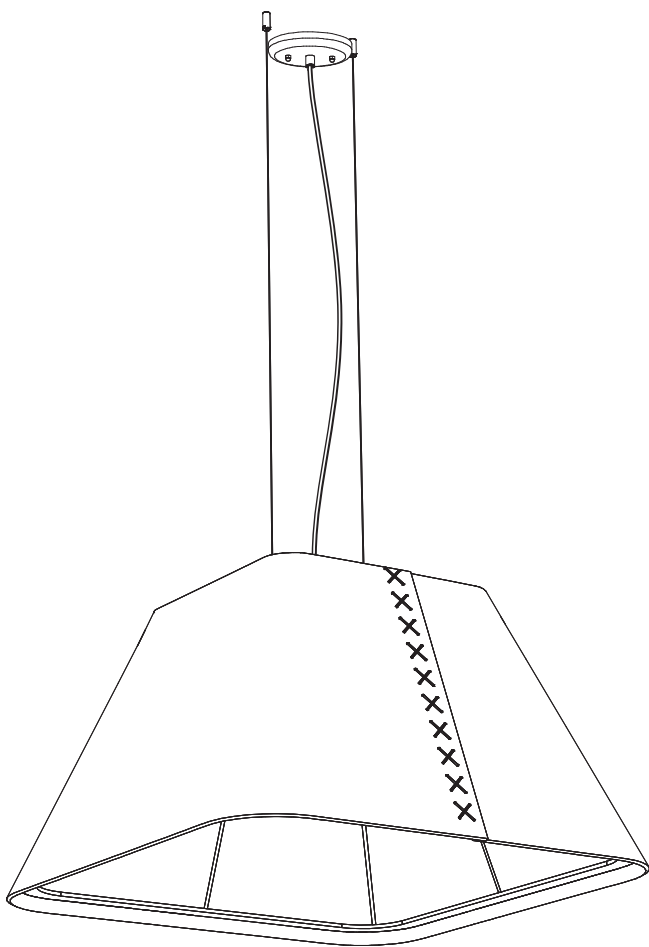


BuzziShade Square Medium | Beam Retrofit

INSTALLATION MANUAL

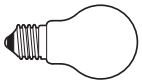
MODE DE L'EMPLOI

110-120V

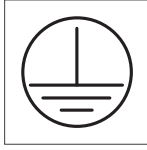
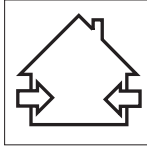


Technical info

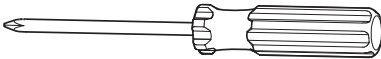
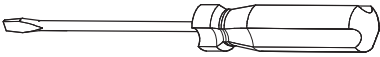
E26



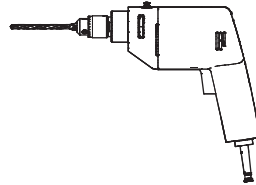
Max. 100W



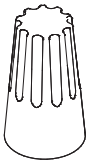
Excluded



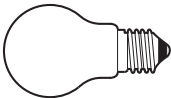
Small 3x
Beam 4x



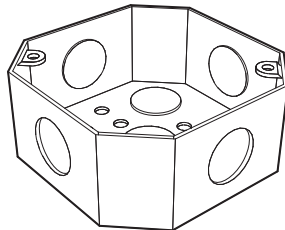
2x

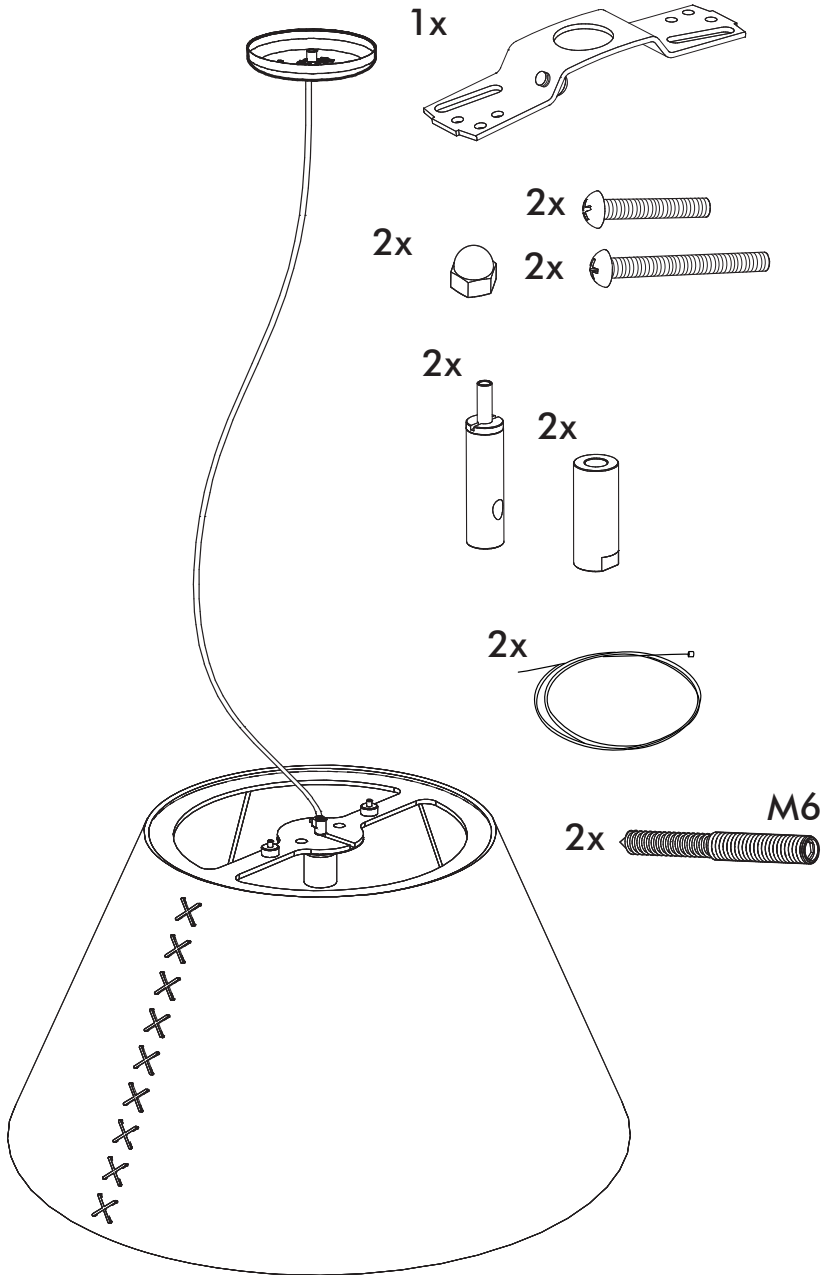


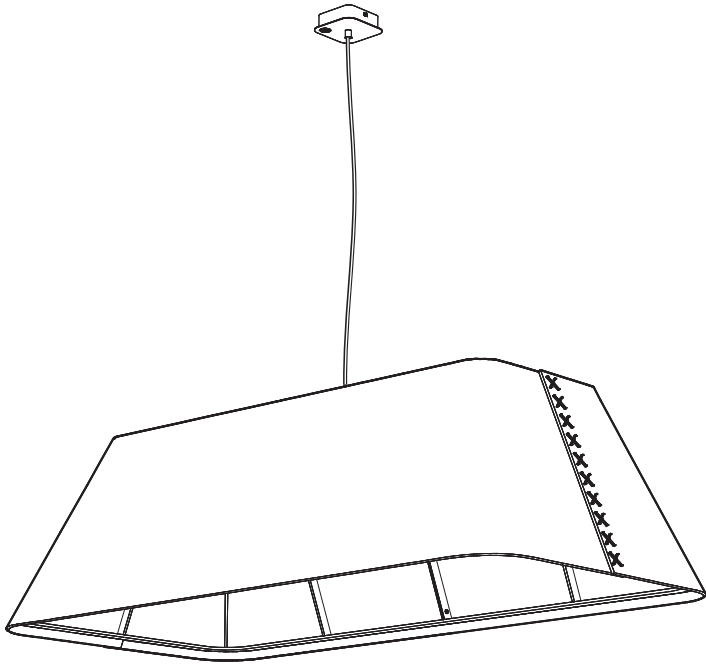
1x



1x







1x



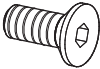
2x



2x



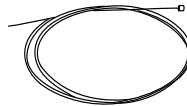
2x



2x



2x



3x

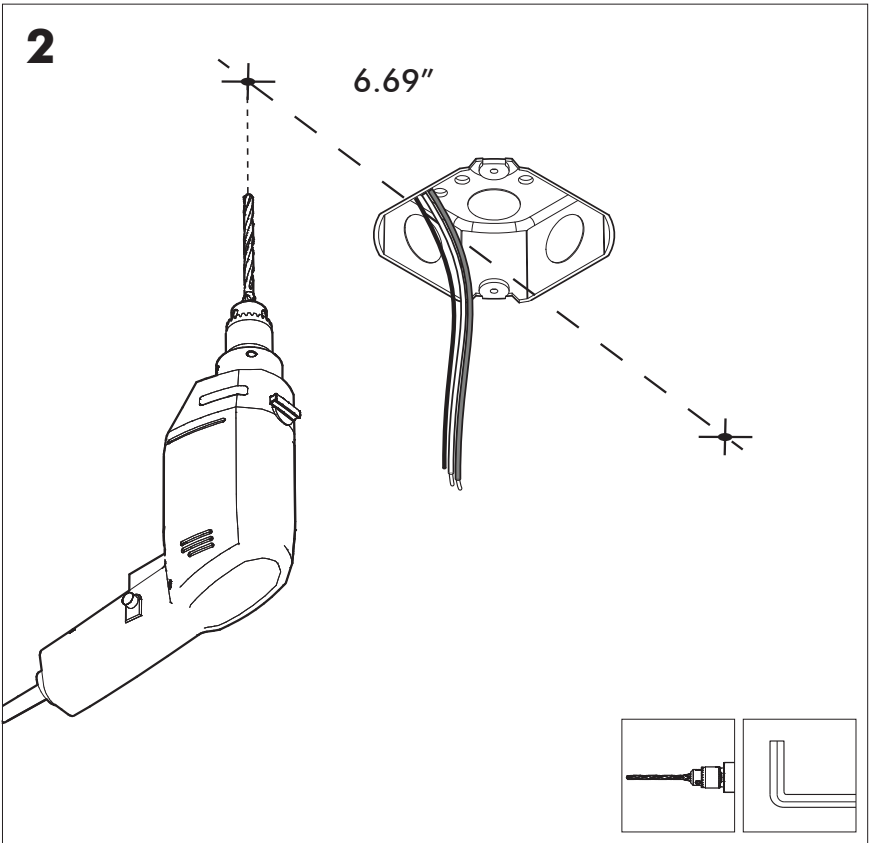
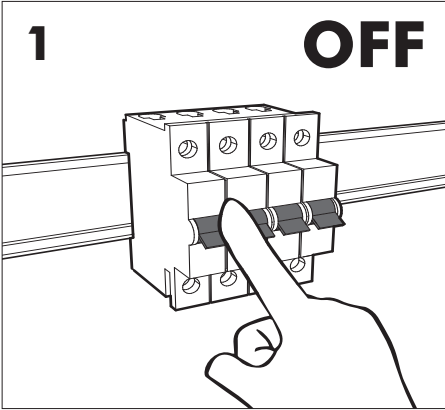


2x

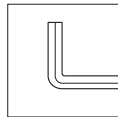
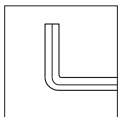
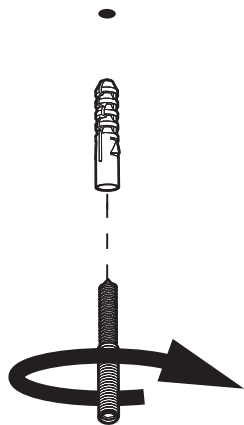
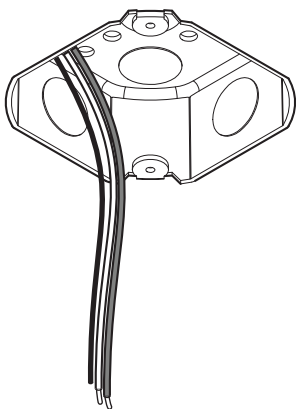
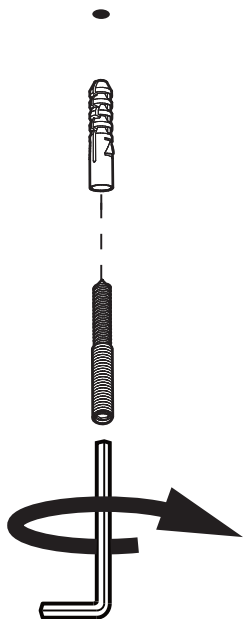


BuzziShade Square Medium Retrofit

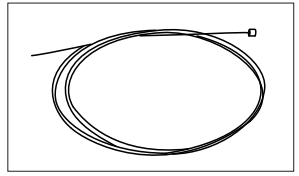
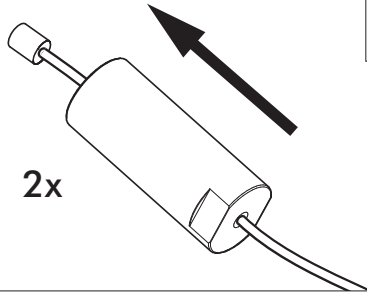
1 PERS. 



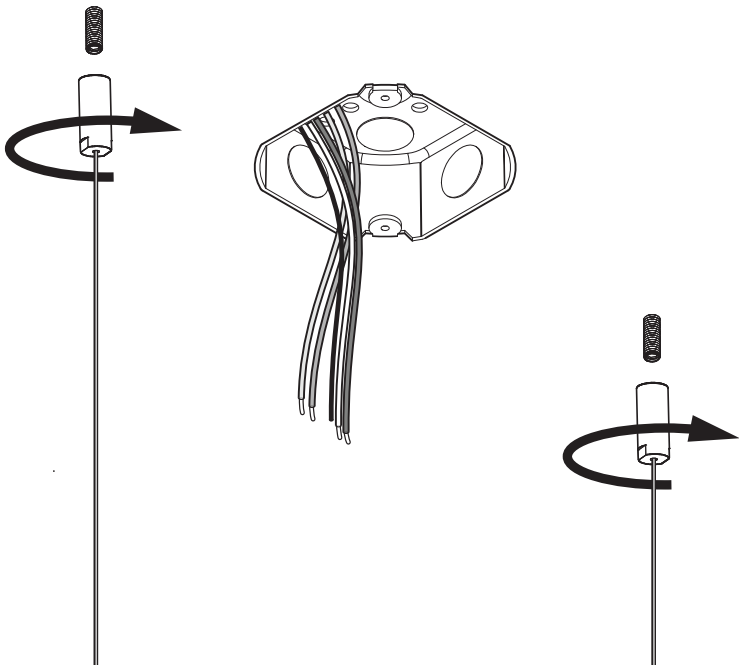
3



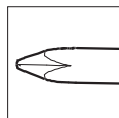
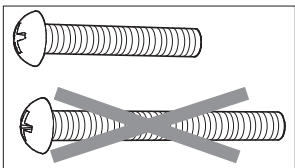
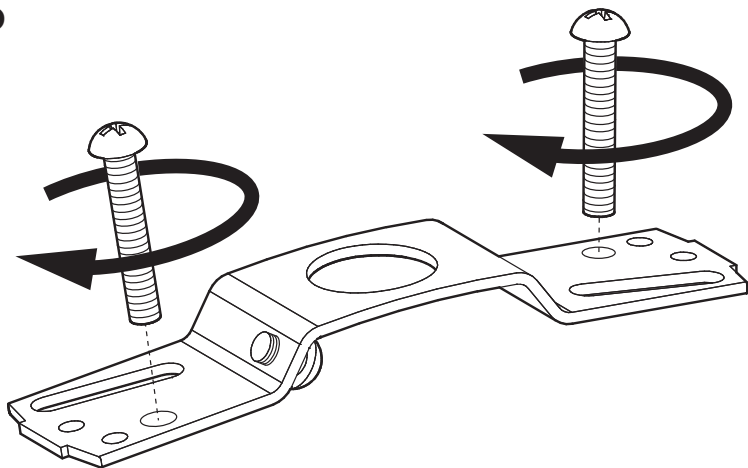
4



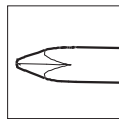
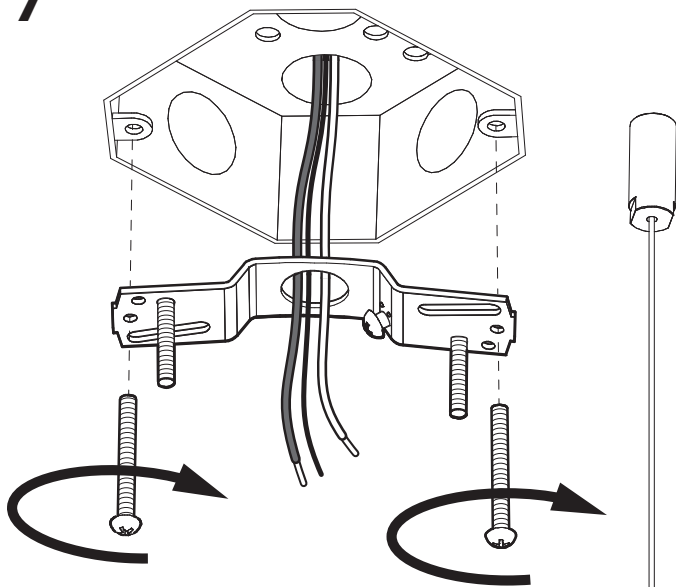
5



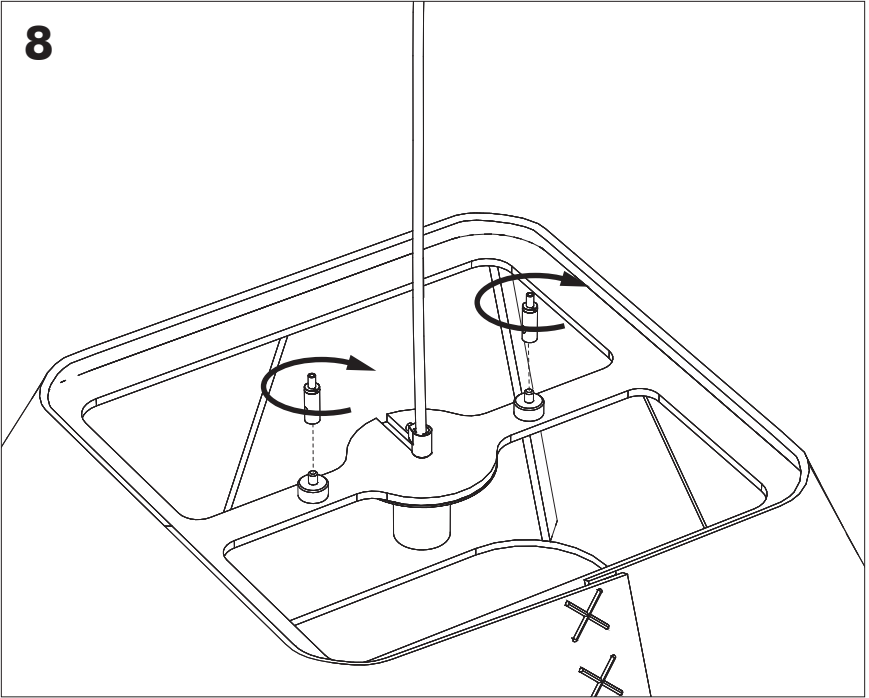
6



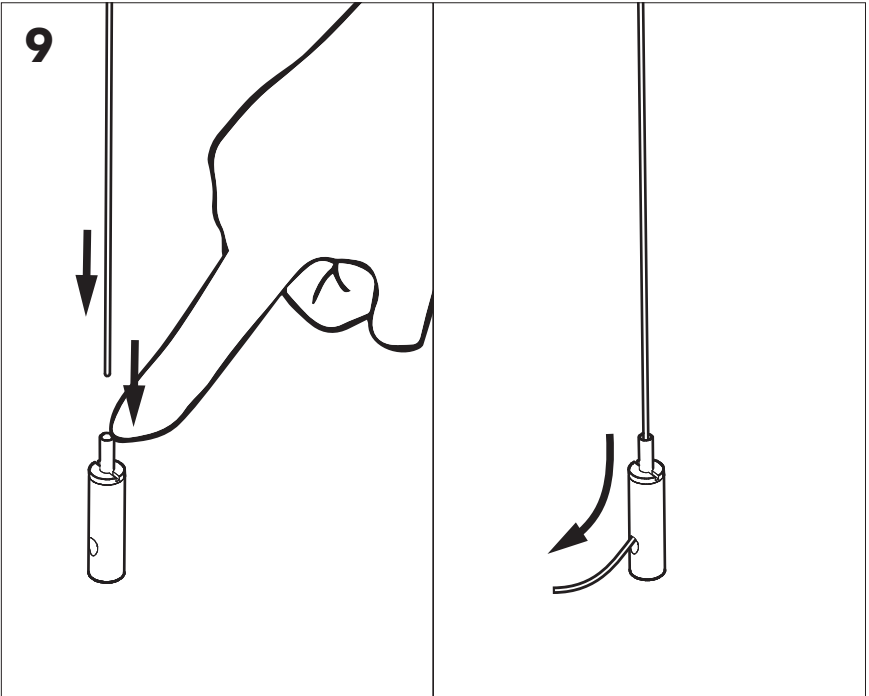
7



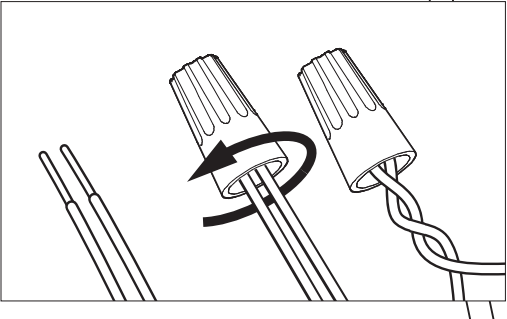
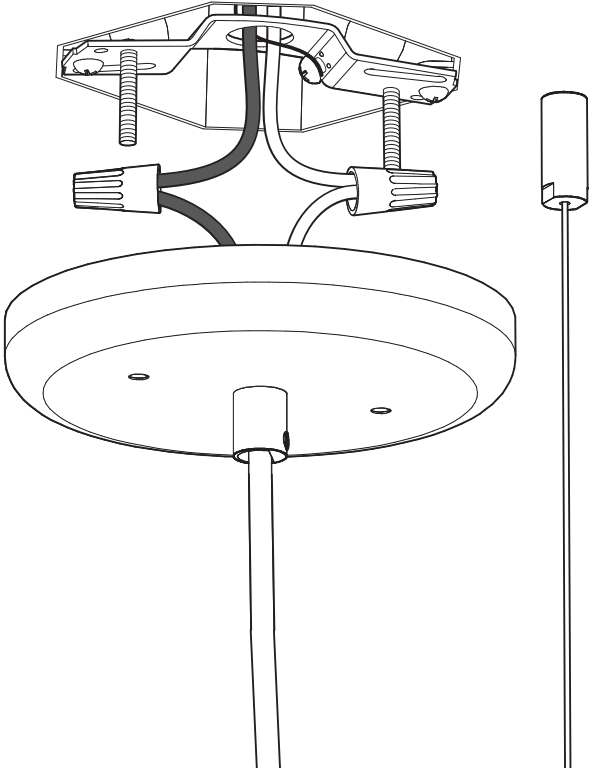
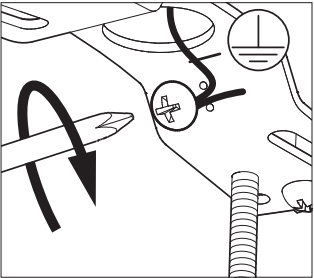
8



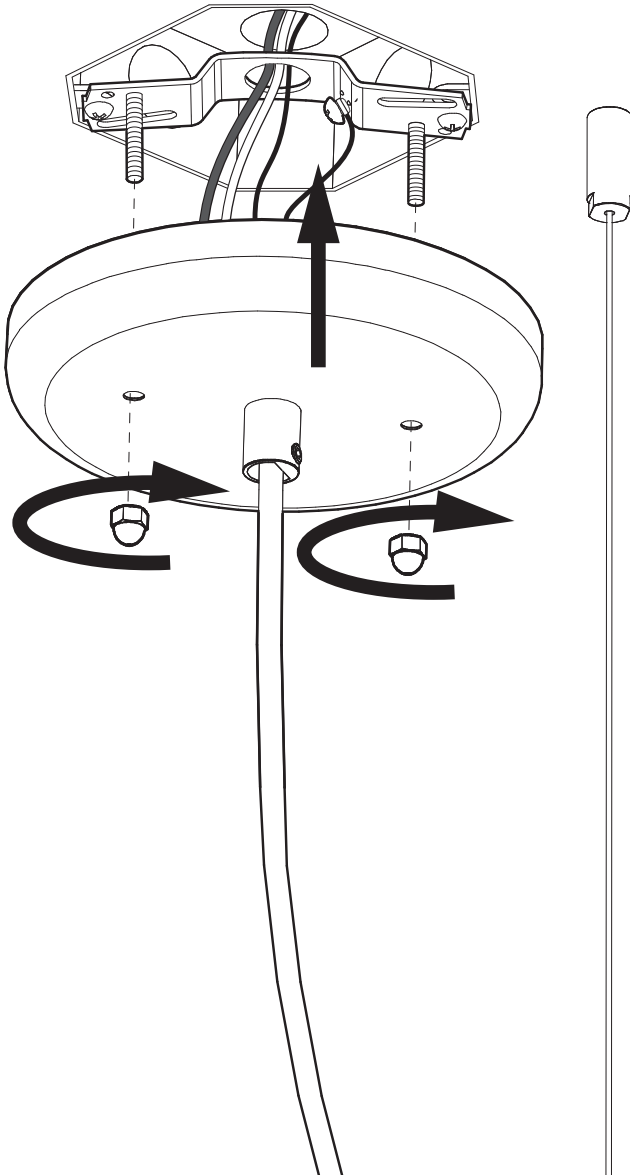
9

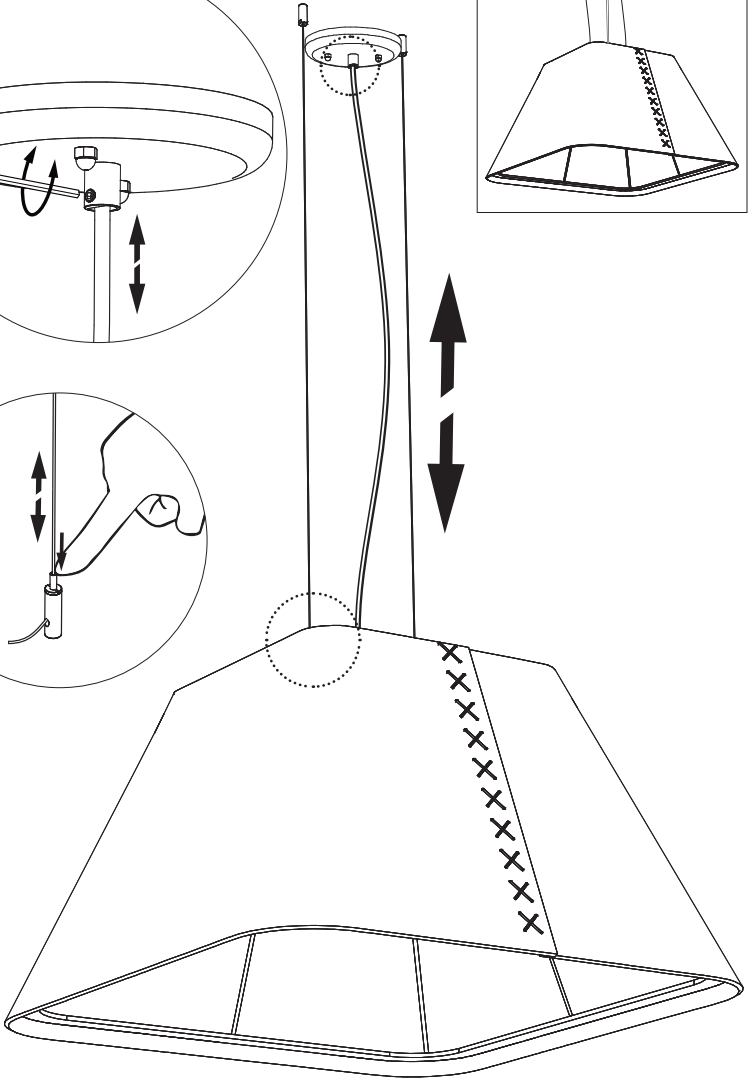
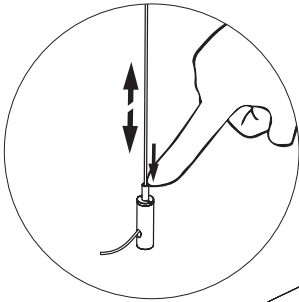
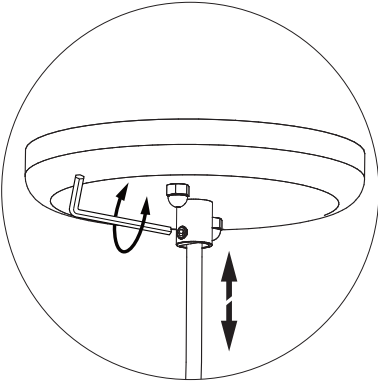
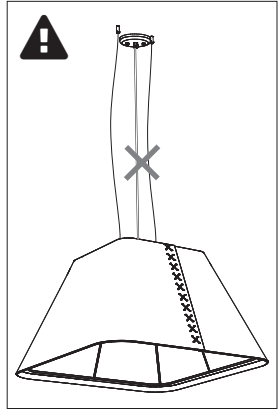


10



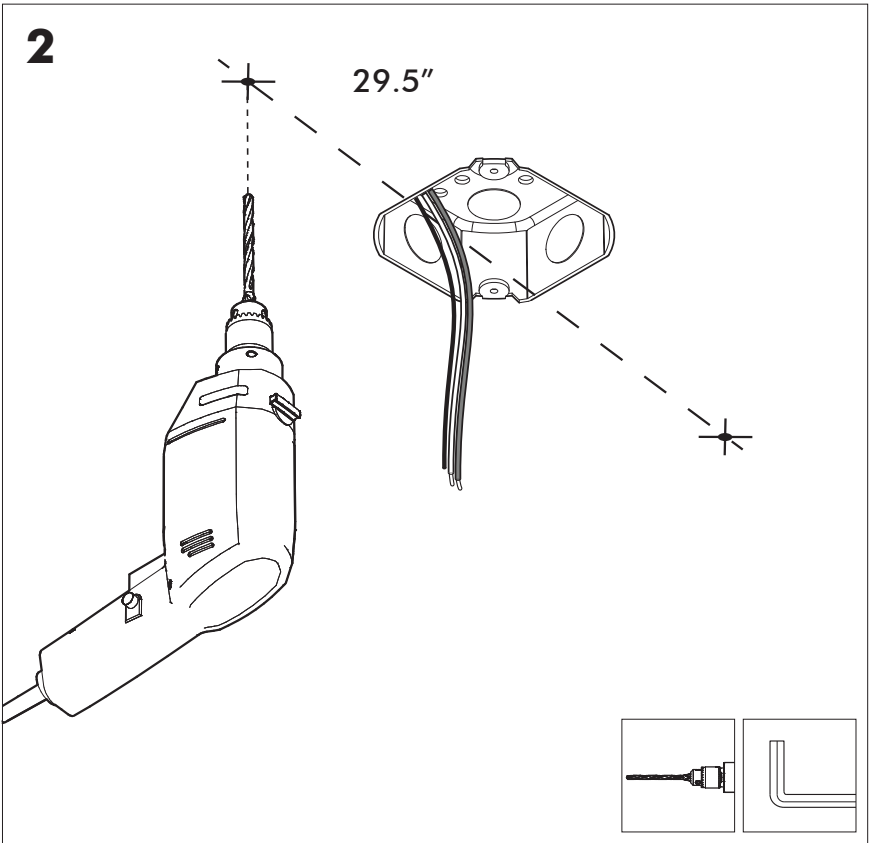
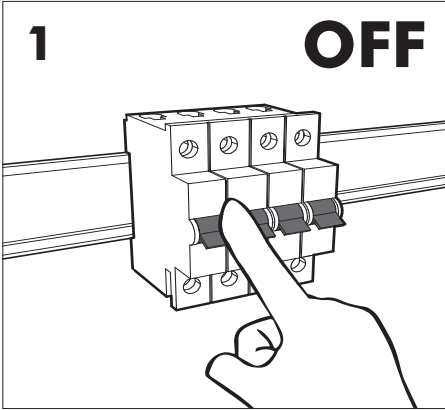
11



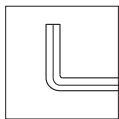
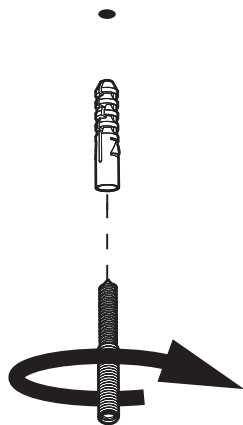
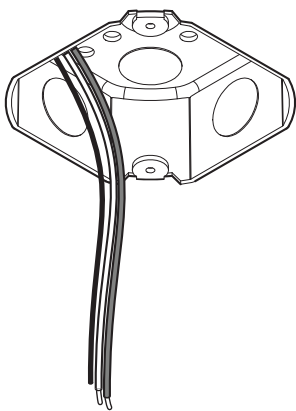
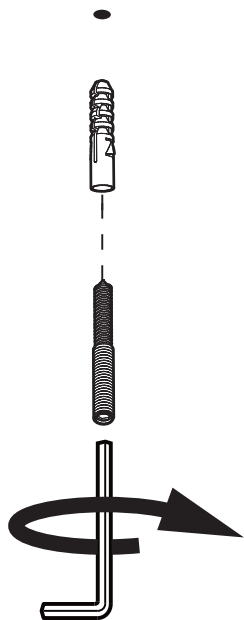


BuzziShade Square Beam Retrofit

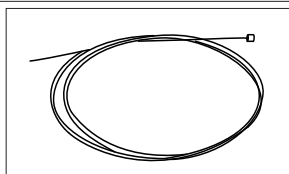
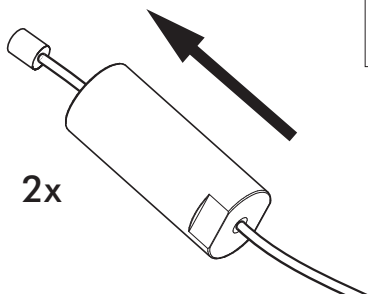
2 PERS. 



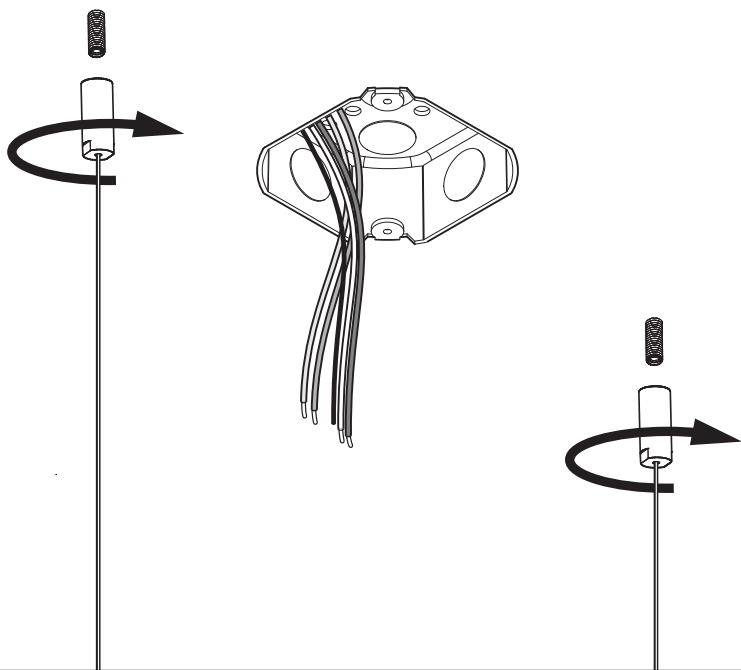
3



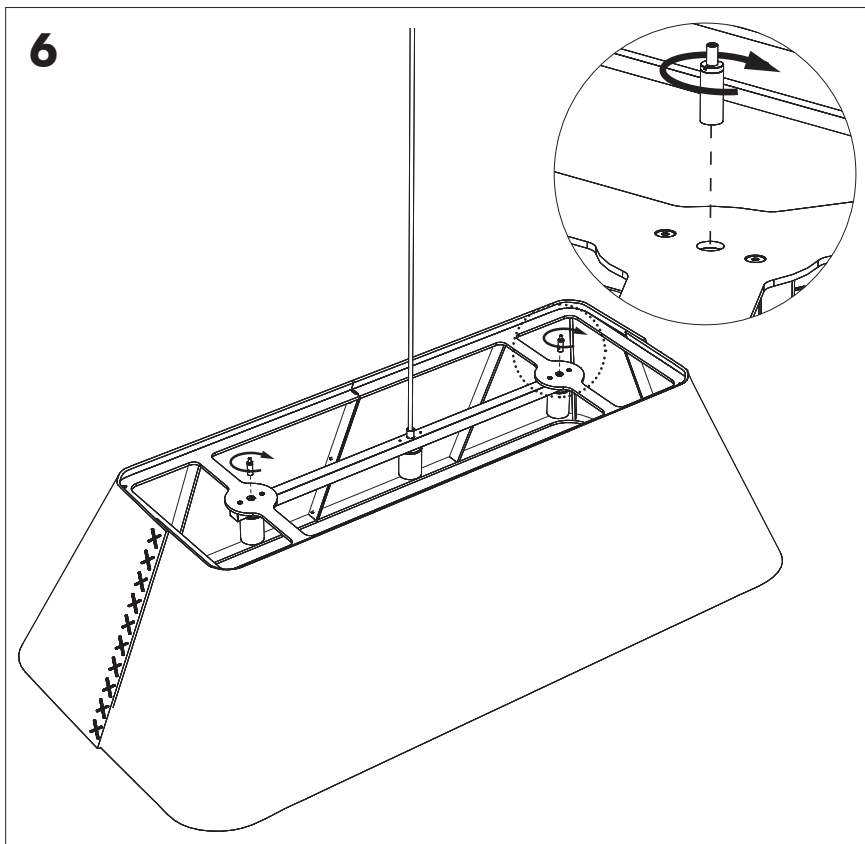
4



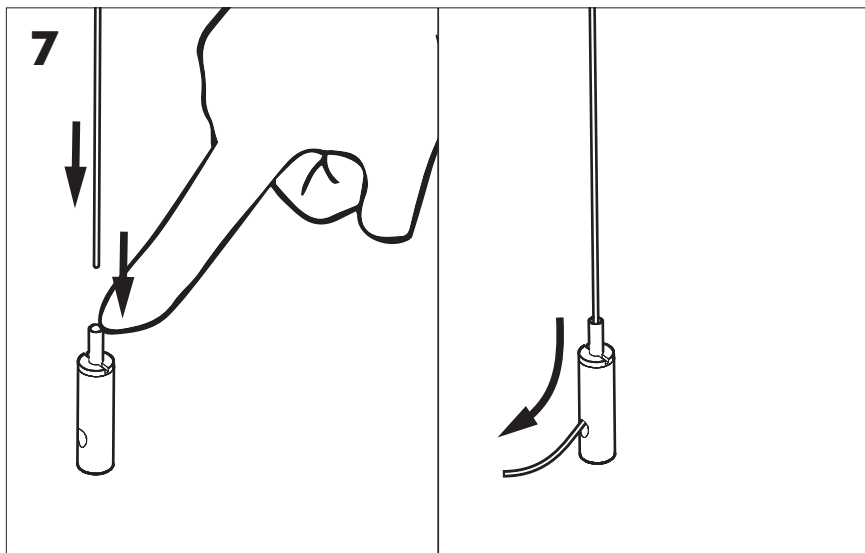
5



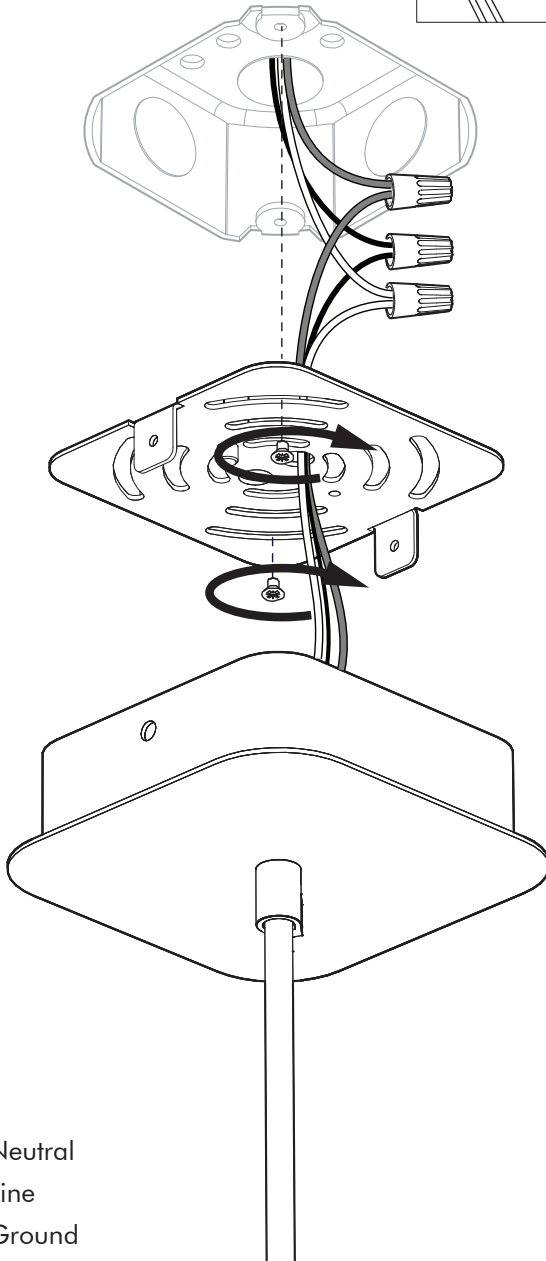
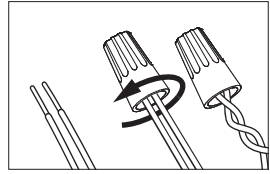
6



7

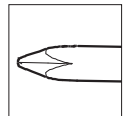


8

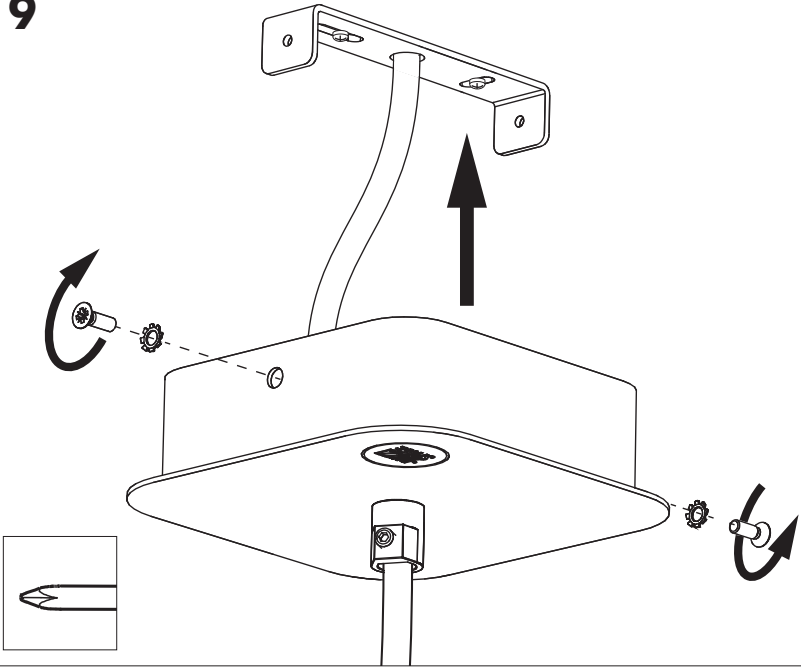


White
Black
Green

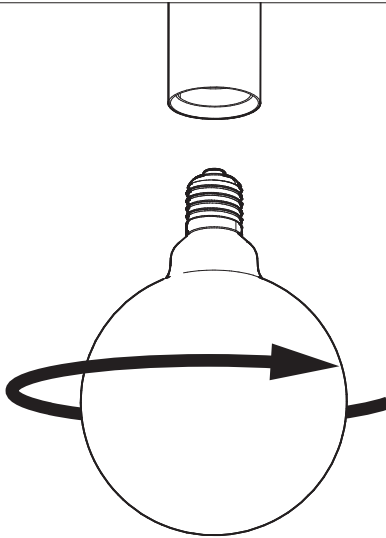
Neutral
Line
Ground



9

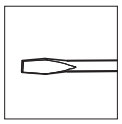
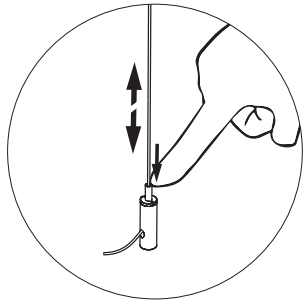
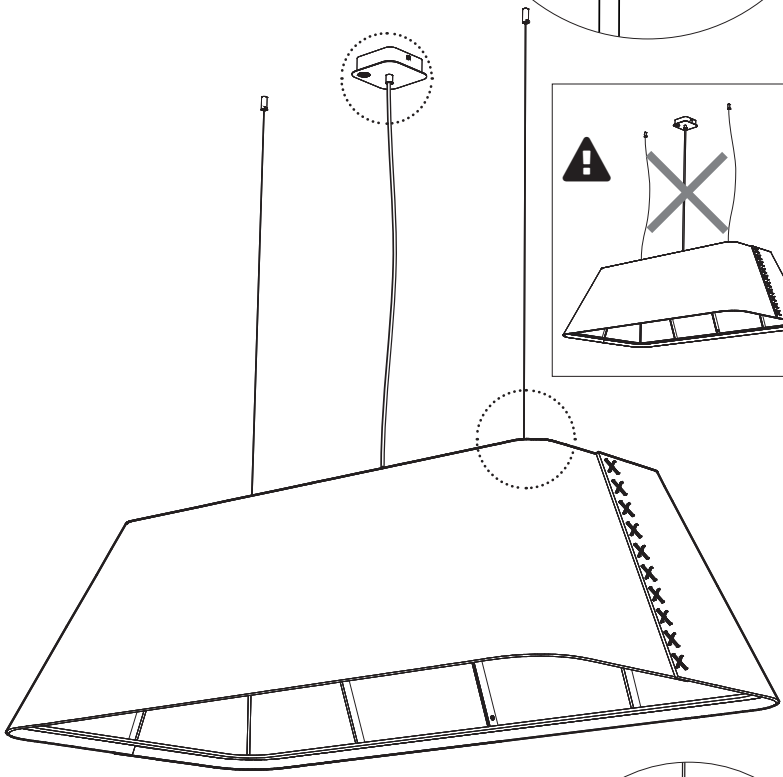
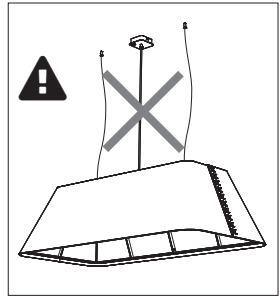
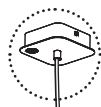
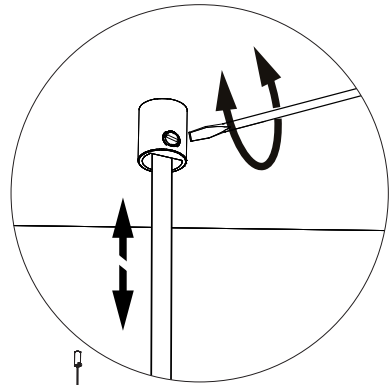


10



Bulb Excluded
Max. 100W

!



BuzziSpace Group NV
Italiëlei 8, 2000 Antwerp
Belgium

☎ +32 (0)3 846 10 00

✉ info@buzzi.space

🌐 www.buzzi.space



A-00007938

Last update: 22/02/2024