

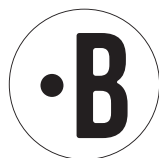
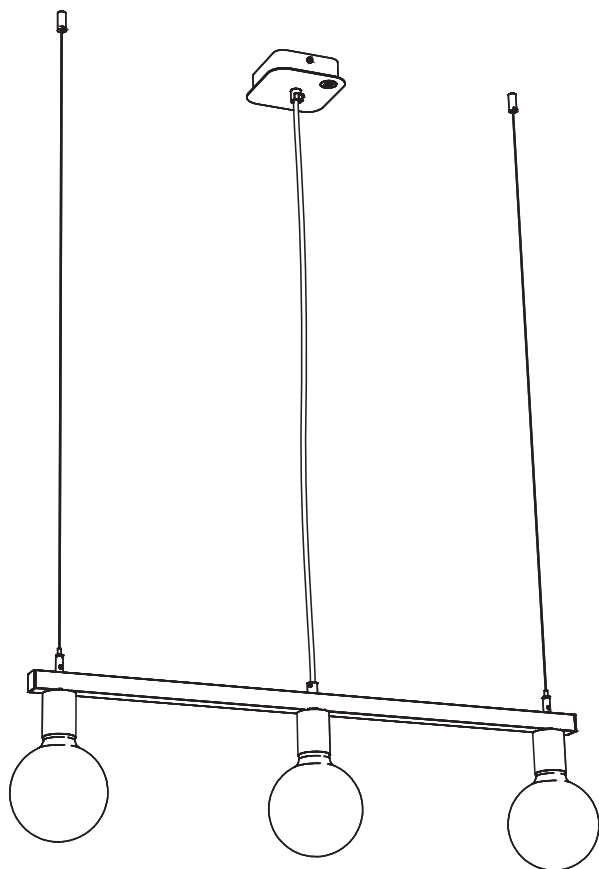
BuzziSol Retrofit Solo

BuzziSol Retrofit Trio

BuzziSol Retrofit Quintet

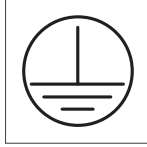
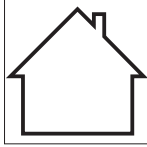
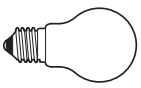
INSTALLATION MANUAL

220-240V



Technical info

E27

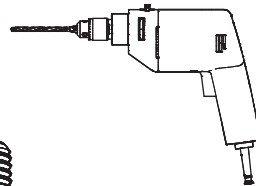
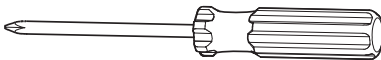
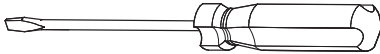


The external flexible cable or cord of this luminaire cannot be replaced; if the cord is damaged, the luminaire shall be destroyed.

Environmental Protection

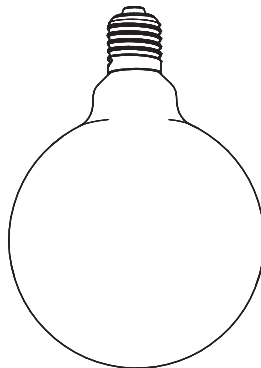
Waste electrical products should not be disposed of with household waste. Please recycle where facilities exist. Check with your Local Authority or retailer for recycling advice.

Excluded



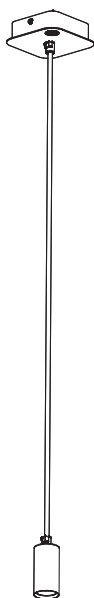
2x 

2x 



Included BuzziSol Retrofit Solo

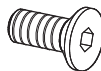
p.5



1x



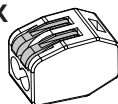
2x



2x

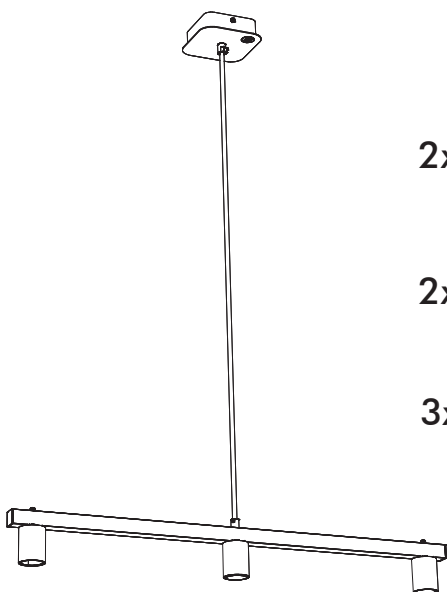


3x



Included BuzziSol Retrofit Trio

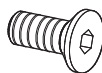
p.9



1x



2x



2x



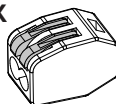
2x



2x



3x

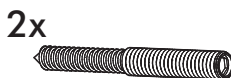
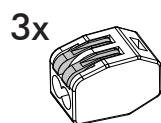
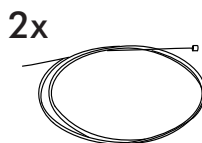
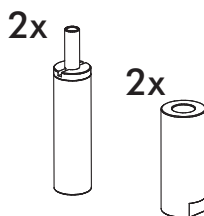
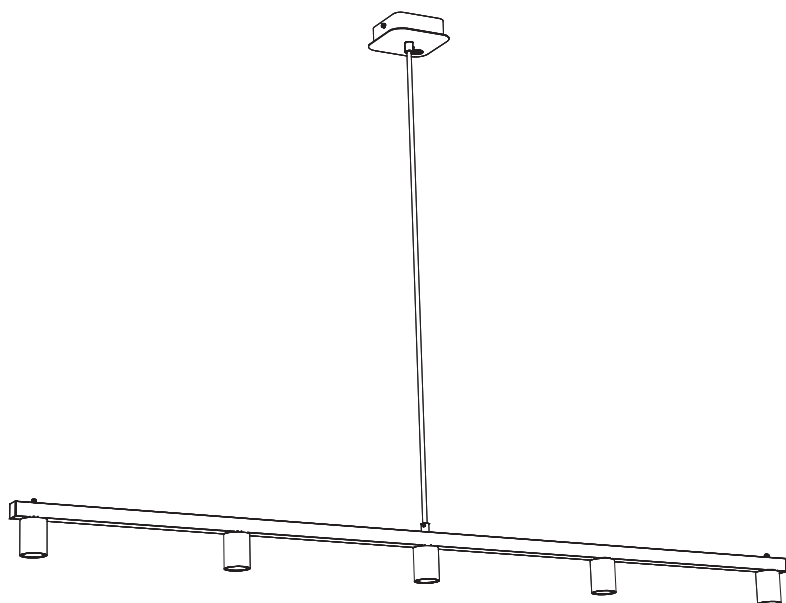


2x



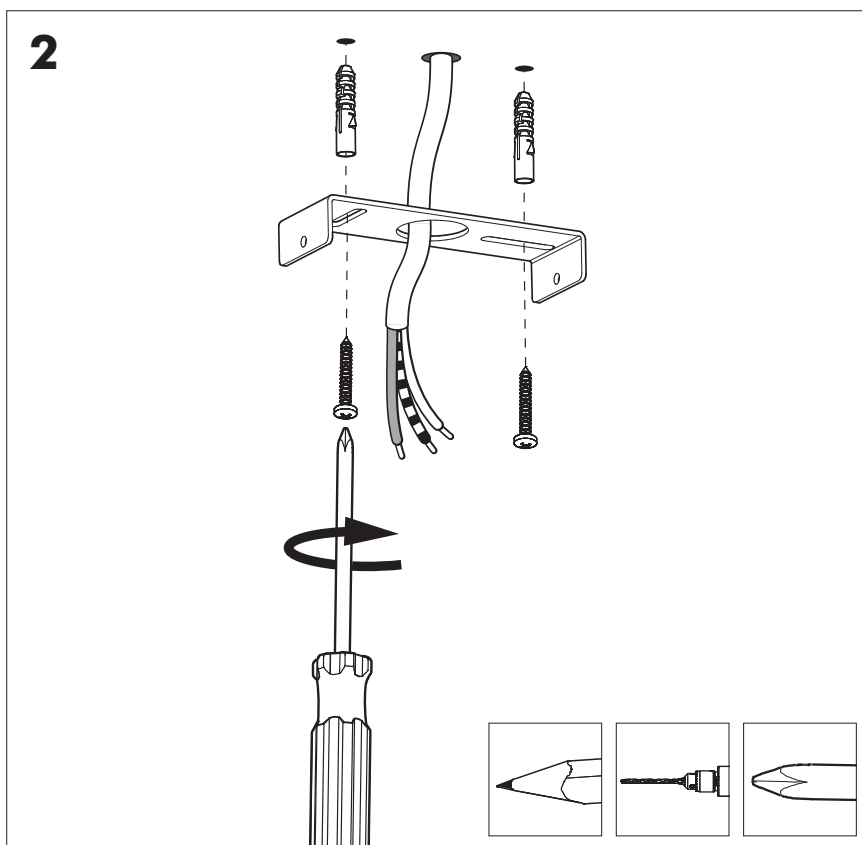
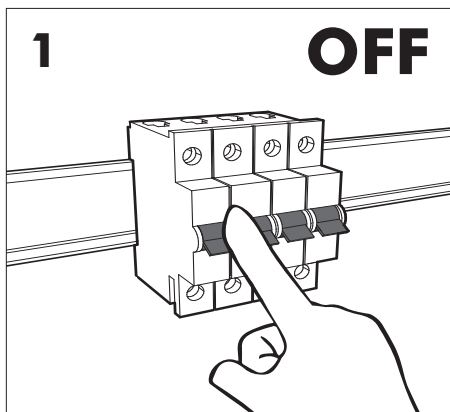
2x



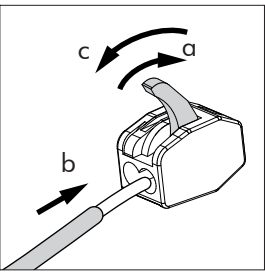
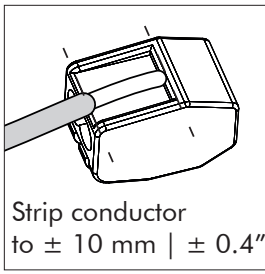
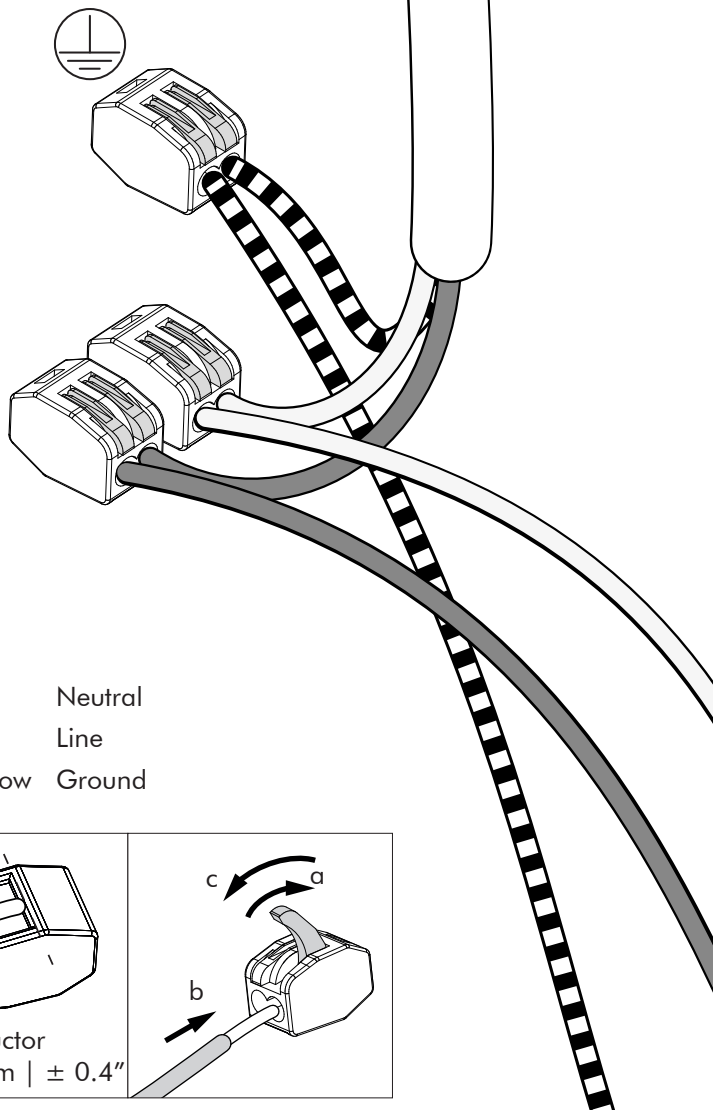


BuzziSol Retrofit Solo

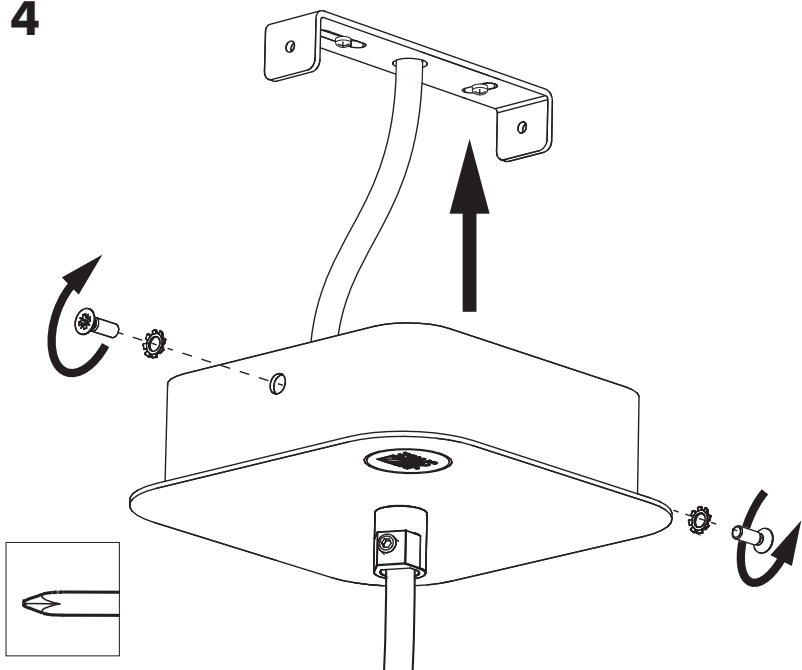
1 PERS. 



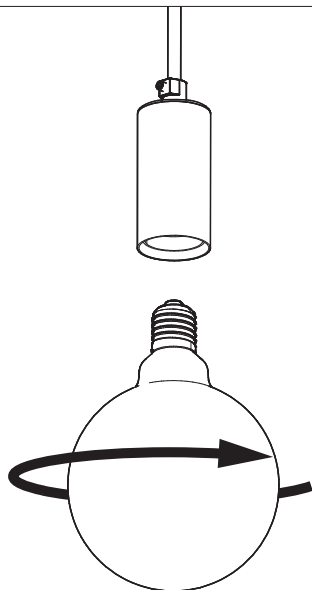
3



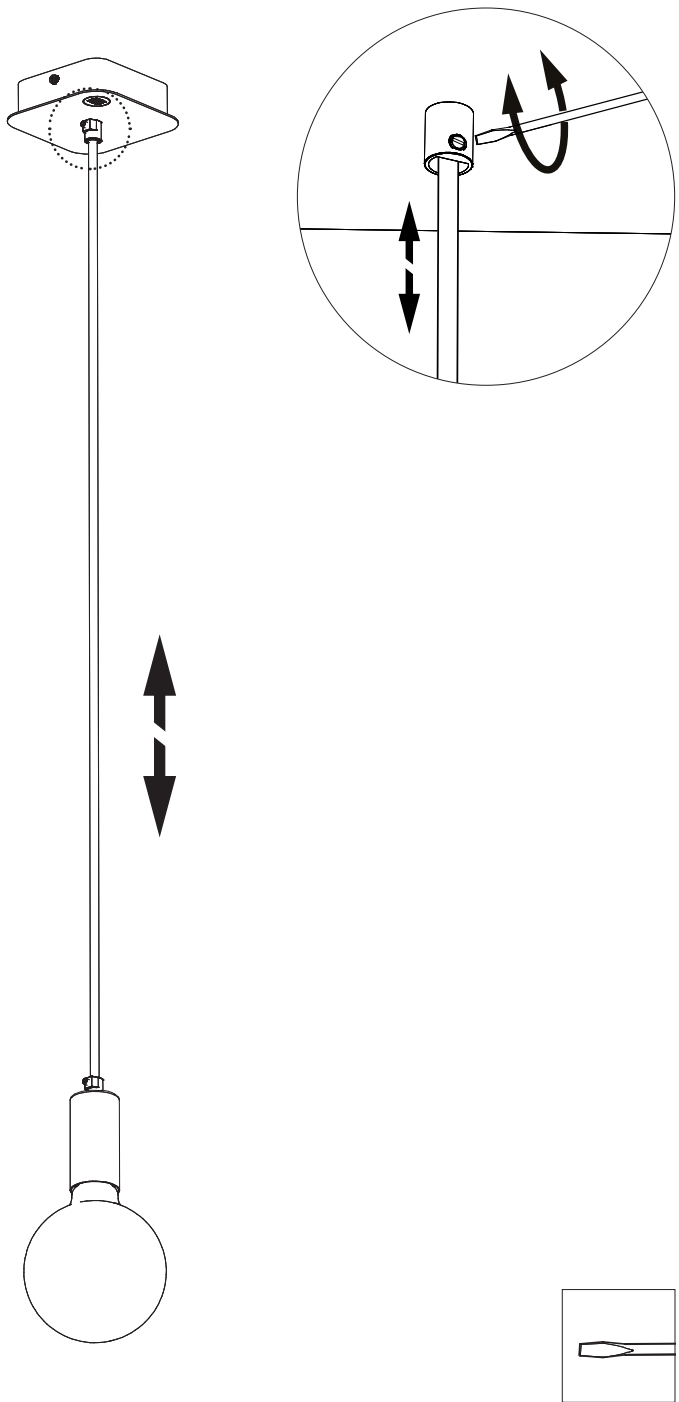
4



5

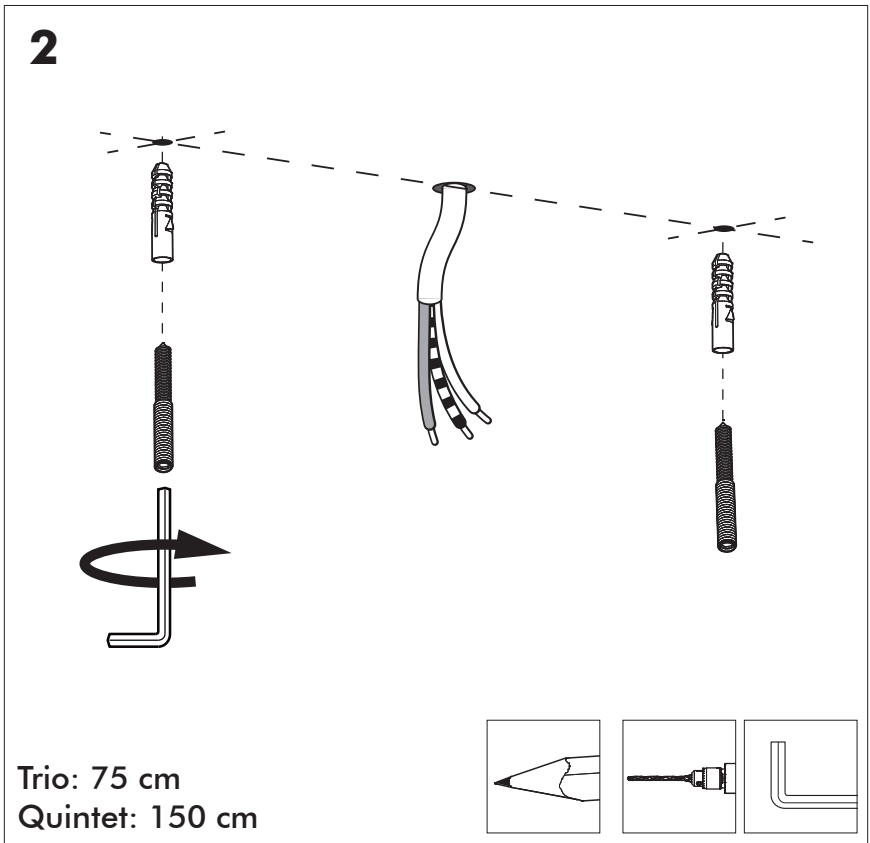
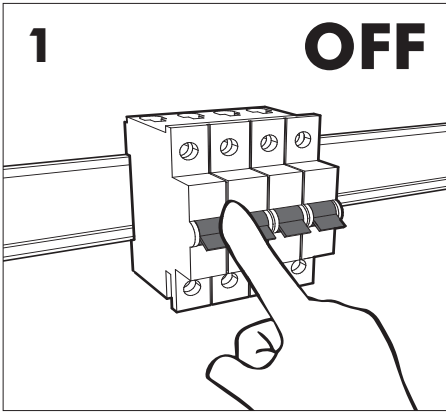


!

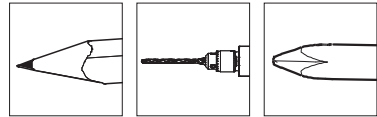
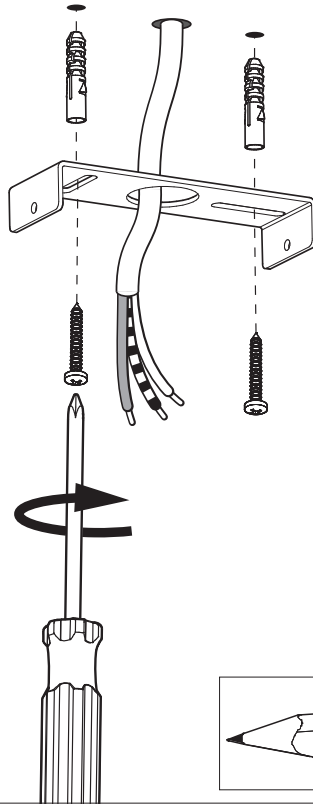


BuzziSol Retrofit Trio | Quintet

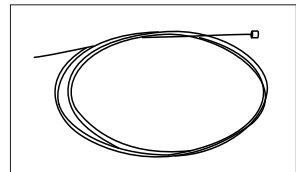
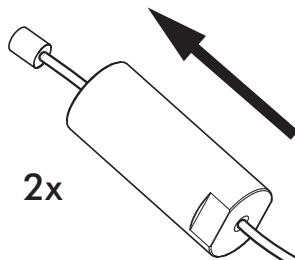
1 PERS. 



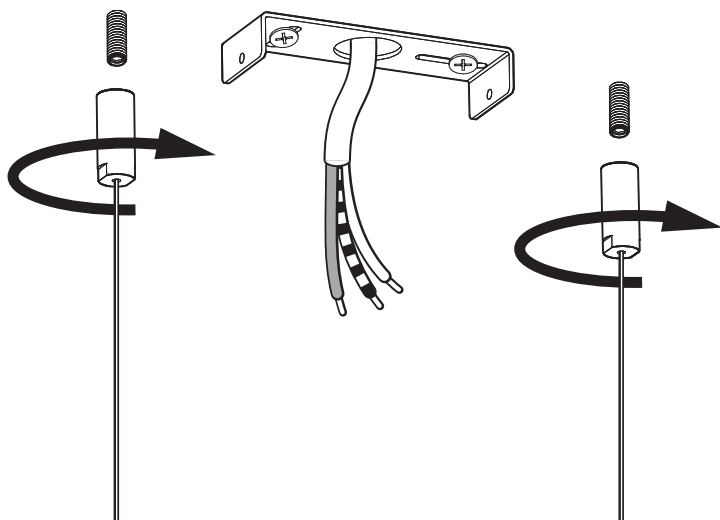
3



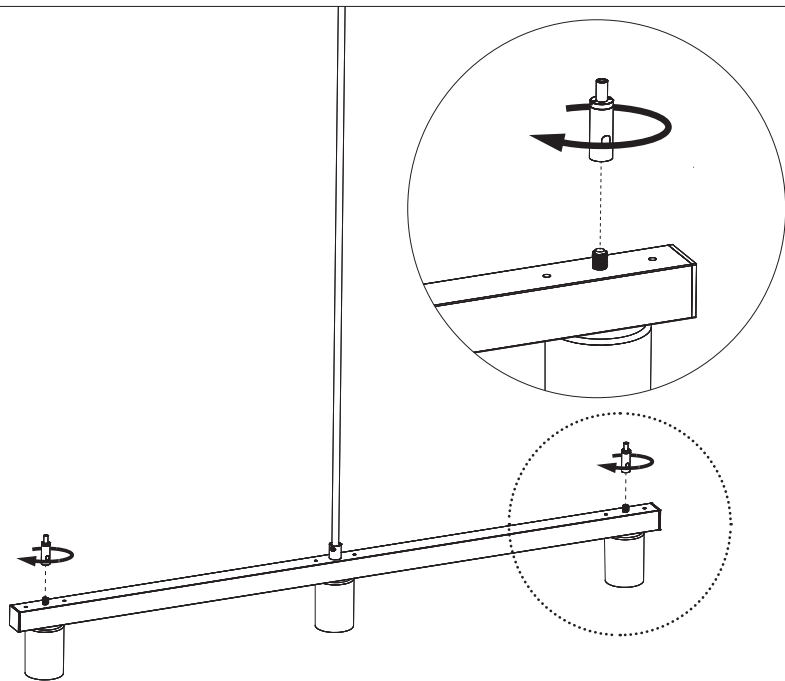
4



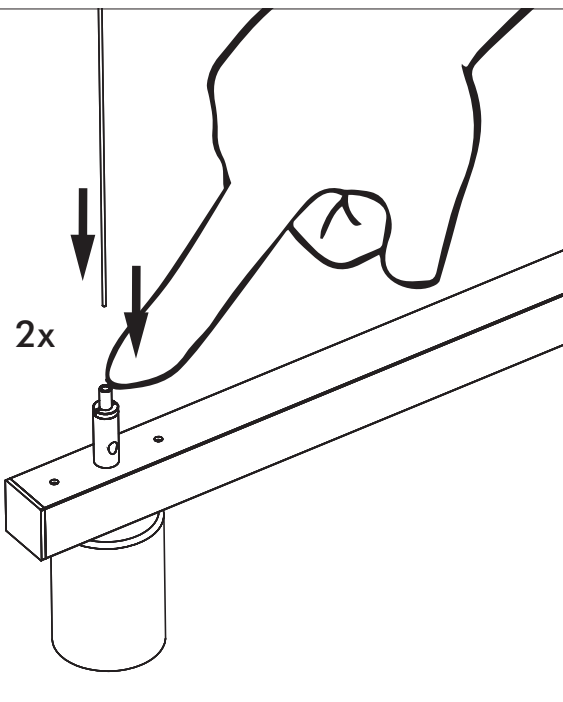
5



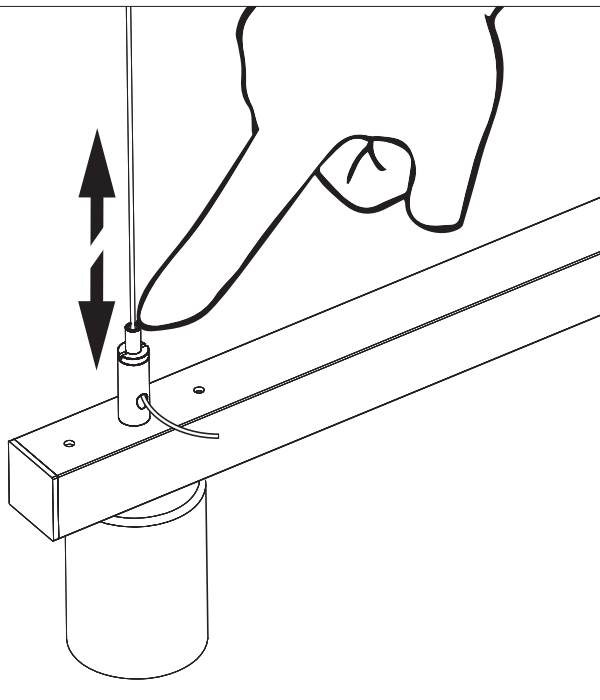
6



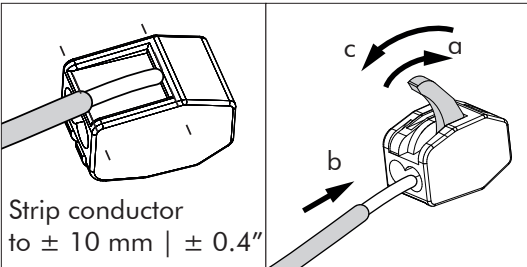
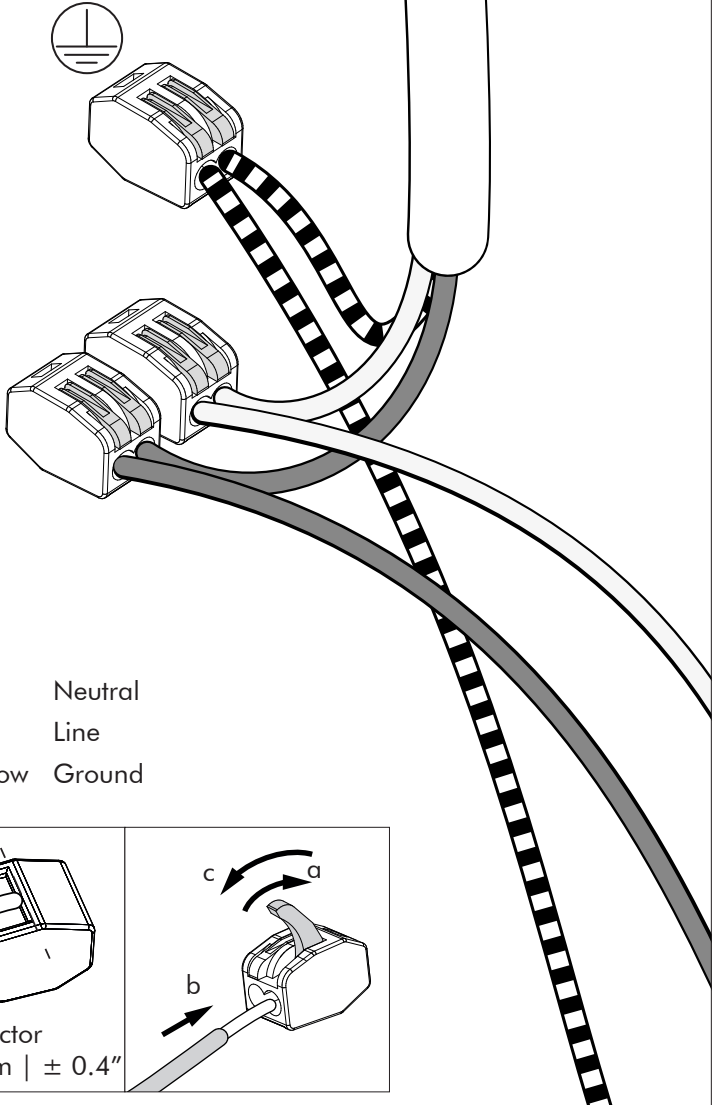
7



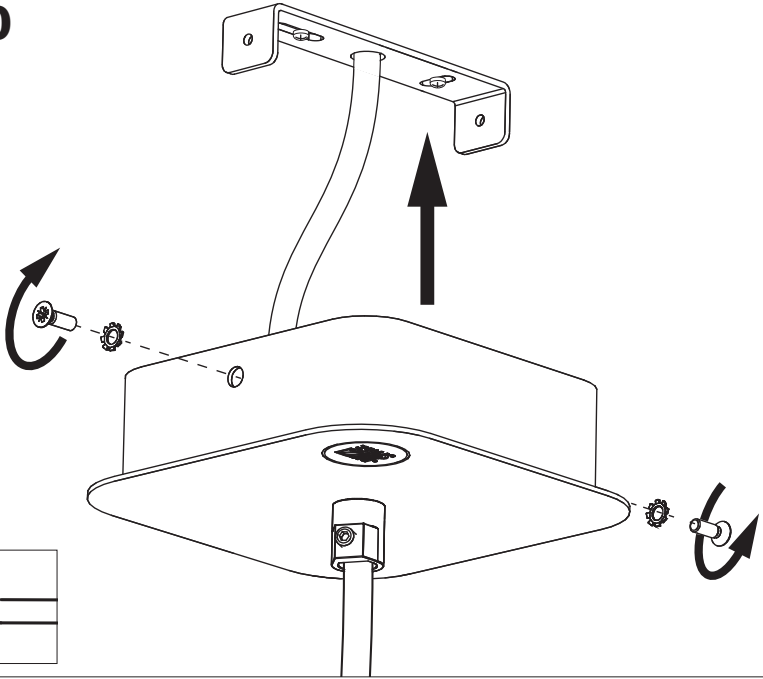
8



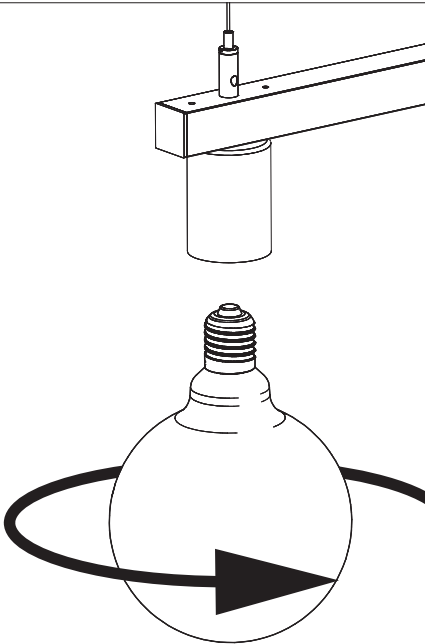
9



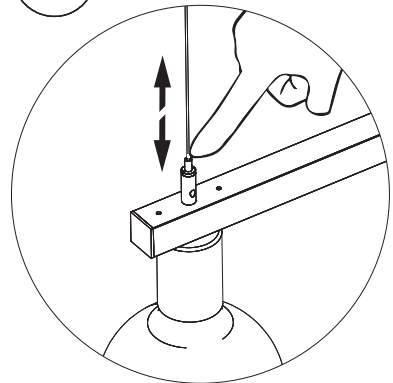
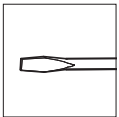
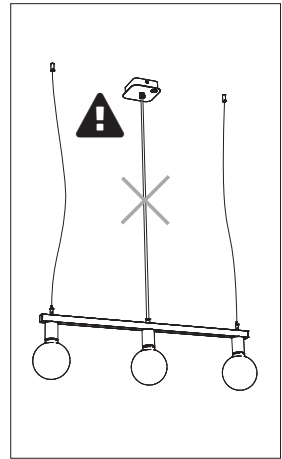
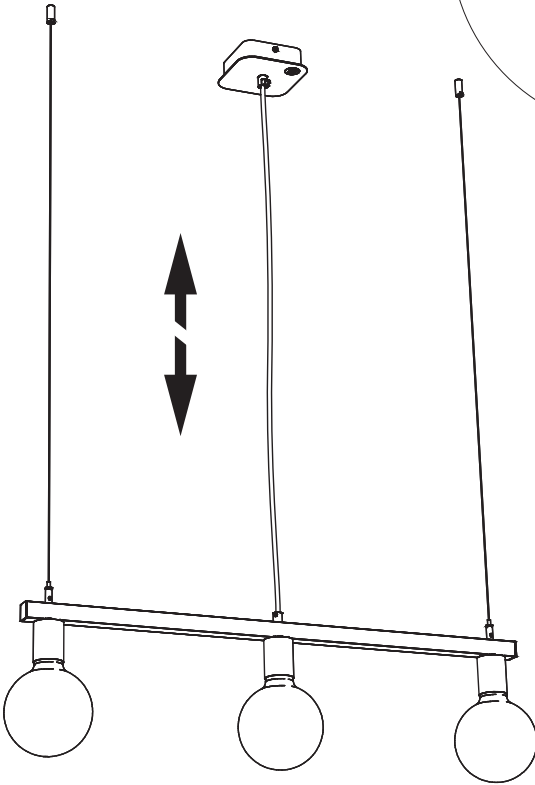
10



11



!

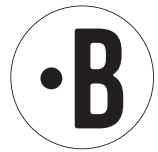


BuzziSpace Group NV
Italiëlei 8, 2000 Antwerp
Belgium

☎ +32 (0)3 846 10 00

✉ info@buzzi.space

🌐 www.buzzi.space



A-0000007909/01
Last update: 08/01/2024