

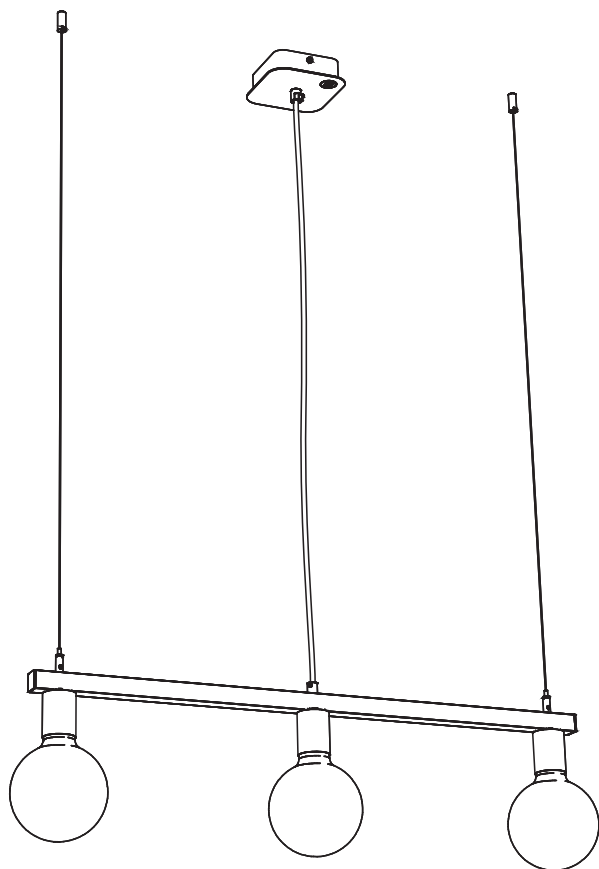
BuzziSol Retrofit Solo

BuzziSol Retrofit Trio

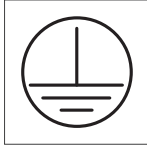
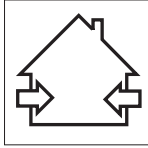
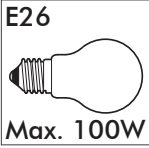
BuzziSol Retrofit Quintet

INSTALLATION MANUAL

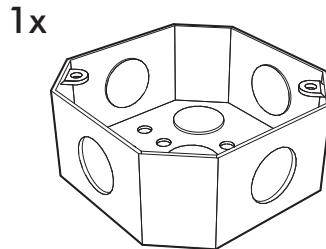
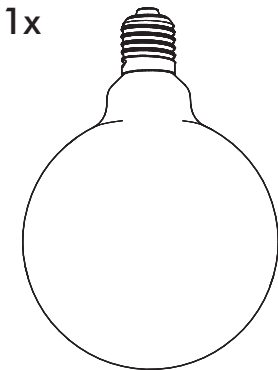
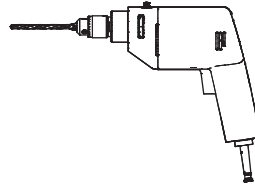
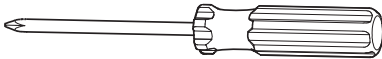
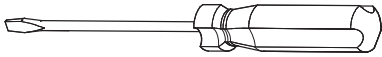
120V



Technical info

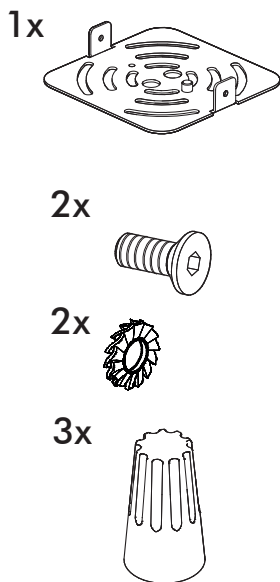
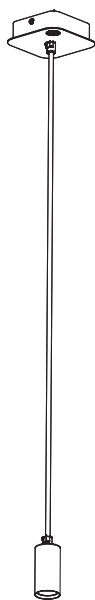


Excluded



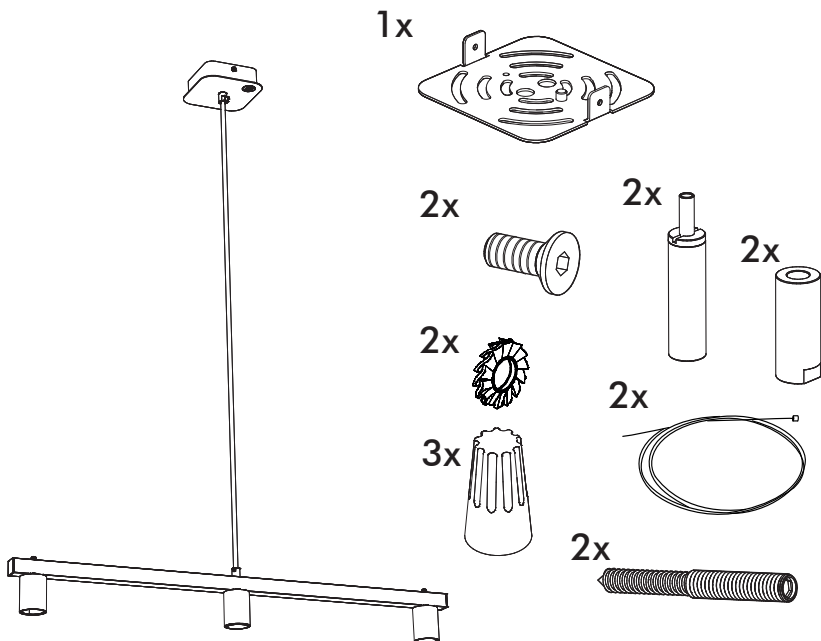
Included BuzziSol Retrofit Solo

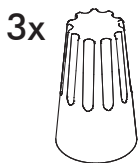
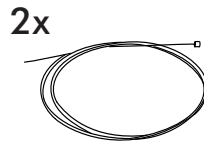
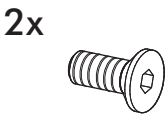
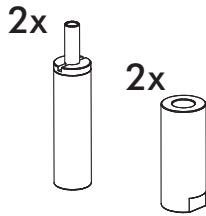
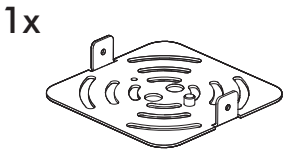
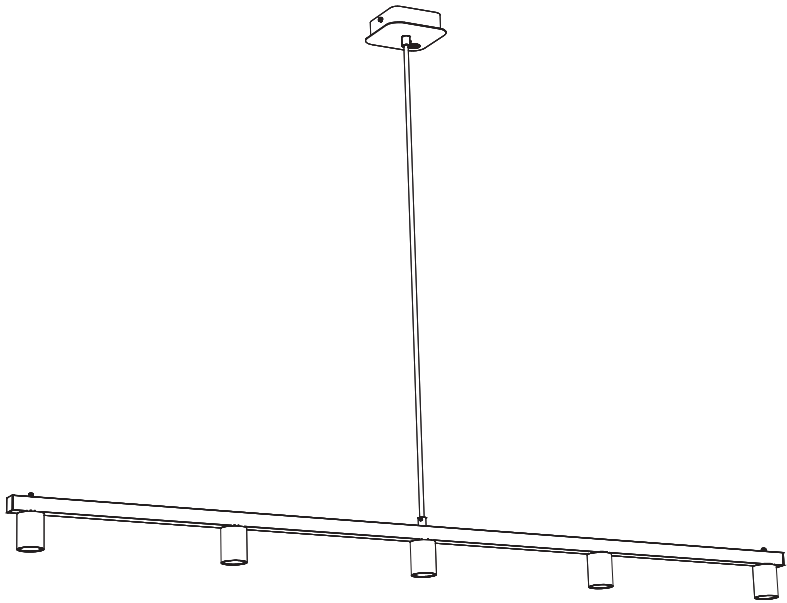
p.5



Included BuzziSol Retrofit Trio

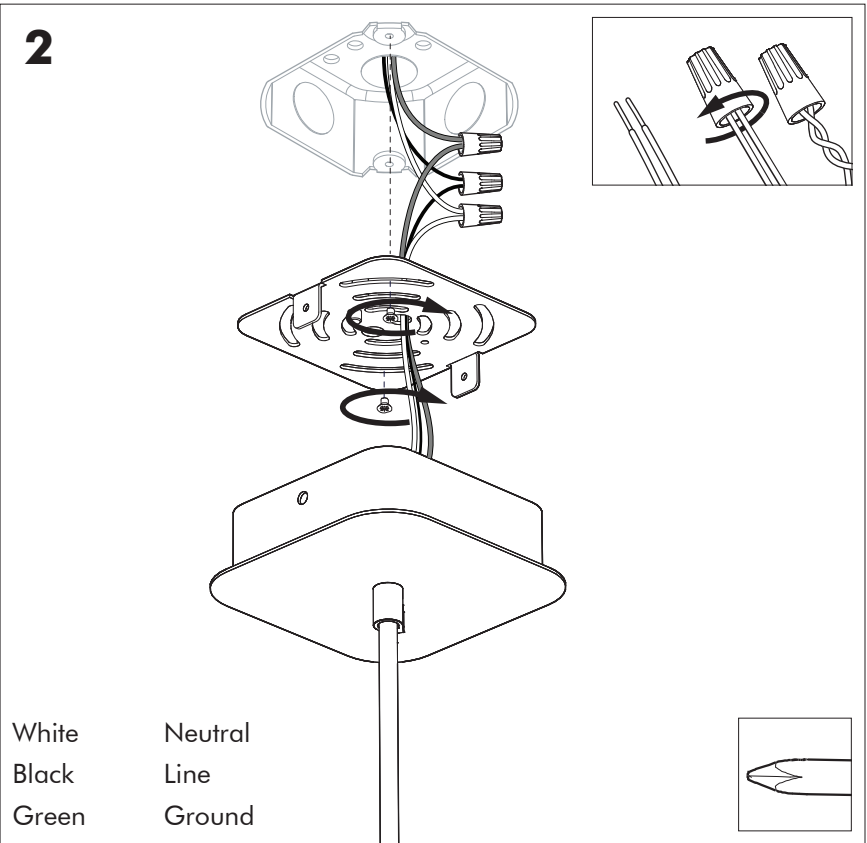
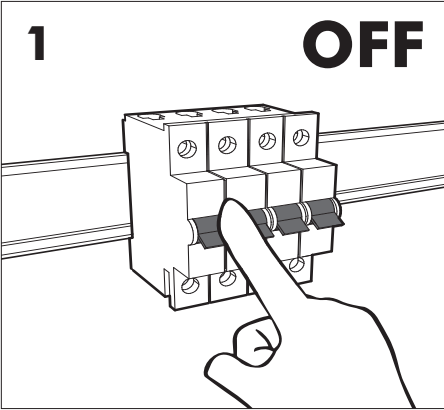
p.8

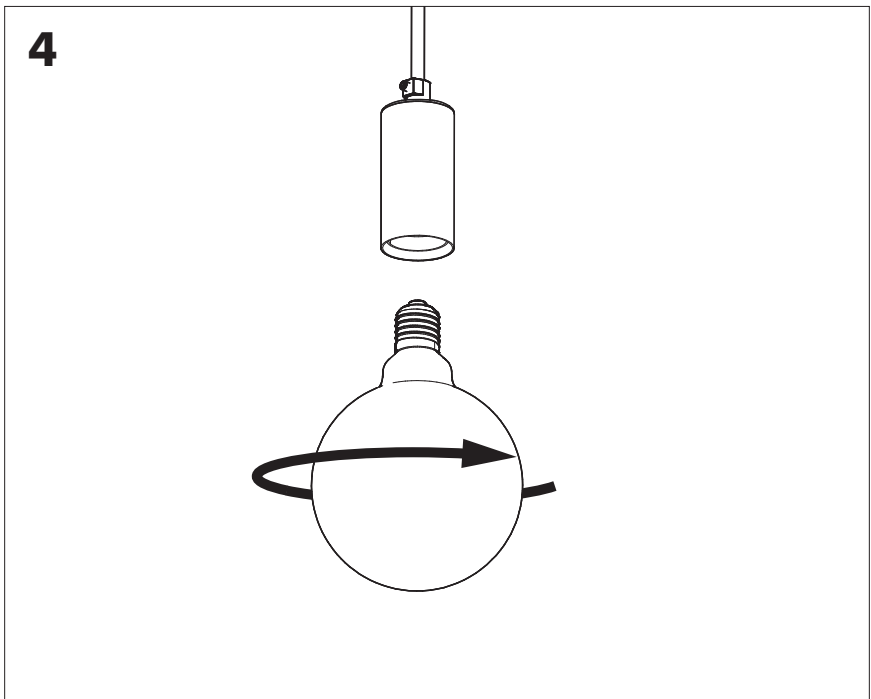
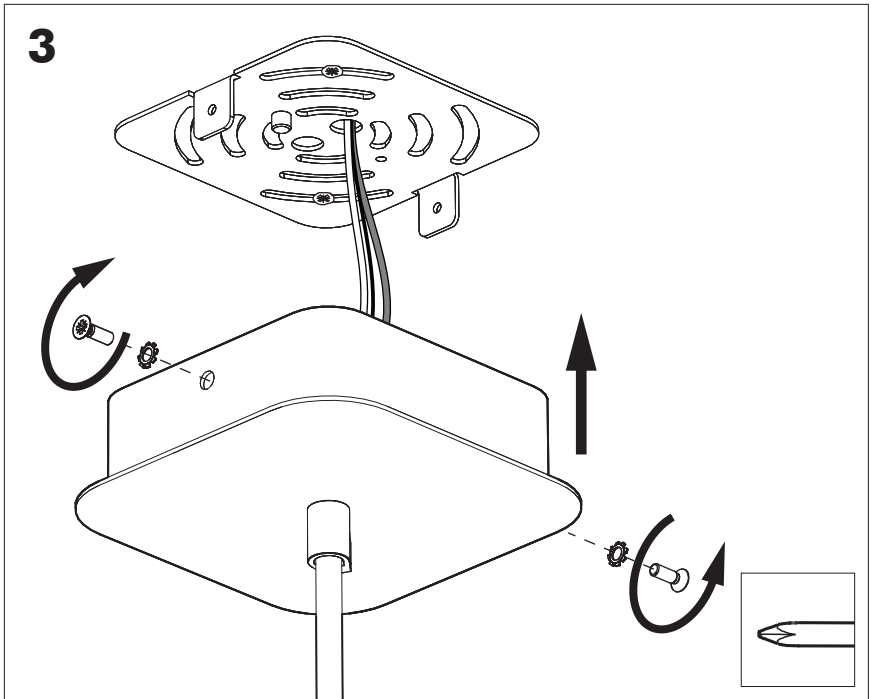




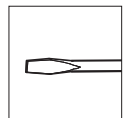
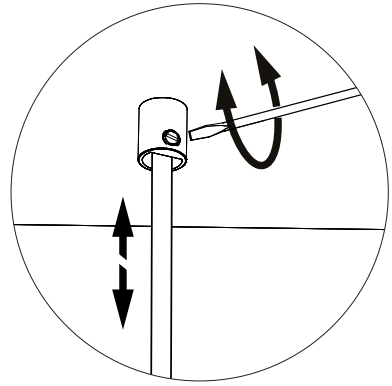
BuzziSol Retrofit Solo

1 PERS. 



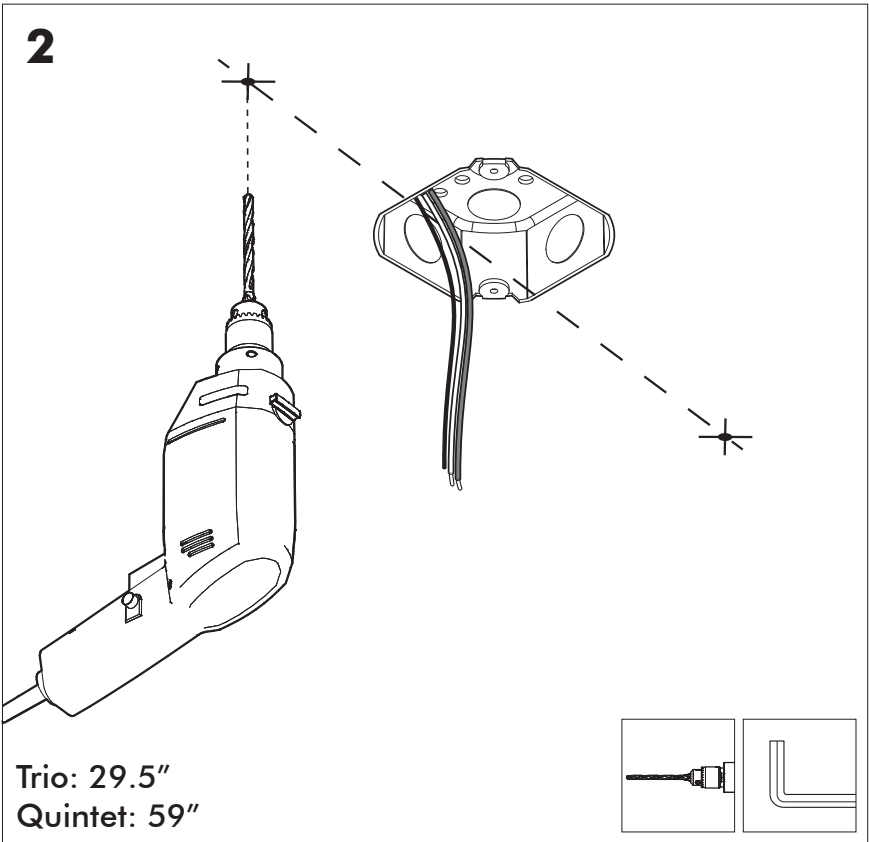
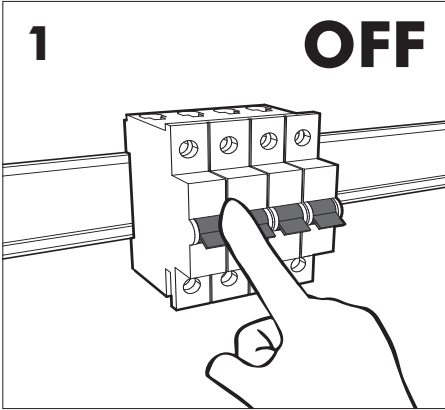


!

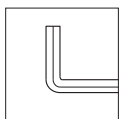
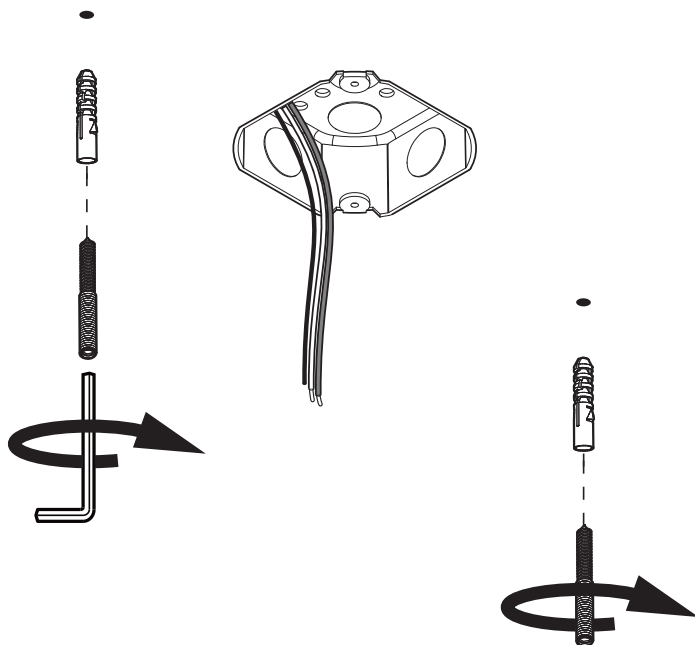


BuzziSol Retrofit Trio | Quintet

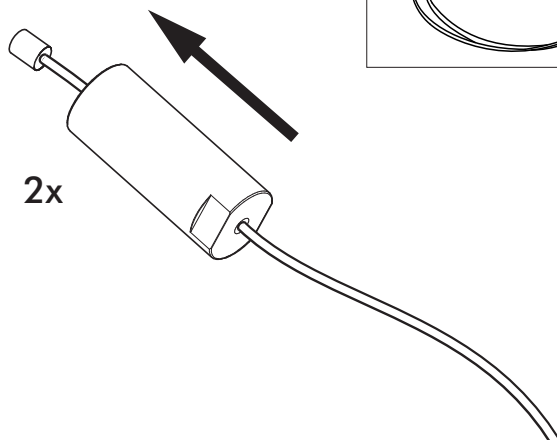
1 PERS. 



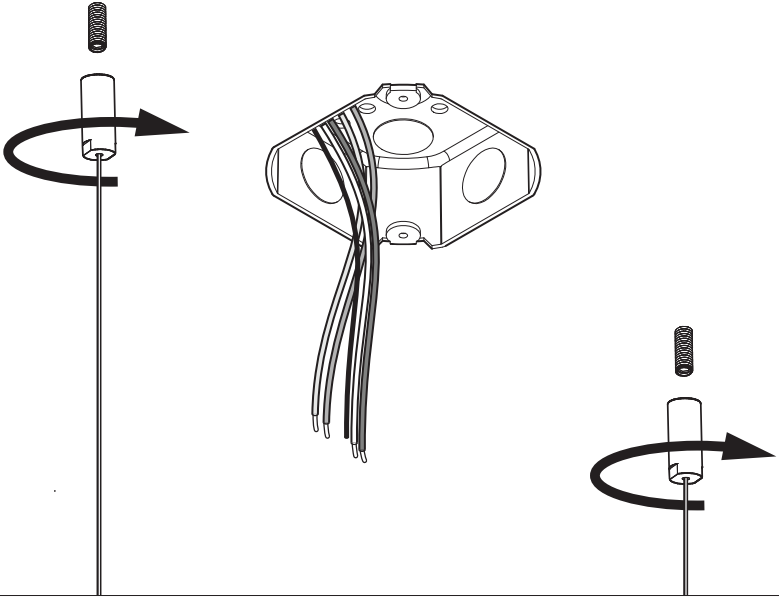
3



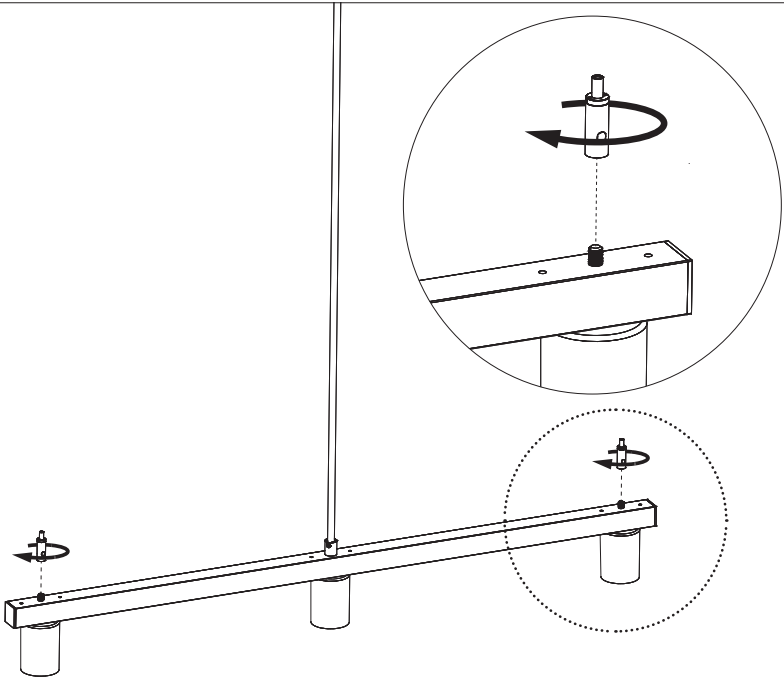
4



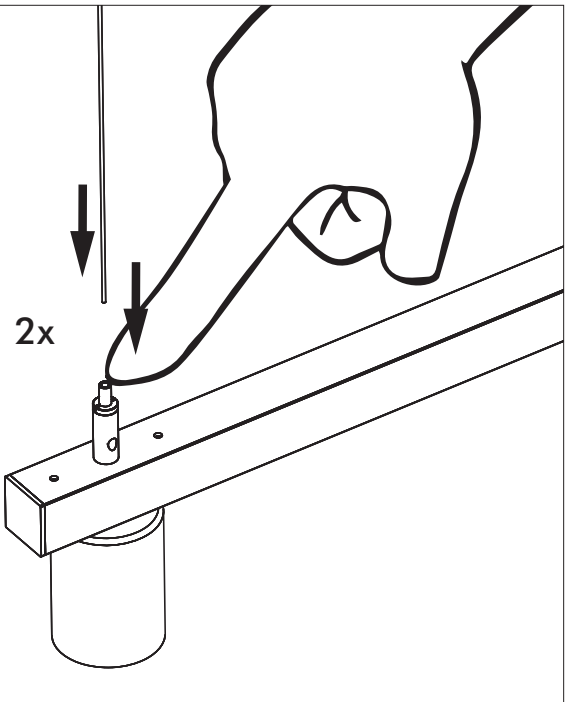
5



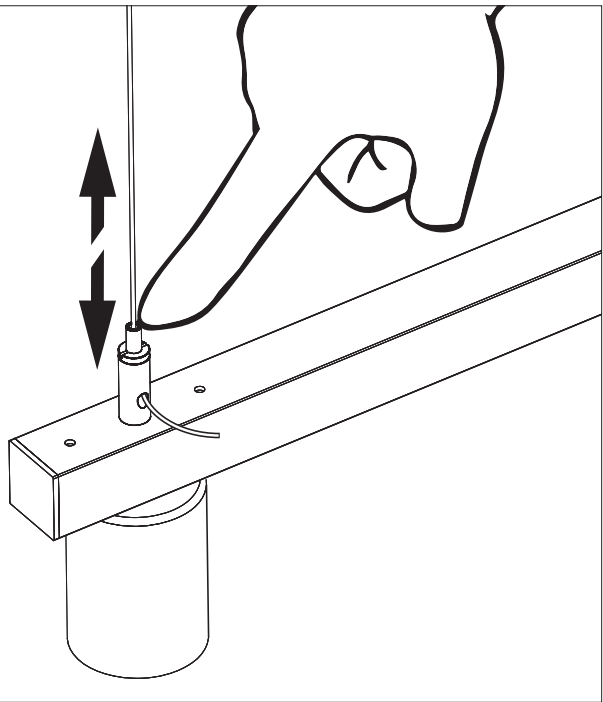
6



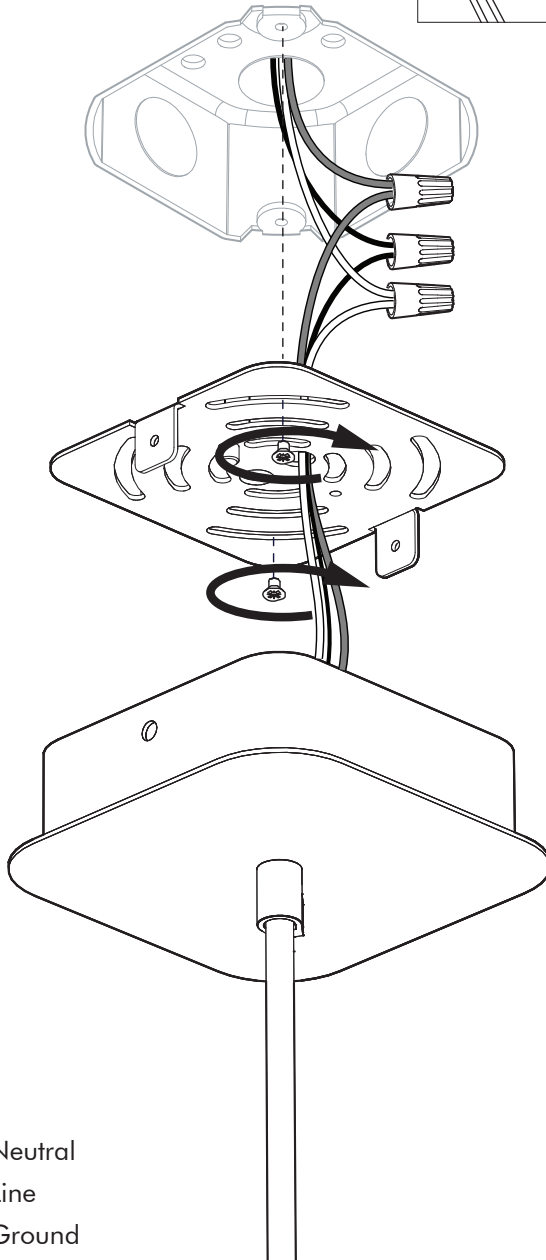
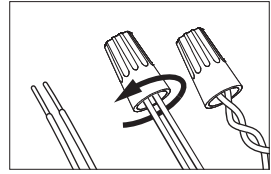
7



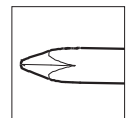
8



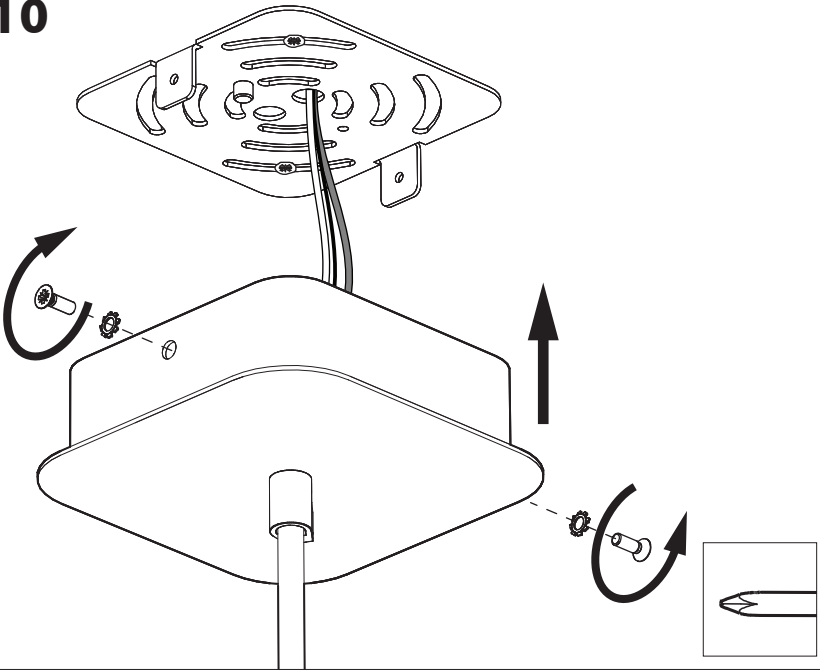
9



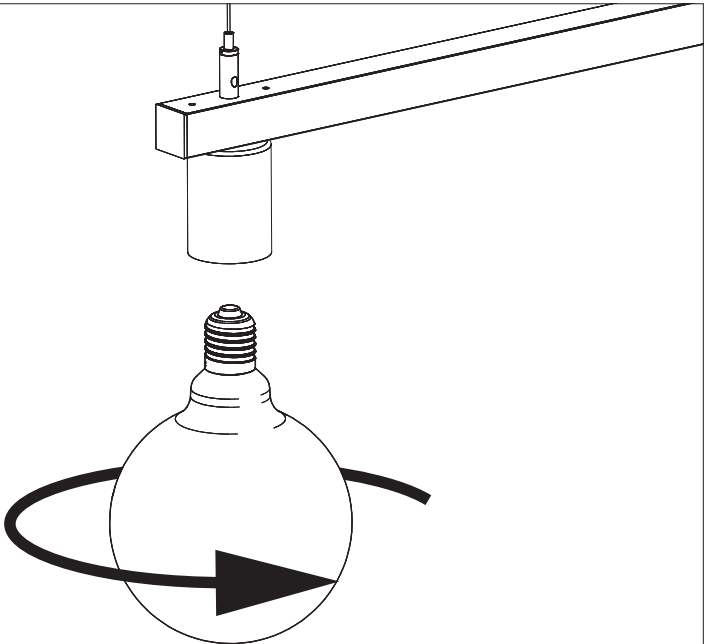
White	Neutral
Black	Line
Green	Ground



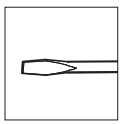
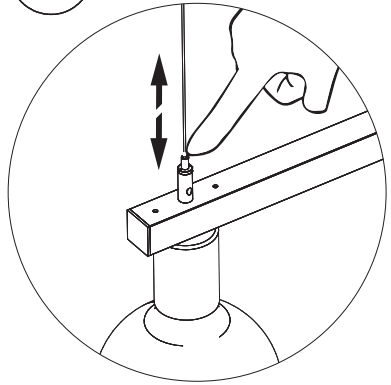
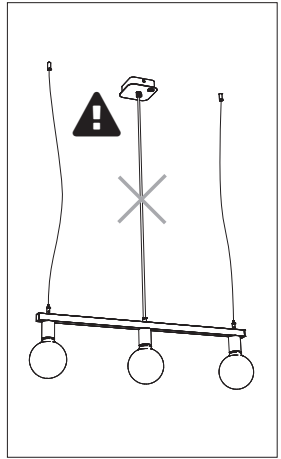
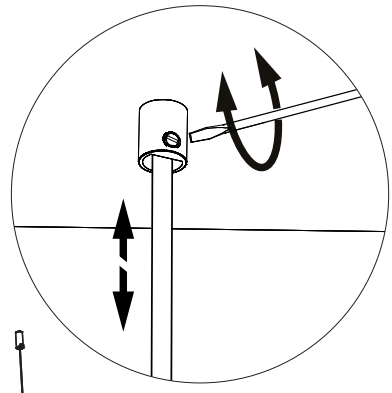
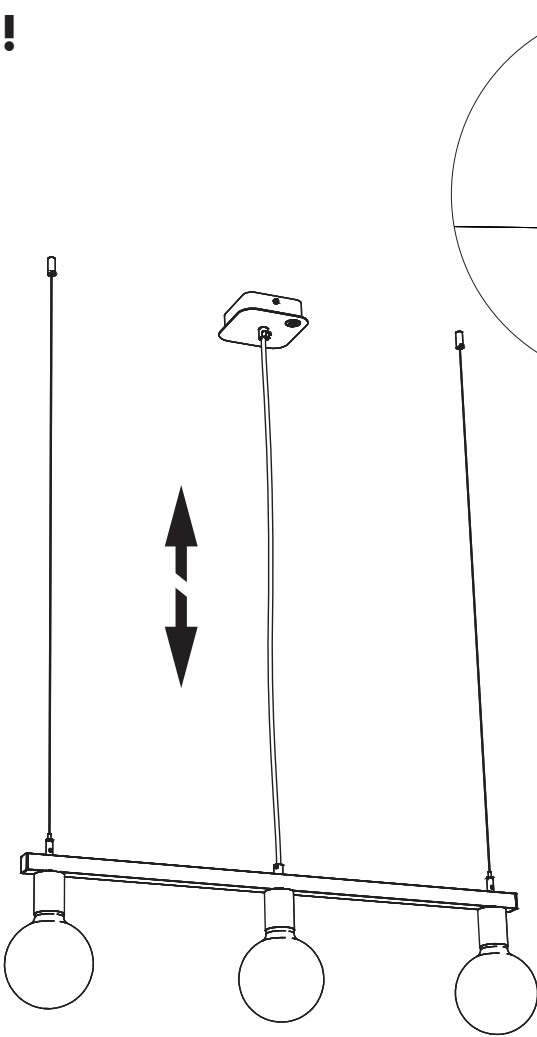
10



11



!



BuzziSpace Group NV
Italiëlei 8, 2000 Antwerp
Belgium

☎ +32 (0)3 846 10 00

✉ info@buzzi.space

🌐 www.buzzi.space



A-0000007910/01
Last update: 30/11/2023