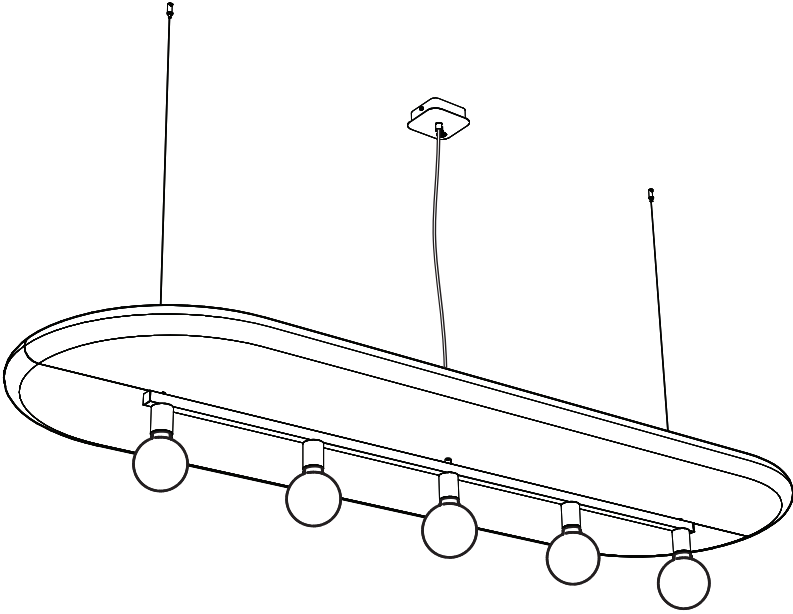


BuzziSurf

Small | Medium | Large

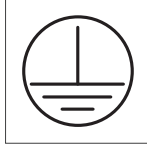
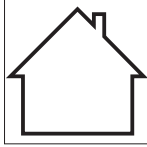
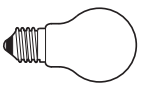
Retrofit

INSTALLATION MANUAL
220-240V



Technical info

E27

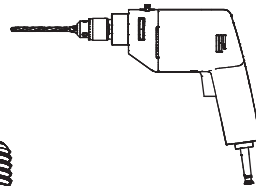
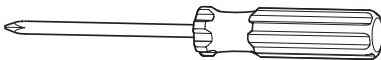
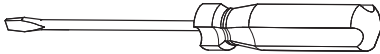


The external flexible cable or cord of this luminaire cannot be replaced; if the cord is damaged, the luminaire shall be destroyed.

Environmental Protection

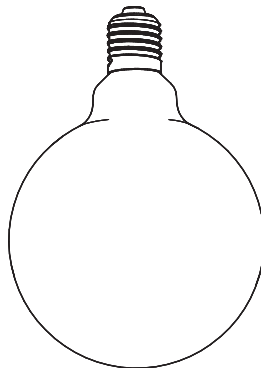
Waste electrical products should not be disposed of with household waste. Please recycle where facilities exist. Check with your Local Authority or retailer for recycling advice.

Excluded

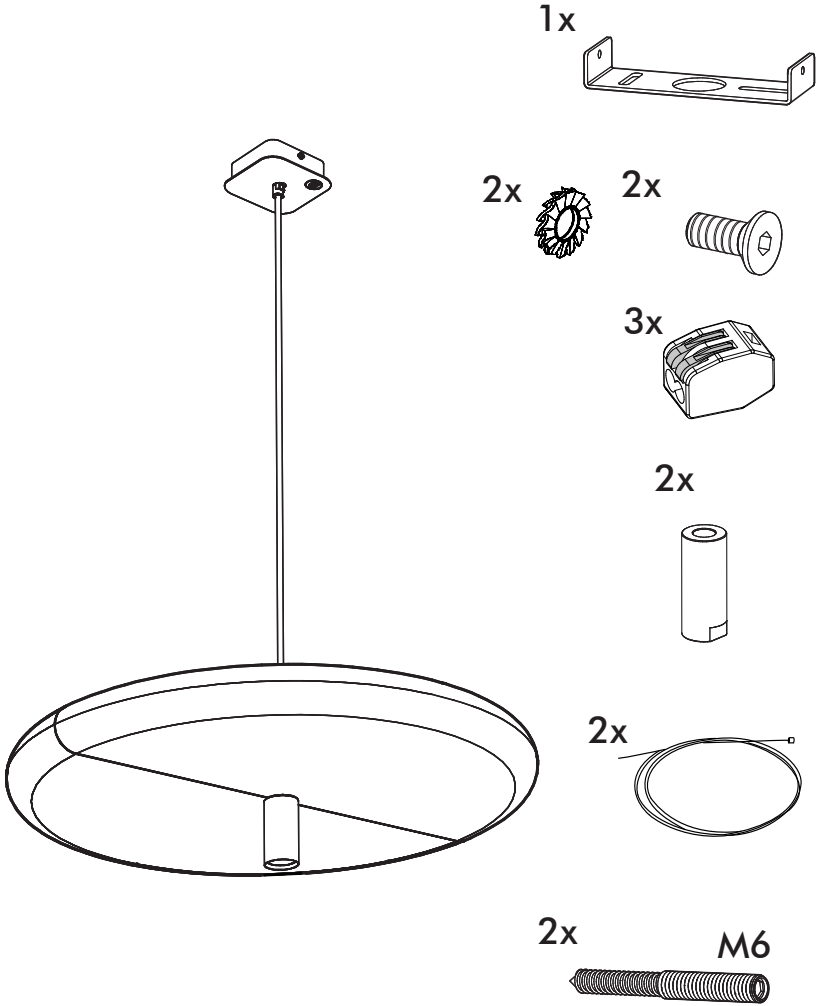


2x 

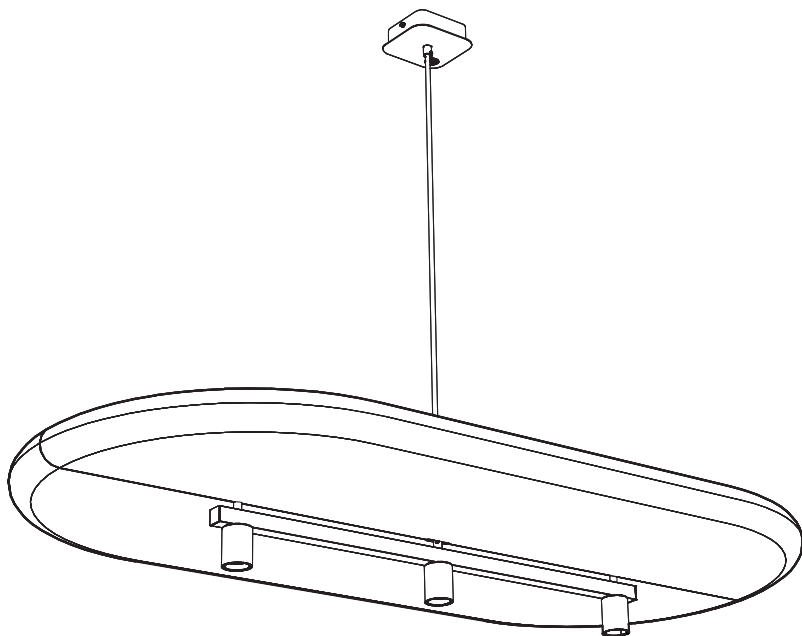
2x 



Included BuzziSurf Small Retrofit



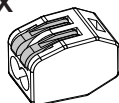
Included BuzziSurf Medium Retrofit



1x



3x



2x



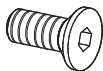
2x



2x



2x

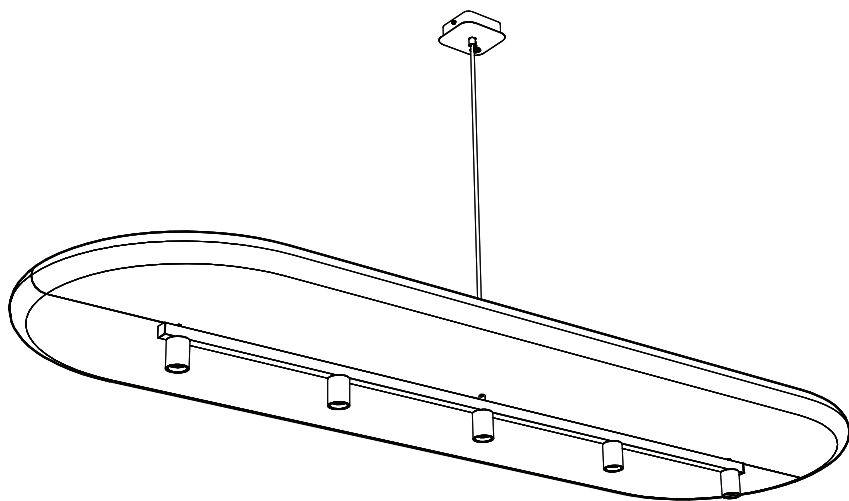


2x



M6

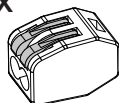
Included BuzziSurf Large Retrofit



1x



3x



2x



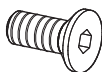
2x



2x



2x



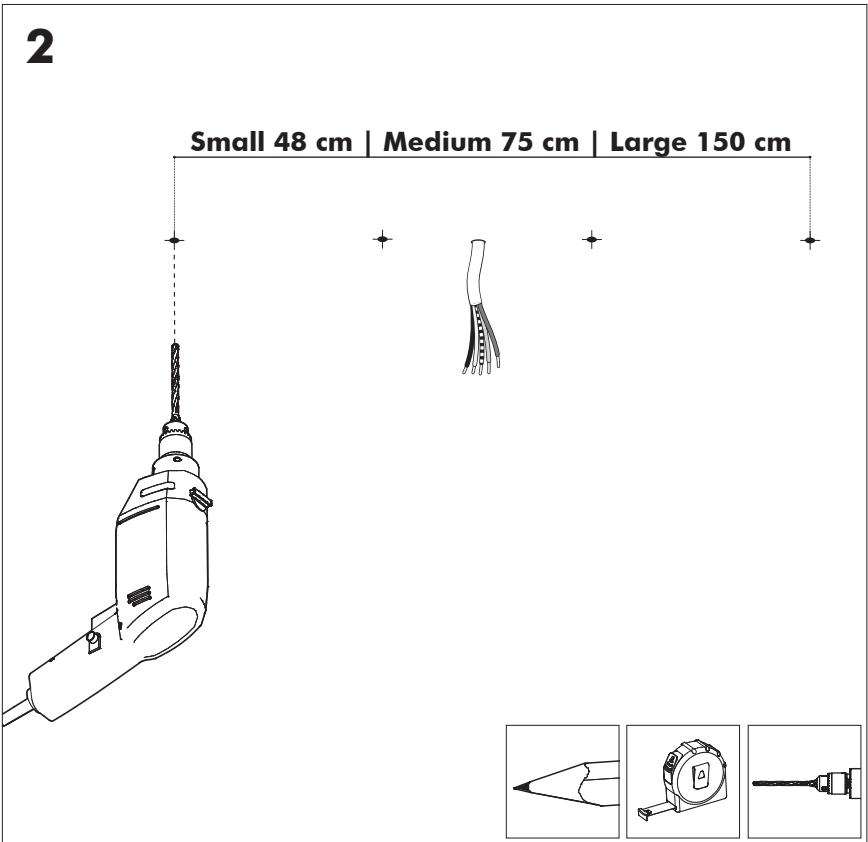
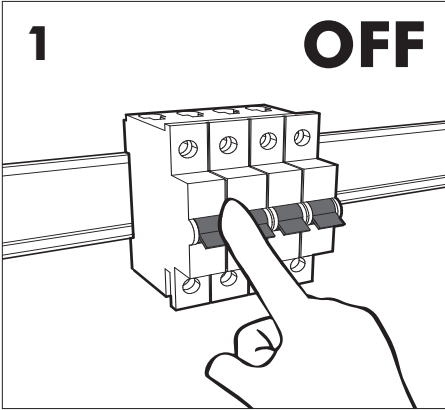
2x



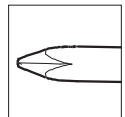
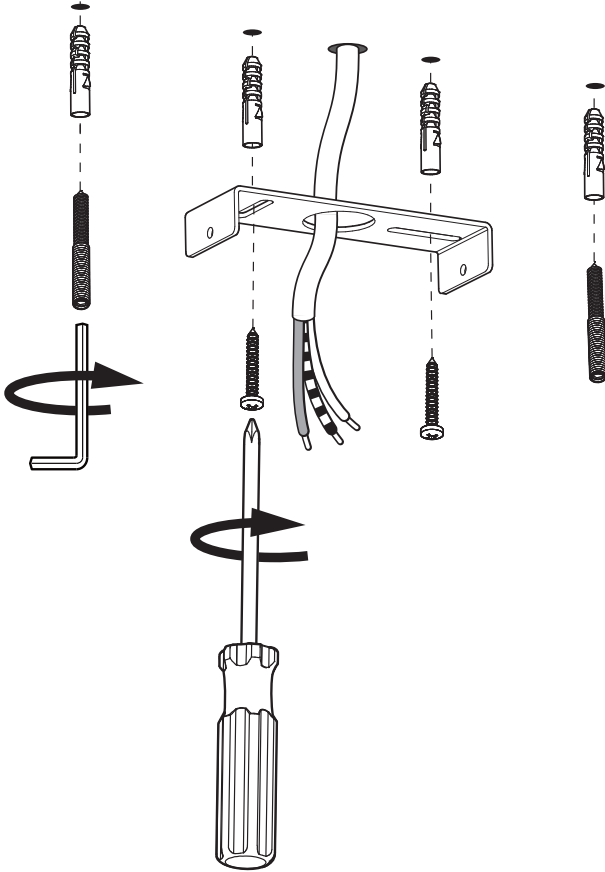
M6

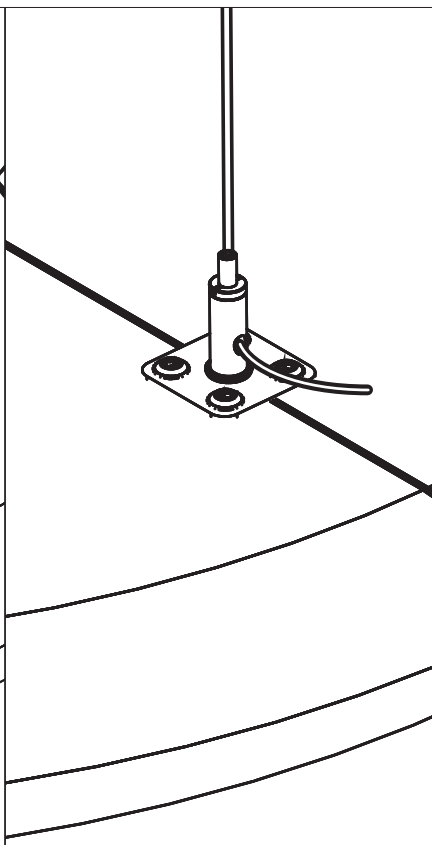
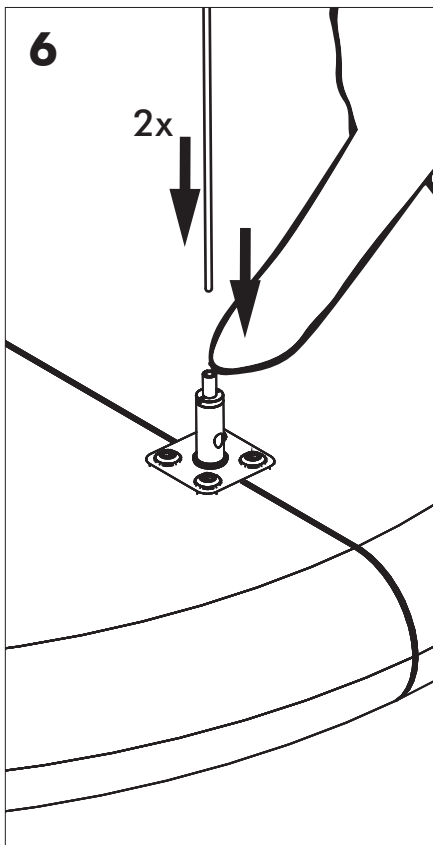
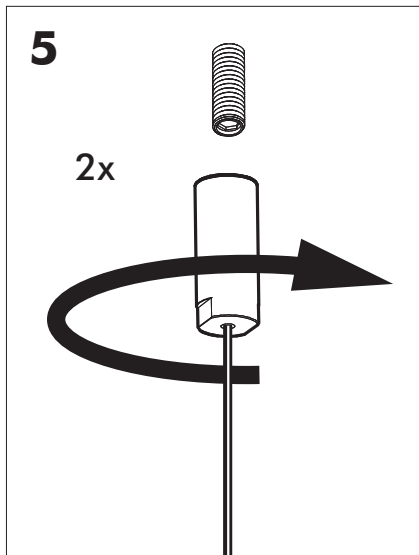
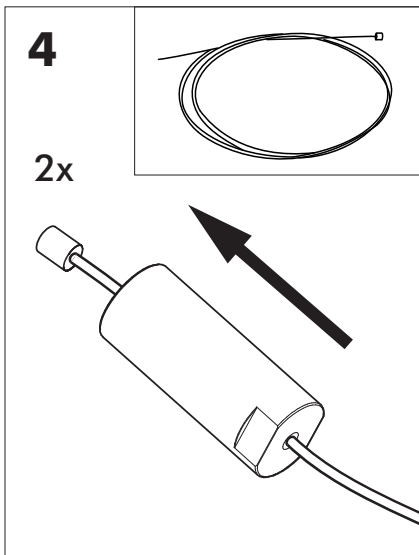
BuzziSurf Small | Medium | Large

2 PERS. 

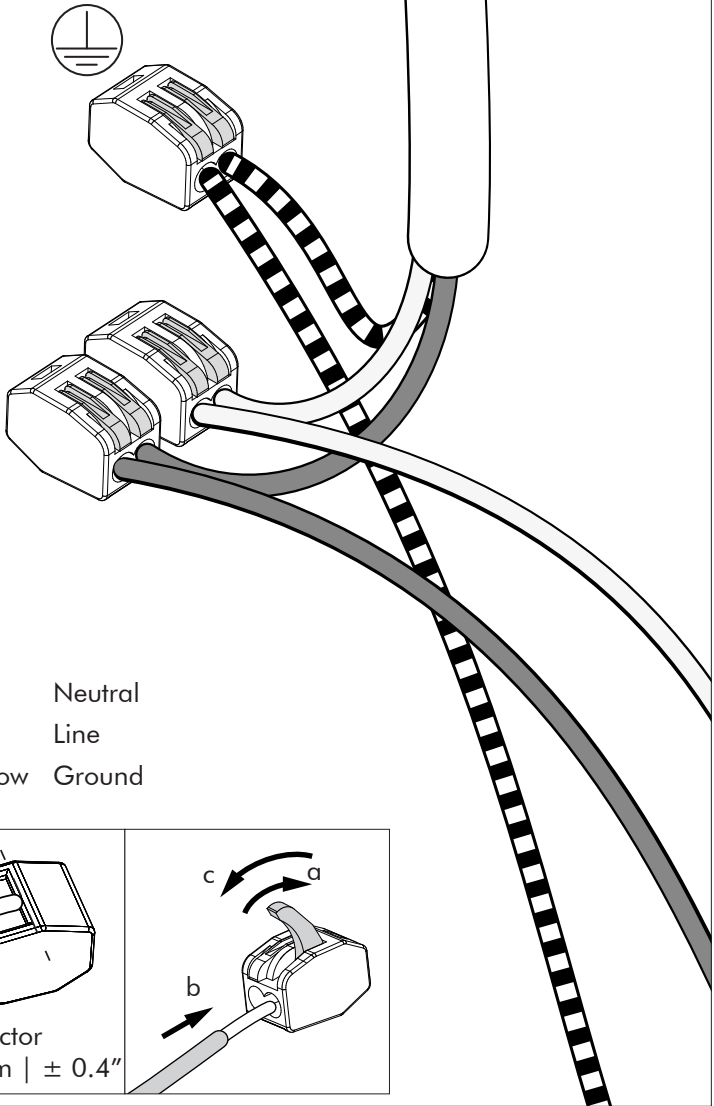


3

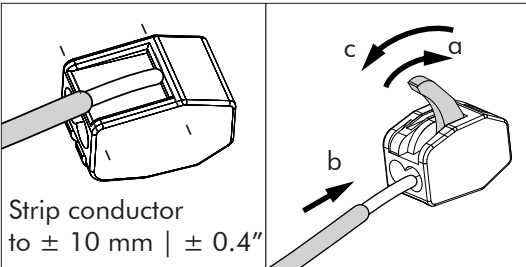




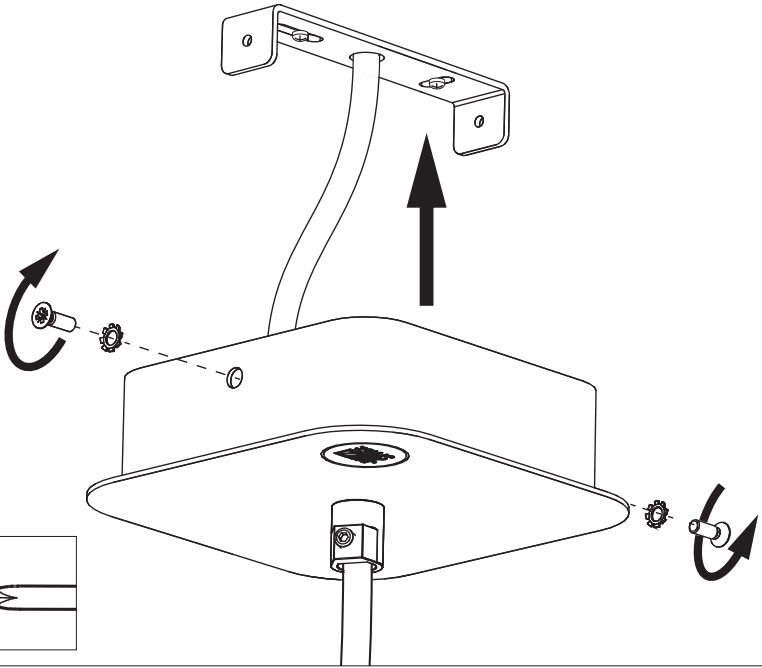
7



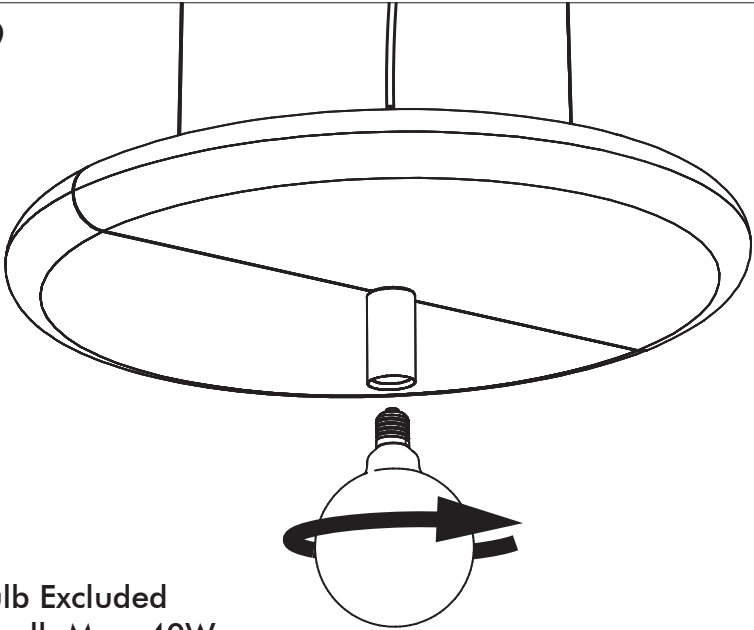
Blue	Neutral
Brown	Line
Green/Yellow	Ground



8

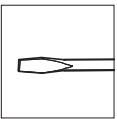
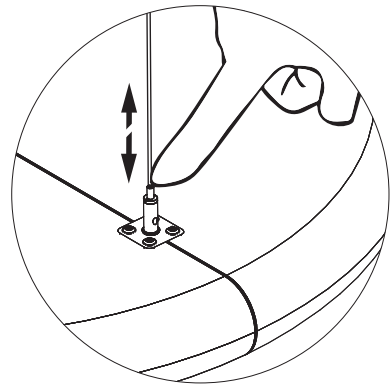
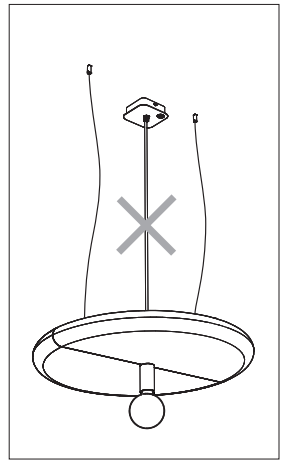
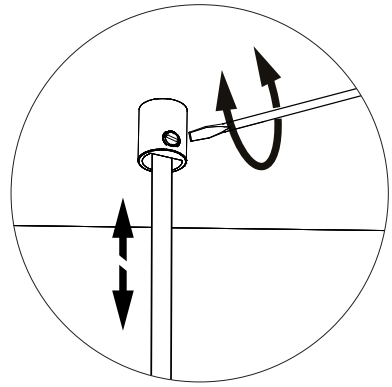
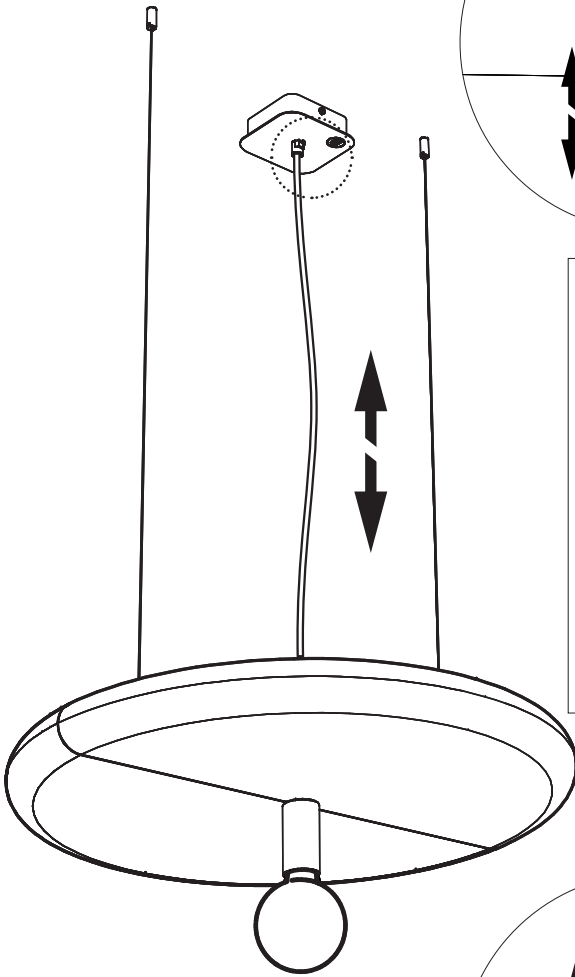


9



Bulb Excluded
Small: Max. 40W
Medium | Large: Max. 60W

!

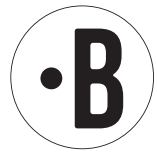


BuzziSpace Group NV
Italiëlei 8, 2000 Antwerp
Belgium

☎ +32 (0)3 846 10 00

✉ info@buzzi.space

🌐 www.buzzi.space



A-0000007941

Last update: 21/02/2024