



Product Specification Sheet

BuzziZepp Light US

— By Alain Gilles

A sleek acoustic light

BuzziZepp Light doubles as a sound-absorbing panel and can be paired with our LED line, either globe or spot iterations of BuzziSol Trio and BuzziSol Quintet, or choose your own bulbs with our retrofit solution. The acoustic light additionally ensures your space has minimal echo and adequate lighting.



The Family

Models

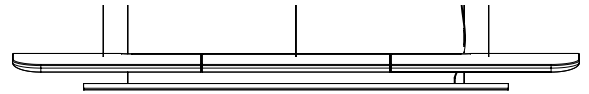
BuzziZepp Light Small

BuzziZepp Light Medium

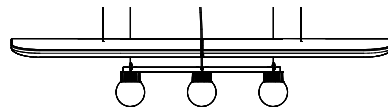
LED Line S



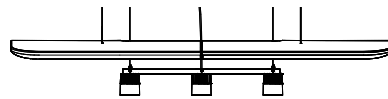
LED Line M



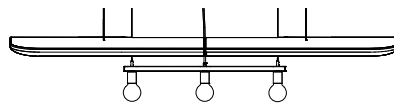
LED Trio Globe



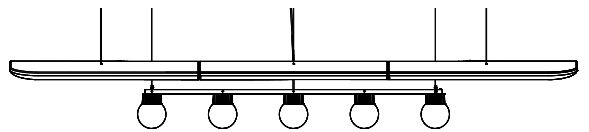
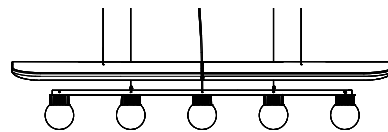
LED Trio Spot



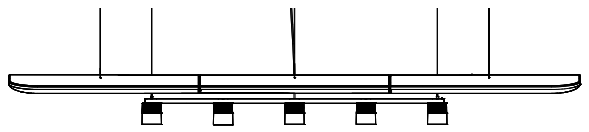
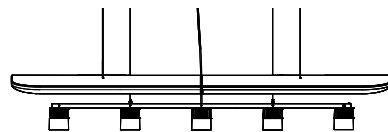
LED Trio Retrofit



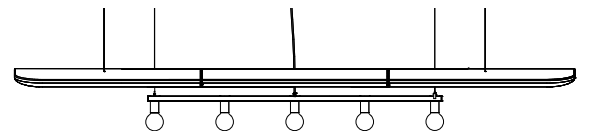
LED Quintet Globe



LED Quintet Spot



LED Quintet Retrofit



Lighting Units

Required order information

1. Size
2. Fabric (CAT -> Collection -> Color)
3. Light Option
4. Mounting Option

Lighting Data

Lighting Units

Retrofit Lighting unit



BuzziSpace LED Line is a slim U-shaped LED profile for continuous direct lighting.

The unit consists of a powder-coated black profile finished with a polycarbonate diffuser.

The LED Lines are available in two sizes: S and M.



BuzziZepp Small retrofit includes 3 x E26 fitting.

BuzziZepp Medium retrofit includes 5 x E26 fitting.

Bulb excluded, Max. 100W

LED Globe



The LED fixtures consists of 3 or 5 powder-coated black heatsinks with LED chip on board (COB) light source(s).

The product can be finished with a frosted glass globe diffuser which spreads the light in a large beam angle of 170°, enlighting the surroundings or a reflector spot adaptor directing the light with a beam angle of 38° downwards.

LED Spot



BuzziZepp Light

Model: Small (Length 200 - Width 117 cm)

Lighting Options

Lighting Options		Characteristics				Mounting	
Lighting Unit	Voltage Input	Color Temperature	UGR (Diffuser type)	Dimming	Technical	Visual Options	
LED Line S	120 - 277V	3000K	23	1-10V	Power consumption: 33W Light output: 2300 Lm Efficacy: 71 Lm/W CRI: > 90	Color: Power Cable: Black Ceiling Canopy: Black	4 cables of 78.74" or 196.85" Alu or Black
		2700K (On request)	24	1-10V	Power consumption: 33W Light output: 2300 Lm Efficacy: 71 Lm/W CRI: > 90		

Lighting Options

Lighting Options		Characteristics		Mounting
Lighting Unit	Voltage Input	Technical	Visual	Options
Retrofit Trio	110-120V	Wattage: 3 x Max. 100W	Color: Power Cable: Black Ceiling Canopy: Black	4 cables of 78.74" or 196.85" Alu or Black

Lighting Options

Lighting Options		Characteristics				Mounting	
Lighting Unit	Voltage Input	Color Temperature	UGR (Diffuser type)	Dimming	Technical	Visual Options	
LED Trio	100 - 240V/277V	3000K	23 (Globe)	1-10V	Power consumption: 51W Light output: 3 x1500 Lm Efficacy: 88 Lm/W CRI: > 90	Color: Power Cable: Black Ceiling Canopy: Black	4 cables of 78.74" or 196.85" Alu or Black
			12 (Spot)	1-10V	Power consumption: 51W Light output: 3 x1500 Lm Efficacy: 88 Lm/W CRI: > 90		

Model: Medium (Length 300 - Width 117 cm)

Lighting Options

Characteristics

Mounting

Lighting Unit	Voltage Input	Color Temperature	Characteristics			Visual	Options
			UGR (Diffuser type)	Dimming	Technical		
LED Line M	120 - 277V	3000K	23	1-10V	Power consumption: 65W Light output: 4600 Lm Efficacy: 71 Lm/W CRI: > 90	Color: Power Cable: Black Ceiling Canopy: Black	6 cables of 78.74" or 196.85" Alu or Black
		2700K (On request)	24	1-10V	Power consumption: 65W Light output: 4600 Lm Efficacy: 71 Lm/W CRI: > 90		

Lighting Options

Characteristics

Mounting

Lighting Unit	Voltage Input	Characteristics			Visual	Options
		Technical	Dimming	Technical		
Retrofit Quintet	110-120V			Wattage: 5 x Max. 100W	Color: Power Cable: Black Ceiling Canopy: Black	6 cables of 78.74" or 196.85" Alu or Black

Lighting Options

Characteristics

Mounting

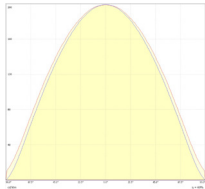
Lighting Unit	Voltage Input	Color Temperature	Characteristics			Visual	Options
			UGR (Diffuser type)	Dimming	Technical		
LED Quintet	100 - 240V/277V	3000K	23 (Globe)	1-10V	Power consumption: 90W Light output: 5 x 1500 Lm Efficacy: 92 Lm/W CRI: > 90	Color: Power Cable: Black Ceiling Canopy: Black	6 cables of 78.74" or 196.85" Alu or Black
			12 (Spot)	1-10V	Power consumption: 90W Light output: 5 x 1500 Lm Efficacy: 92 Lm/W CRI: > 90		



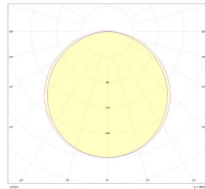
Photometric Data

BuzziZepp Light Led Line

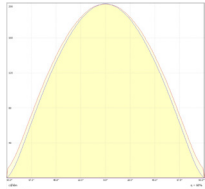
LED Line S Cartesian diagram



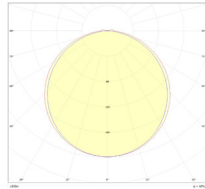
LED Line S Polar curve



LED Line M Cartesian diagram

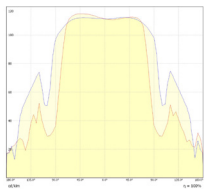


LED Line M Polar curve

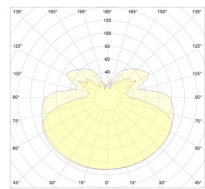


BuzziZepp Light BuzziSol Trio

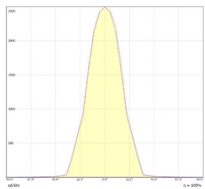
LED Trio Globe Cartesian diagram



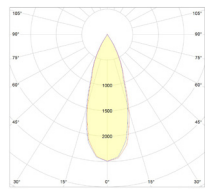
LED Trio Globe Polar curve



LED Trio Spot Cartesian diagram

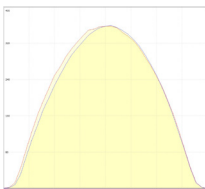


LED Trio Spot Polar curve

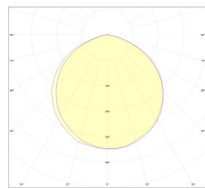


BuzziZepp Light BuzziSol Quintet

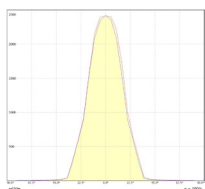
LED Quintet Globe Cartesian diagram



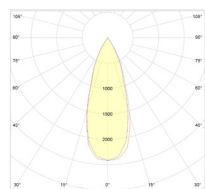
LED Quintet Globe Polar curve



LED Quintet Spot Cartesian diagram



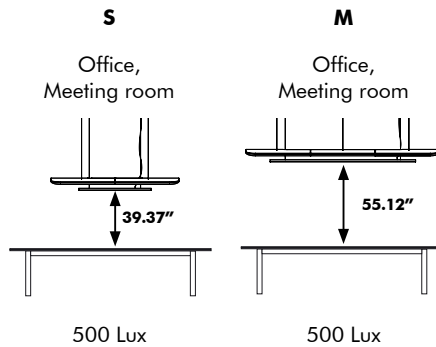
LED Quintet Spot Polar curve



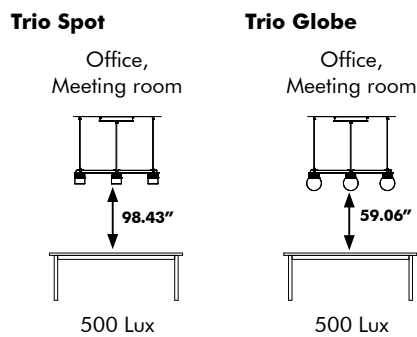
Tips and tricks - Light Options

To enlighten your workplace with optimal lux levels take following measurements into account:

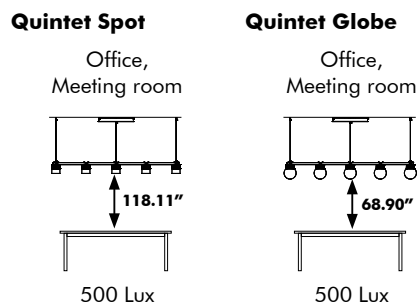
BuzziZepp Light LED Line



BuzziZepp Light BuzziSol Trio



BuzziZepp Light BuzziSol Quintet

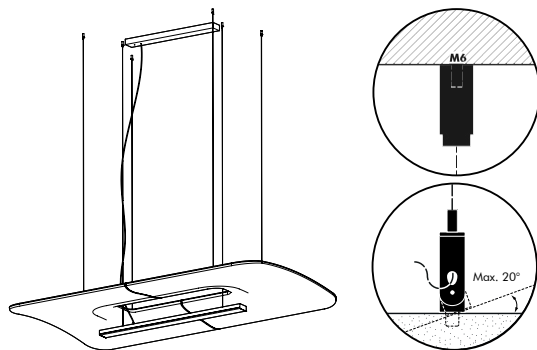


* According to EN12464

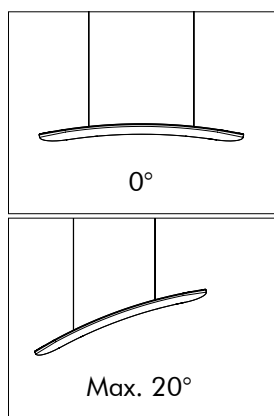
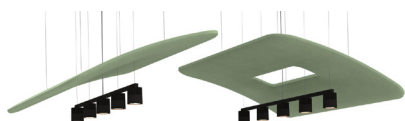
Product Data

Fixing System

Fixing System Acoustic Panel



4 (Small) or 6 (Medium) cables of 78.74" - 196.85" black or alu colored cables



The acoustic panel can be mounted straight or slanted, with a maximum angle of 20° to create a more secluded setting.



Fixing System Lighting

All light elements are suspended independently from the acoustic panel with 2 cables.

Formations, as with other architectural features located in the ceiling plane, may obstruct or skew the existing or planned fire sprinkler water distribution pattern, or possibly delay the activation of the fire sprinkler or fire detection system. Designers and installers are advised to consult a protection engineer, NFPA 13, and their local codes for guidance on the proper installation techniques where detection or suppression systems are present.

- ⚠ The product must be suspended on a solid structure or ceiling, taking into account the weight of the product and the local regulation.

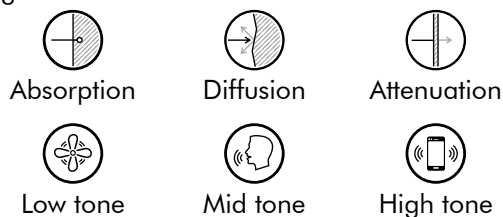
Acoustic Panel



The acoustic panel is upholstered front to back in a chosen fabric.

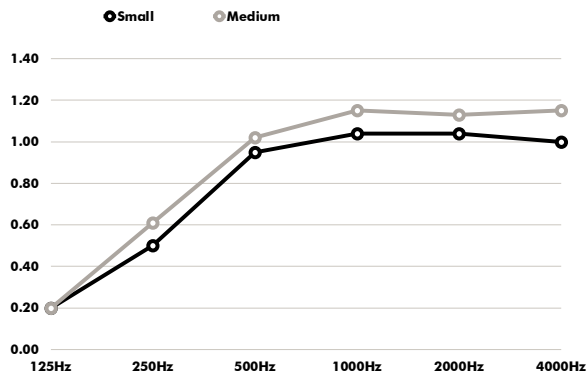
Core: poplar multiplex

Filling: acoustic foam



Acoustics Data

BuzziZepp Absorption coefficient



Hz	α Small	α Medium
125	0.20	0.20
250	0.50	0.61
500	0.95	1.02
1000	1.04	1.15
2000	1.04	1.13
4000	1.00	1.15

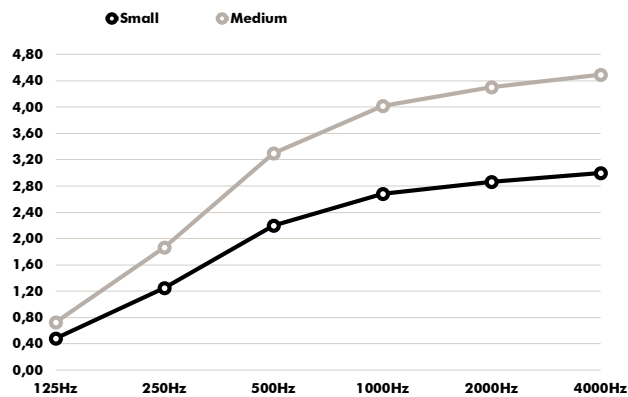
Absorption Values Small

α (ISO 11654) **0.80** NRC | (ASTM - C423) **0.90** | SAA (ASTM - C423) **0.88** | Class (ISO 11654) **A**

Absorption Values Medium

α (ISO 11654) **0.90** | NRC (ASTM - C423) **1.00** | SAA (ASTM - C423) **0.98** | Class (ISO 11654) **A**

Equivalent sound absorption area in m² per object



Hz	Aeq/m ² Small	Aeq/m ² Medium
125	0.48	0.73
250	1.25	1.87
500	2.20	3.30
1000	2.68	4.02
2000	2.86	4.30
4000	3.00	4.49

All calculations are based on accredited lab measurements, official document available on www.buzzi.space

Definitions

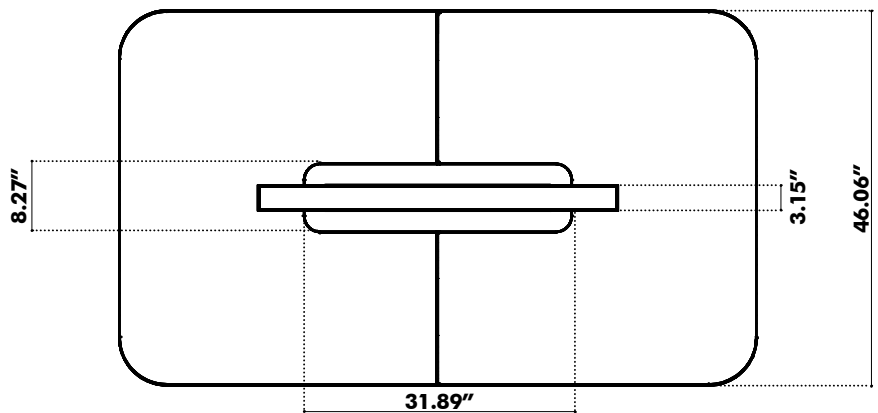
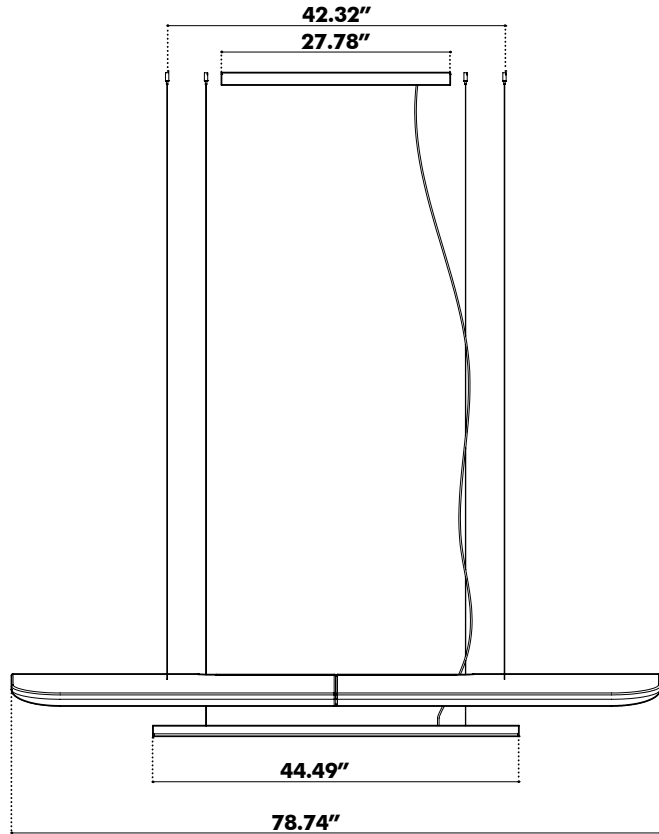
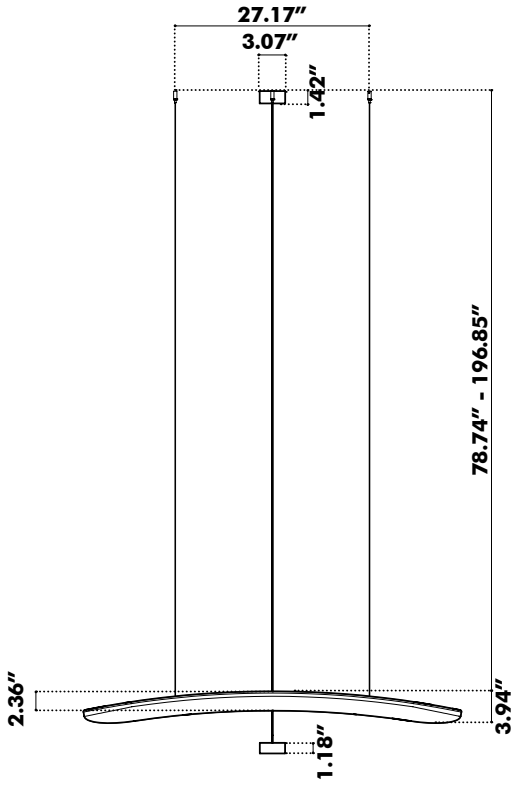
α	Weighted absorption coefficient	(ISO 11654)
NRC	Noise reduction coefficient	(ASTM - C423)
SAA	Sound absorption average	(ASTM - C423)

Classification of sound absorbers NEN-EN-ISO 11654

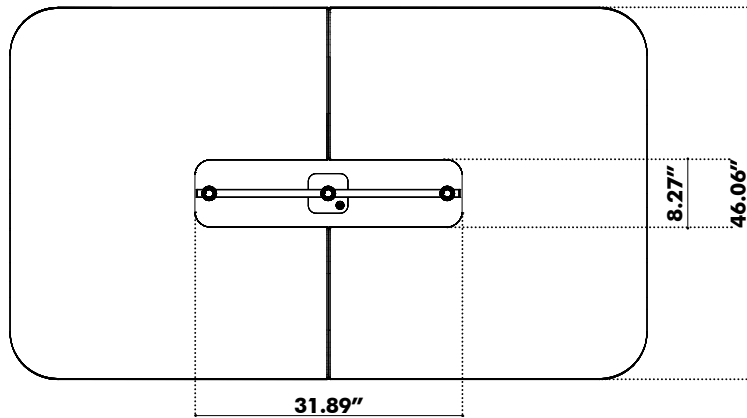
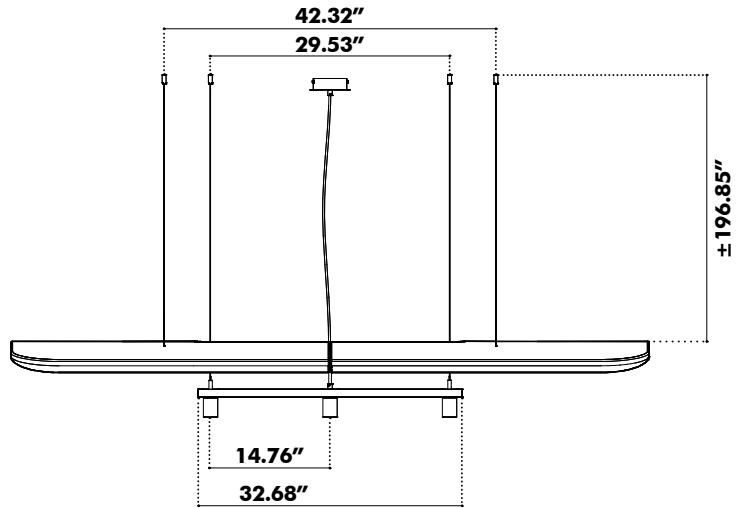
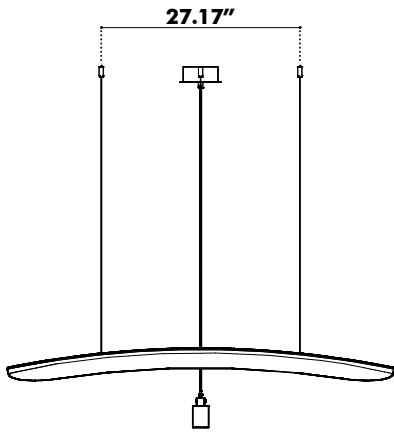
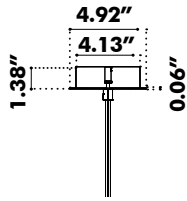
A	0.90 0.95 1.0
B	0.80 0.85
C	0.60 0.65 0.70 0.75
D	0.03 0.55
E	0.15 0.25

Dimensions

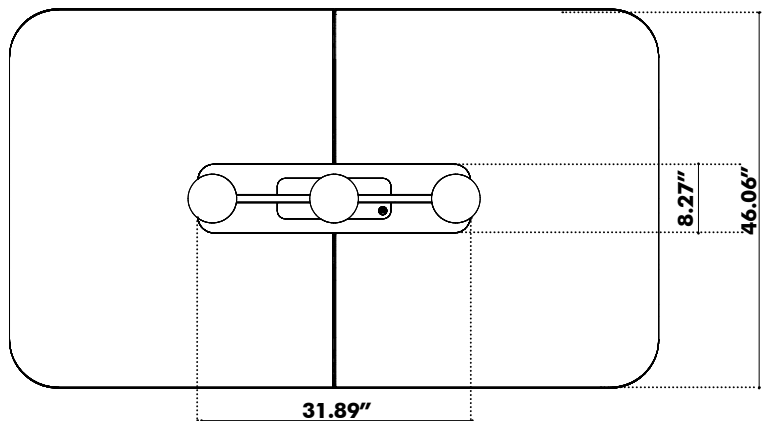
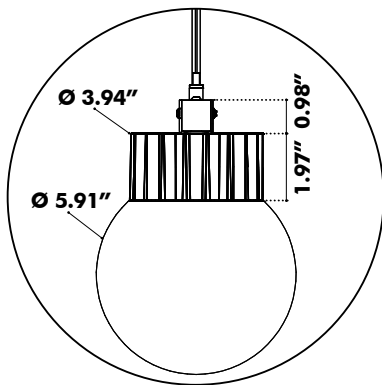
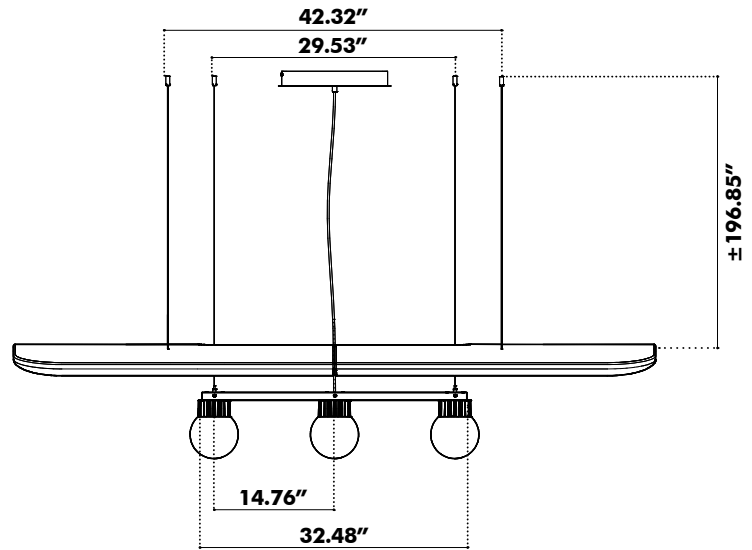
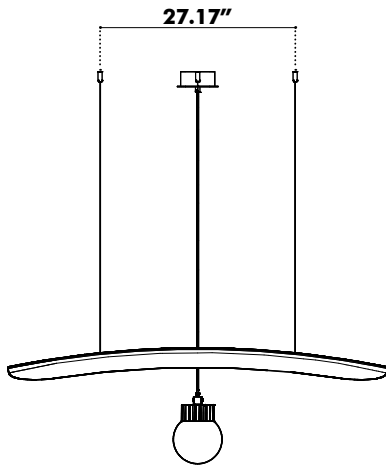
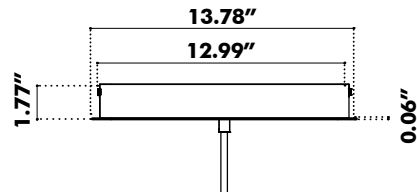
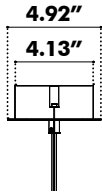
Small
LED Line S



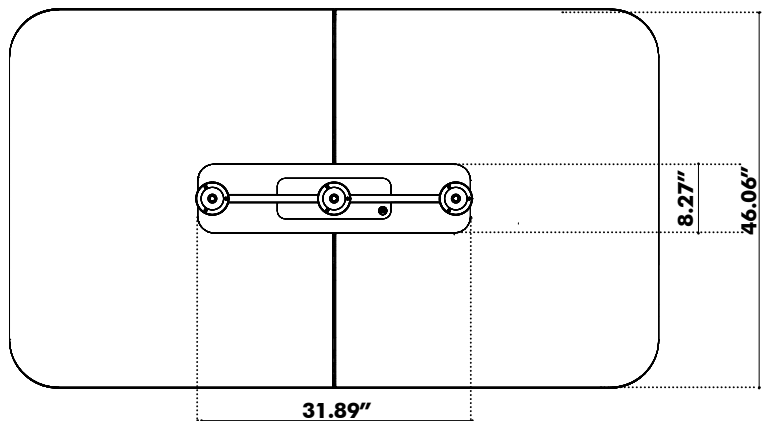
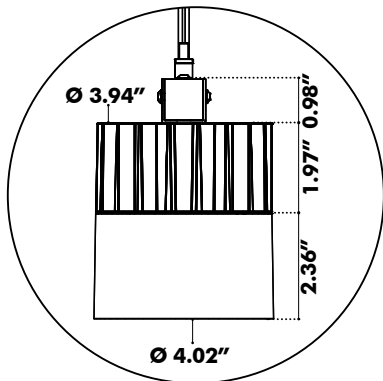
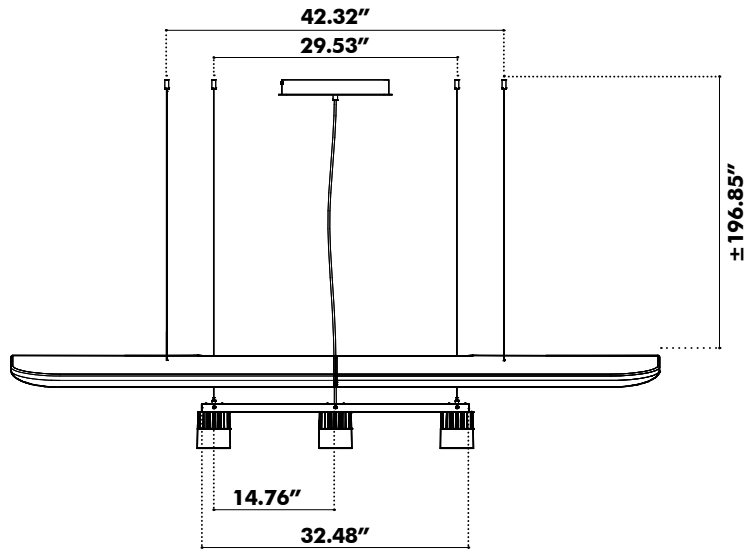
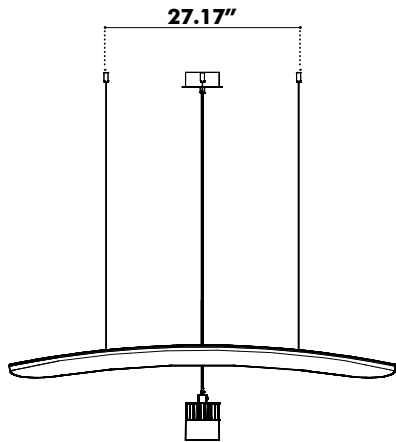
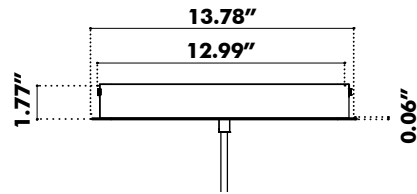
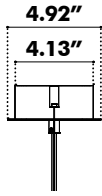
**Small
Sol Trio Retrofit**



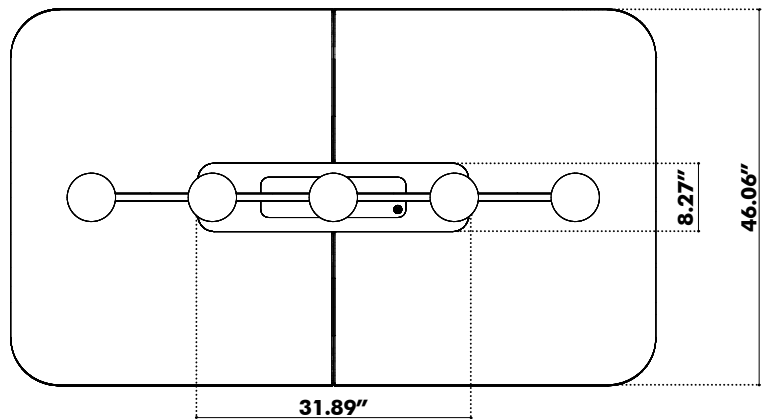
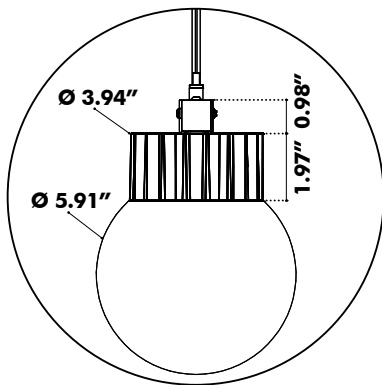
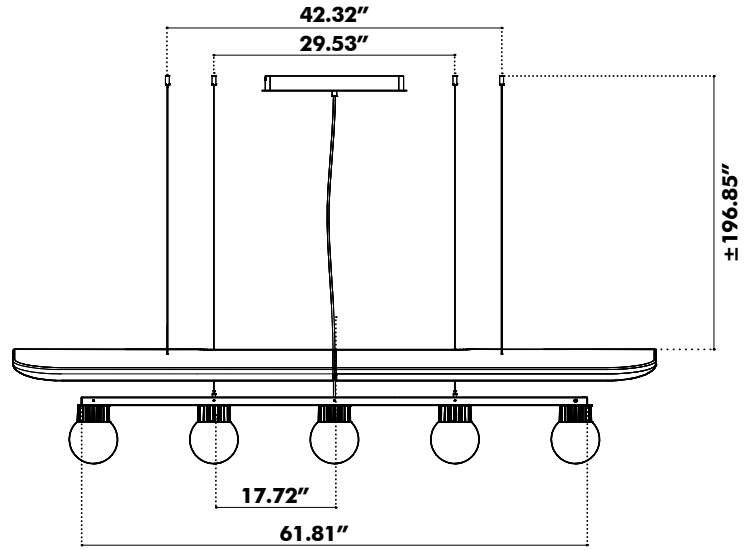
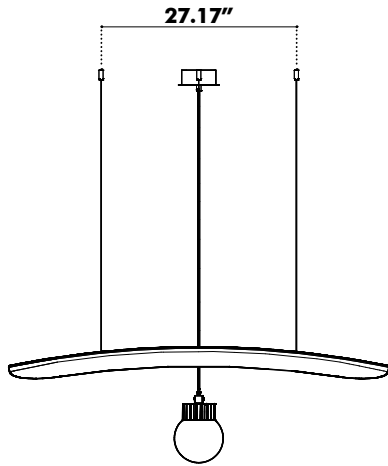
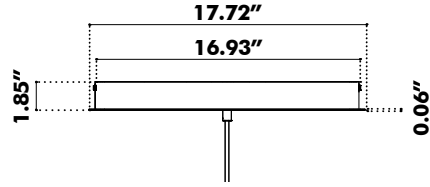
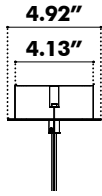
**Small
LED Trio Globe**



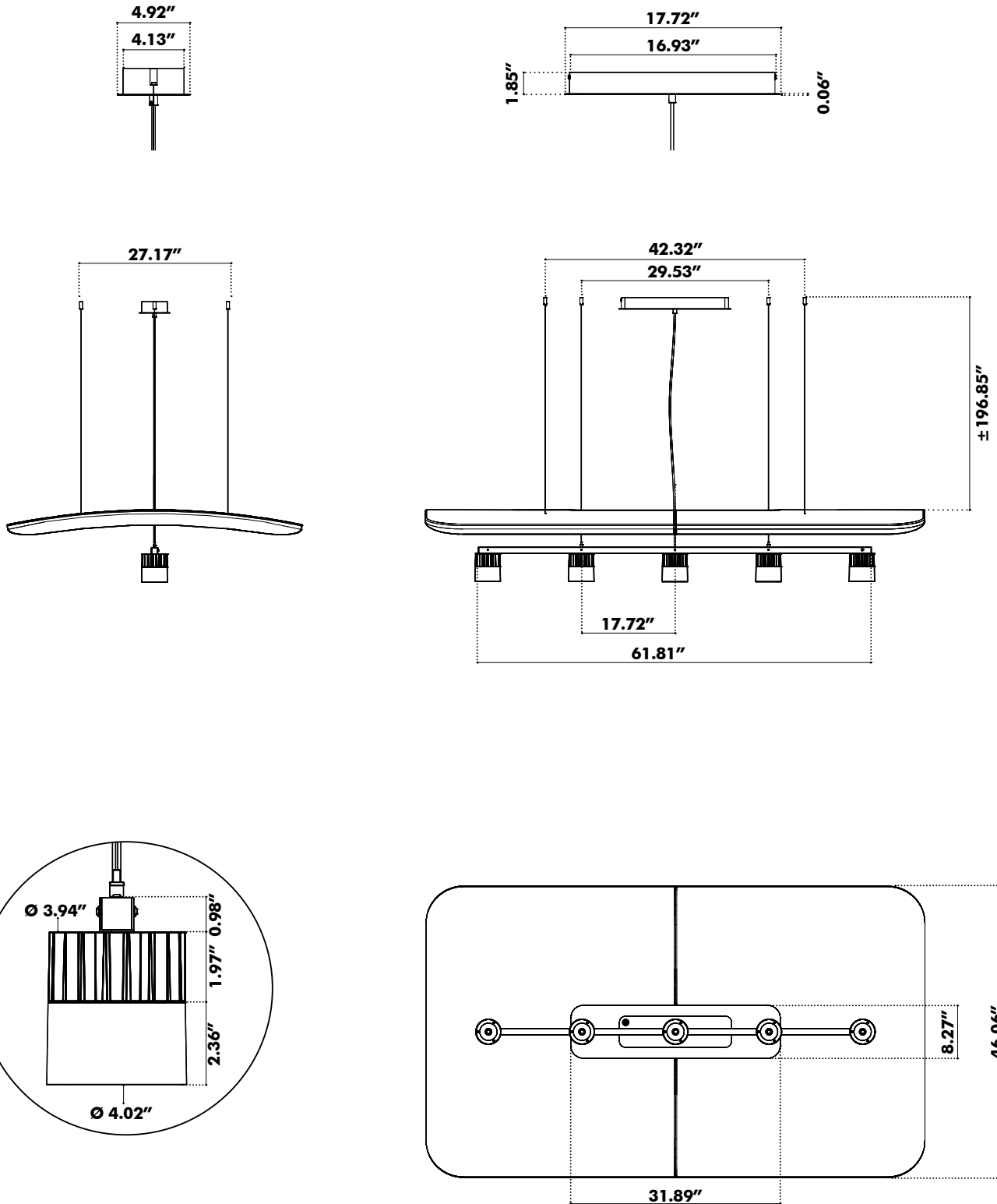
**Small
LED Trio Spot**



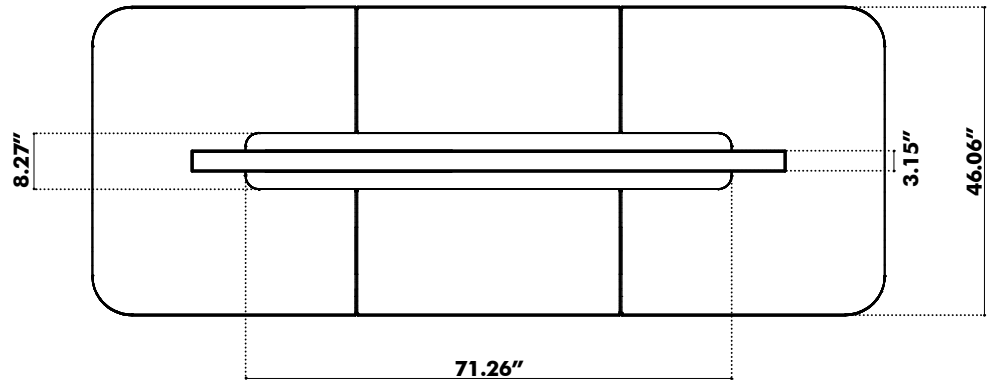
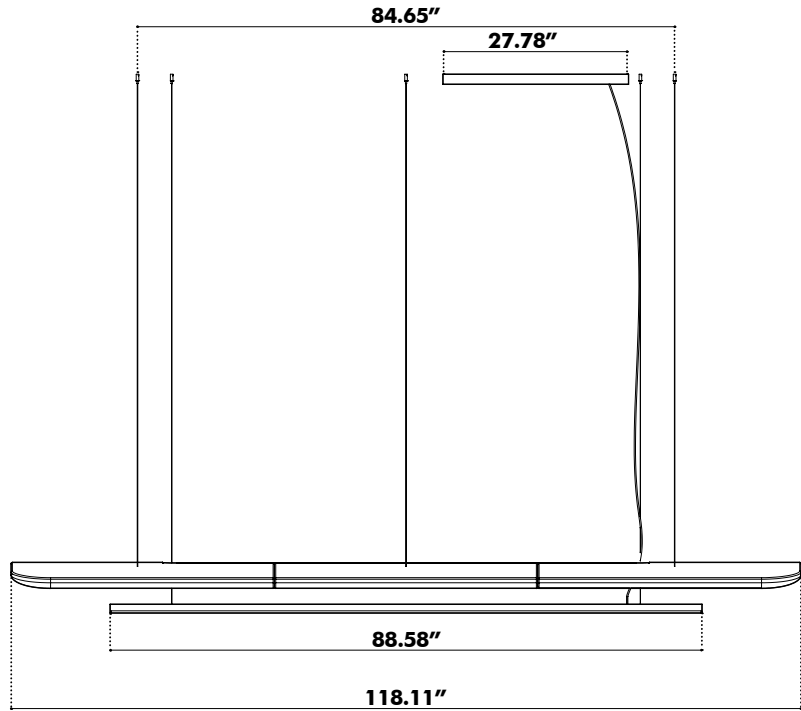
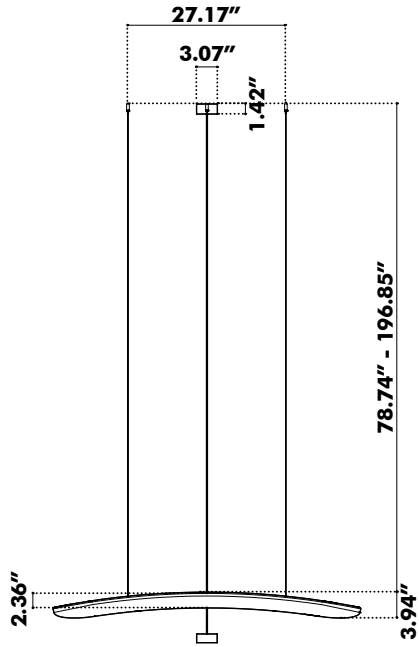
**Small
LED Quintet Globe**



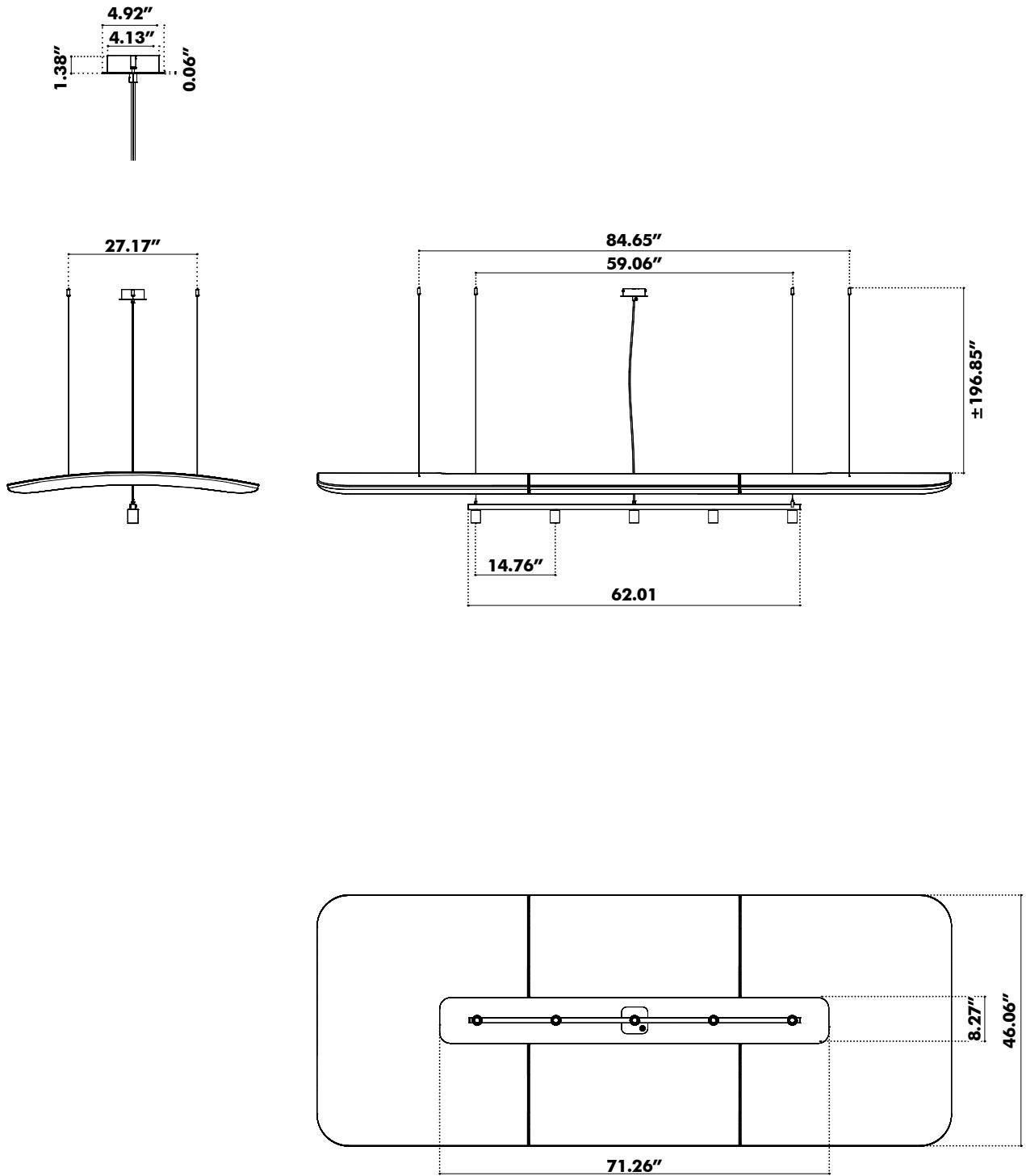
**Small
LED Quintet Spot**



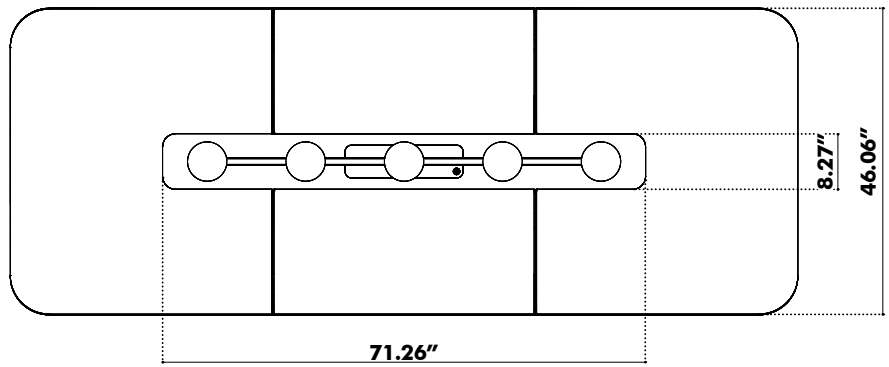
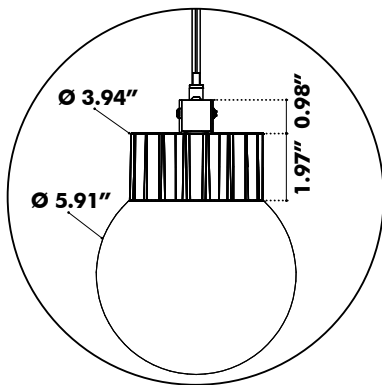
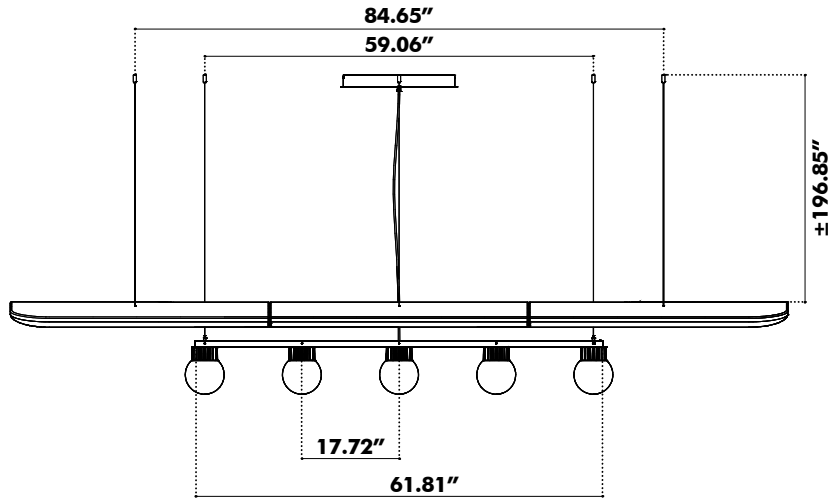
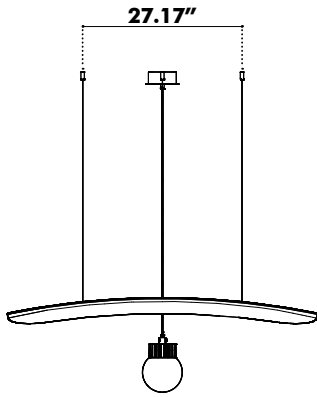
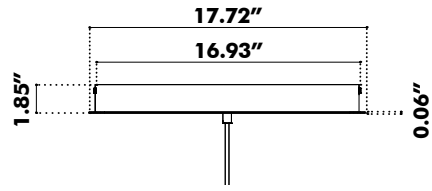
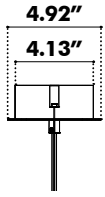
**Medium
LED Line M**



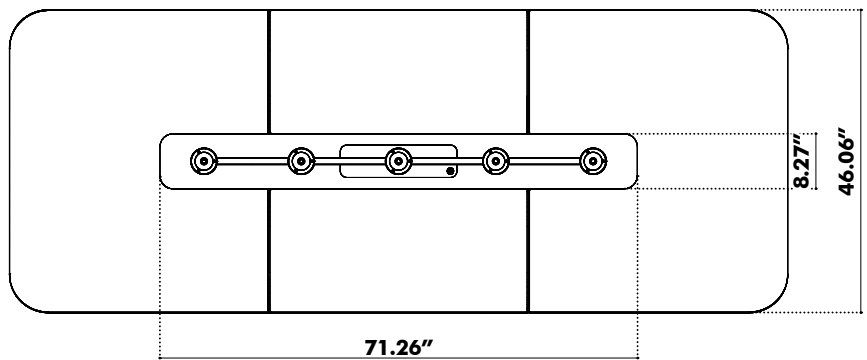
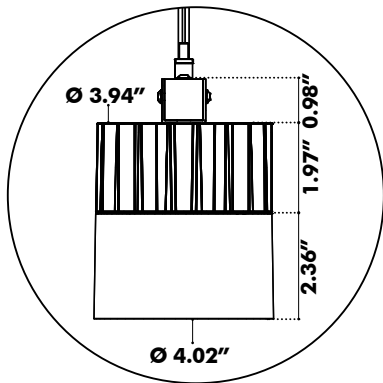
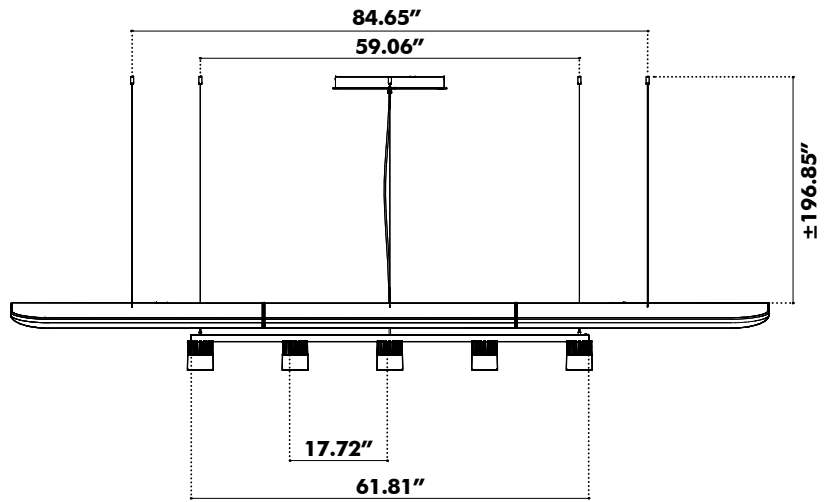
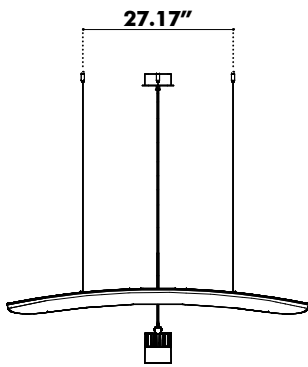
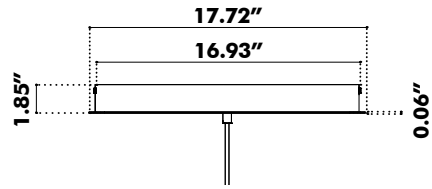
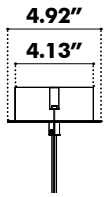
**Medium
Sol Quintet Retrofit**



**Medium
LED Quintet Globe**



**Medium
LED Quintet Spot**



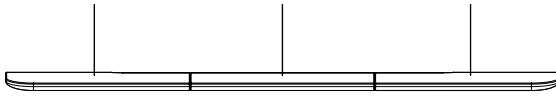
Weights

Acoustic Panel BuzziZepp Light Small



47.40 lbs

Acoustic Panel BuzziZepp Light Medium



69.23 lbs

Led Line S



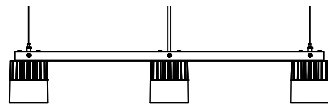
4.41 lbs

LED Line M



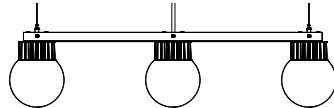
8.82 lbs

BuzziSol Trio Spot



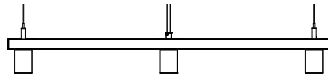
10.80 lbs

BuzziSol Trio Globe



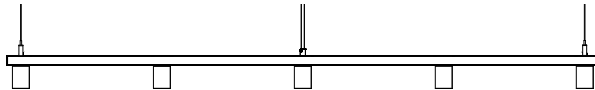
10.80 lbs

BuzziSol Trio Retrofit



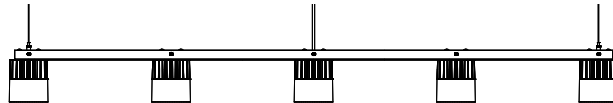
5.51 lbs

BuzziSol Quintet Retrofit



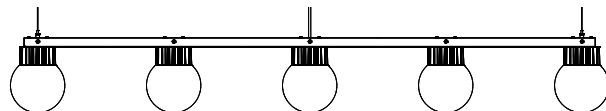
7.72 lbs

BuzziSol Quintet Spot



16.31 lbs

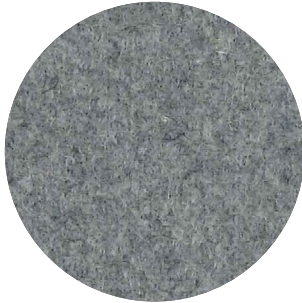
BuzziSol Quintet Globe



16.31 lbs

Fabrics

Fabric (45 colors)



Category A

Composition 70% Recycled Wool, 25% Recycled Polyacryl,
5% Recycled Other Fabrics

Weight 405 g/m² | 11.94 oz/yd²

Abrasion resistance 40.000 Martindale, 50,000 Wyzenbeek

Flammability EU: EN 1021.1/2006 | BS EN 1021.1/2006 (cigarette).
EN 1021.2/2006 | BS EN 1021.2/2006 (match)
USA: CAL TB 117 | ASTM E84 CLASS A

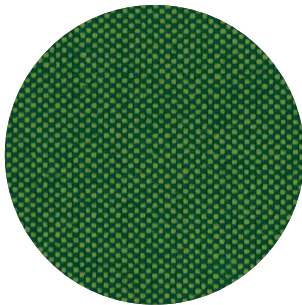
Fastness to light EU: 4 | USA 4

Fastness to rubbing EU: Wet 3-4 | Dry 4-5

Fastness to crocking USA: Wet 5 | Dry 5



Trevira CS+ | CS (47 colors)



Category A

Weight 420 g/m² | 12.39 oz/yd²

Composition 100% Polyester, Trevira CS

Abrasion resistance 100.000 Martindale, 90,000 Wyzenbeek

Flammability BS 5852 part II: CRIB 5 | BS 7176 Medium Hazard
USA: CAL TB 117 | M1 | B1 | EN 1021/1-2 | C1 |
IMO Res. A652 (16)

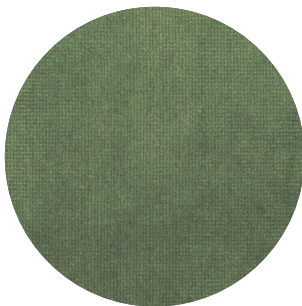
Fastness to light EU: 6 | USA 5

Fastness to rubbing EU: Wet 4-5 | Dry 4-5

Fastness to crocking USA: Wet 5 | Dry 5



Velvet (12 colors)



Category B

Composition 100% PES

Weight 375 g/m² | 11.06 oz/yd²

Abrasion resistance > 100.000 Martindale

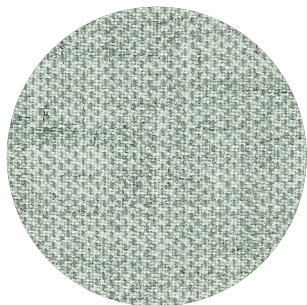
Fastness to light EU: 4-5

Fastness to rubbing EU: Wet 4 | Dry 4-5

Pilling EU: 4-5

Clara 2 (24 colors)

kvadrat



Category B

Composition 92% new wool, 8% nylon

Weight 400 g/lin.m

Abrasion resistance 80.000 Martindale rubs, EN ISO 12947

Flammability EN 1021-1/2 | BS 5852, ignition source 2-3 | DIN 4102 B2
NF D 60 013 | UNI 9175 11M | US Cal. Tech. Bull. 117, Sec. E
NFPA 260 | IMO A.652(16)

Fastness to light Note 5-7, ISO 105-B02

Fastness to rubbing (ISO) dry 4-5, wet 4

Pilling Note 4, EN ISO 12945



Remix 3 (73 colors)

kvadrat



Category B

Composition 90% new wool, 10% nylon

Weight 415 g/lin.m

Abrasion resistance 100.000 Martindale rubs, EN ISO 12947

Flammability EN 1021-1/2 | BS 5852 part 1
Önorm B1/Q1 | NF D 60 013 | UNI 9175, 11M
AS/NZS 1530.3 | Cal. Tech. Bull. 117-2013
NFPA 260 | IMO FTP Code 2010:Part 8

Fastness to light Note 5-7, ISO 105-B02

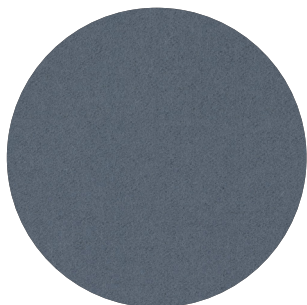
Fastness to rubbing (ISO) dry 4-5, wet 4

Pilling Note 4, EN ISO 12945



Hero 2 (33 colors)

kvadrat



Category C

Composition 97% new wool, 3% nylon

Weight 580 g/lin.m

Abrasion resistance 45.000 Martindale rubs, EN ISO 12947

Flammability EN 1021-1/2 | DIN 4102 B2 | NF D 60 013
UNI 9175 11M | US Cal. Bull. 117-2013 | NFPA 260
IMO A.652 (16)

Fastness to light Note 5-6, ISO 105-B02

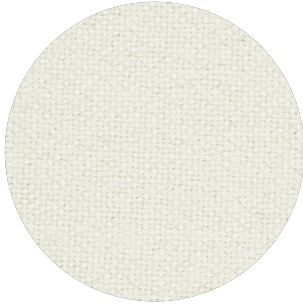
Fastness to rubbing (ISO) dry 4-5, wet 4-5

Pilling Note 3-4, EN ISO 12945



Tonus 4 (47 colors)

kvadrat



Category D

Composition 90% new wool, 10% Helanca

Weight 665 g/lin.m

Abrasion resistance 100.000 Martindale rubs, EN ISO 12947

Flammability EN 1021-1/2 | BS 5852 part 1 | DIN 4102 B2

Önorm B1/Q1 | NF D 60 013 | UNI 9175 11M

US Cal. Bull. 117-2013 | NFPA 260 | IMO A.652 (16)

Fastness to light Note 5-7, ISO 105-B02

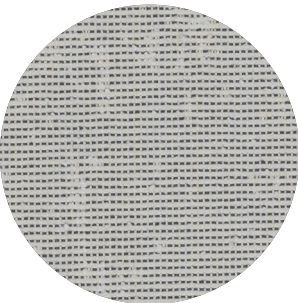
Fastness to rubbing (ISO) dry 3-5, wet 3-5

Pilling Note 3, EN ISO 12945



Memory 2 (20 colors)

kvadrat



Category E

Composition 100% Trevira CS

Weight 700 g/lin.m

Abrasion resistance

35.000 rubs acc. to the Martindale method, EN ISO 12947

Flammability EN 1021-1/2 | DIN 4102 B1 | Önorm B1/Q1

NF D 60 013 | NF P 92 507 M1 | UNI 9175 11M

UNI 9177 classe 1 | US Cal. Tech. Bull. 117

IMO A.652 (16)

Fastness to light Note 5-8, ISO 105-B02

Fastness to rubbing (ISO) dry 4-5, wet 4-5

Pilling Note 4, EN ISO 12945

