
BuzziTube

Product Specification Sheet

This document contains technical information about the BuzziTube



www.buzzi.space







Create different atmospheres

BuzziTube's voluminous geometric design finds a perfect balance between a suspended acoustic ceiling panel and a work of art. Due to its 3-dimensional, yet soft and delicate look, BuzziTube instantly elevates any modern residential or commercial space while absorbing excessive noise.

The acoustic solution can be used as a standalone or combined with our BuzziJet family or any pre-existing lighting units to create a dynamic touch in any open space. BuzziTube arrives in seven different models and can be upholstered in a wide range of fabrics and colors, making it easy to suit your needs. Additionally, the cable is colored in either a discreet black or alu, so it will not overpower any pre-existing design.

Design by BuzziSpace Studio

General

-  Ceiling Suspended
S | M | L | XL | XXL | 3XL | 4XL
-  Upholstered acoustic foam element
Powder coated metal frame in white (RAL 9010)
Cover: Fabric, Trevira CS+ | CS, Revive 1, Clara 2, Remix 3, Hero 2, Tonus 4, Memory 2
-  Dry Use
-  Assembled
-  Ceiling Suspended Straight or Split (only available for BuzziTube S | M)
-  If installing on suspended ceiling, verify load capacity prior to installation.

Certifications



Acoustics



Absorption



Diffusion



Low Tone



Mid Tone



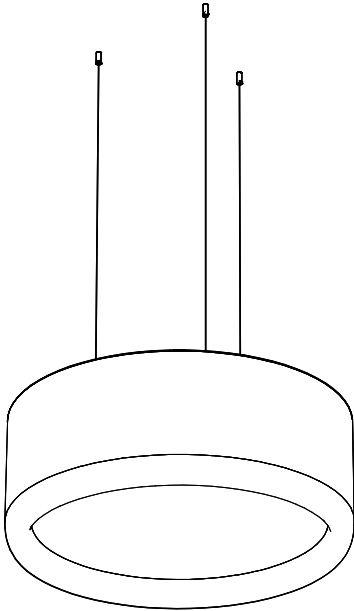
High Tone

Content

Configurations	3
Mounting	5
Fabrics	6
Dimensions	9
Acoustics	13

Configuration

BuzziTube S



📍 Ceiling Suspended

Upholstered acoustic foam element

Powder coated metal frame in white (RAL 9010)



Cover: Fabric, Trevira CS+ | CS, Revive 1, Clara 2, Remix 3, Hero 2, Tonus 4, Memory 2



Ø 80 cm H: 22,5 cm
Ø 31.50" H: 8.86"



5,7 kg | 12.57 lbs



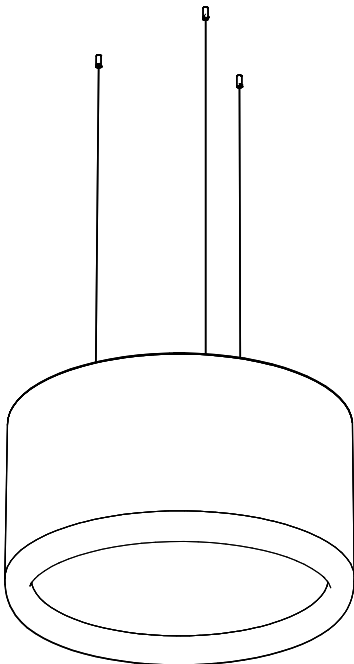
Ceiling Suspended Straight or Split

3x black or alu cables 2 or 5 m | 78.74" or 196.85"



If installing on suspended ceiling, verify load capacity prior to installation.

BuzziTube M



📍 Ceiling Suspended

Upholstered acoustic foam element

Powder coated metal frame in white (RAL 9010)



Cover: Fabric, Trevira CS+ | CS, Revive 1, Clara 2, Remix 3, Hero 2, Tonus 4, Memory 2



Ø 80 cm H: 45 cm
Ø 31.50" H: 17.72"



6,8 kg | 14.99 lbs



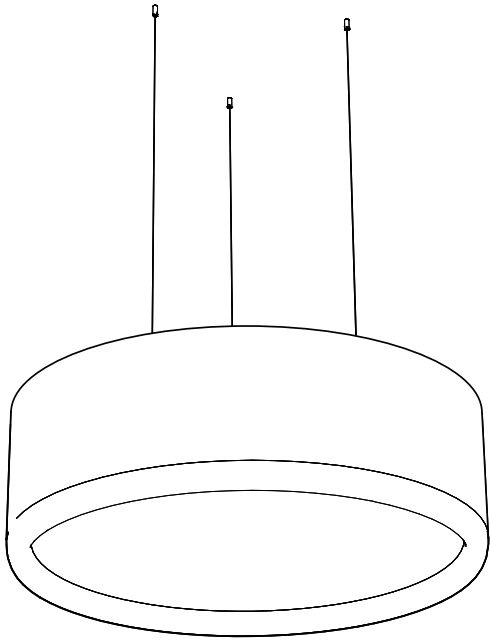
Ceiling Suspended Straight or Split

3x black or alu cables 2 or 5 m | 78.74" or 196.85"



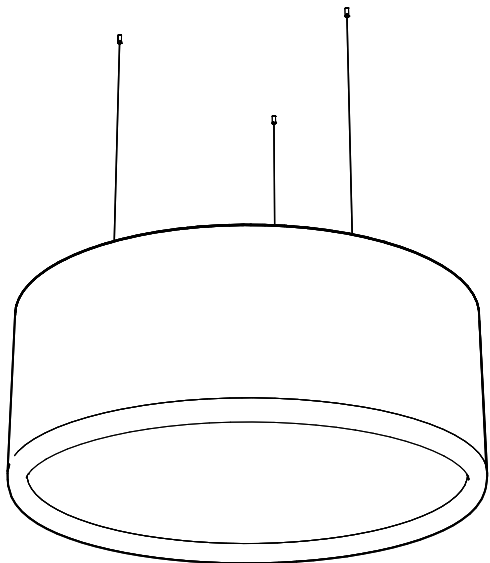
If installing on suspended ceiling, verify load capacity prior to installation.

BuzziTube L



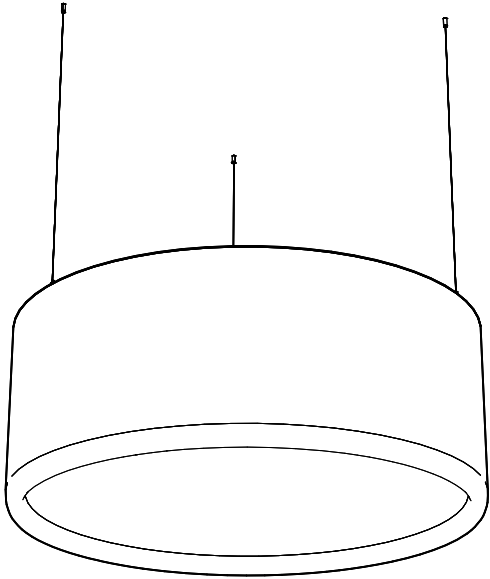
- ◆ Ceiling Suspended
- Upholstered acoustic foam element
- 🌲 Powder coated metal frame in white (RAL 9010)
- Cover: Fabric, Trevira CS+ | CS, Revive 1, Clara 2, Remix 3, Hero 2, Tonus 4, Memory 2
- ✂ Ø 120 cm H: 40 cm
Ø 47.2" H: 15.75"
- ⚖ 11 kg | 24.25 lbs
- ⋮ Ceiling Suspended Straight
3x black or alu cables 2 or 5 m | 78.74" or 196.85"
- ⚠ If installing on suspended ceiling, verify load capacity prior to installation.

BuzziTube XL



- ◆ Ceiling Suspended
- Upholstered acoustic foam element
- 🌲 Powder coated metal frame in white (RAL 9010)
- Cover: Fabric, Trevira CS+ | CS, Revive 1, Clara 2, Remix 3, Hero 2, Tonus 4, Memory 2
- ✂ Ø 120 cm H: 52,5 cm
Ø 47.24" H: 20.67"
- ⚖ 13 kg | 28.66 lbs
- ⋮ Ceiling Suspended Straight
3x black or alu cables 2 or 5 m | 78.74" or 196.85"
- ⚠ If installing on suspended ceiling, verify load capacity prior to installation.

BuzziTube XXL



🔪 Ceiling Suspended

Upholstered acoustic foam element



Powder coated metal frame in white (RAL 9010)

Cover: Fabric, Trevira CS+ | CS, Revive 1, Clara 2, Remix 3, Hero 2, Tonus 4, Memory 2



Ø 150 cm H: 60 cm

Ø 59.06" H: 23.62"



18 kg | 39.68 lbs



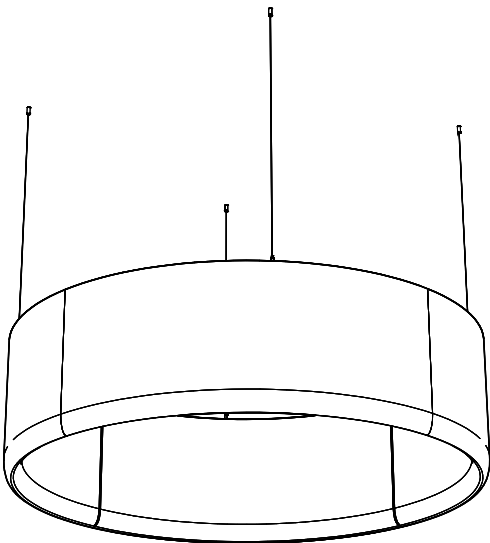
Ceiling Suspended Straight

3x black or alu cables 2 or 5 m | 78.74" or 196.85"



If installing on suspended ceiling, verify load capacity prior to installation.

BuzziTube 3XL



🔪 Ceiling Suspended

Upholstered acoustic foam element



Powder coated metal frame in white (RAL 9010)

Cover: Fabric, Trevira CS+ | CS, Revive 1, Clara 2, Remix 3, Hero 2, Tonus 4, Memory 2



Ø 180 cm H: 52,5 cm

Ø 70.87" H: 20.67"



24 kg | 52.91 lbs



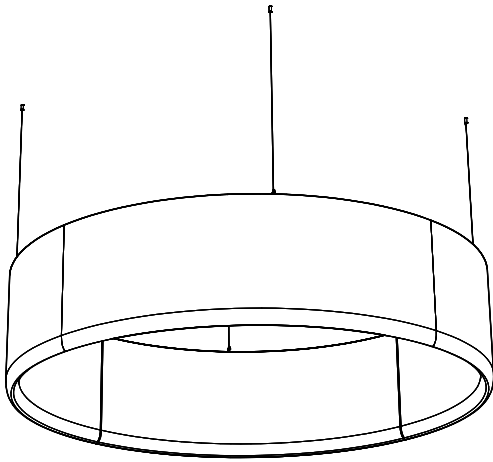
Ceiling Suspended Straight

4 x black or alu cables 2 or 5 m | 78.74" or 196.85"



If installing on suspended ceiling, verify load capacity prior to installation.

BuzziTube 4XL



🔪 Ceiling Suspended

Upholstered acoustic foam element

Powder coated metal frame in white (RAL 9010)



Cover: Fabric, Trevira CS+ | CS, Revive 1, Clara 2, Remix 3, Hero 2, Tonus 4, Memory 2



Ø 250 cm H: 62,5 cm

Ø 98.43" H: 24.60"



36 kg | 79.37 lbs



Ceiling Suspended Straight

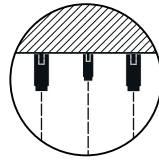
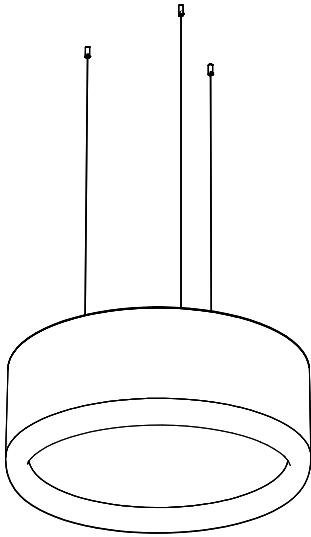
4 x black or alu cables 2 or 5 m | 78.74" or 196.85"



If Installing on suspended ceiling, verify load capacity prior to installation.

Mounting

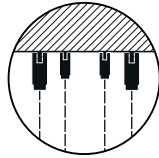
Ceiling Suspended Straight



Ceiling Suspended Straight

Fixing System Screw with:
S | M | L | XL | XXL:

3 cables of 2 or 5 m | 78.74" or 196.85" (black or alu)

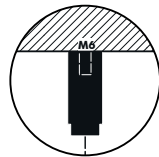
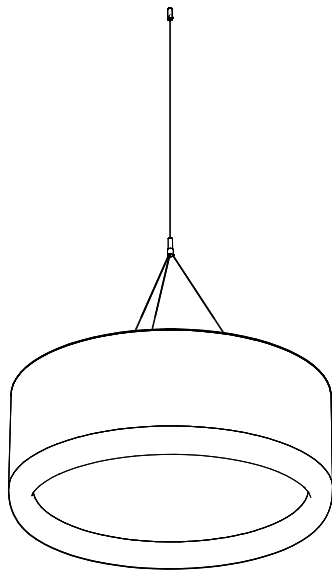


3XL | 4XL:

4 cables of 2 or 5 m | 78.74" or 196.85" (black or alu)

Min. distance of shade to ceiling is 10 cm | 3.94"

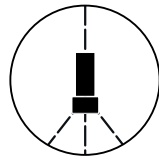
Ceiling Suspended Split (only available for BuzziTube S | M)



Ceiling Suspended Split

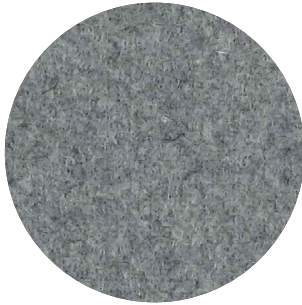
Fixing System Screw with 3 split cables and 1 main
cable, total length of 2 - 5 m | 78.74" - 196.85"
(black or alu)

Min. distance of shade to ceiling is 50 cm | 19.69"



Fabrics

Fabric (45 colors)



Category A

Composition 70% Recycled Wool, 25% Recycled Polyacryl,
5% Recycled Other Fabrics

Weight 405 g/m² | 11.94 oz/yd²

Abrasion resistance 40.000 Martindale, 50,000 Wyzenbeek

Flammability EU: EN 1021.1/2006 | BS EN 1021.1/2006 (cigarette).
EN 1021.2/2006 | BS EN 1021.2/2006 (match)
USA: CAL TB 117 | ASTM E84 CLASS A

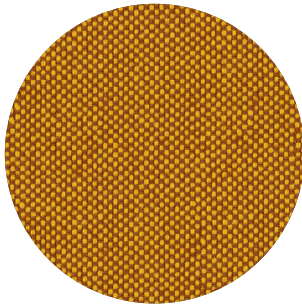
Fastness to light EU: 4 | USA 4

Fastness to rubbing EU: Wet 3-4 | Dry 4-5

Fastness to crocking USA: Wet 5 | Dry 5



Trevira CS+ | CS (47 colors)



Category A

Weight 420 g/m² | 12.39 oz/yd²

Composition 100% Polyester, Trevira CS

Abrasion resistance 100.000 Martindale, 90,000 Wyzenbeek

Flammability BS 5852 part II: CRIB 5 | BS 7176 Medium Hazard
USA: CAL TB 117 | M1 | B1 | EN 1021/1-2 | C1 |
IMO Res. A652 (16)

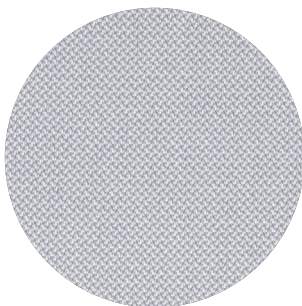
Fastness to light EU: 6 | USA 5

Fastness to rubbing EU: Wet 4-5 | Dry 4-5

Fastness to crocking USA: Wet 5 | Dry 5



Revive 1 (25 colors)



Category A

Composition 100% recycled polyester FR

Weight 430 g/lin.m

Abrasion resistance 60.000 Martindale rubs, EN ISO 12947

Flammability EN 1021-1/2 | DIN 4102 B1 | Önorm B1/Q1
UNI 9175 1IM | US Cal. Tech. Bull. 117
IMO A.652 (16)

Fastness to light Note 5-7, ISO 105-B02

Fastness to rubbing (ISO) dry 5, wet 4-5

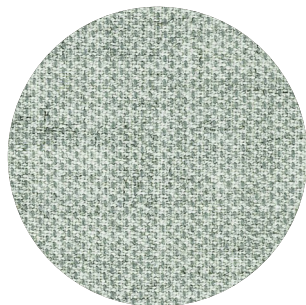
Pilling Note 4-5, EN ISO 12945



kvadrat

Clara 2 (24 colors)

kvadrat



Category B

Composition 92% new wool, 8% nylon

Weight 400 g/lin.m

Abrasion resistance 80.000 Martindale rubs, EN ISO 12947

Flammability EN 1021-1/2 | BS 5852, ignition source 2-3 | DIN 4102 B2
NF D 60 013 | UNI 9175 11M | US Cal. Tech. Bull. 117, Sec. E
NFPA 260 | IMO A.652(16)

Fastness to light Note 5-7, ISO 105-B02

Fastness to rubbing (ISO) dry 4-5, wet 4

Pilling Note 4, EN ISO 12945



Remix 3 (73 colors)

kvadrat



Category B

Composition 90% new wool, 10% nylon

Weight 415 g/lin.m

Abrasion resistance 100.000 Martindale rubs, EN ISO 12947

Flammability EN 1021-1/2 | BS 5852 part 1
Önorm B1/Q1 | NF D 60 013 | UNI 9175, 11M
AS/NZS 1530.3 | Cal. Tech. Bull. 117-2013
NFPA 260 | IMO FTP Code 2010:Part 8

Fastness to light Note 5-7, ISO 105-B02

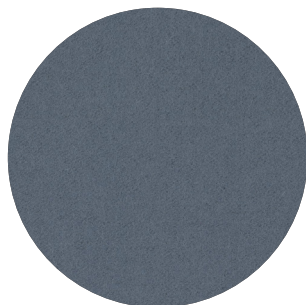
Fastness to rubbing (ISO) dry 4-5, wet 4

Pilling Note 4, EN ISO 12945



Hero 2 (33 colors)

kvadrat



Category C

Composition 97% new wool, 3% nylon

Weight 580 g/lin.m

Abrasion resistance 45.000 Martindale rubs, EN ISO 12947

Flammability EN 1021-1/2 | DIN 4102 B2 | NF D 60 013
UNI 9175 11M | US Cal. Bull. 117-2013 | NFPA 260
IMO A.652 (16)

Fastness to light Note 5-6, ISO 105-B02

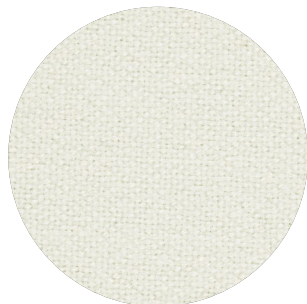
Fastness to rubbing (ISO) dry 4-5, wet 4-5

Pilling Note 3-4, EN ISO 12945



Tonus 4 (47 colors)

kvadrat



Category D

Composition 90% new wool, 10% Helanca

Weight 665 g/lin.m

Abrasion resistance 100.000 Martindale rubs, EN ISO 12947

Flammability EN 1021-1/2 | BS 5852 part 1 | DIN 4102 B2

Önorm B1/Q1 | NF D 60 013 | UNI 9175 1IM

US Cal. Bull. 117-2013 | NFPA 260 | IMO A.652 (16)

Fastness to light Note 5-7, ISO 105-B02

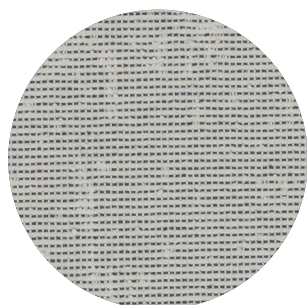
Fastness to rubbing (ISO) dry 3-5, wet 3-5

Pilling Note 3, EN ISO 12945



Memory 2 (20 colors)

kvadrat



Category E

Composition 100% Trevira CS

Weight 700 g/lin.m

Abrasion resistance

35.000 rubs acc. to the Martindale method, EN ISO 12947

Flammability EN 1021-1/2 | DIN 4102 B1 | Önorm B1/Q1

NF D 60 013 | NF P 92 507 M1 | UNI 9175 1IM

UNI 9177 classe 1 | US Cal. Tech. Bull. 117

IMO A.652 (16)

Fastness to light Note 5-8, ISO 105-B02

Fastness to rubbing (ISO) dry 4-5, wet 4-5

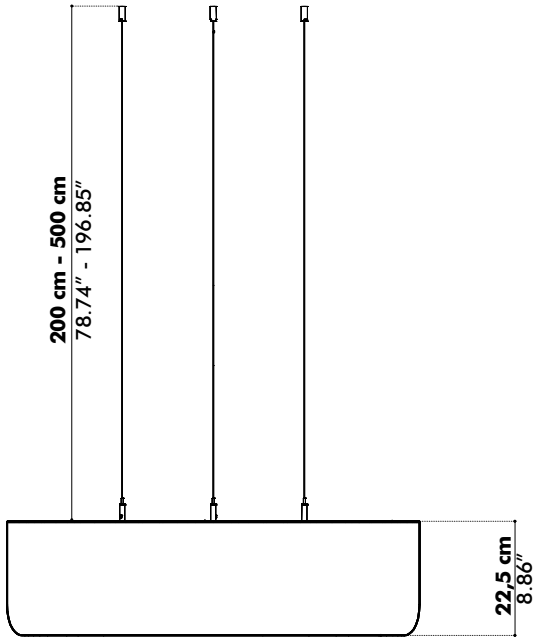
Pilling Note 4, EN ISO 12945



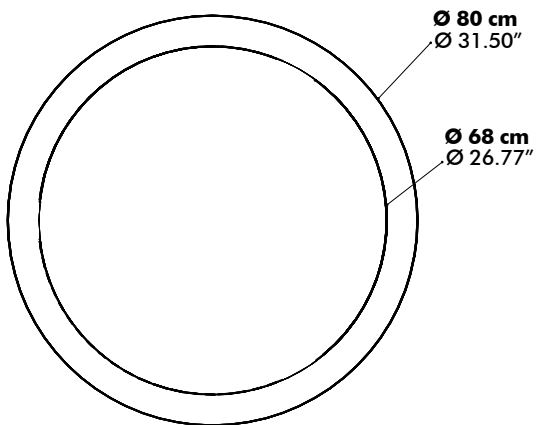
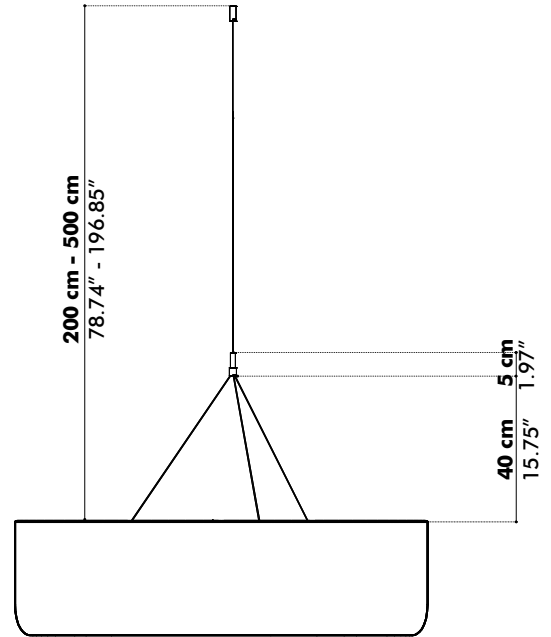
Dimensions

BuzziTube S

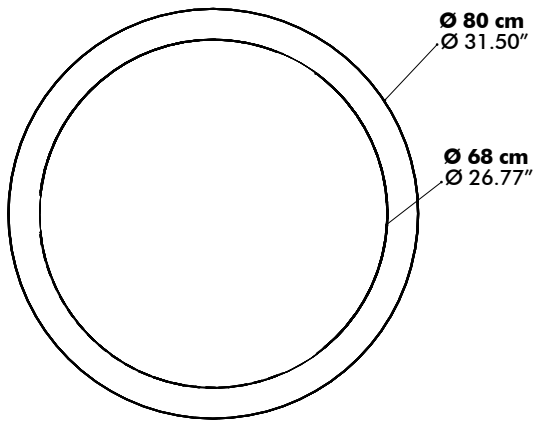
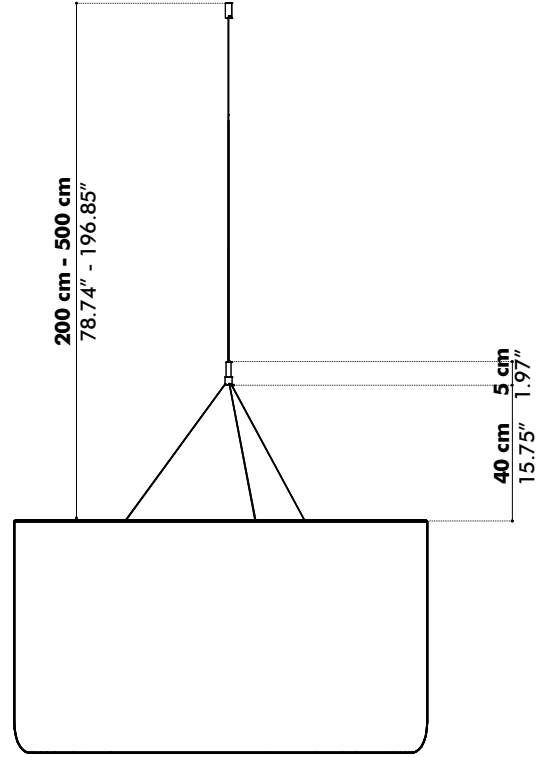
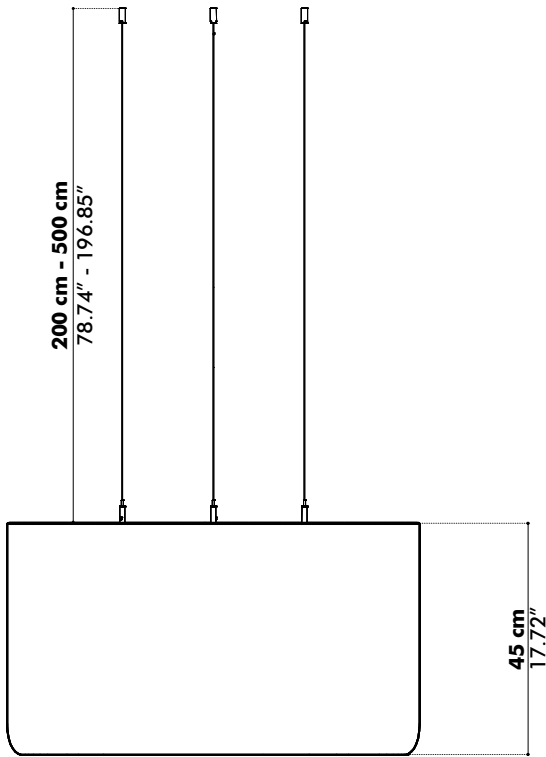
Straight



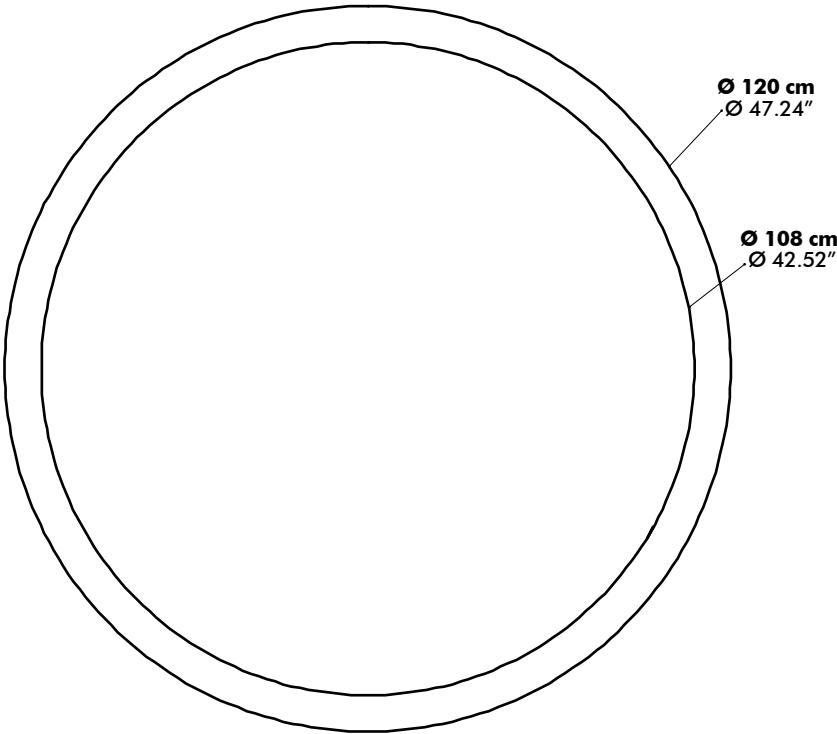
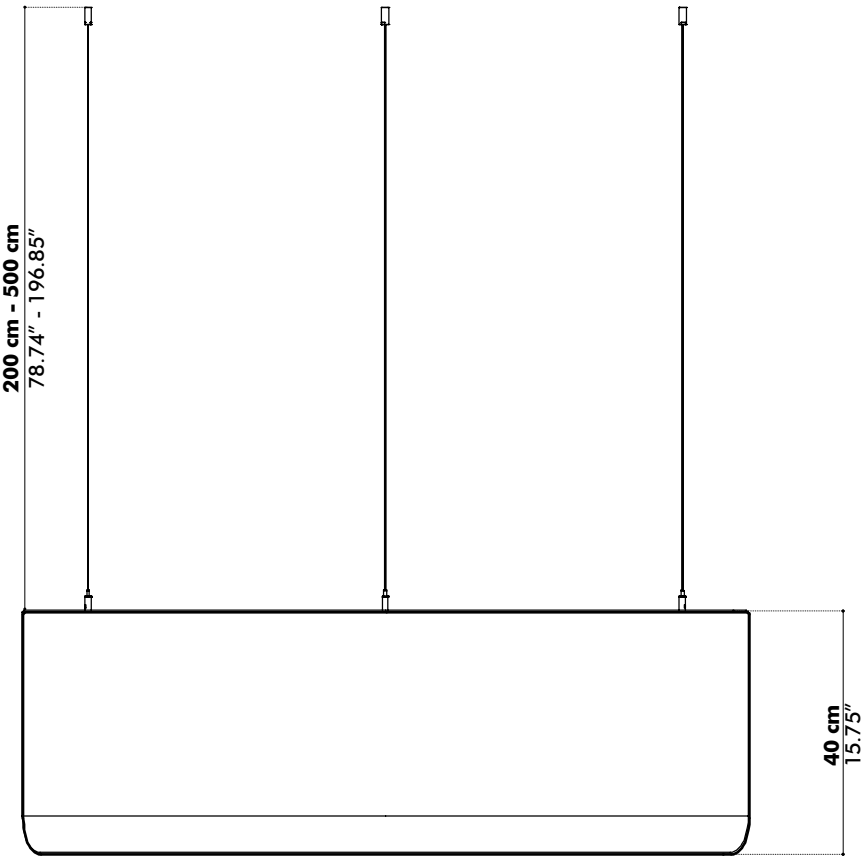
Split



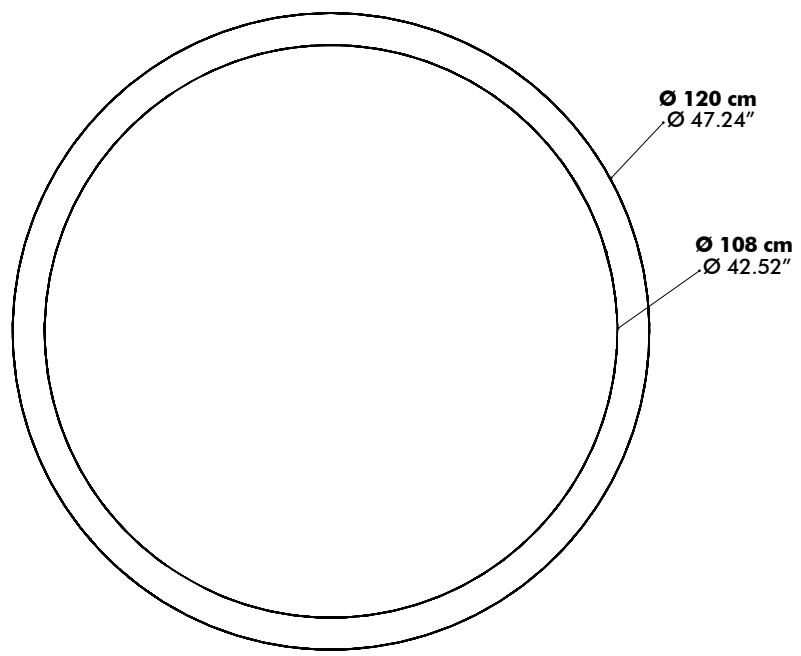
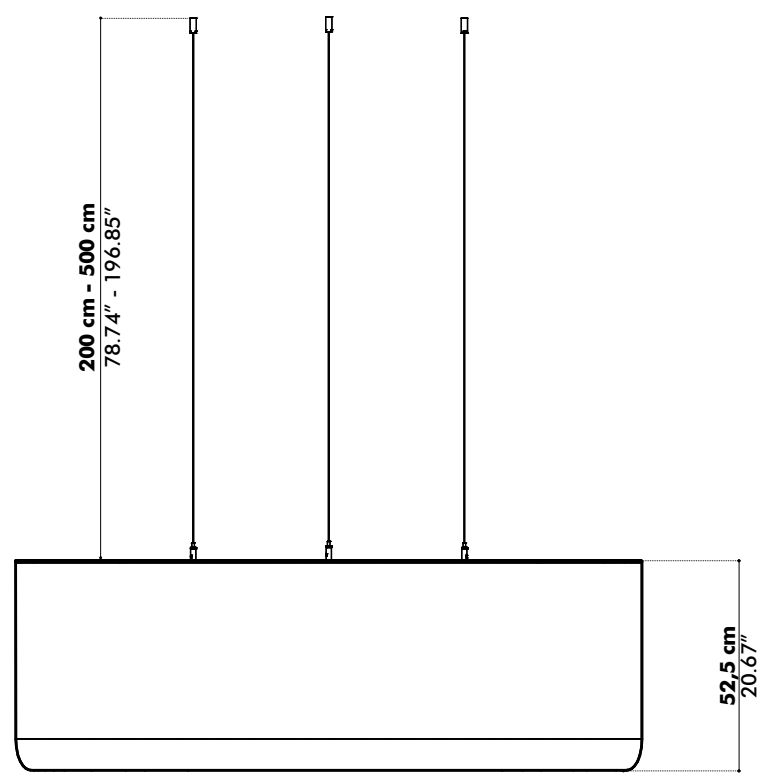
BuzziTube M



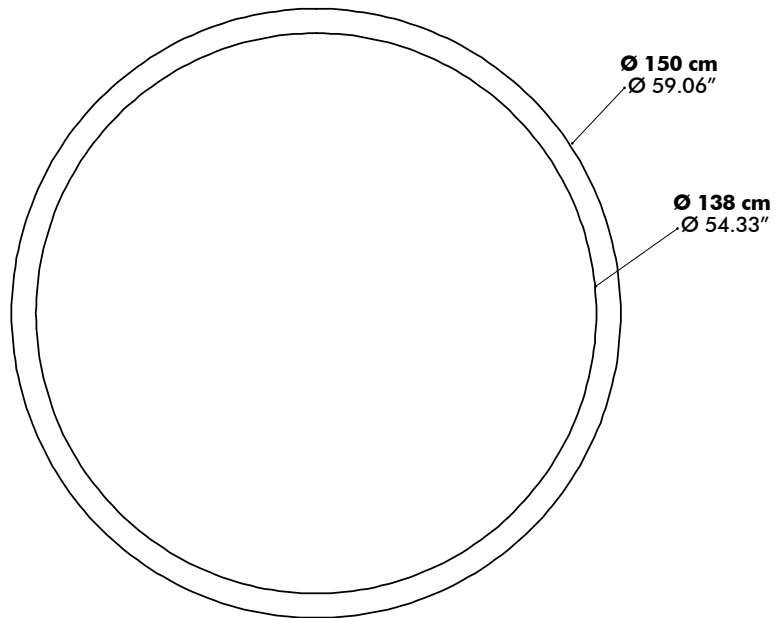
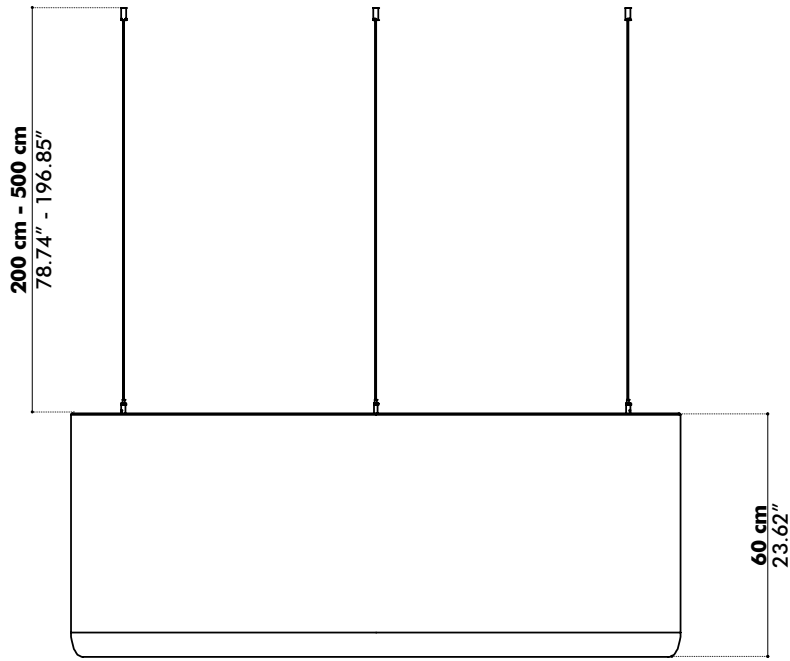
BuzziTube L



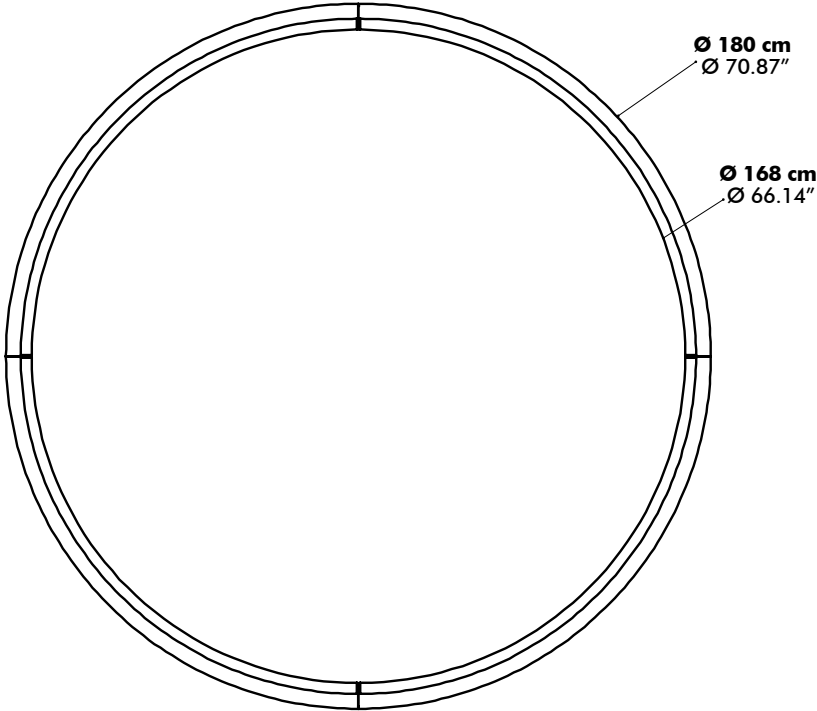
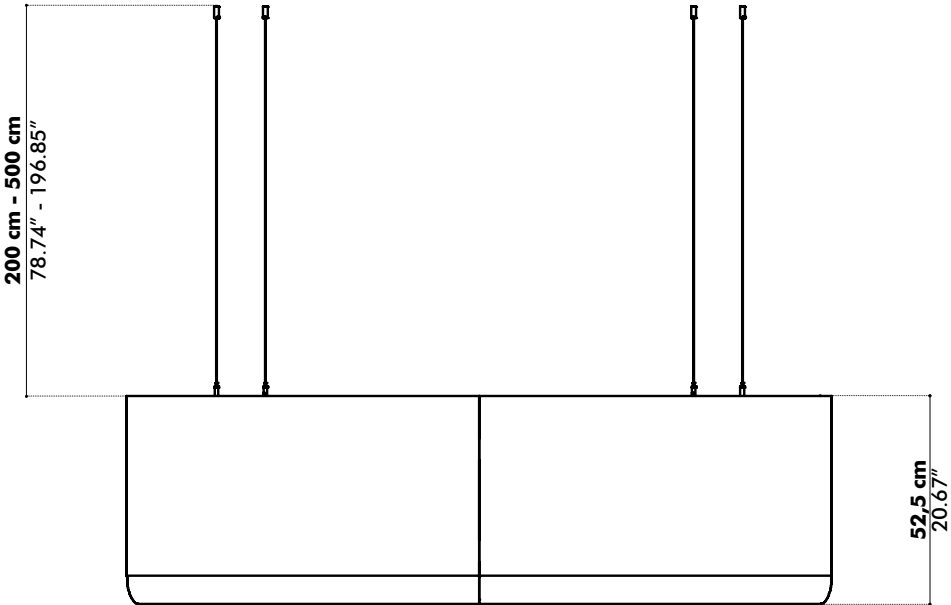
BuzziTube XL



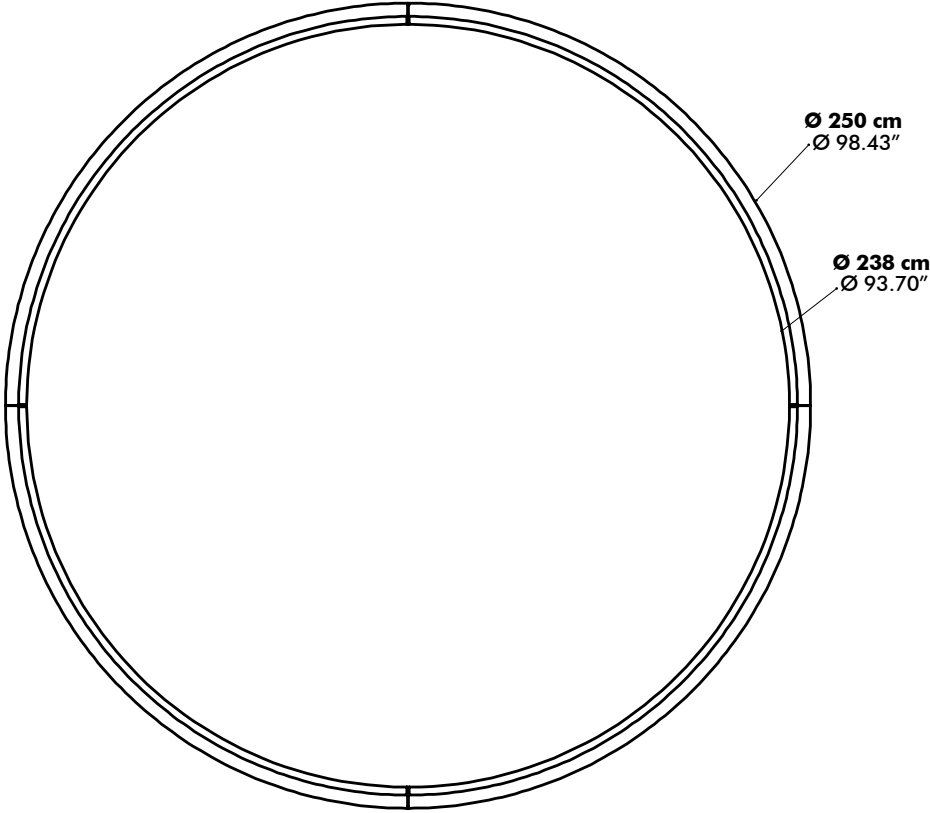
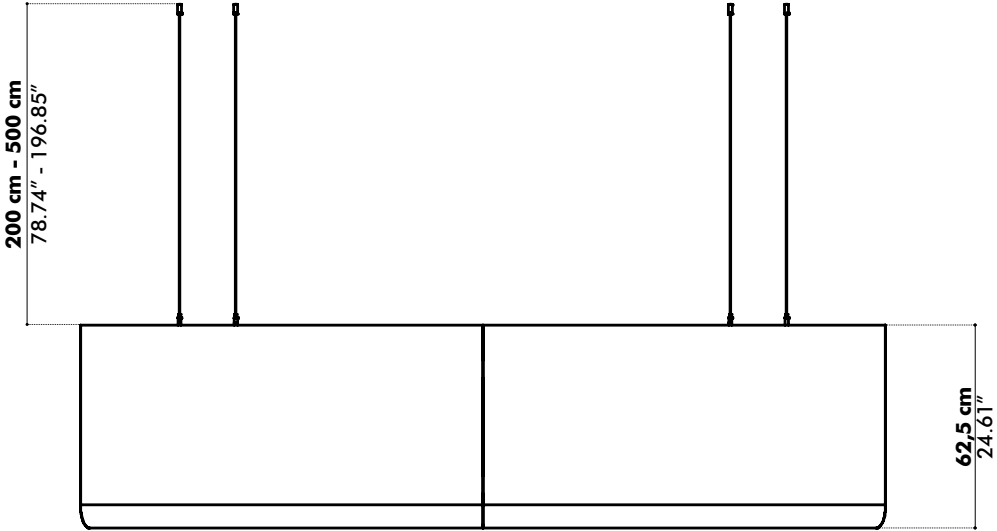
BuzziTube XXL



BuzziTube 3XL



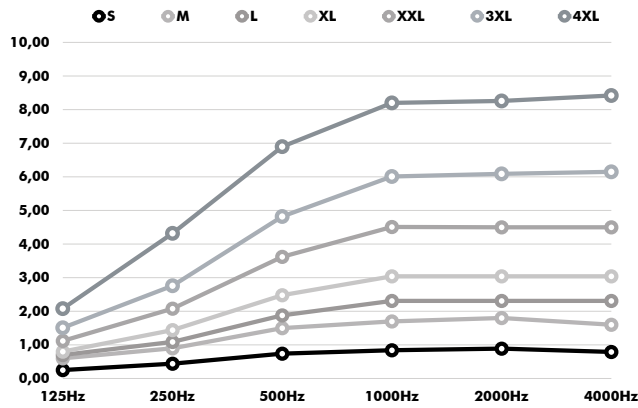
BuzziTube 4XL



Acoustics

BuzziTube

Equivalent sound absorption area in m² per object



Hz	S Aeq/m ²	M Aeq/m ²	L Aeq/m ²	XL Aeq/m ²	XXL Aeq/m ²	3XL Aeq/m ²	4XL Aeq/m ²
125	0.25	0.60	0.70	0.80	1.12	1.51	2.08
250	0.44	0.90	1.09	1.44	2.08	2.76	4.32
500	0.74	1.50	1.88	2.48	3.62	4.82	6.90
1000	0.84	1.70	2.31	3.04	4.51	6.01	8.20
2000	0.89	1.80	2.31	3.04	4.50	6.09	8.26
4000	0.79	1.60	2.31	3.04	4.50	6.15	8.42