

---

# BuzziReDesk

## Product Specification Sheet

---

This document contains technical information about the BuzziReDesk

---



[www.buzzi.space](http://www.buzzi.space)











## Our most sustainable desk divider

BuzziReDesk, our most sustainable desk divider, is crafted from recycled and recyclable materials, including a honeycomb cardboard core with no plastic, foam or glue. With easy disassembly for end-of-life recycling, BuzziReDesk minimizes its environmental impact. Choose from 3 heights and 7 lengths to tailor your workspace and enjoy easy installation for a dynamic and flexible environment.

Design by BuzziSpace Studio

---

## General

-  BuzziReDesk
-  Rounded corners
-  Cover: BuzziFabric
-  Powder coated metal fixes in Black (RAL 9005) or White (RAL 9010)
-  Height: 40 cm, 50 cm, 60 cm  
15.75", 19.69", 23.62"
-  Width: 80 cm, 100 cm, 120 cm, 140 cm, 160 cm, 180 cm, 200 cm  
31.50", 39.37", 47.24", 55.12", 62.99", 70.87", 78.74"
-  Dry use
-  Flat Packed  
Desk Mounted

---

## Acoustics



Absorption



Diffusion



Attenuation



Mid tone



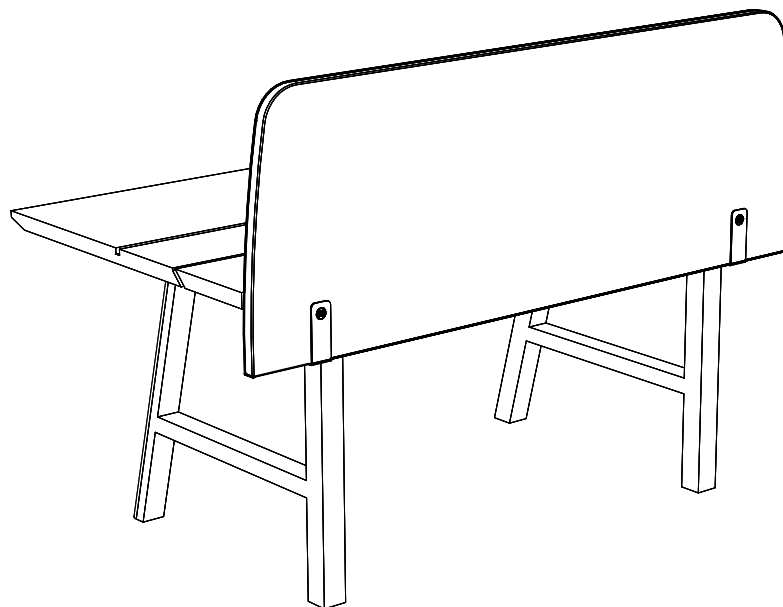
High tone

---

## Content

Configurations	3	Dimensions	6
BuzziFix overview	4	Acoustics	8
Fabrics	5		

# Configurations



BuzziRe Desk

Rounded corners



Cover: BuzziFabric

Powder coated metal fixes in Black (RAL 9005) or White (RAL 9010)

Height: 40 cm, 50 cm, 60 cm

15.75", 19.69", 23.62"



Width: 80 cm, 100 cm, 120 cm, 140 cm, 160 cm, 180 cm, 200 cm

31.50", 39.37", 47.24", 55.12", 62.99", 70.87", 78.74"

Depth: 3,5 cm

1.38"



5,6 kg/m<sup>2</sup> | 12.35 lbs

---

## Components

### Rounded corners



# BuzziFix Overview

BuzziFix is available in powder coated metal Black (RAL 9005) or White (RAL 9010)

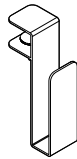
Use 2 pcs/BuzziReDesk

Metal thickness: 0,3 cm | 0.12" metal thickness

## Thin F L | F L-Plus | F XL

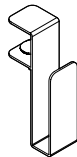
**L**

Worktop: 12 > 27 mm  
0.47" > 1.06"



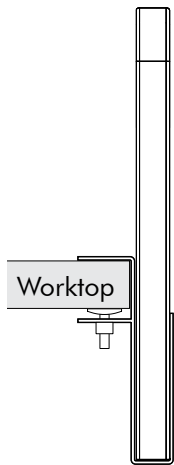
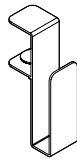
**L-Plus**

Worktop: 18 > 43 mm  
0.71" > 1.69"



**XL**

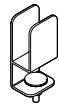
Worktop: 28 > 57 mm  
1.10" > 2.24"



## Thin Y L | L-plus | XL

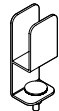
**L**

Worktop: 12 > 27 mm  
0.47" > 1.06"



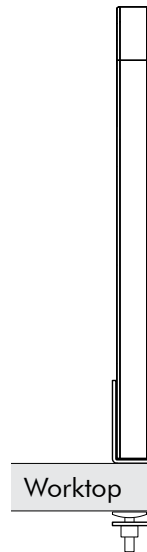
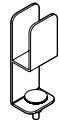
**L-Plus**

Worktop: 18 > 43 mm  
0.71" > 1.69"



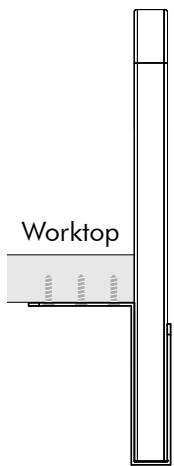
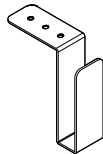
**XL**

Worktop: 28 > 57 mm  
1.10 > 2.24"



## Thin U

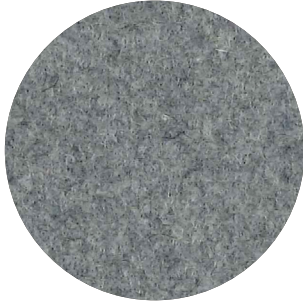
Excl. screws



# Fabrics

---

## Fabric (45 colors)



**Category** A

**Composition** 70% Recycled Wool, 25% Recycled Polyacryl,  
5% Recycled Other Fabrics

**Weight** 405 g/m<sup>2</sup> | 11.94 oz/yd<sup>2</sup>

**Abrasion resistance** 40.000 Martindale, 50,000 Wyzenbeek

**Flammability** EU: EN 1021.1/2006 | BS EN 1021.1/2006 (cigarette).

EN 1021.2/2006 | BS EN 1021.2/2006 (match)

USA: CAL TB 117 | ASTM E84 CLASS A

**Fastness to light** EU: 4 | USA 4

**Fastness to rubbing** EU: Wet 3-4 | Dry 4-5

**Fastness to crocking** USA: Wet 5 | Dry 5

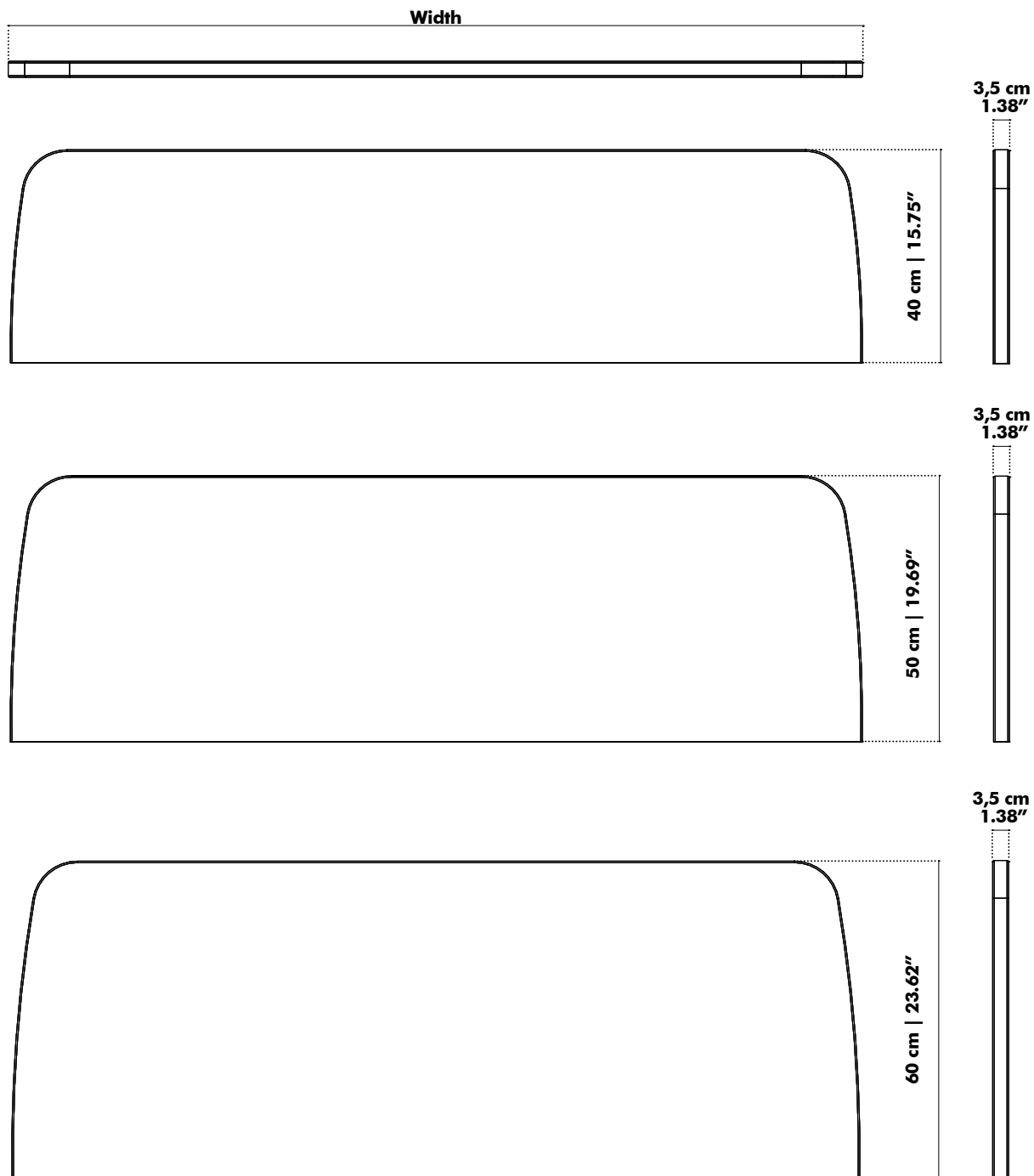


# Dimensions

---

## BuzziReDesk

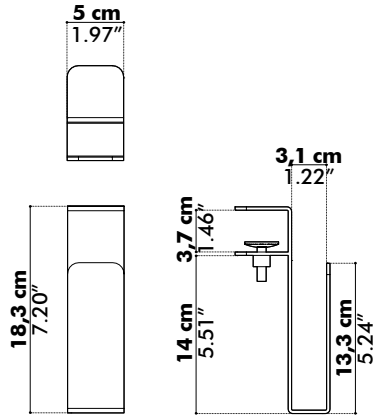
**Width** 80 cm, 100 cm, 120 cm, 140 cm, 160 cm, 180 cm, 200 cm  
31.50", 39.37", 47.24", 55.12", 62.99", 70.87", 78.74"



# BuzziFix

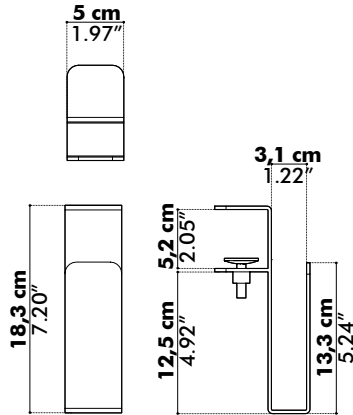
**Thin** (metal thickness 0,3 cm | 0.12")

## F L



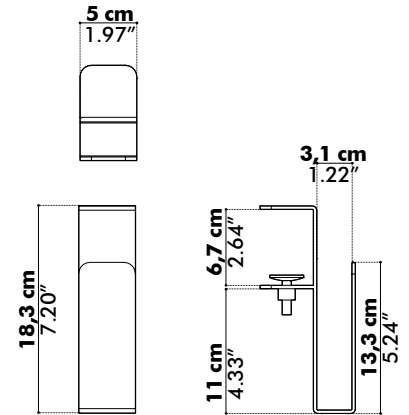
540 g/pc | 1.19 lbs/pc

## F L-Plus



540 g/pc | 1.19 lbs/pc

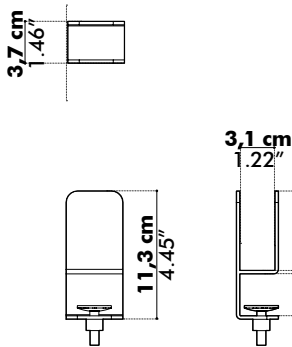
## F XL



540 g/pc | 1.19 lbs/pc

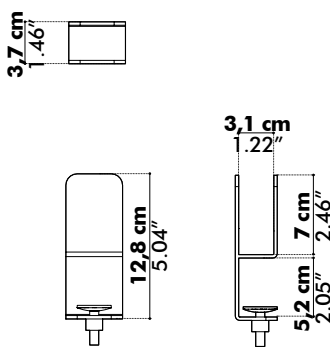
**Thin** (metal thickness 0,3 cm | 0.12")

## Y L



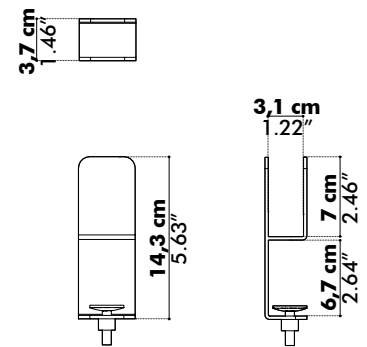
315 g/pc | 0.69 lbs/pc

## Y L-Plus



325 g/pc | 0.72 lbs/pc

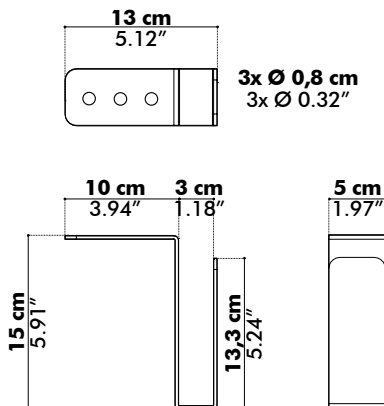
## XL



350 g/pc | 0.77 lbs/pc

**Thin** (metal thickness 0,3 cm | 0.12")

## U



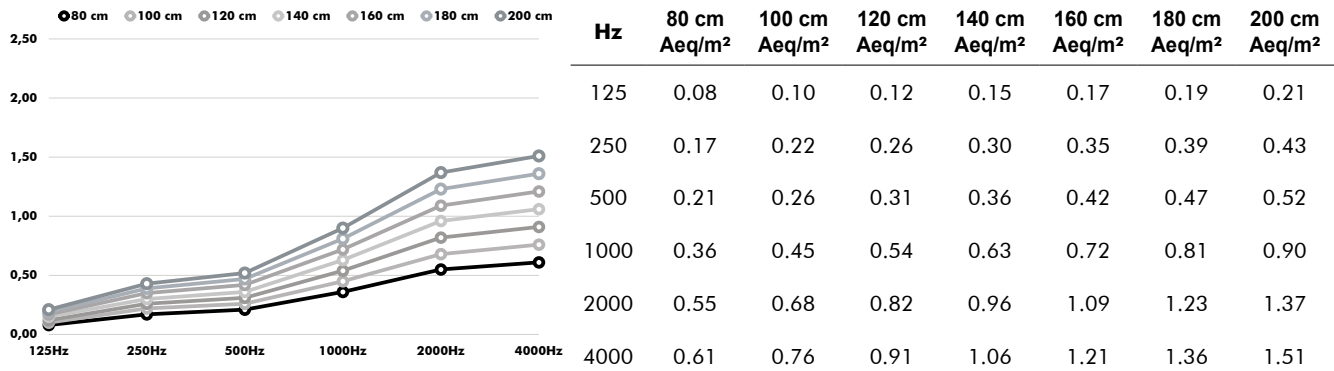
475 g/pc | 1.05 lbs/pc

**Thin** (metal thickness 0,2 cm | 0,07")

# Acoustics

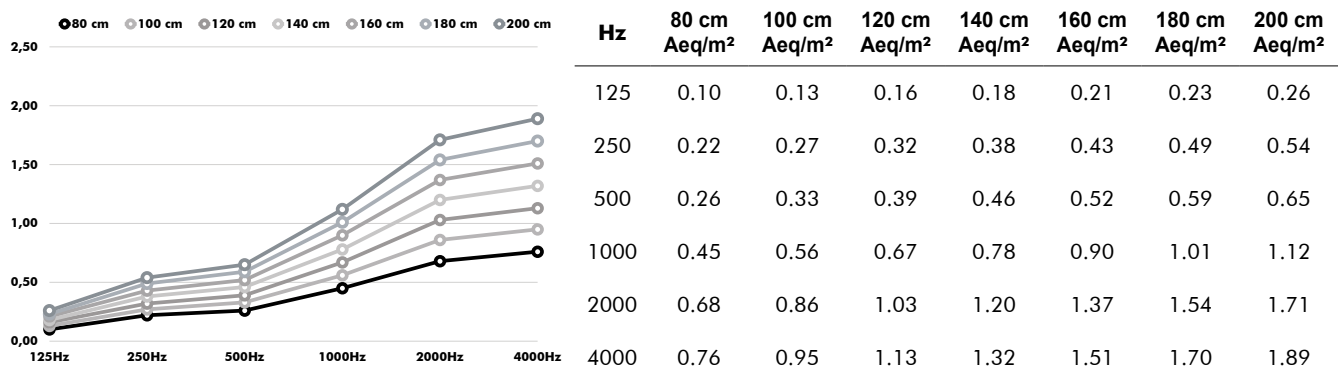
## BuzziReDesk Height 40 cm | 15.75"

Equivalent sound absorption area in m<sup>2</sup> per object



## BuzziReDesk Height 50 cm | 19.69"

Equivalent sound absorption area in m<sup>2</sup> per object



## BuzziReDesk Height 60 cm | 23.62"

Equivalent sound absorption area in m<sup>2</sup> per object

