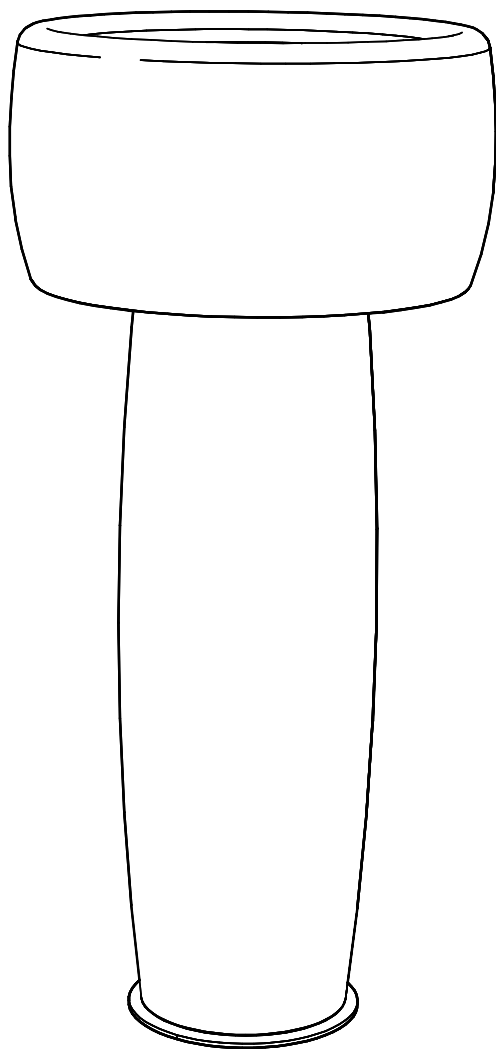


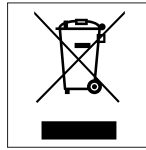
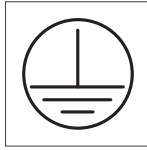
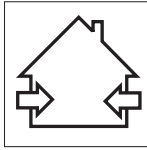
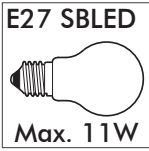
# BuzziShroom

INSTALLATION MANUAL



## Technical info

---



### Environmental Protection

Waste electrical products should not be disposed of with household waste.

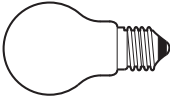
Please recycle where facilities exist.

Check with your Local Authority or retailer for recycling advice.

## Excluded

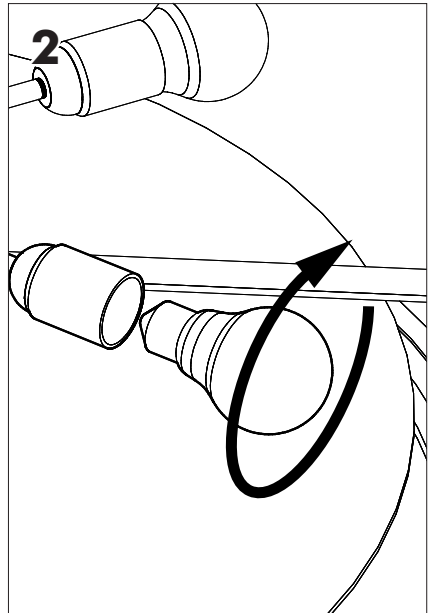
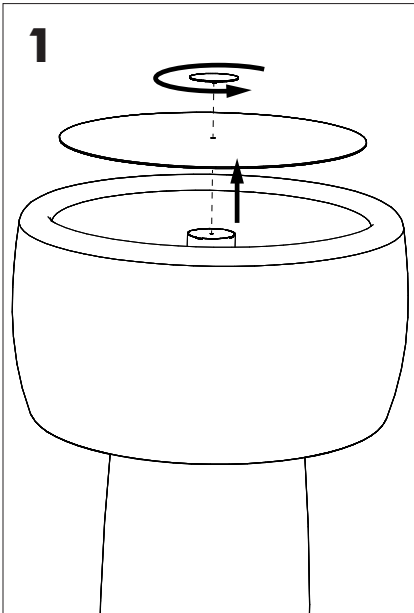
---

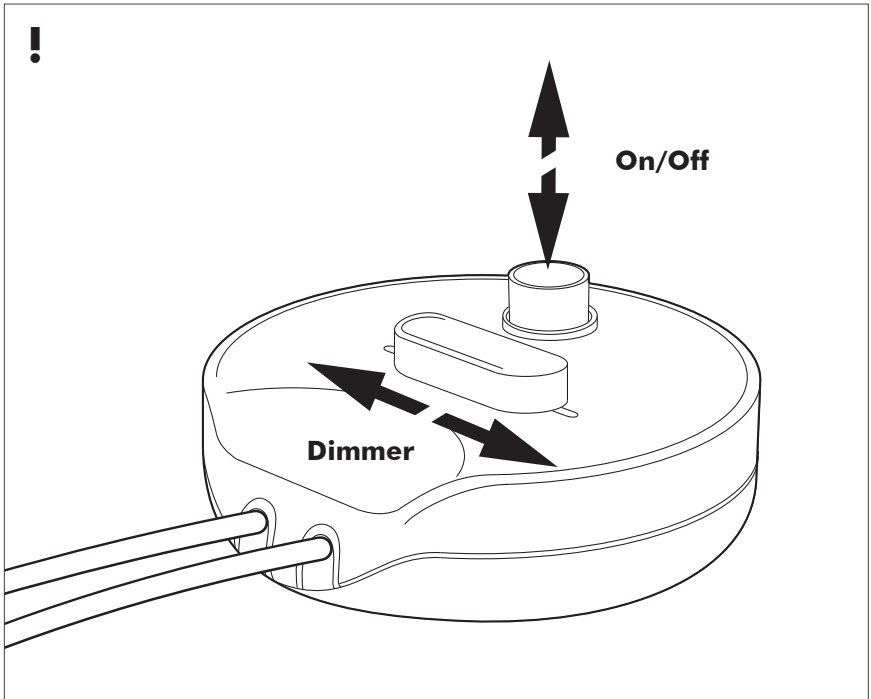
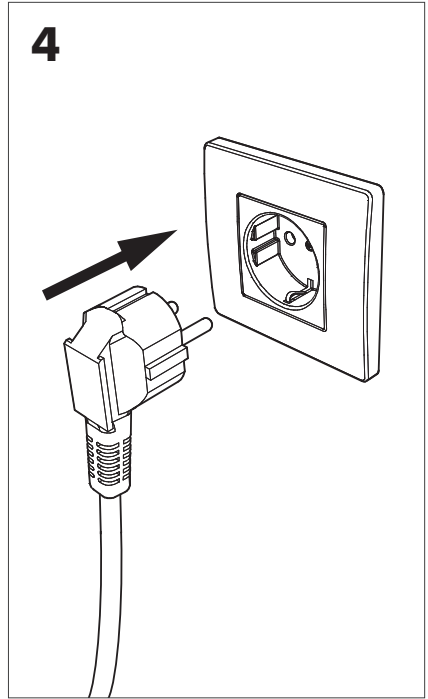
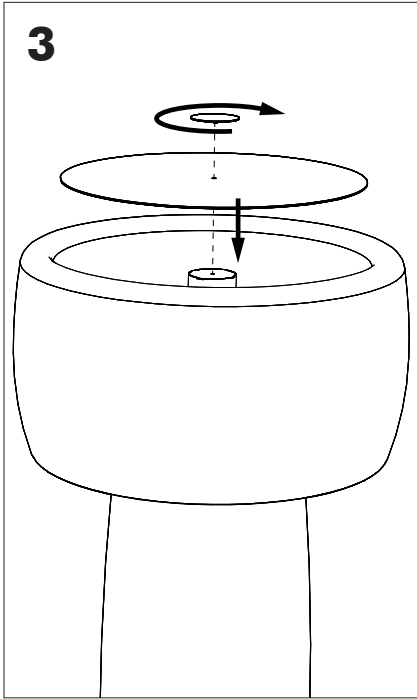
6x



## BuzziShroom

---





**BuzziSpace Group NV**  
Italiëlei 8, 2000 Antwerp  
Belgium

☎ +32 (0)3 846 10 00

✉ [info@buzzi.space](mailto:info@buzzi.space)

🌐 [www.buzzi.space](http://www.buzzi.space)



Doc nr.: A-0000010954  
Last update: 07/05/2024