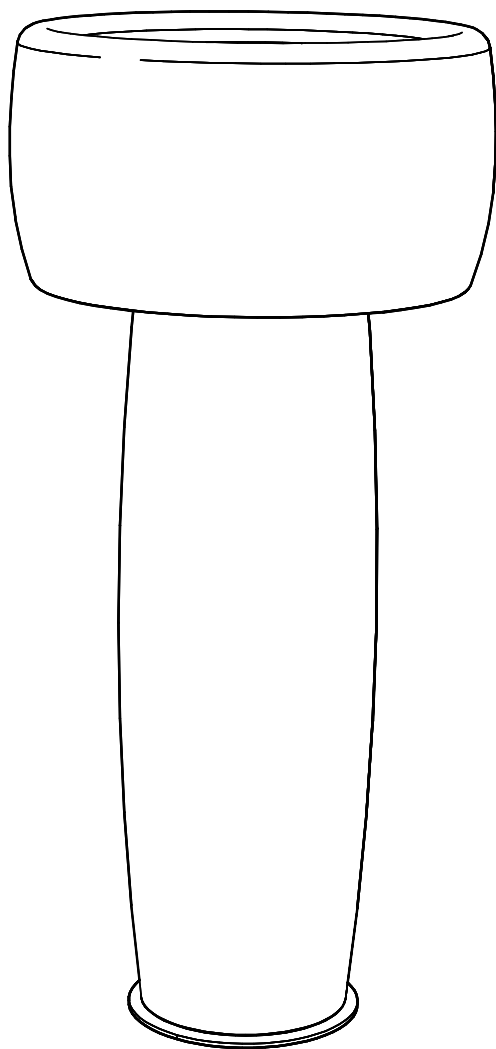


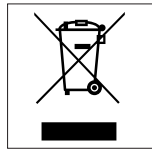
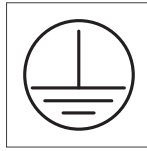
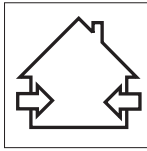
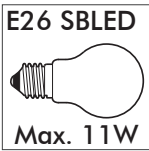
# BuzziShroom

INSTALLATION MANUAL



## Technical info

---



### Environmental Protection

Waste electrical products should not be disposed of with household waste. Please recycle where facilities exist.

Check with your Local Authority or retailer for recycling advice.

### WARNING: RISK OF FIRE/INJURY TO PERSONS.

Keep away from combustibles. Unplug to change bulb. Do not touch bulb.

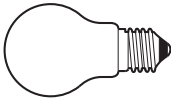
### AVERTISSEMENT : RISQUE D'INCENDIE/BLESSURES AUX PERSONNES.

Tenir à l'écart des combustibles. Débranchez pour changer l'ampoule. Ne touchez pas l'ampoule.

## Excluded

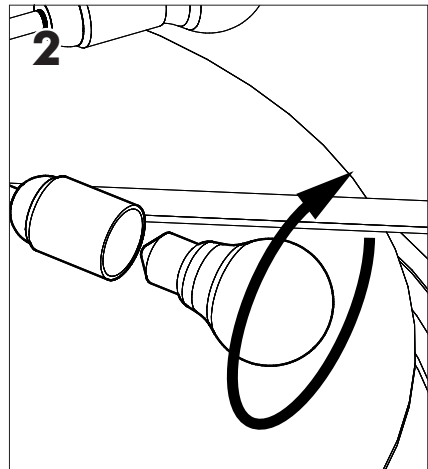
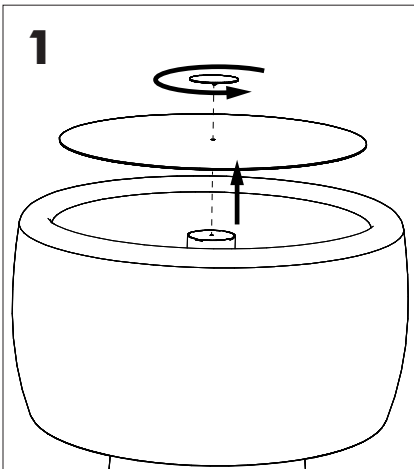
---

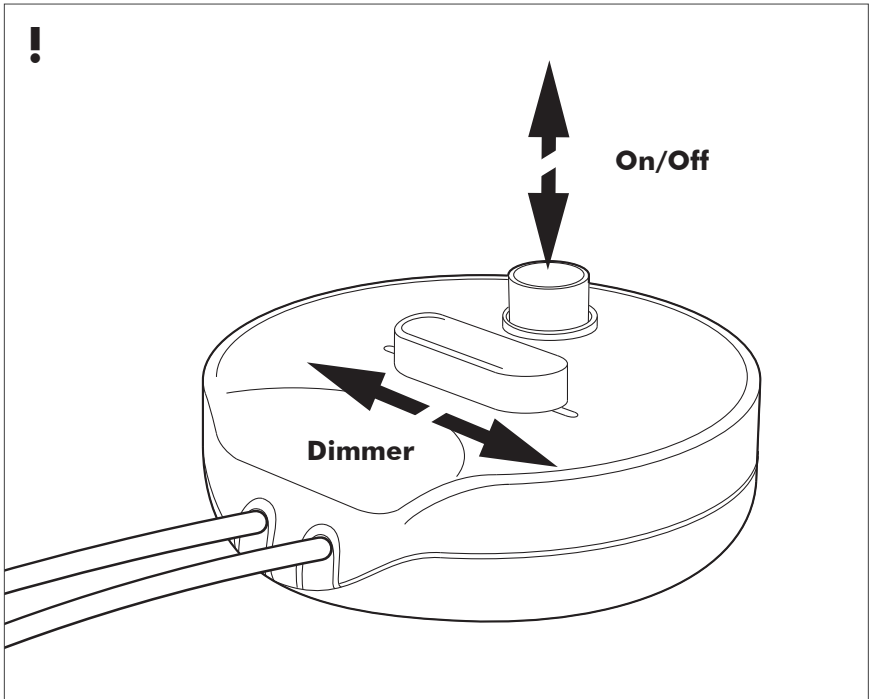
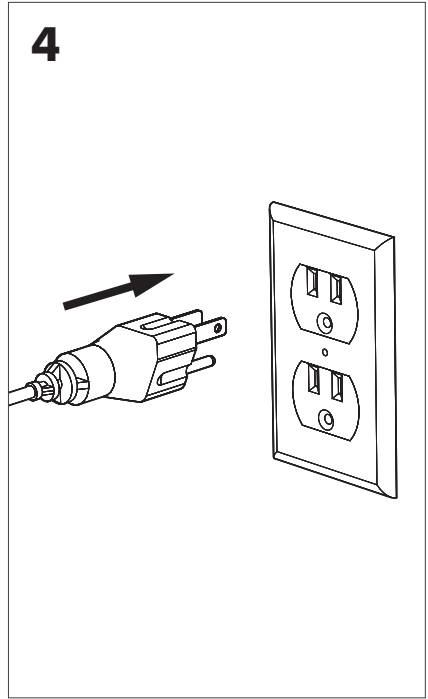
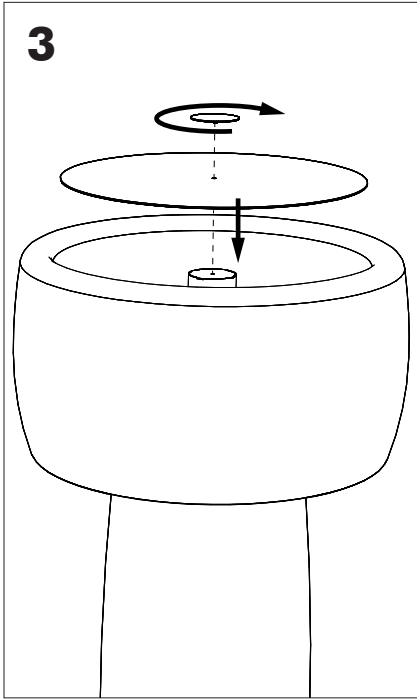
6x



## BuzziShroom

---





**BuzziSpace Group NV**  
Italiëlei 8, 2000 Antwerp  
Belgium

☎ +32 (0)3 846 10 00

✉ [info@buzzi.space](mailto:info@buzzi.space)

🌐 [www.buzzi.space](http://www.buzzi.space)



Doc nr.: A-0000010953  
Last update: 15/05/2024