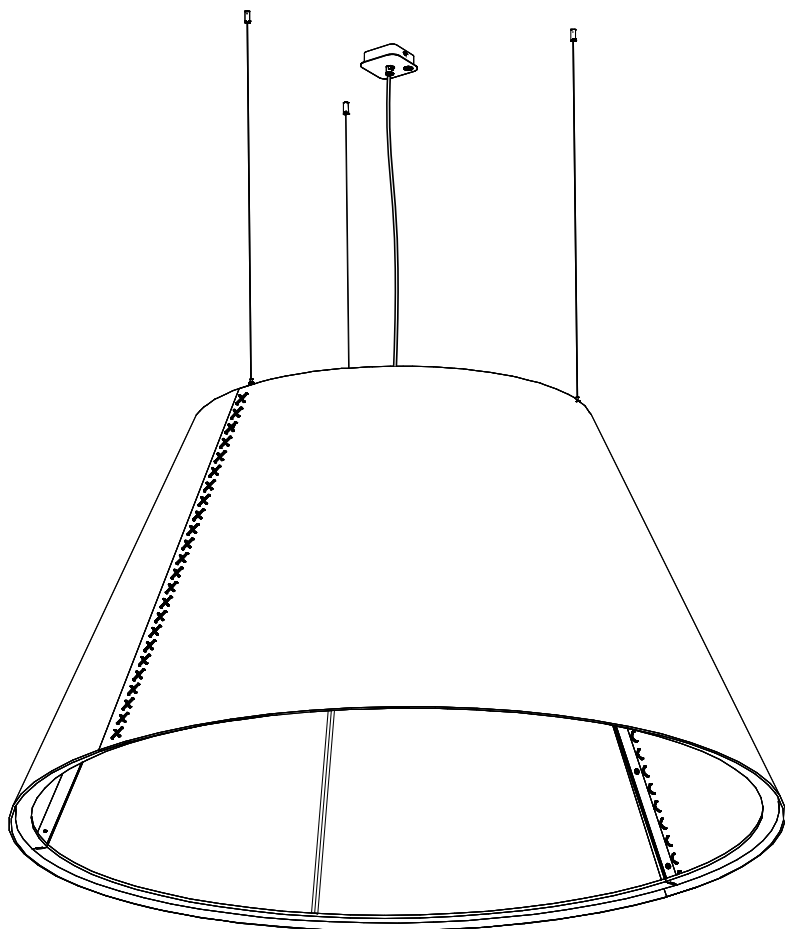


# BuzziShade XL - XXL

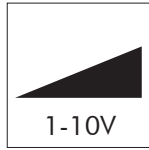
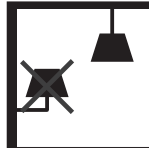
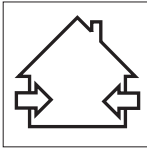
INSTALLATION MANUAL

MODE DE L'EMPLOI

120V-277V



# Technical info



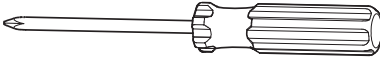
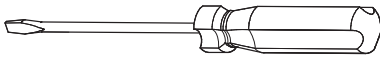
OR



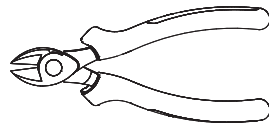
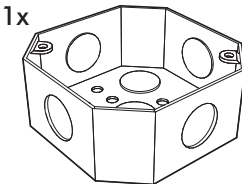
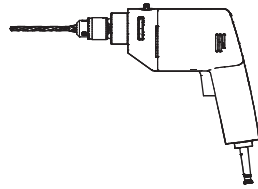
**⚠** The light source of this luminaire is not replaceable; when the light source reaches its end of life the whole luminaire shall be replaced.

**⚠** La source lumineuse de ce luminaire n'est pas remplaçable ; quand la source lumineuse atteint sa fin de vie, l'ensemble luminaire doit être remplacé.

## Excluded

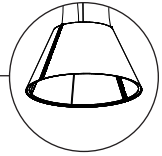


2x 

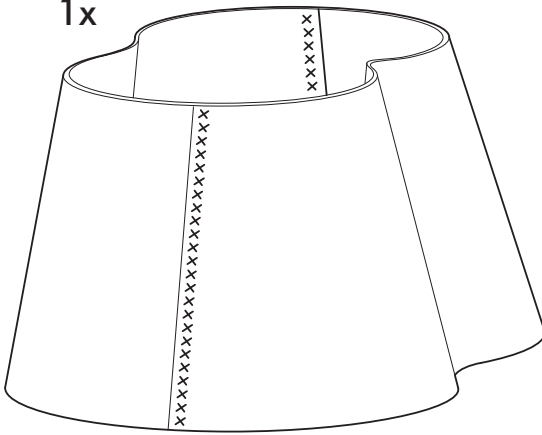


3x 

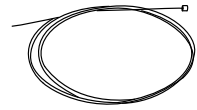
# Included BuzziShade XL-XXL



1x



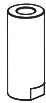
3x



3x



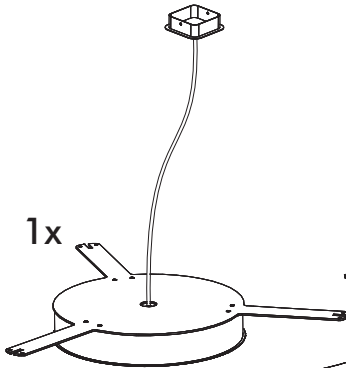
3x



3x



1x



XL 15x

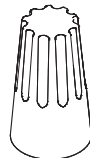
XXL 18x



6x



3x



3x

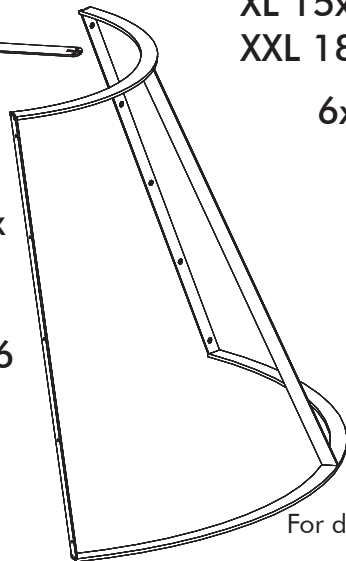


1x

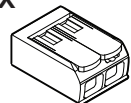


3x

M6

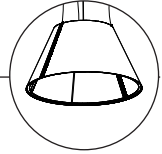


2x



For dimmable function

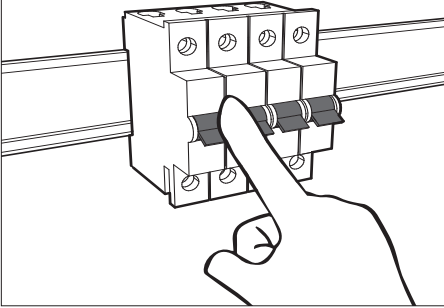
# BuzziShade XL-XXL



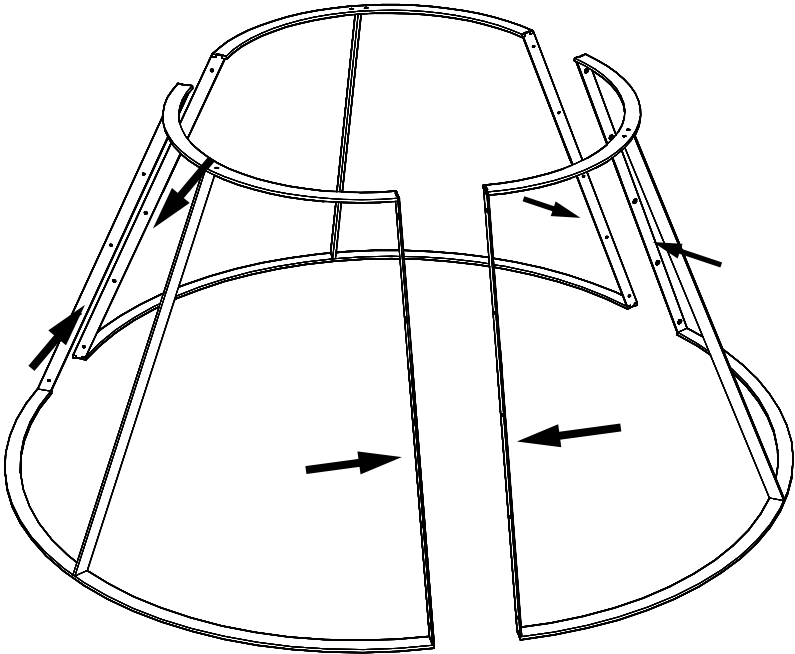
2 PERS.

**1**

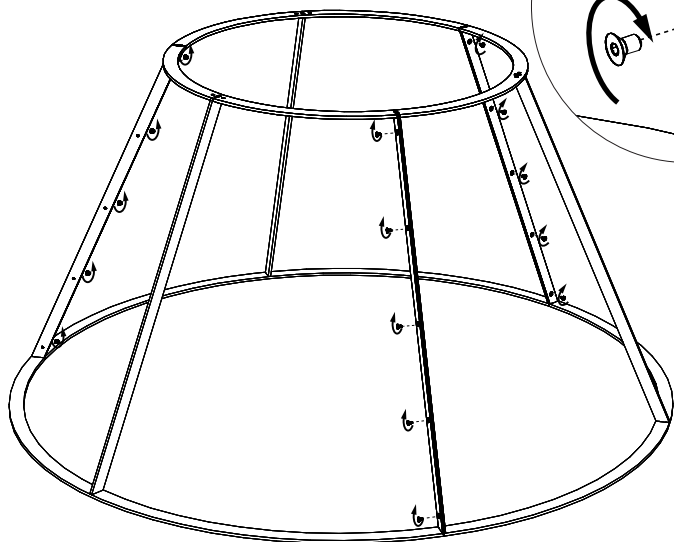
**OFF**



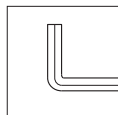
**2**



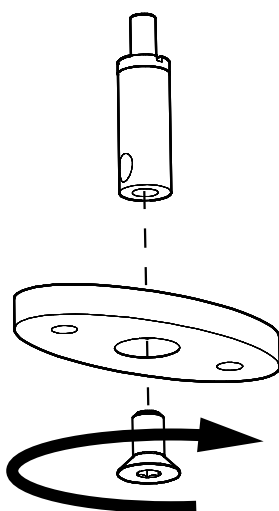
**3**



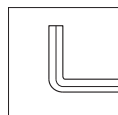
XL 12x  
XXL 15x



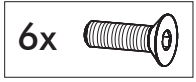
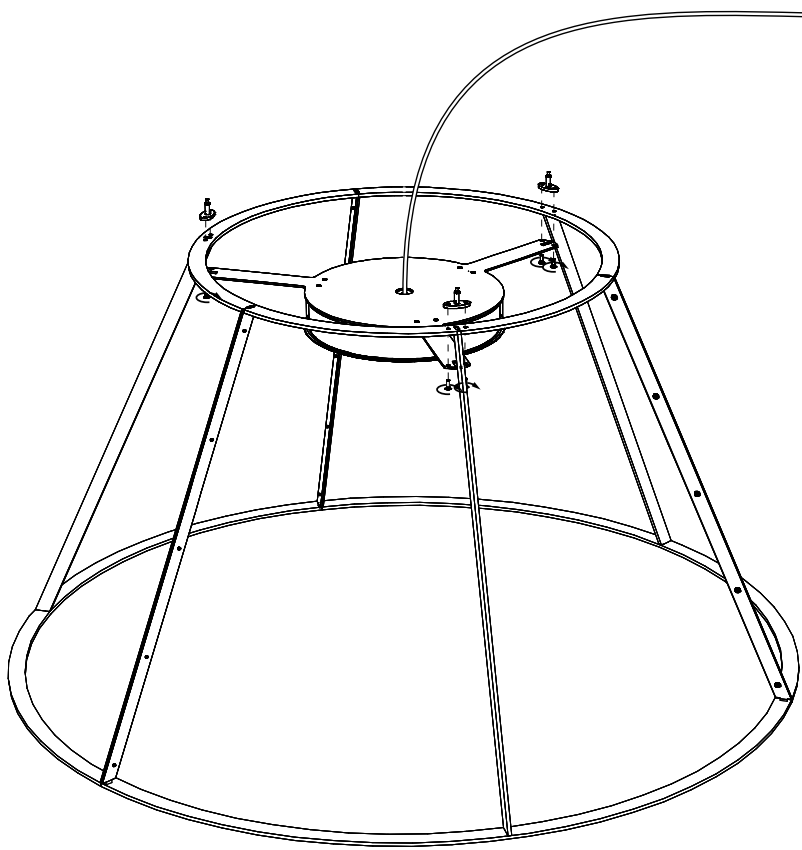
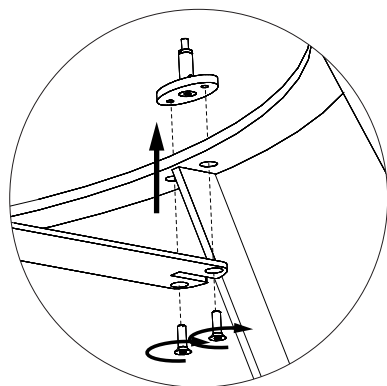
**4**



3x

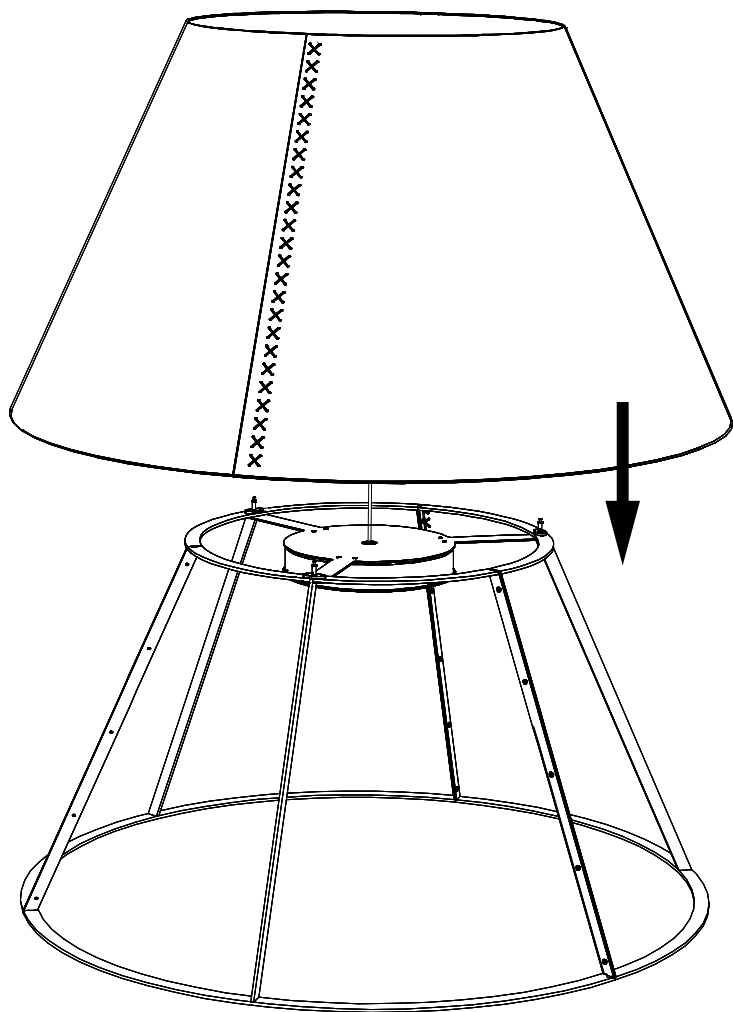


5

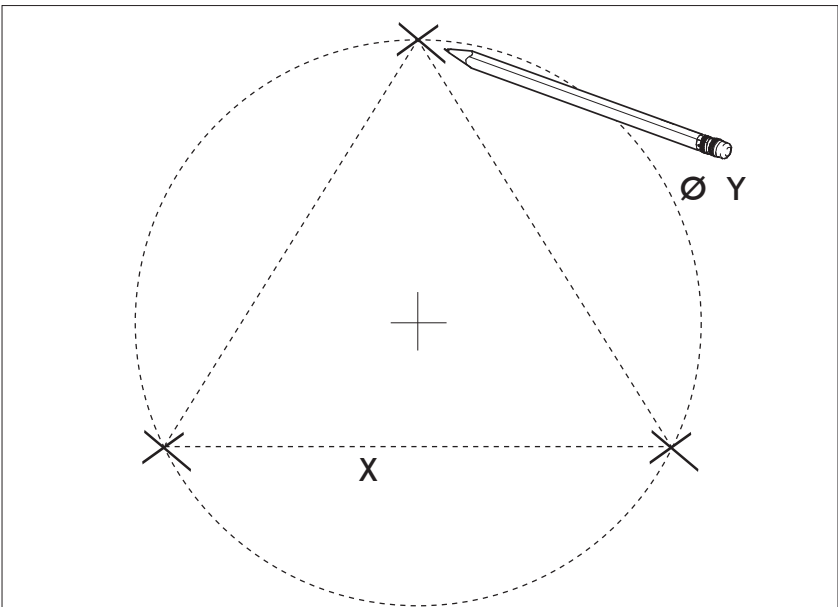


6

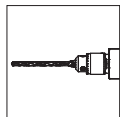
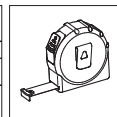
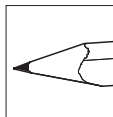
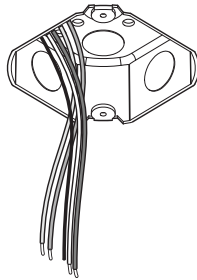
6



7

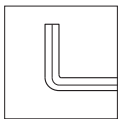
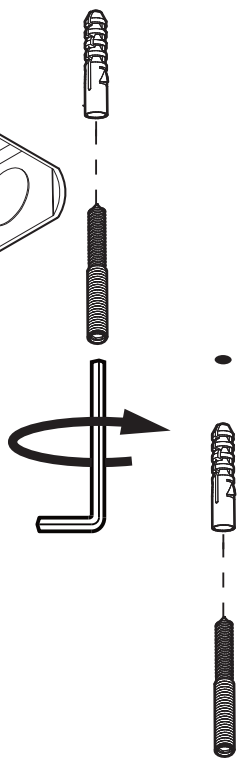
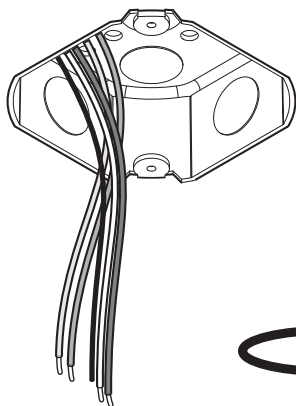


XL: X = 25.98" Y = 29.92"  
XXL: X = 32.68" Y = 37.80"

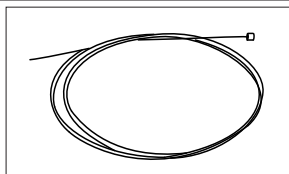
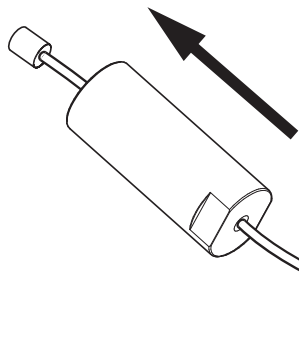




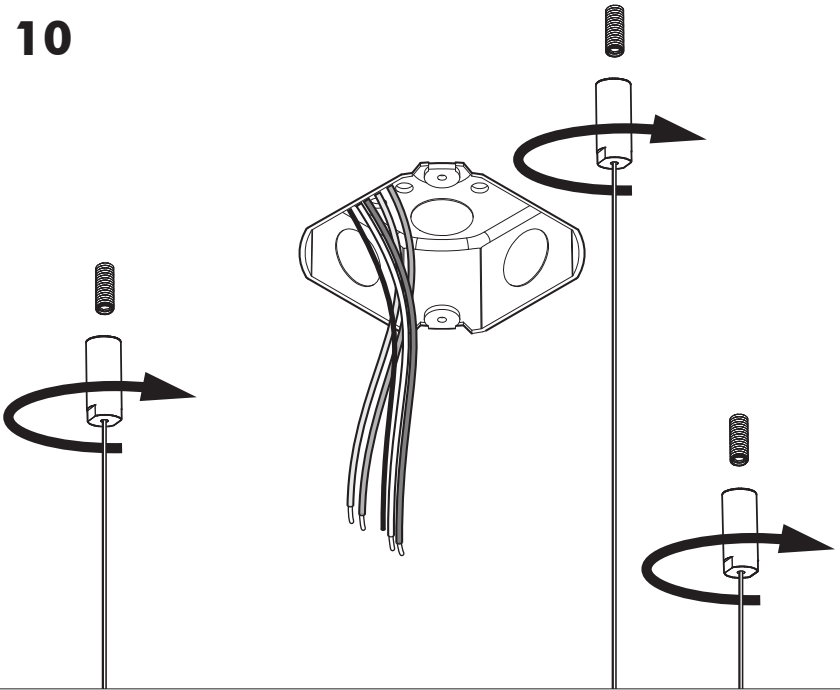
8



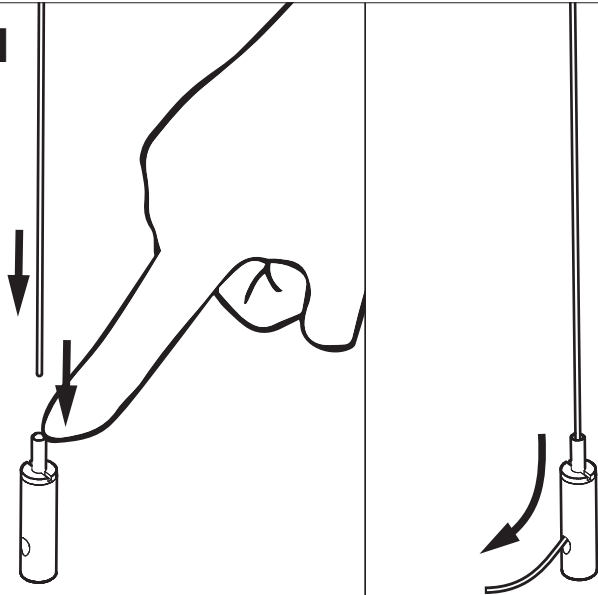
9



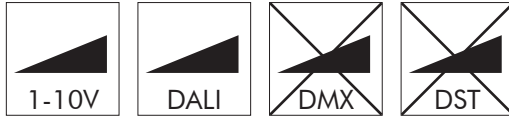
10



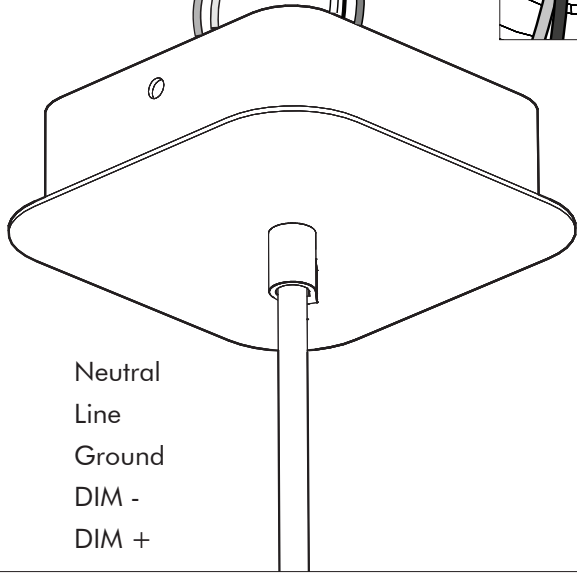
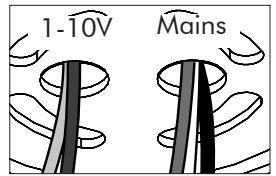
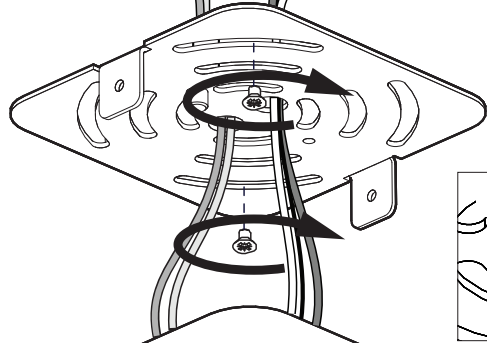
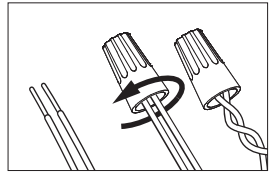
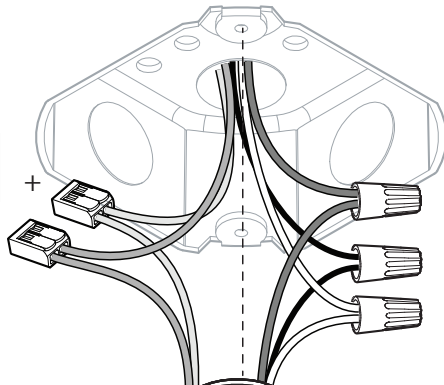
11



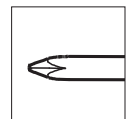
# 12a



Connection including dimmable function

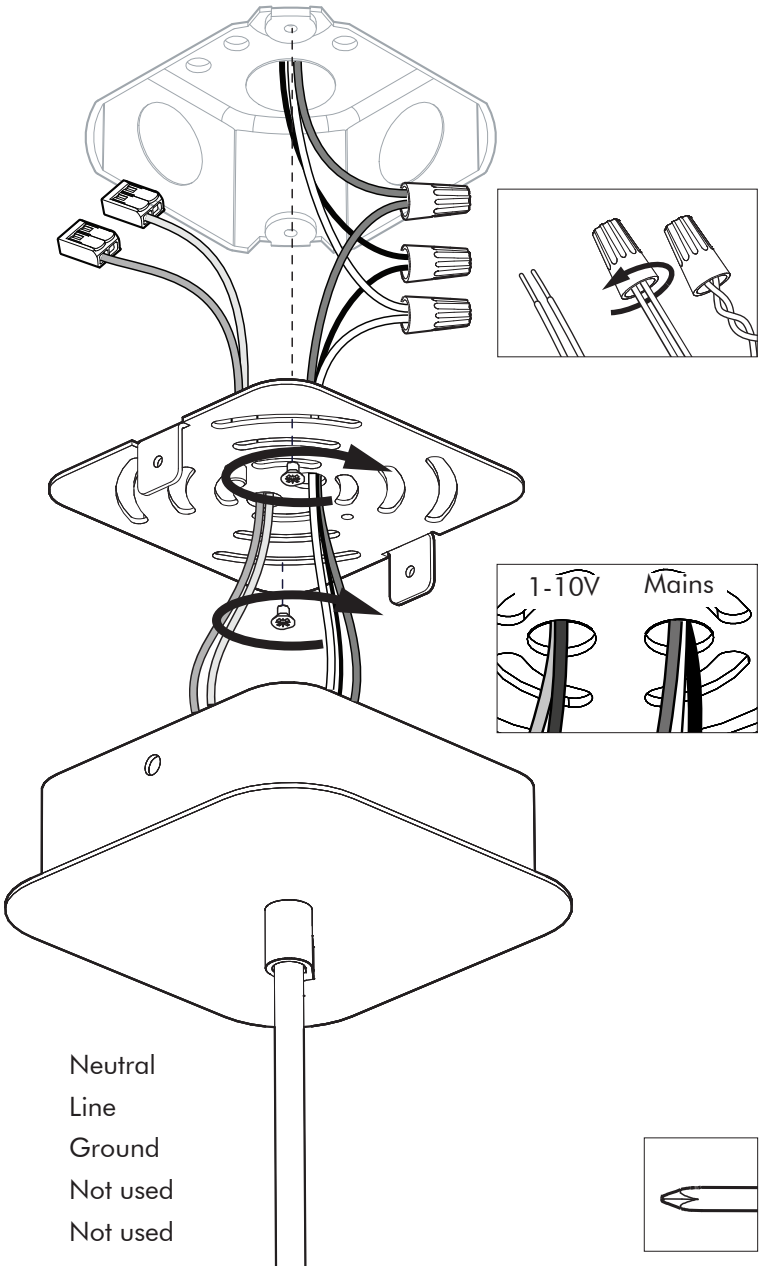


- |        |         |
|--------|---------|
| White  | Neutral |
| Black  | Line    |
| Green  | Ground  |
| Red    | DIM -   |
| Purple | DIM +   |



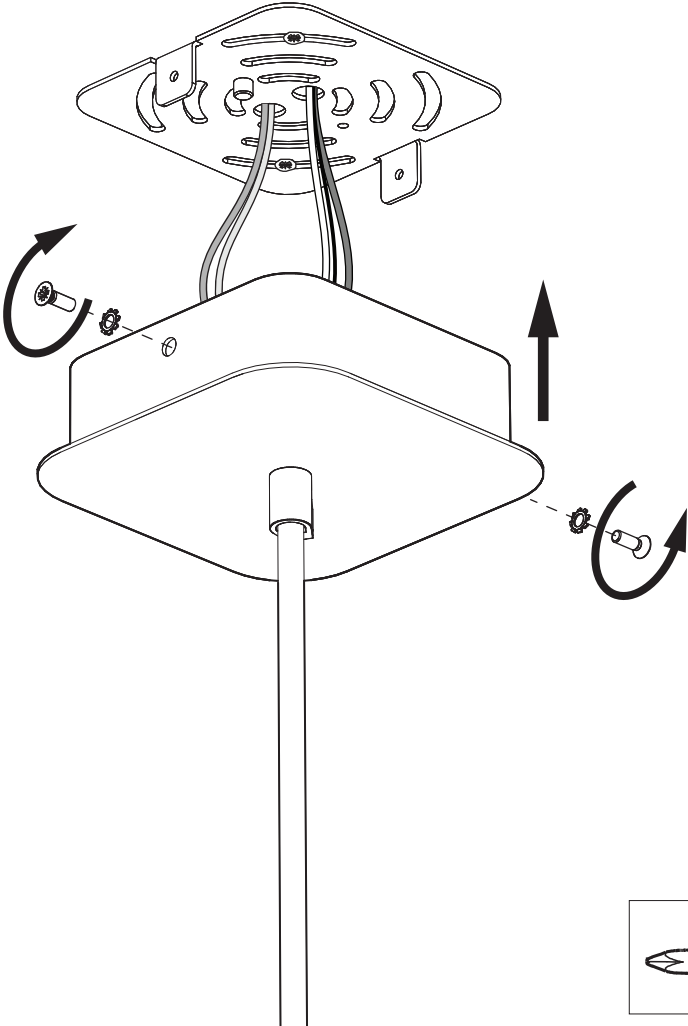
# 12b

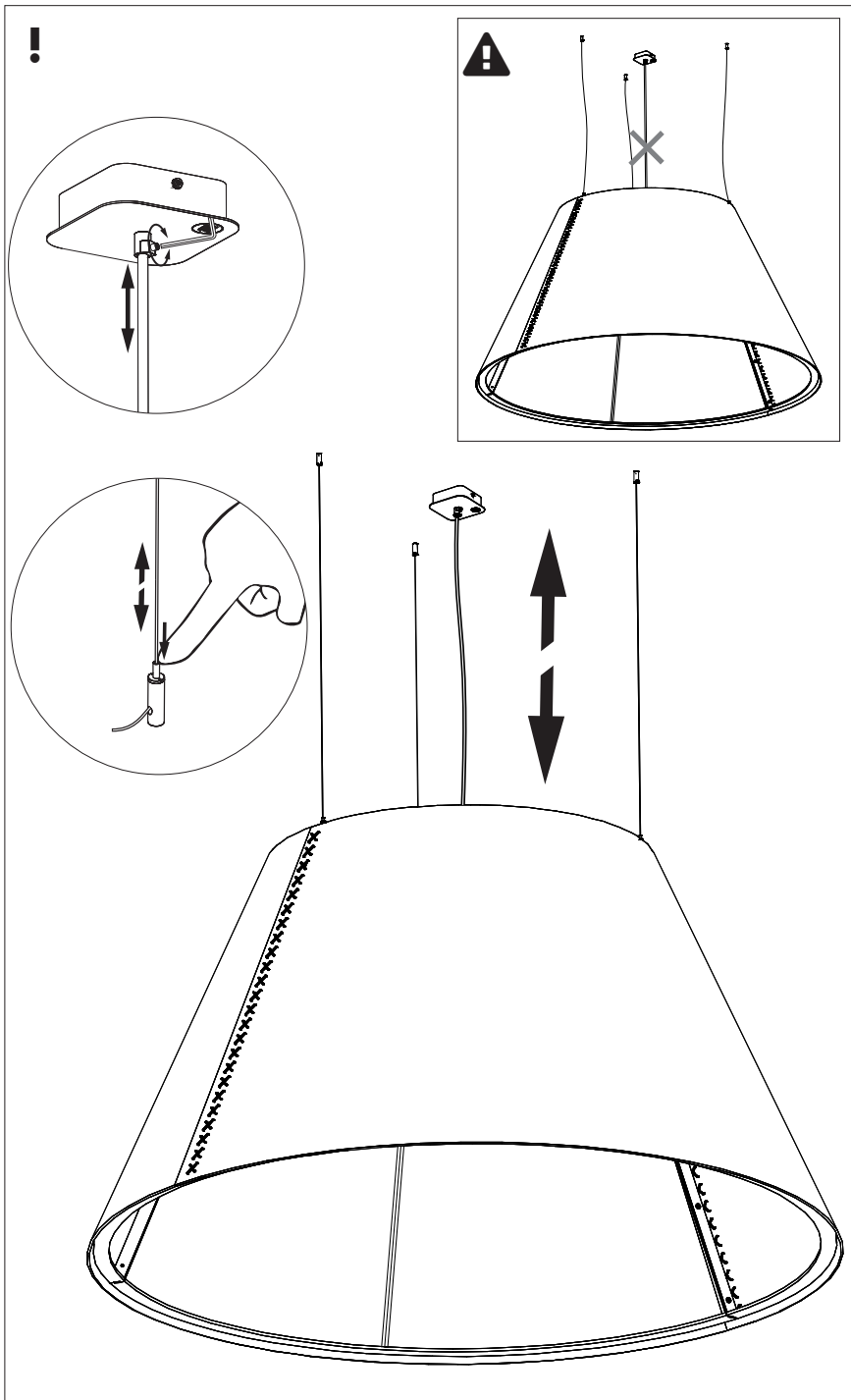
Connection excluding dimmable function



- |        |          |
|--------|----------|
| White  | Neutral  |
| Black  | Line     |
| Green  | Ground   |
| Red    | Not used |
| Purple | Not used |

13







BuzziSpace Group NV  
Italiëlei 8, 2000 Antwerp  
Belgium

☎ +32 (0)3 846 10 00

✉ [info@buzzi.space](mailto:info@buzzi.space)

🌐 [www.buzzi.space](http://www.buzzi.space)



A-0000006813/04  
Last update: 20/08/2024