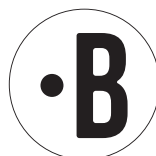
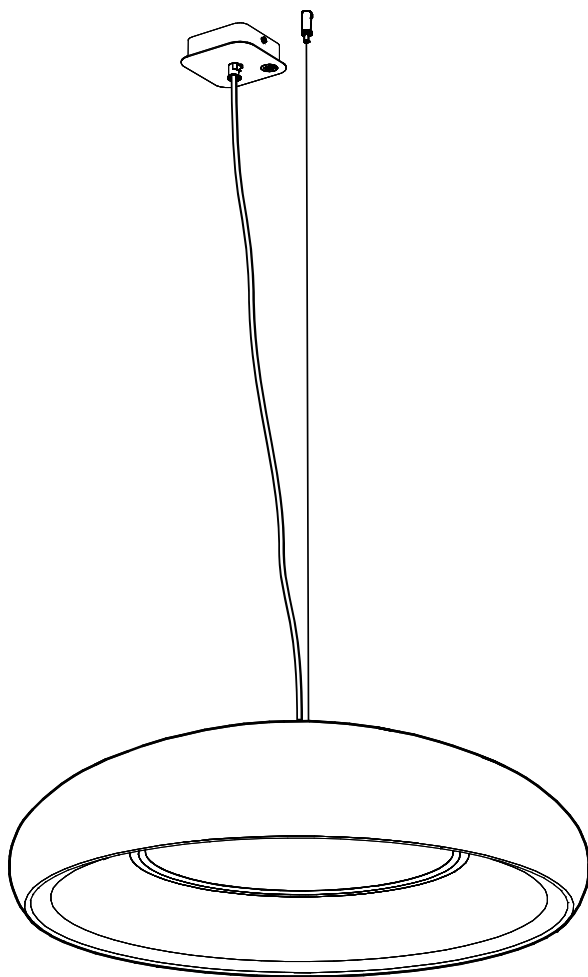


# BuzziDome

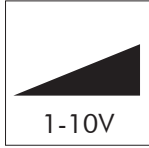
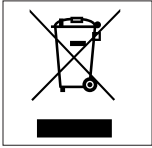
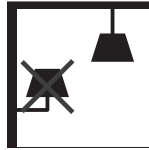
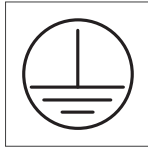
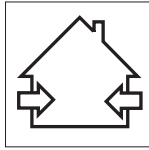
INSTALLATION MANUAL

230V



## Technical info

---



OR



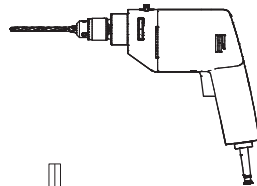
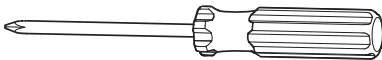
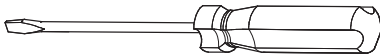
## Environmental Protection

Waste electrical products should not be disposed of with household waste. Please recycle where facilities exist. Check with your Local Authority or retailer for recycling advice.

**⚠** The light source of this luminaire is not replaceable; when the light source reaches its end of life the whole luminaire shall be replaced.

## Excluded

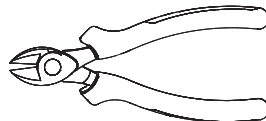
---



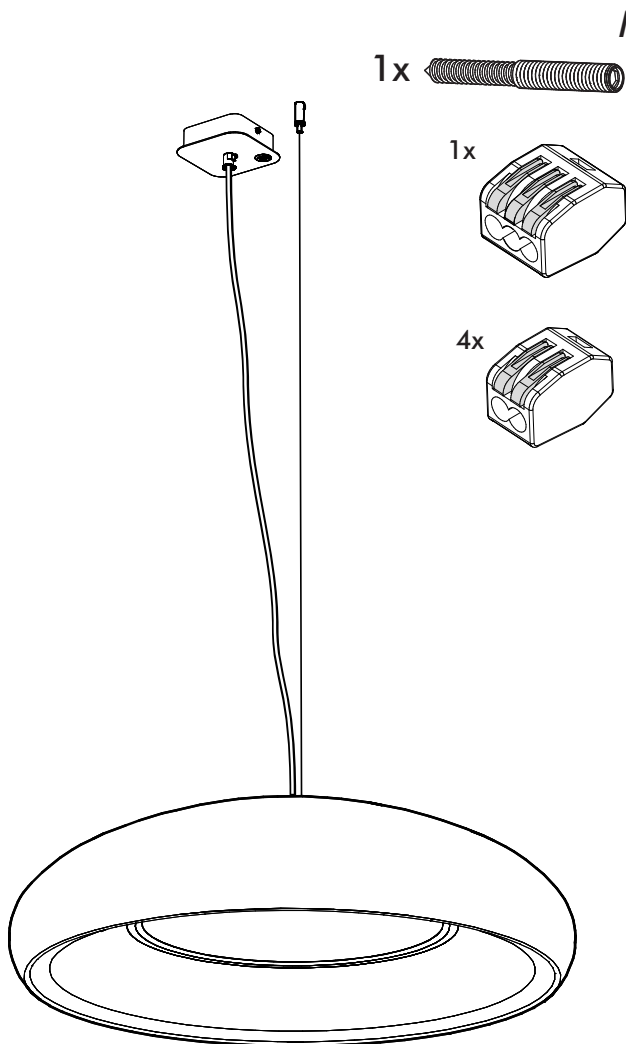
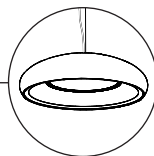
3x 



2x 

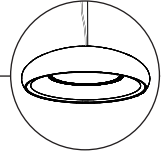


# Included BuzziDome



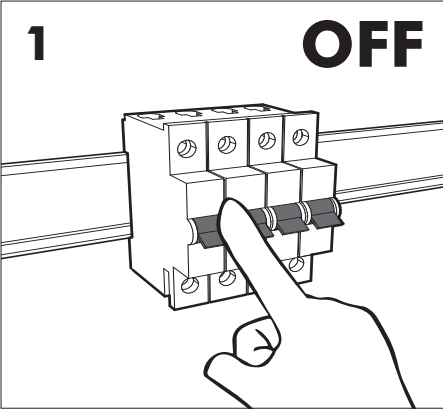
# BuzziDome

2 PERS. 

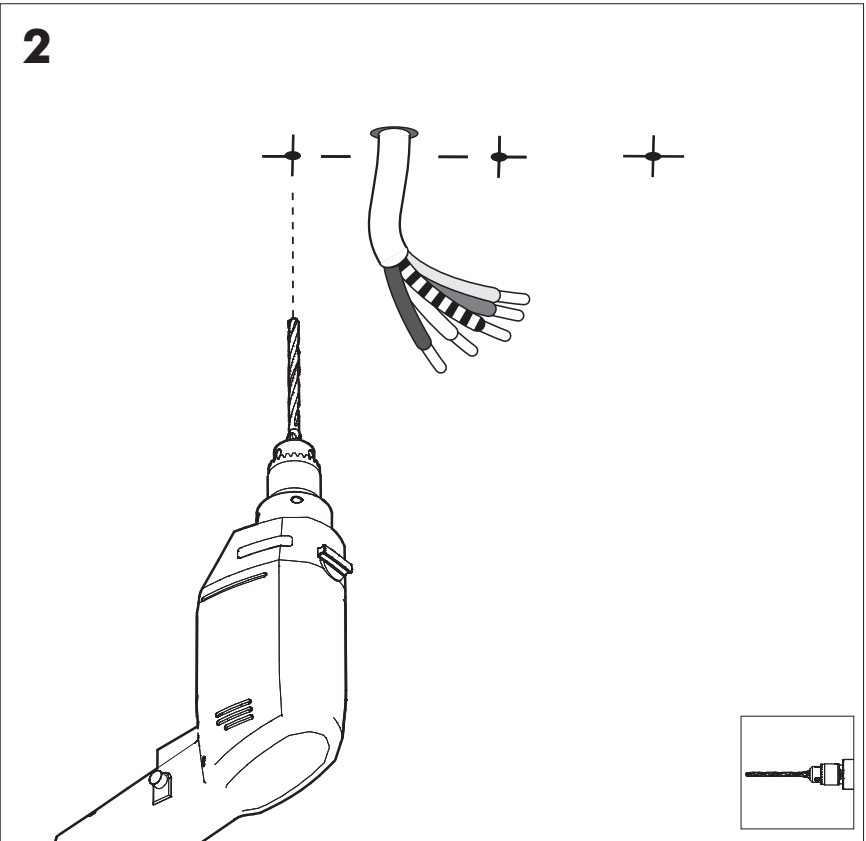


1

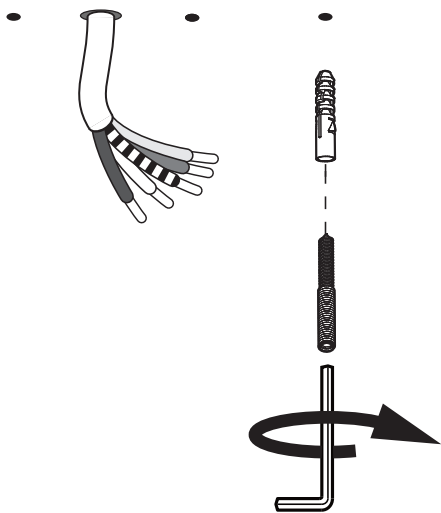
OFF



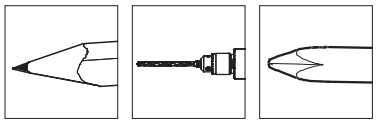
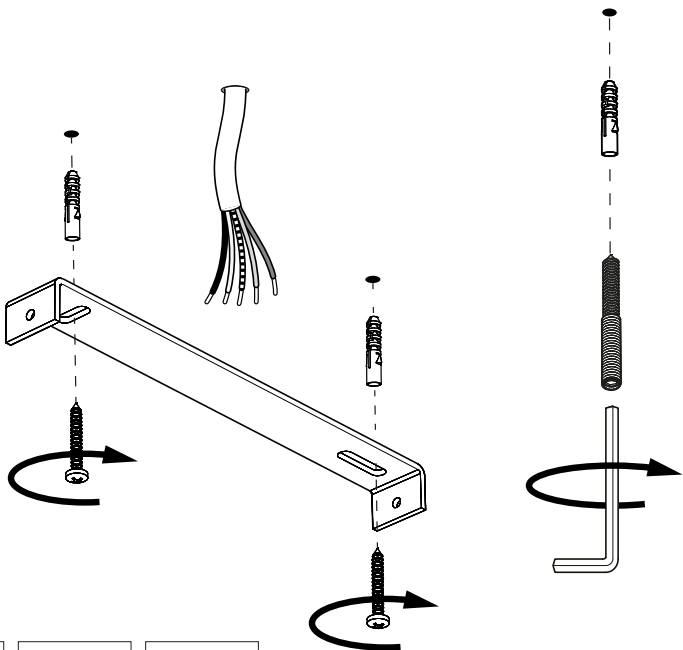
2



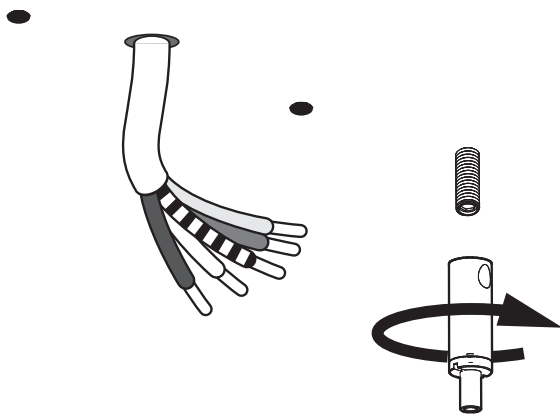
3



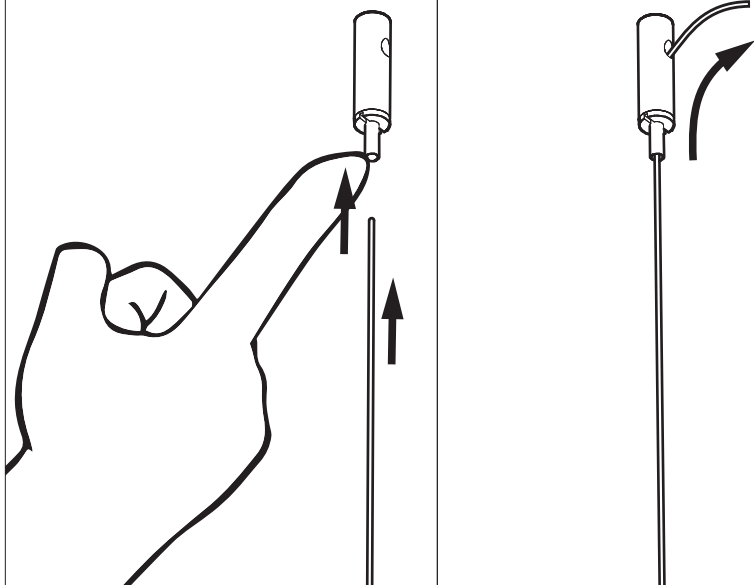
4



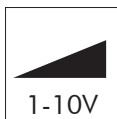
5



6



# 7a



1-10V



DALI



DMX



DST

Connection including dimmable function

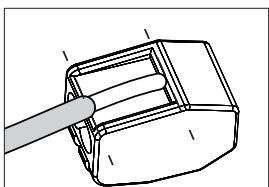


1-10V

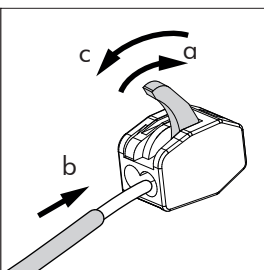
Dim+

Dim-

Blue	Neutral
Brown	Line
Green/Yellow	Ground
White	DIM -
Black	DIM +

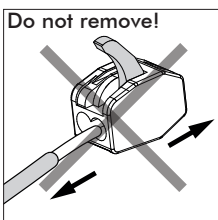
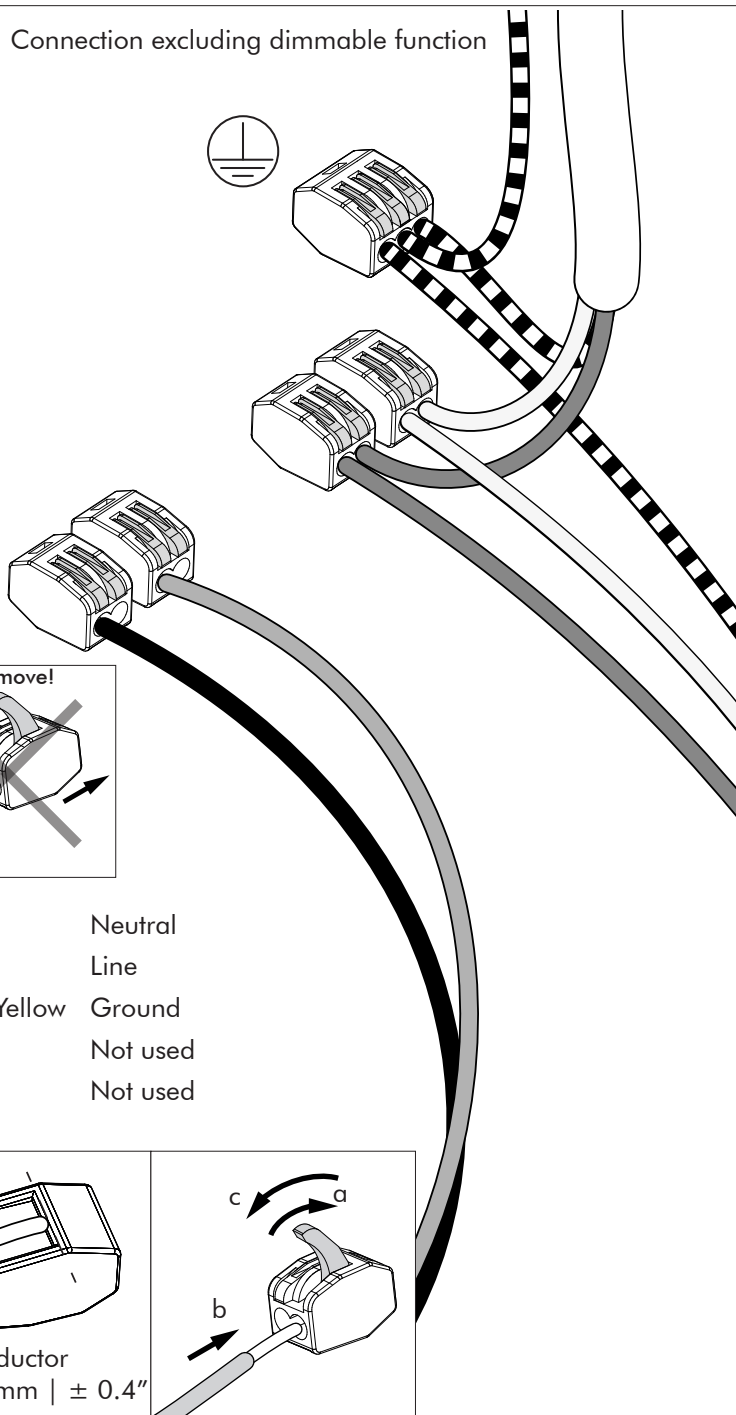


Strip conductor  
to  $\pm 10\text{ mm}$  |  $\pm 0.4''$

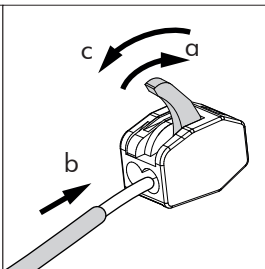
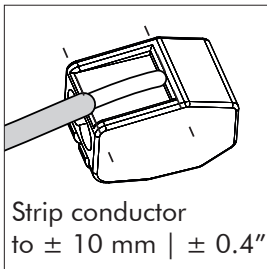


# 7b

## Connection excluding dimmable function

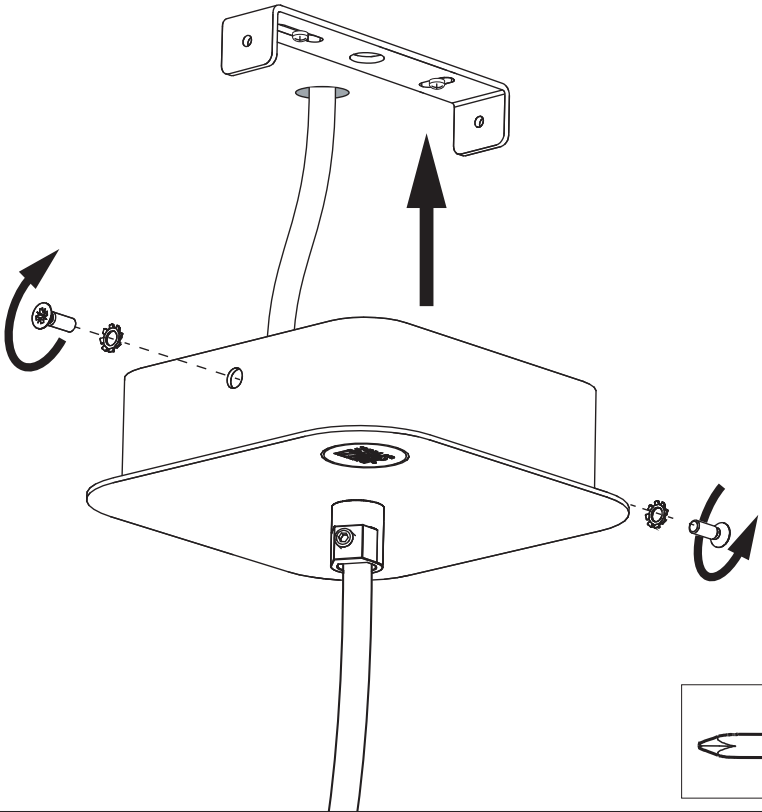


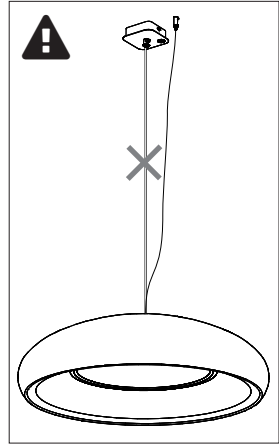
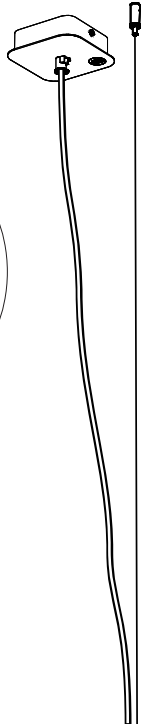
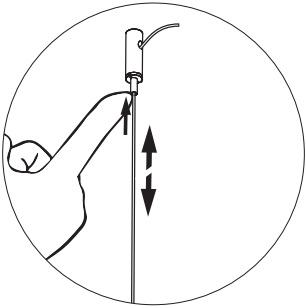
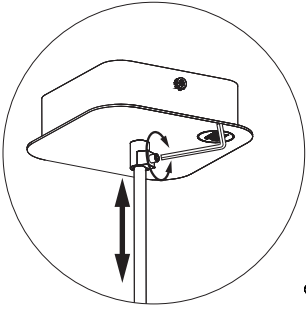
Blue	Neutral
Brown	Line
Green/Yellow	Ground
White	Not used
Black	Not used





8







**BuzziSpace Group NV**  
Italiëlei 8, 2000 Antwerp  
Belgium

☎ +32 (0)3 846 10 00

✉ [info@buzzi.space](mailto:info@buzzi.space)

🌐 [www.buzzi.space](http://www.buzzi.space)



A-0000006729/04  
Last update: 12/08/2024