
BuzziBooth

Product Specification Sheet

This document contains technical information about the BuzziBooth








www.buzzi.space

Upholstered temporary workstation

There has been a big shift toward working in open-plan offices that have a loft-like feeling of home. While there are many benefits, the challenge is maintaining space to make a phone call or work quietly and independently. Designer Alain Gilles' solution is the BuzziBooth: a phonebooth made of sound absorbing felt that dampens outside sounds. Now you can have a moment alone even in the noisiest of surroundings. Micro-architecture for maxi spaces!

Design by Alain Gilles

General

-  BuzziBooth Single
-  Pattern: Inside: 3D Rib or 3D Diamond
Outside: Flat
-  Structure: Poplar plywood: 18 mm | 0.71"
Cover: Inside: acoustic foam covered with fabric
Outside: layer of felt covered with fabric
-  Flat Packed
-  Light Panel
Bicolor

Acoustics



Absorption



Diffusion



Attenuation



Mid tones



High tones

Certifications



Content

Configurations	3
Pattern	6
Fabrics	6
Dimensions	8
Dimensions Worktop	11
Option BackLight / LightPanel	13

Configurations

BuzziBooth Single

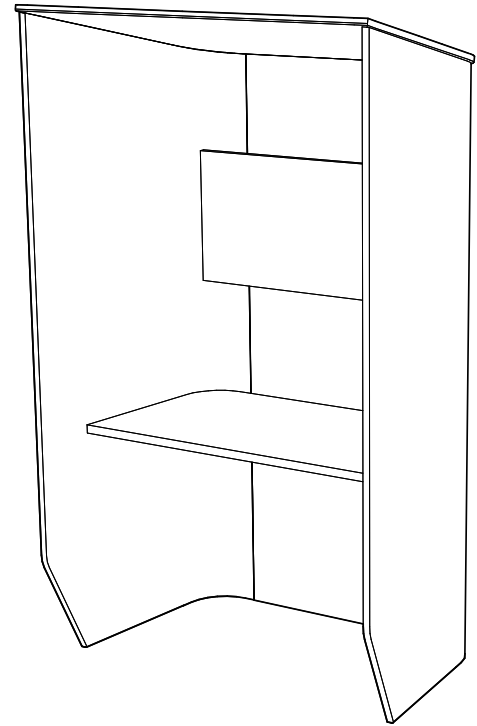
- Single
 - Pattern: Inside: 3D Rib or 3D Diamond
 - Outside: Flat
 - Worktop upholstered

- Core: Poplar plywood: 18 mm | 0.71"
- Cover: Inside: acoustic foam covered with fabric
- Outside: layer of felt covered with Fabric

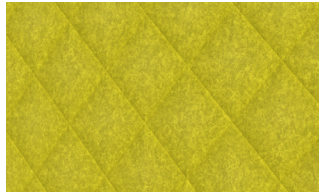
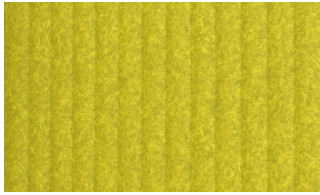
- Standard: Height: 216 cm | 85.04"
Width: 129 cm | 50.79"
Depth: 120 cm | 47.24"
- Lightboard: Height: 43,5 cm | 17.13"
Width: 93 cm | 36.61"
- Packaging: Height: 142,5 cm | 56.10"
Width: 44 cm | 17.32"
Depth: 228,5 cm | 89.96"

- Booth: 88 kg | 194.01 lbs
- Packaging (including Booth): 120,5 kg | 265.66 lbs

- LightPanel EU/ US/ UK (optional)
- Worktop Antwerp Oak
- Worktop Antwerp Oak cable tray
- Worktop White Laminate



Pattern

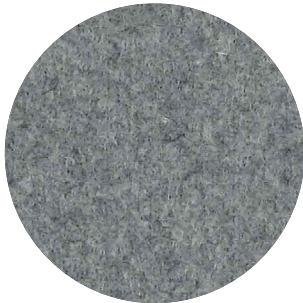


Pattern inside:
Booth Single : 3D Rib or 3D Diamond

Fabrics

BuzziBooth Single: Fabric, Trevira CS+

Fabric (45 colors)



Category A

Composition 70% Recycled Wool, 25% Recycled Polyacryl,
5% Recycled Other Fabrics

Weight 405 g/m² | 11.94 oz/yd²

Abrasion resistance 40.000 Martindale, 50,000 Wyzenbeek

Flammability EU: EN 1021.1/2006 | BS EN 1021.1/2006 (cigarette).
EN 1021.2/2006 | BS EN 1021.2/2006 (match)
USA: CAL TB 117 | ASTM E84 CLASS A

Fastness to light EU: 4 | USA 4

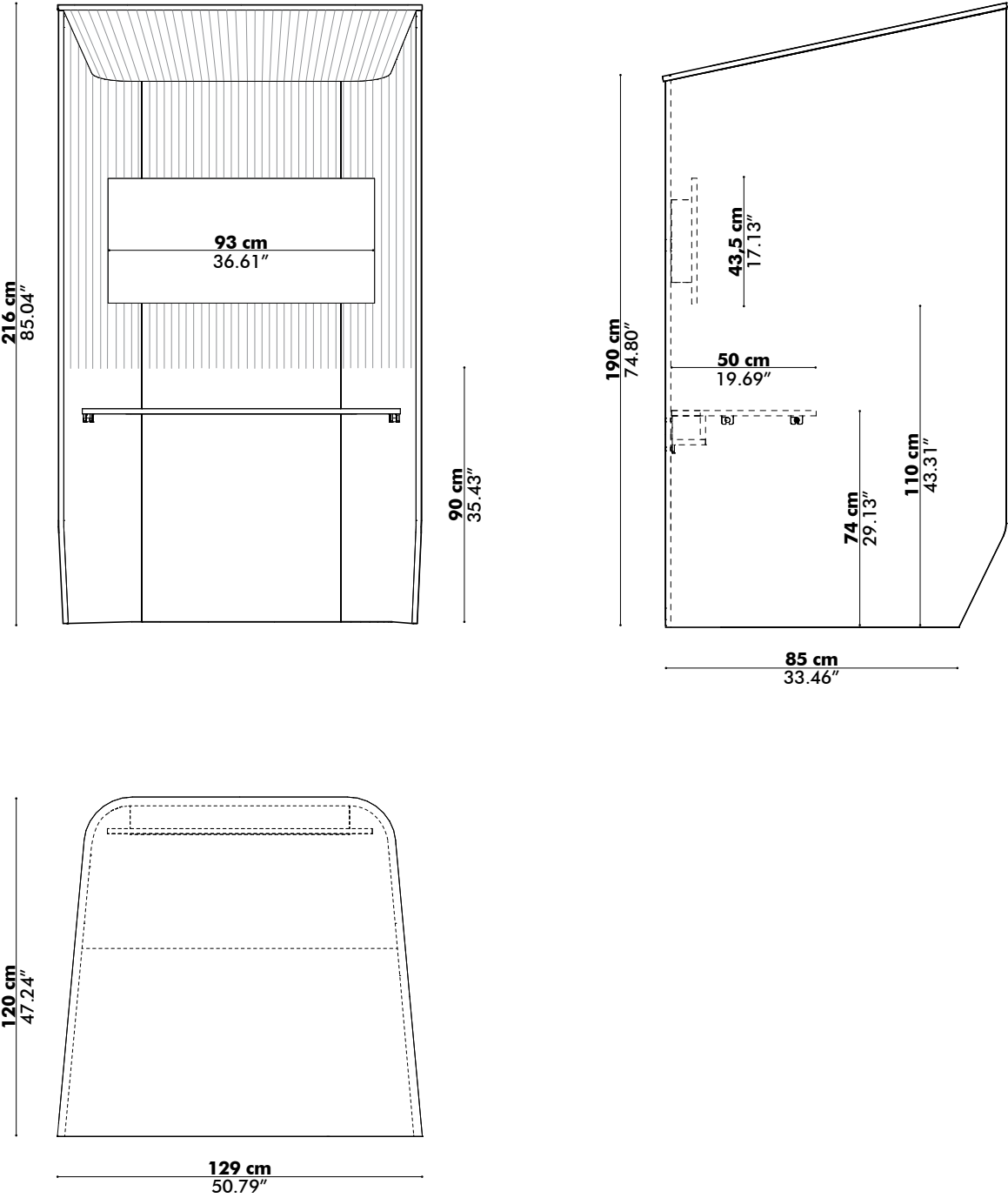
Fastness to rubbing EU: Wet 3-4 | Dry 4-5

Fastness to crocking USA: Wet 5 | Dry 5



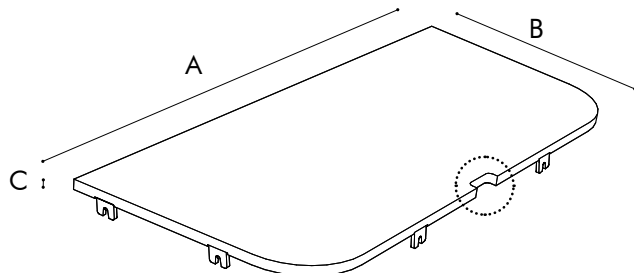
Dimensions

BuzziBooth Single

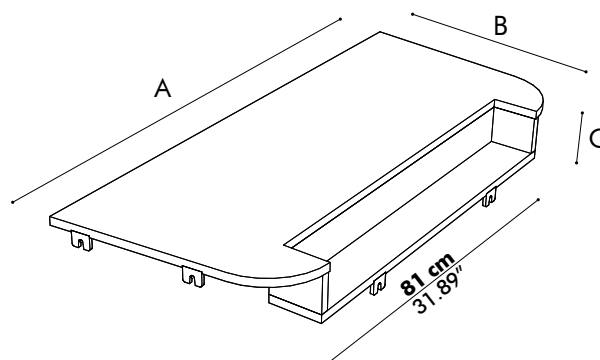


Dimensions Worktop

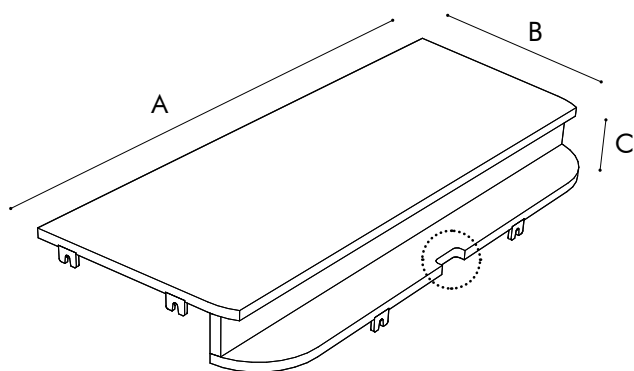
Worktop in Antwerp Oak | White Laminate
without cabletray



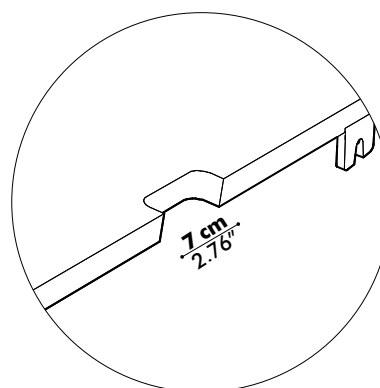
Upholstered worktop with cabletray



Worktop in Antwerp Oak
with cabletray



Detail



BuzziBooth Single

	'A' Width	'B' Depth	'C' Height	Weight
Upholstered worktop with cabletray	110 cm 43.31"	50 cm 19.69"	12 cm 4.72"	5,4 kg 11.90 lbs
Worktop in White Laminate- without cabletray	110 cm 43.31"	50 cm 19.69"	2 cm 0.79"	7,6 kg 16.76 lbs
Worktop in Antwerp Oak* without cabletray	110 cm 43.31"	50 cm 19.69"	2 cm 0.79"	8 kg 17.64 lbs
Worktop in Antwerp Oak* with cabletray	110 cm 43.31"	50 cm 19.69"	12 cm 4.72"	10,3 kg 22.71 lbs

*These solid wood worktops may contain knots, natural color variations and drying splits as normal features of the product. This contributes to the uniqueness of each worktop.

Option BackLight / LightPanel

General

- 💡 Connectable integrated LED tube
- 🌲 Material: Aluminum body, Clear PC cover
- LED: SMD 3014
- 💡 Color temperature: 3000 Kelvin
- Input Voltage / Frequency: 100 - 277 V 50/60Hz



Certifications

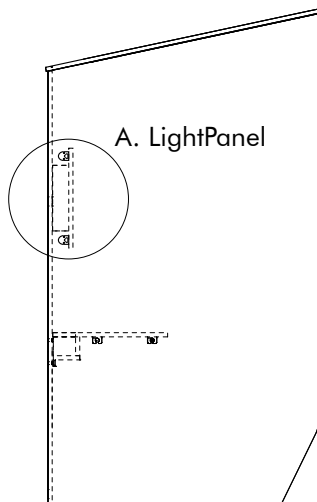
cULus Listed E471267 or ETL Certified
CE

Specifications per element

Wattage: 7W / element
Lumen: 700 ±10% / element
Length: 55,5 cm - 21.85" / element
1 On-Off switch / element

Accessories

Power cable: White
4 m – 157.48"
Type B Plug (US, ...), Type G Plug (UK, ...) or Schuko Plug (BE, NL,...)
Mounting clips
Connector accessories



BuzziBooth

Single

Qty LED tubes	2
Total wattage	14W
LED tube dimensions	2x 55,5 cm 2x 21.85"
Total lumen	700 up 700 down
Power cable (4 m)	1

Configurations

Two LED tube elements linked by a 50 cm - 19.69" connection cable, located behind the light panel, positioned on top and bottom of the light panel. LED tubes are pre-installed onto the light panel.